



US00D876883S

(12) **United States Design Patent**
Cheng

(10) **Patent No.:** **US D876,883 S**
(45) **Date of Patent:** **** Mar. 3, 2020**

(54) **PORTABLE, MODULAR COFFEE GRINDER**

(71) Applicant: **MISAINÉ TRADE, INC.**, Torrance,
CA (US)

(72) Inventor: **Benjamin Cheng**, Rolling Hills, CA
(US)

(73) Assignee: **MISAINÉ TRADE, INC.**, Torrance,
CA (US)

(**) Term: **15 Years**

(21) Appl. No.: **29/660,027**

(22) Filed: **Aug. 14, 2018**

(51) **LOC (12) Cl.** **07-04**

(52) **U.S. Cl.**
USPC **D7/373; D7/679**

(58) **Field of Classification Search**
USPC D7/679, 590–597, 372, 373, 374;
D9/500, 503, 504

CPC ... A21C 1/04; A47J 42/34; A47J 42/00; A47J
42/04; A47J 42/14; A47J 42/18; A47J
42/24; A47J 42/42; A47J 42/46; A47J
42/06; A47J 42/08; A47J 42/40; A47J

(Continued)

(56) **References Cited**

U.S. PATENT DOCUMENTS

43,374 A * 6/1864 Witmer B02C 18/007
241/100
455,818 A 7/1891 Mader et al.
(Continued)

Primary Examiner — Terry A Wallace

(74) *Attorney, Agent, or Firm* — Knobbe Martens Olson
& Bear LLP

(57) **CLAIM**

The ornamental design for a portable, modular coffee grinder, as shown and described.

DESCRIPTION

FIG. 1 is a perspective view of an embodiment of a portable, modular coffee grinder.

FIG. 2 is a front-side view of the portable, modular coffee grinder of FIG. 1.

FIG. 3 is a rear-side view of the portable, modular coffee grinder of FIG. 1.

FIG. 4 is a left-side view of the portable, modular coffee grinder of FIG. 1.

FIG. 5 is a right-side view of the portable, modular coffee grinder of FIG. 1.

FIG. 6 is a top view of the portable, modular coffee grinder of FIG. 1.

FIG. 7 is a bottom view of the portable, modular coffee grinder of FIG. 1.

FIG. 8 is a bottom, perspective view of an embodiment of the portable, modular coffee grinder of FIG. 1.

FIG. 9 is a perspective view of a second embodiment of a portable, modular coffee grinder of FIG. 1.

FIG. 10 is a front-side view of the portable, modular coffee grinder of FIG. 9.

FIG. 11 is a rear-side view of the portable, modular coffee grinder of FIG. 9.

FIG. 12 is a left-side view of the portable, modular coffee grinder of FIG. 9.

FIG. 13 is a right-side view of the portable, modular coffee grinder of FIG. 9.

FIG. 14 is a top view of the portable, modular coffee grinder of FIG. 9.

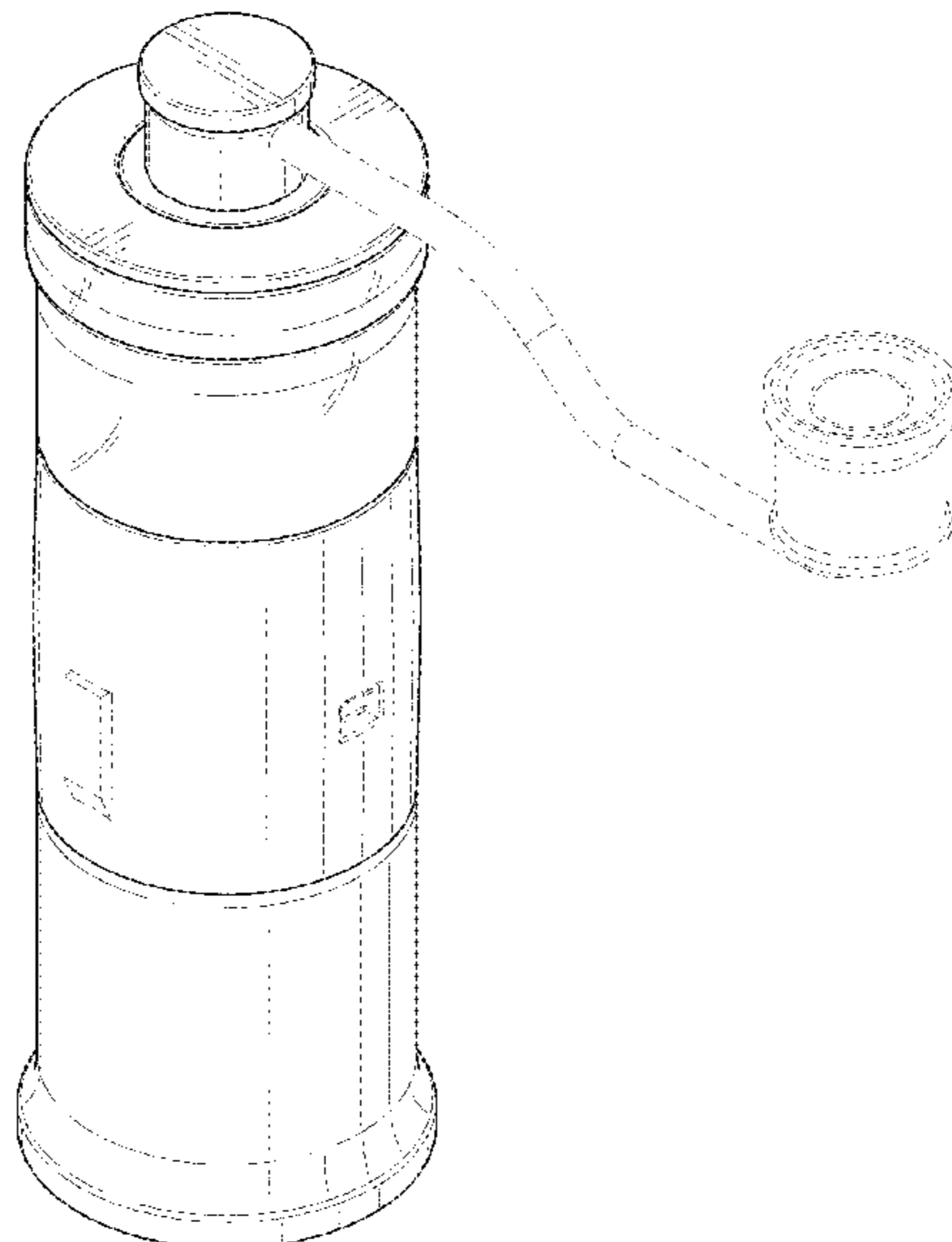
FIG. 15 is a bottom view of the portable, modular coffee grinder of FIG. 9; and,

FIG. 16 is a bottom, perspective view of an embodiment of the portable, modular coffee grinder of FIG. 9.

The features shown in broken lines in FIGS. 1-8 are not shown in FIGS. 9-16, respectively.

The broken lines disclosing the environment related to the claimed design are for illustrative purposes only, and form no part of the claimed design. The broken lines also obscure certain features in some views.

1 Claim, 16 Drawing Sheets



(58) **Field of Classification Search**

CPC 43/04; A47J 43/044; A47J 43/0722; A47J
 43/06; A47J 43/25; A47J 43/255; A24C
 5/40; B02C 18/08; B02C 18/24; B02C
 18/16

See application file for complete search history.

(56) **References Cited**

U.S. PATENT DOCUMENTS

578,560 A 3/1897 Griswold
 2,671,617 A 3/1954 Talge
 4,135,672 A * 1/1979 Schlessel A47J 42/04
 241/169.1
 D269,489 S * 6/1983 Akita D7/372
 4,588,136 A 5/1986 Homma
 4,771,955 A 9/1988 Paulson
 5,513,810 A 5/1996 Lin

5,651,506 A * 7/1997 Hockey A47G 19/24
 222/142.1
 5,722,606 A 3/1998 Wu
 D486,702 S * 2/2004 Sorensen D7/679
 D530,993 S * 10/2006 Kolflat D7/679
 7,204,440 B2 4/2007 Fouse et al.
 D609,535 S * 2/2010 Kavanaugh D7/679
 D671,787 S * 12/2012 Lin D7/300.1
 D700,006 S * 2/2014 Braune D7/373
 D700,007 S * 2/2014 Braune D7/373
 D787,280 S * 5/2017 Moreau D7/679
 D830,138 S * 10/2018 Zhang D7/679
 2005/0035233 A1 2/2005 Fredericks
 2009/0095832 A1 * 4/2009 Wu A47J 42/40
 241/169.1
 2013/0193246 A1 8/2013 Roberts, Jr.
 2016/0135646 A1 5/2016 Cacciamani et al.
 2016/0227959 A1 8/2016 Yoon
 2017/0231419 A1 8/2017 Chen
 2017/0319009 A1 11/2017 Seckel et al.

* cited by examiner

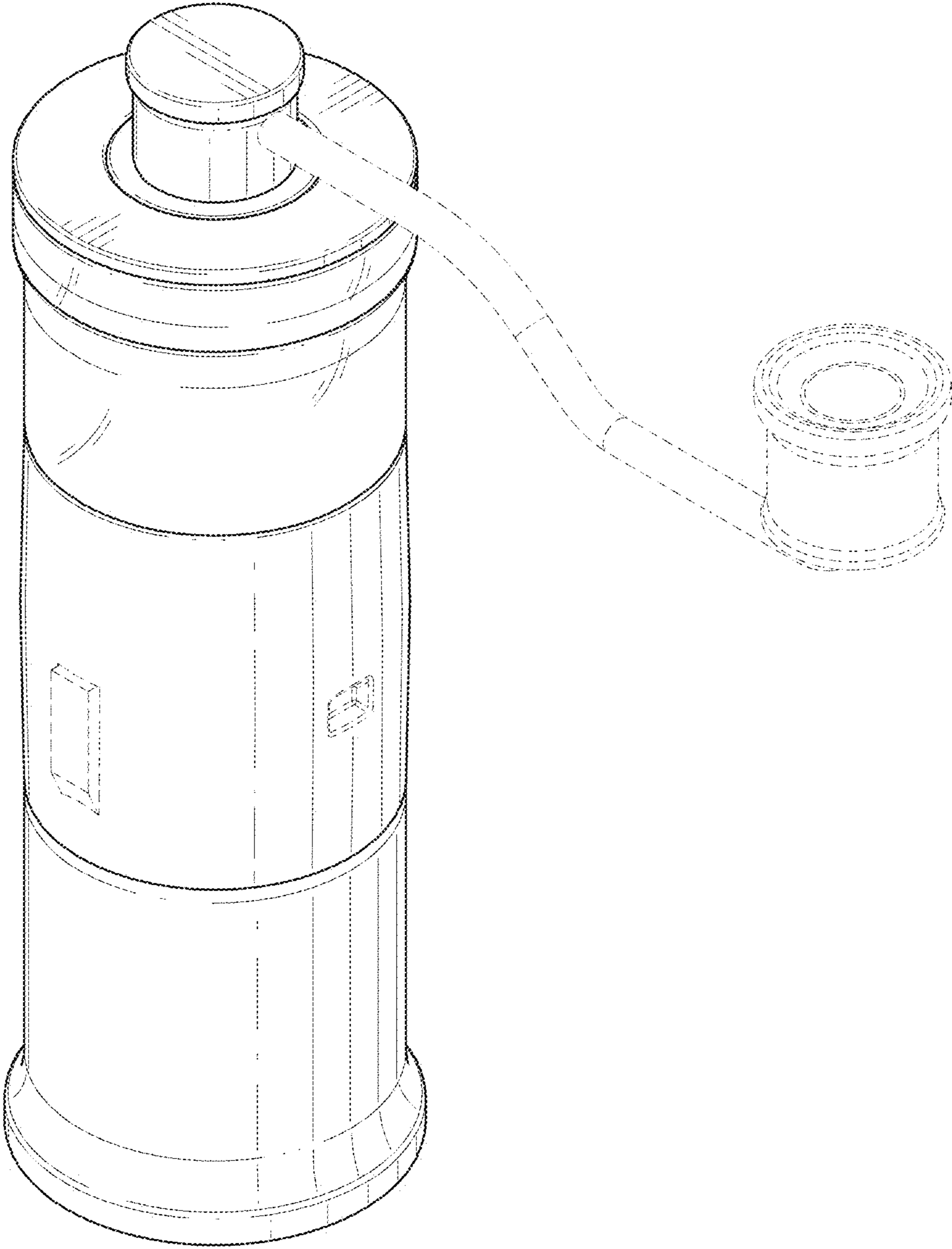


FIG. 1

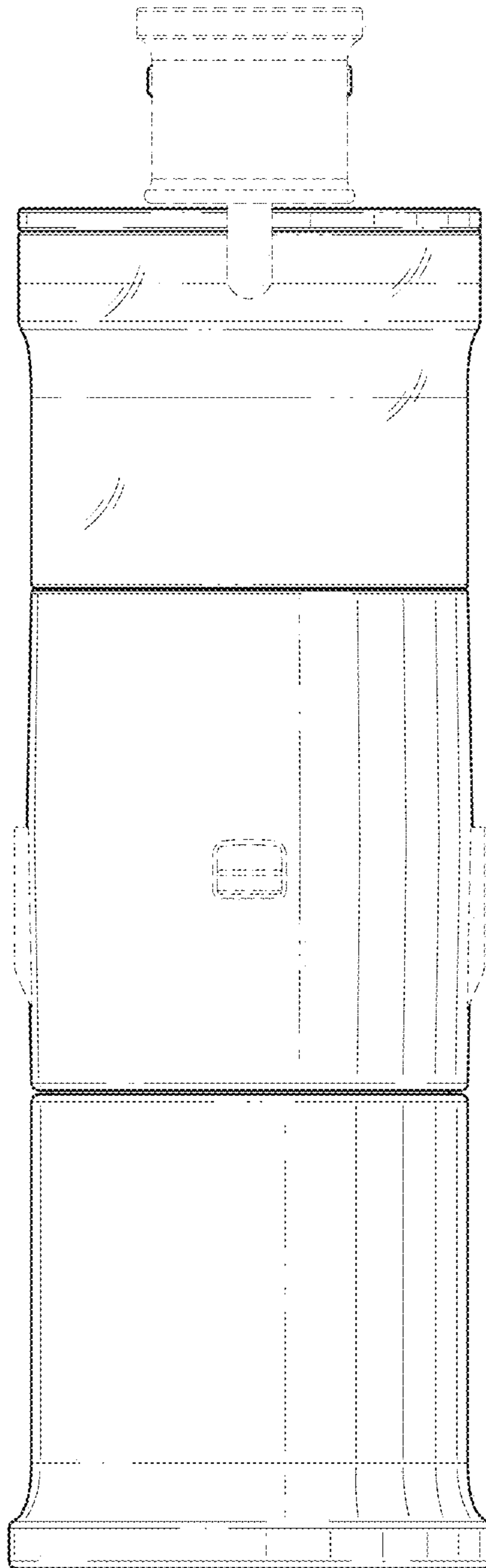


FIG. 2

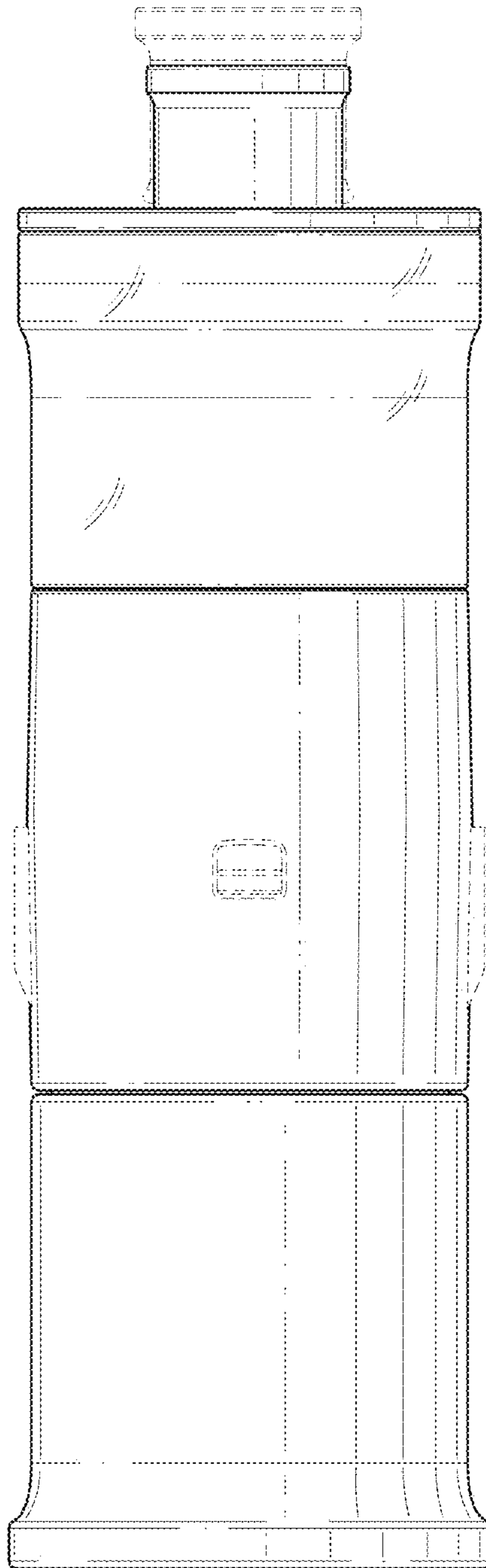


FIG. 3

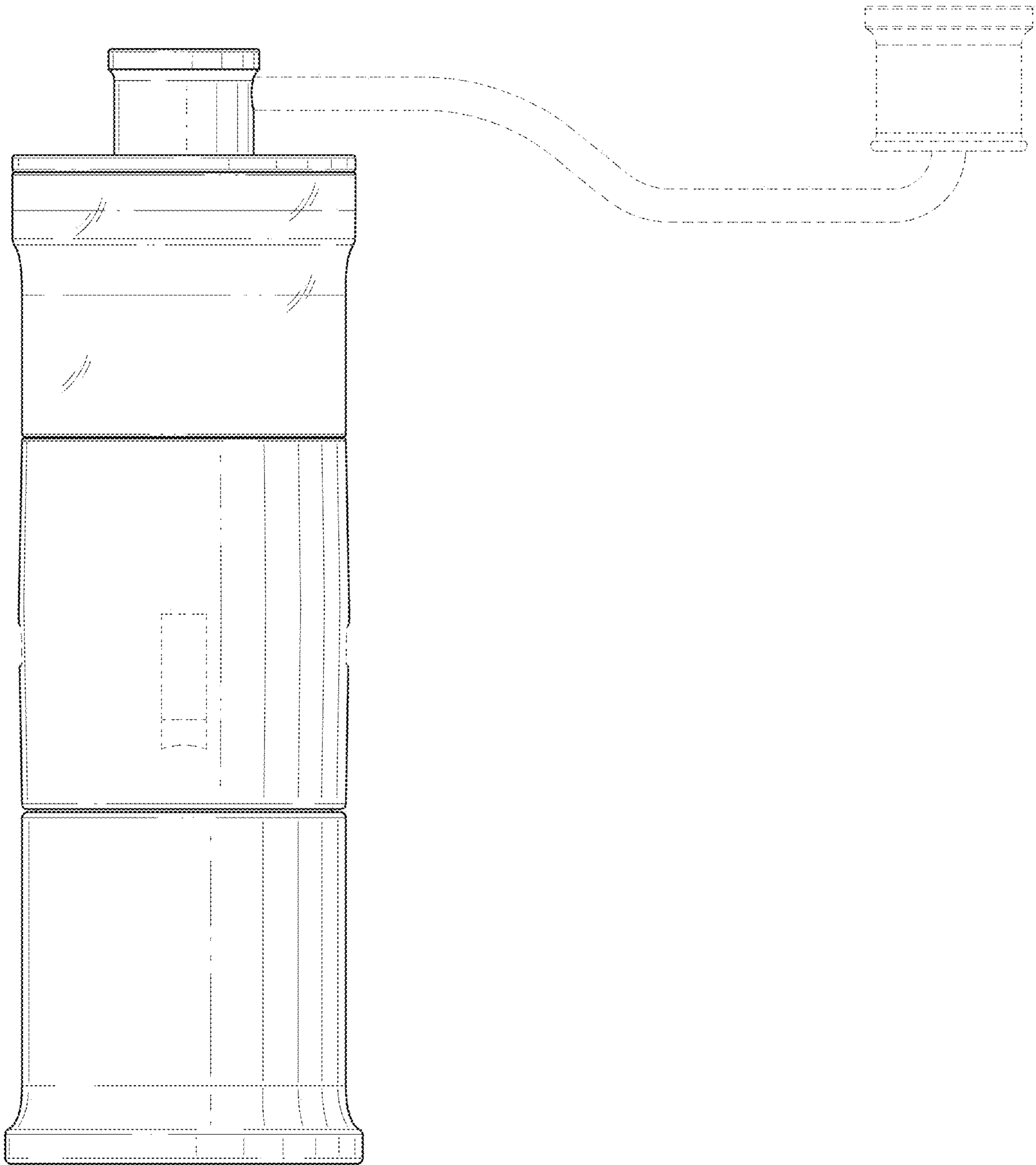


FIG. 4

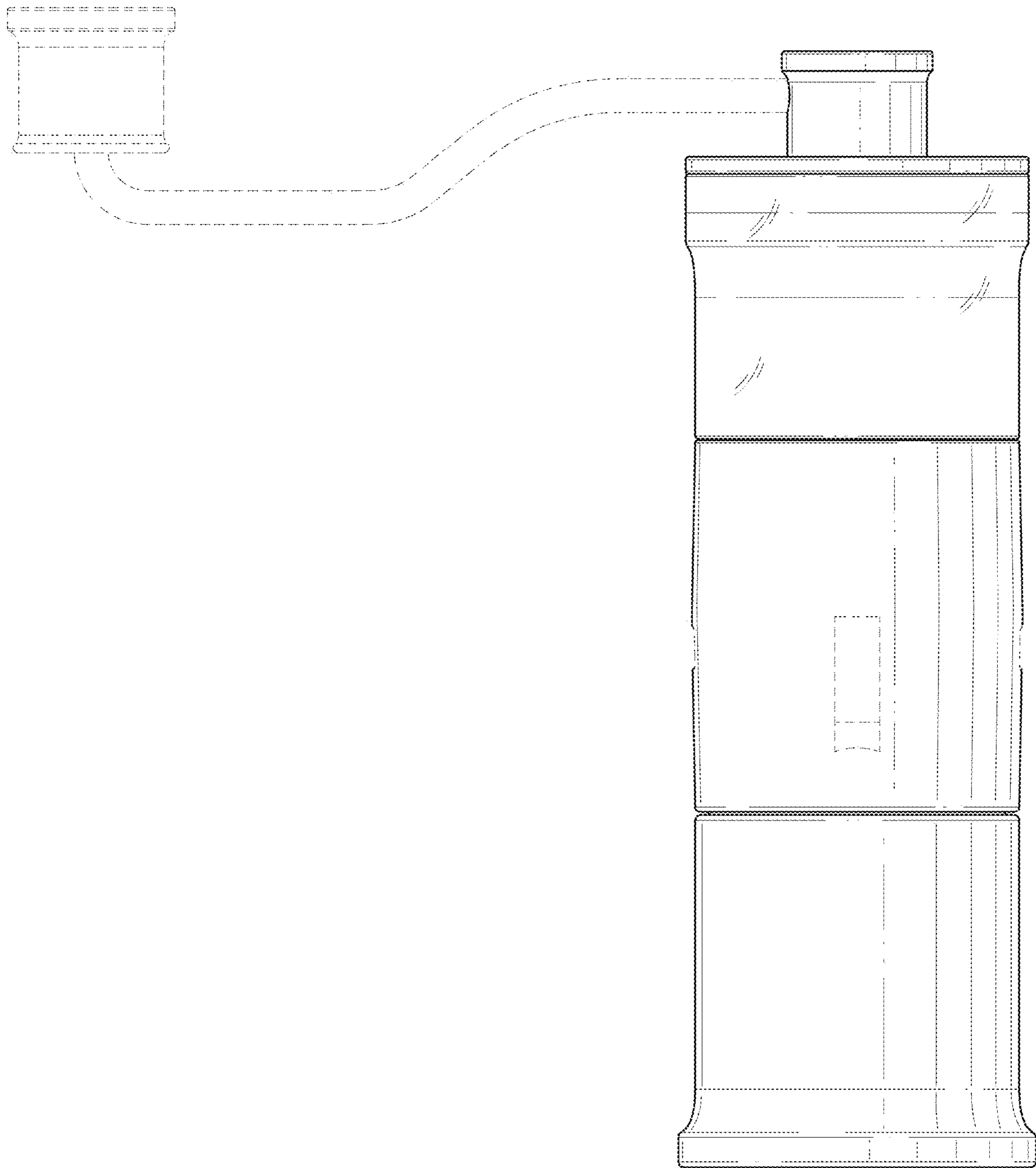


FIG. 5

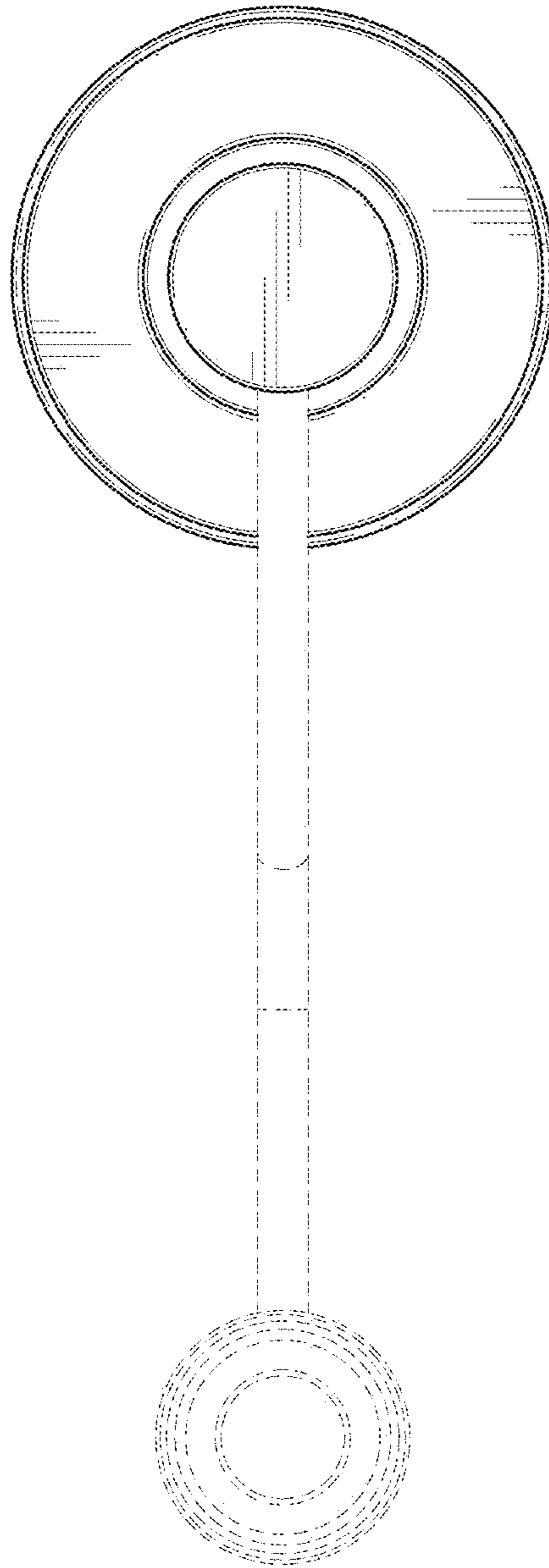


FIG. 6

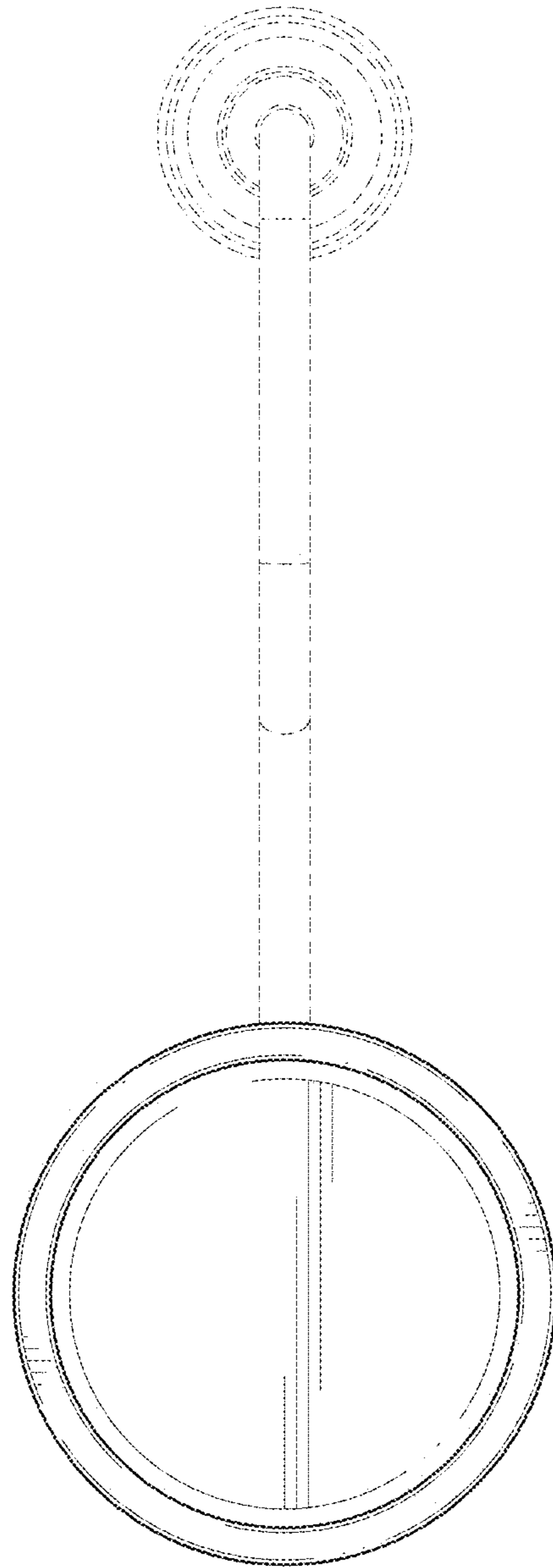


FIG. 7

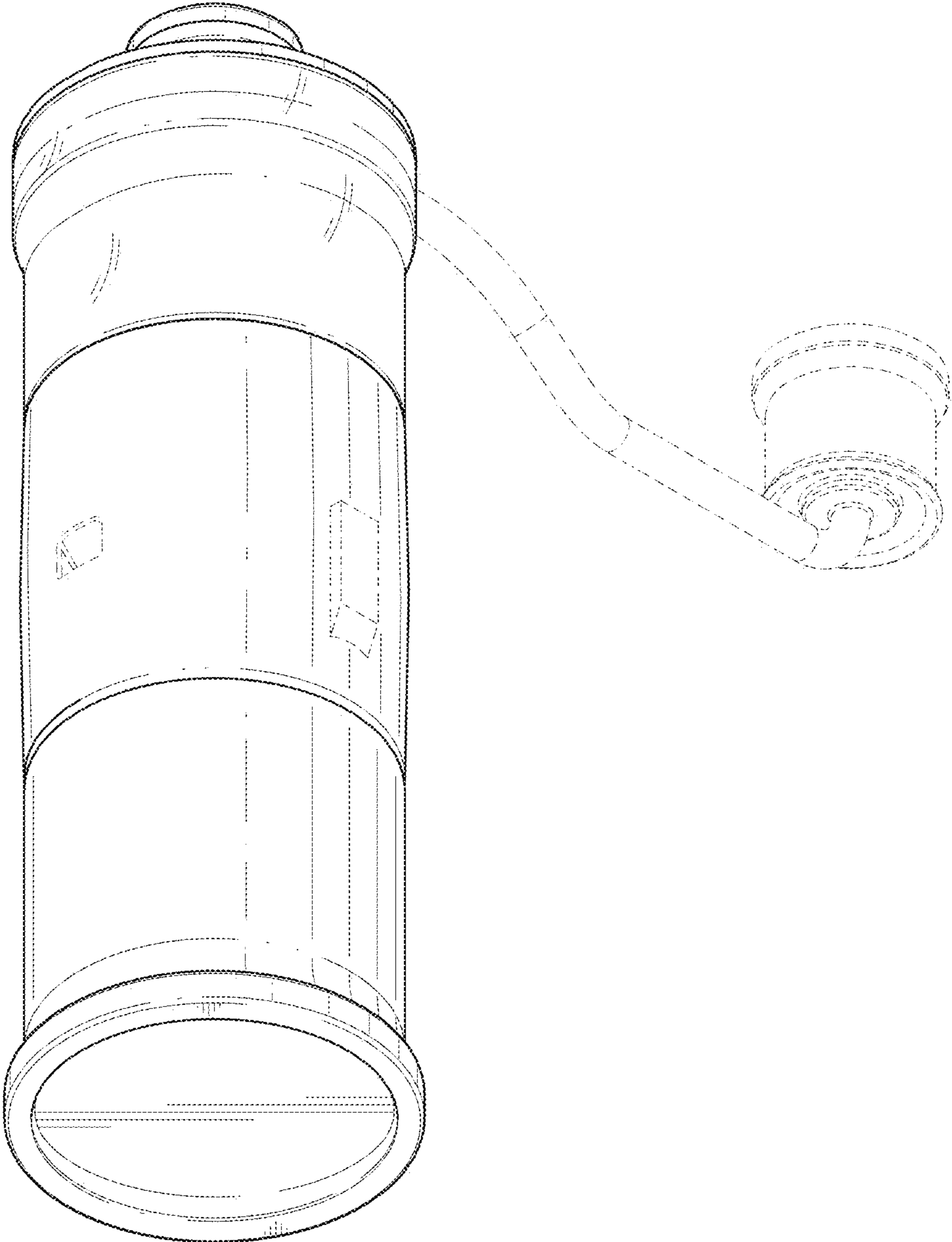


FIG. 8

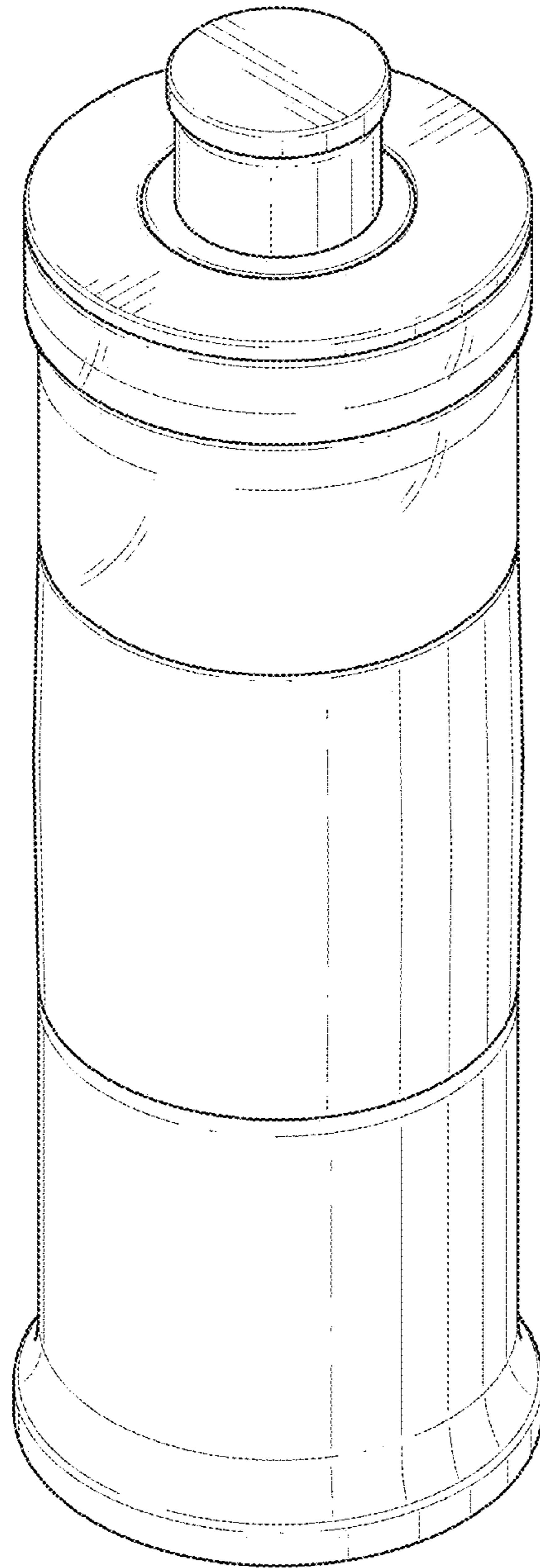


FIG. 9

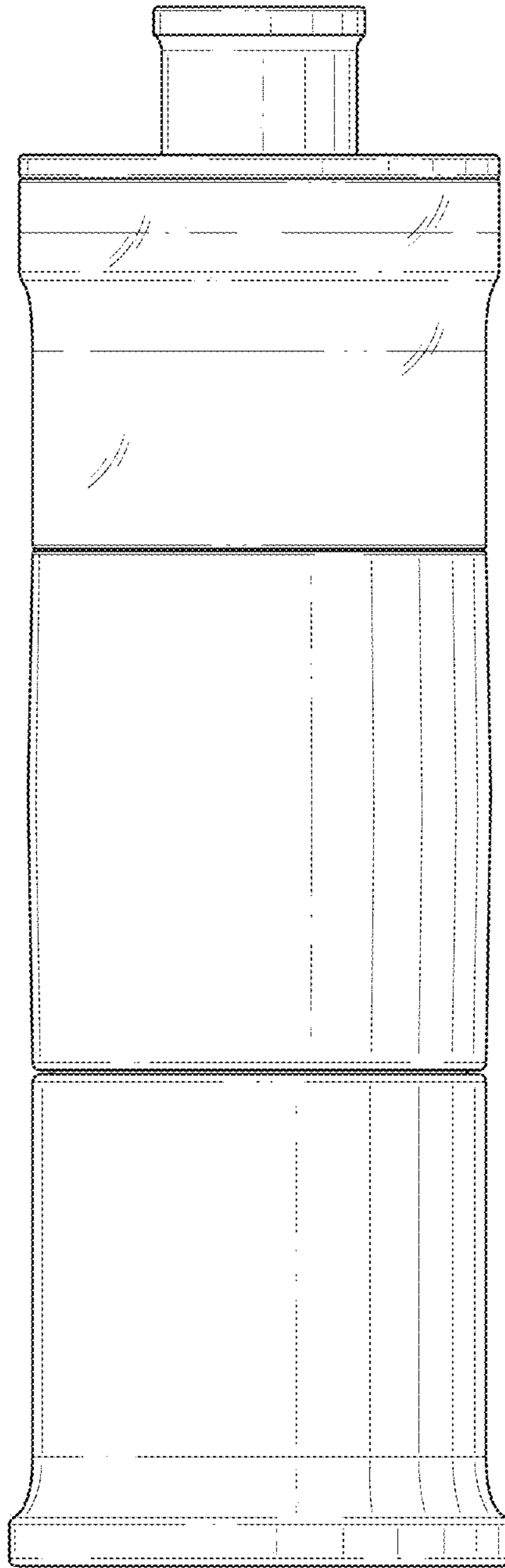


FIG. 10

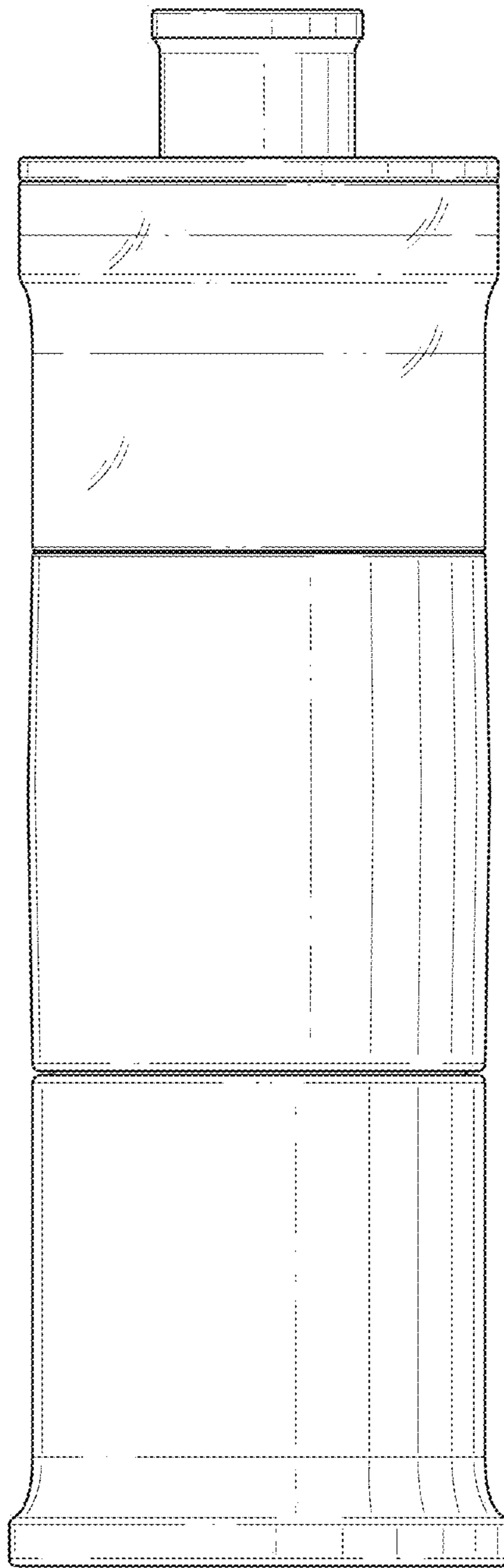


FIG. 11

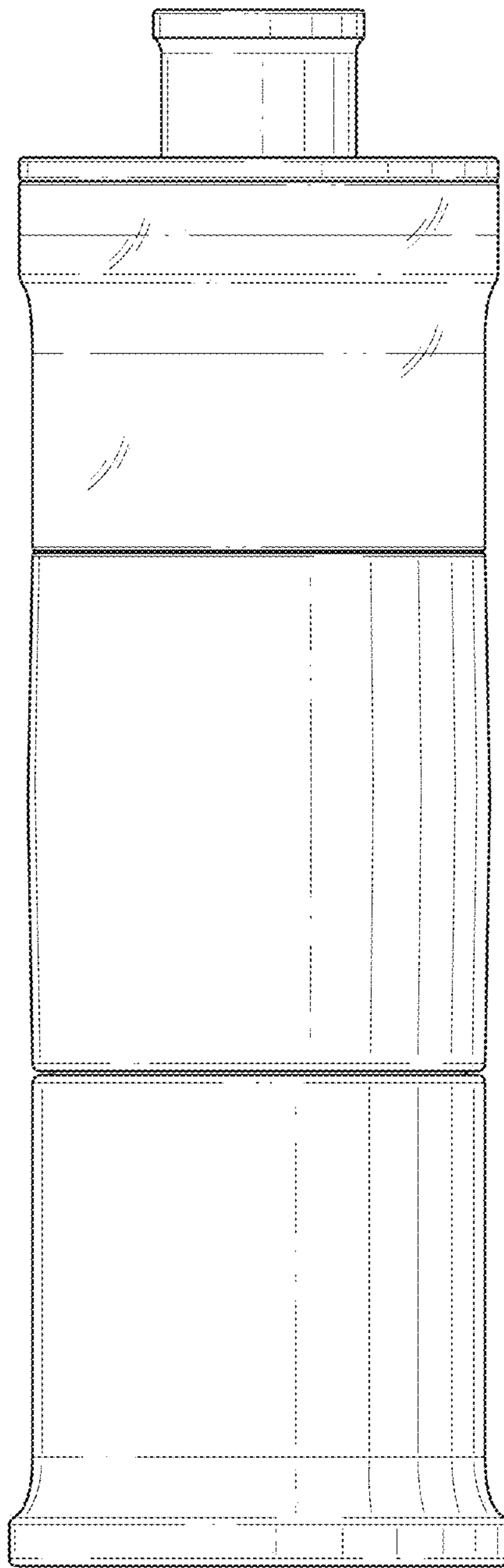


FIG. 12

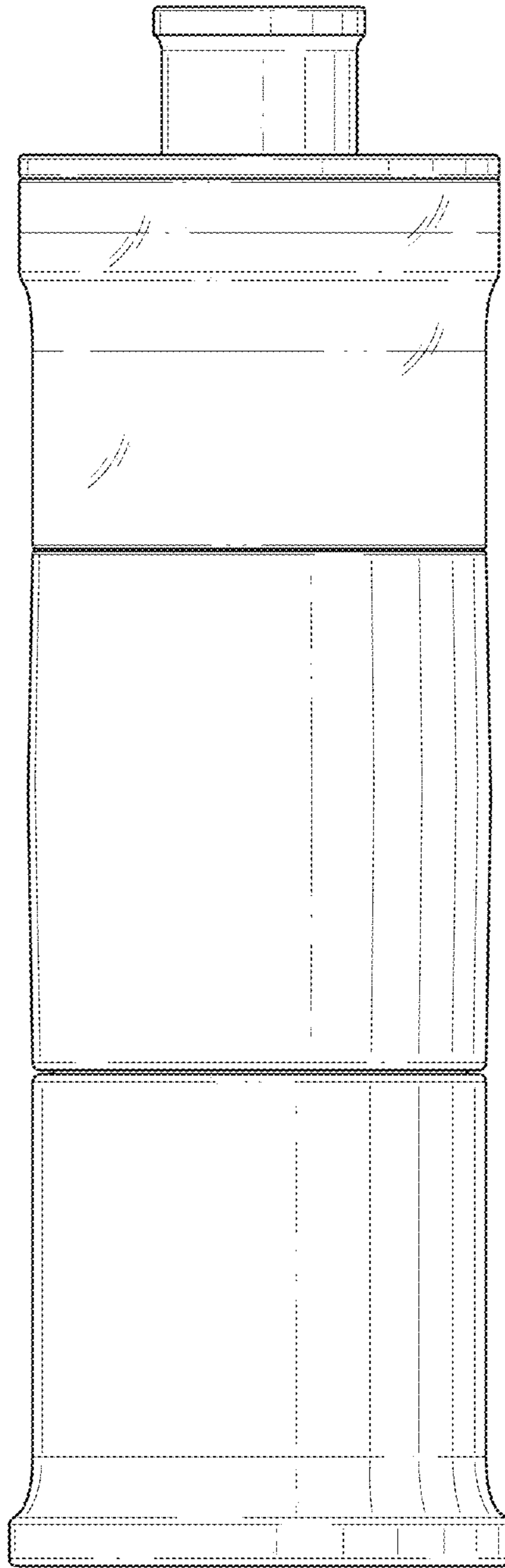


FIG. 13

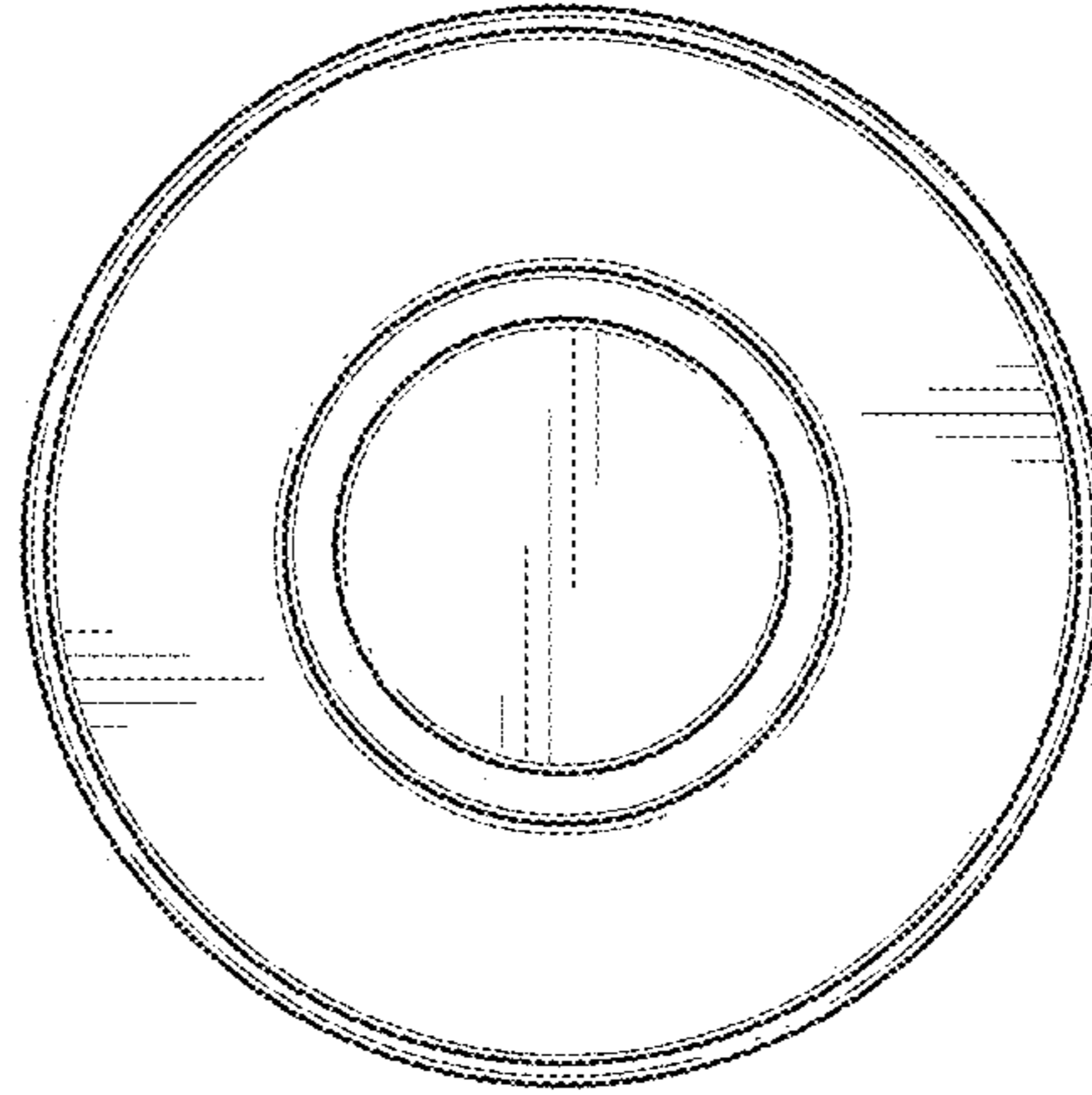


FIG. 14

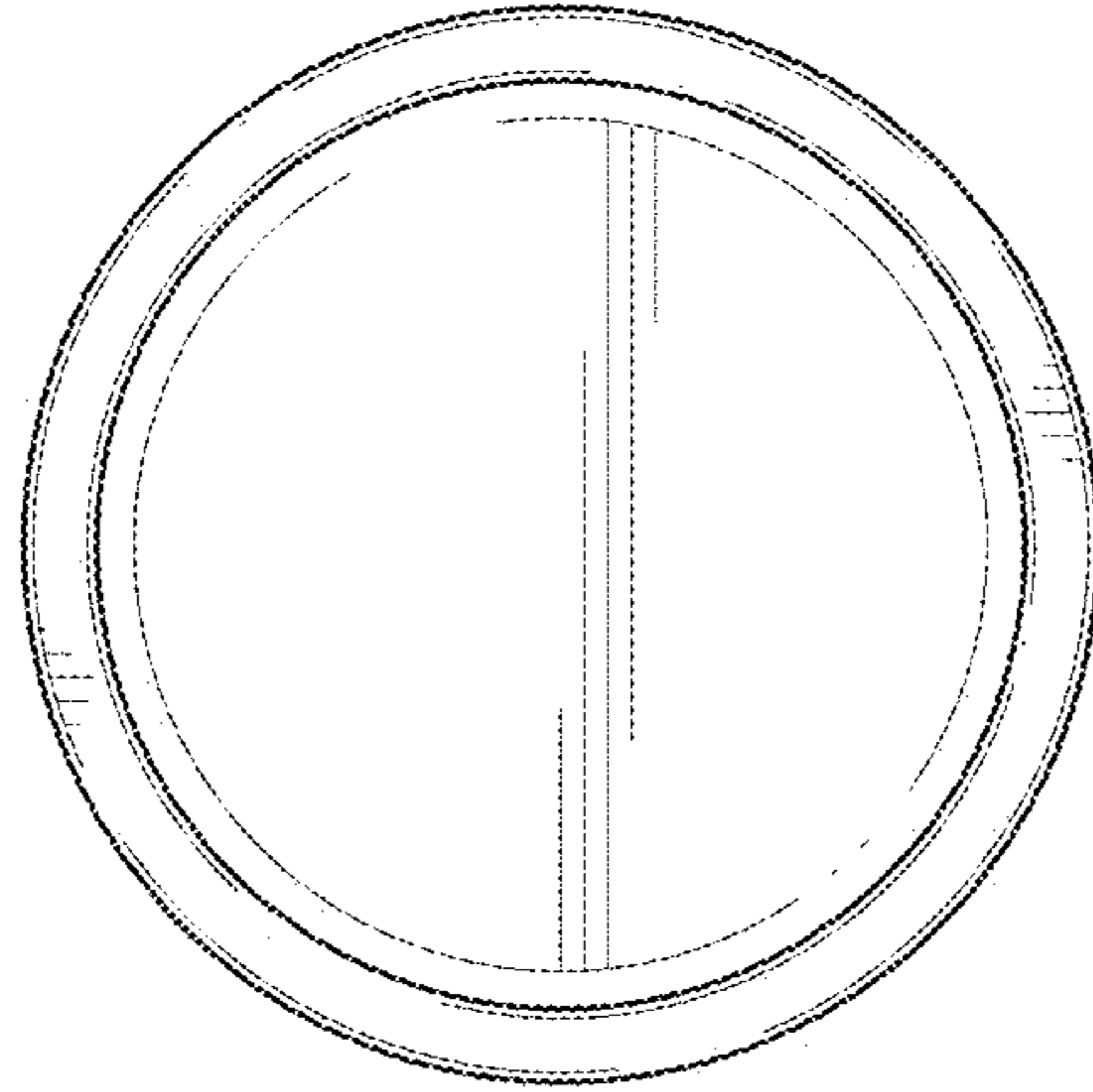


FIG. 15

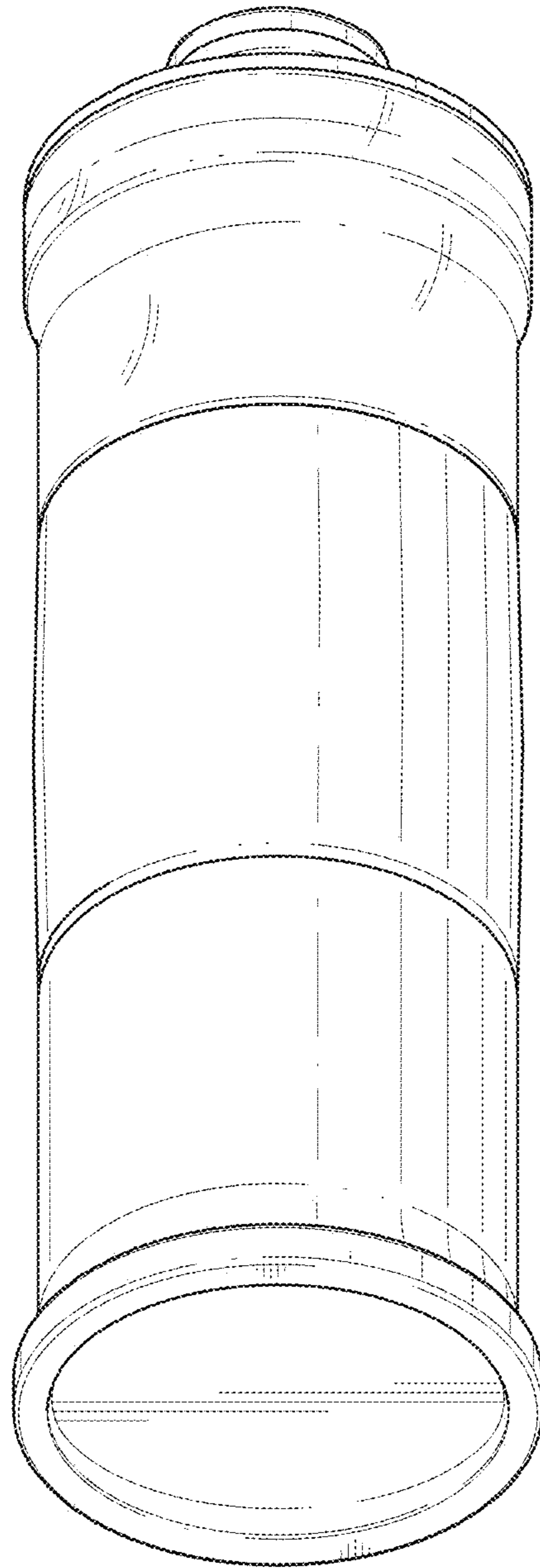


FIG. 16