

US00D876881S

(12) **United States Design Patent**  
**Mattei et al.**

(10) **Patent No.:** **US D876,881 S**  
(45) **Date of Patent:** **\*\* Mar. 3, 2020**

(54) **COMBINED MICROWAVE OVEN  
ACCESSORY AND FOOD CONTAINER**

(71) Applicant: **SNIPS S.R.L.**, Ossago Lodigiano  
(Lodi) (IT)

(72) Inventors: **Maurizio Mattei**, Recanati (IT);  
**Nicoletta Carella**, Recanati (IT)

(73) Assignee: **SNIPS S.R.L.**, Ossago Lodigiano (IT)

(\*\*) Term: **15 Years**

(21) Appl. No.: **29/592,101**

(22) Filed: **Jan. 26, 2017**

(30) **Foreign Application Priority Data**

Jul. 27, 2016 (EM) ..... 003321082-0002  
Jul. 27, 2016 (EM) ..... 003321082-0003  
Jul. 27, 2016 (EM) ..... 003321082-0006

(51) **LOC (12) Cl.** ..... **07-02**

(52) **U.S. Cl.**  
USPC ..... **D7/361**

(58) **Field of Classification Search**  
USPC ..... D7/323, 337, 339-341, 352, 354-358,  
D7/360-367, 393, 402-403, 407-411,  
D7/601, 605, 629, 701, 703; D9/761  
(Continued)

(56) **References Cited**

**U.S. PATENT DOCUMENTS**

4,065,909 A \* 1/1978 Mueller ..... B65B 7/168  
53/420  
D256,762 S \* 9/1980 Scott ..... D7/360  
(Continued)

**FOREIGN PATENT DOCUMENTS**

EP 1380241 A1 \* 1/2004  
GB 2515988 A \* 1/2015

**OTHER PUBLICATIONS**

Dish Steamer, posted © 2018 [online], retrieved Aug. 30, 2018,  
retrieved from internet, <<http://www.snips.it/product/dish-steamer/>>.\*

(Continued)

*Primary Examiner* — Barbara Fox

*Assistant Examiner* — Messina L Smith

(74) *Attorney, Agent, or Firm* — Pearne & Gordon LLP

(57) **CLAIM**

The ornamental design for a combined microwave oven  
accessory and food container, as shown and described.

**DESCRIPTION**

FIG. 1 is a perspective view of a first embodiment of a  
combined microwave oven accessory and food container,  
showing our new design;

FIG. 2 is a top view thereof;

FIG. 3 is a bottom view thereof;

FIG. 4 is a front view thereof;

FIG. 5 is a left side view thereof;

FIG. 6 is a right side view thereof, the back view being a  
mirror image thereof;

FIG. 7 is a perspective view of a second embodiment of a  
combined microwave oven accessory and food container  
according to the invention;

FIG. 8 is a top view thereof;

FIG. 9 is a bottom view thereof;

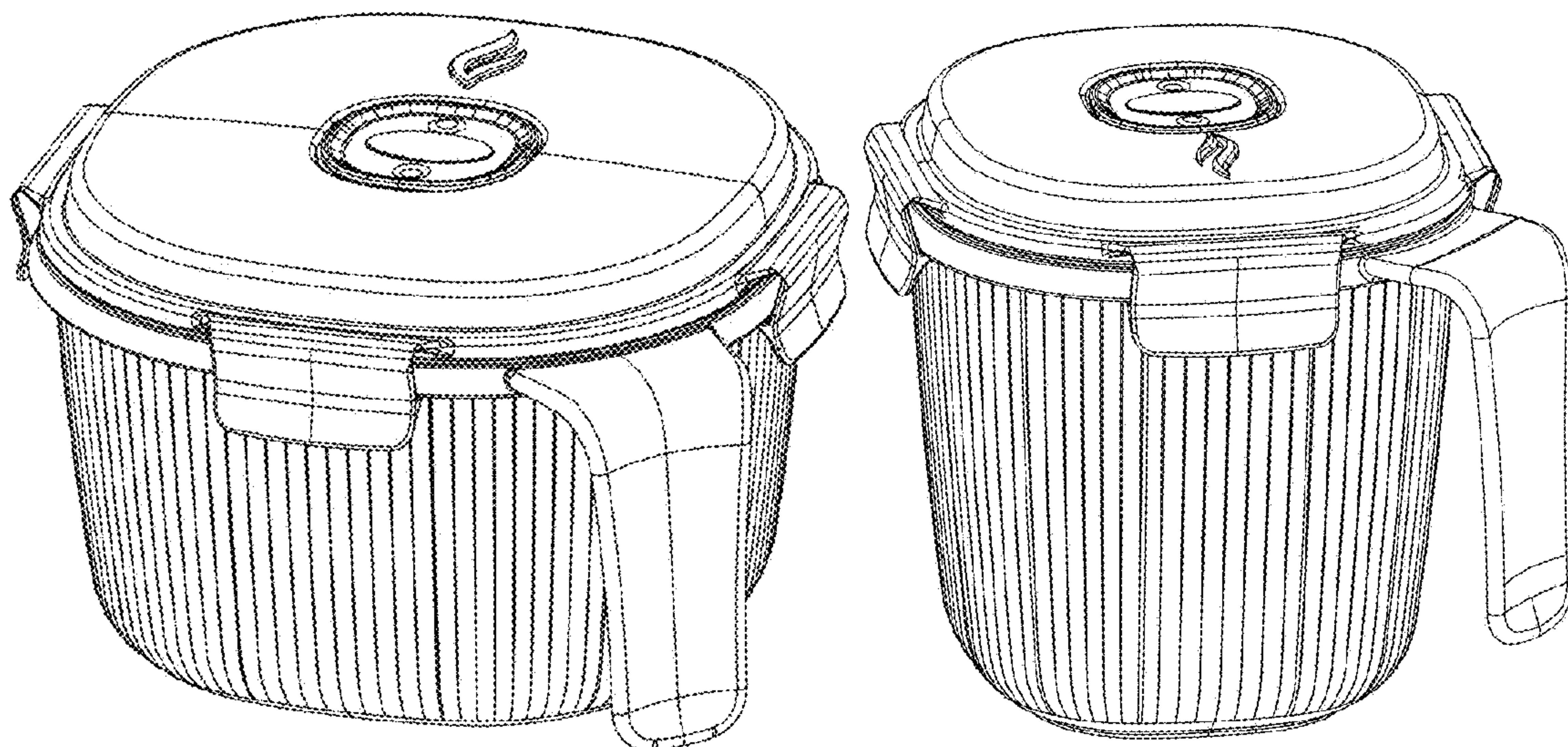
FIG. 10 is a front view thereof;

FIG. 11 is a right side view thereof, the back view being a  
mirror image thereof; and,

FIG. 12 is a left side view thereof.

The broken lines shown in the drawings depict portions of  
the combined microwave oven accessory and food container  
that form no part of the claimed design.

**1 Claim, 12 Drawing Sheets**



(58) **Field of Classification Search**

CPC ..... A21B 1/06; A21B 1/50; A21B 1/52; A47J  
37/04; A47J 37/06; A47J 37/015; A47J  
37/067; A47J 37/0611; A47J 37/0629;  
A47J 37/0676; A47J 37/108; F24C 7/06;  
F24C 7/083; F24C 15/02; F24C 15/66;  
H05B 3/20; H05B 3/40

See application file for complete search history.

(56) **References Cited**

U.S. PATENT DOCUMENTS

D299,106	S	*	12/1988	Pomroy	.....	D7/325
D575,115	S	*	8/2008	Zimmerman	.....	D7/629
D638,290	S	*	5/2011	Cimmerer	.....	D9/429
D706,084	S	*	6/2014	Manley	.....	D7/629
D803,006	S	*	11/2017	Min	.....	D7/608
D803,631	S	*	11/2017	Min	.....	D7/605
D803,681	S	*	11/2017	Yang	.....	D9/432
D819,392	S	*	6/2018	Mattei	.....	D7/360
D825,284	S	*	8/2018	Morales	.....	D7/629
2016/0152387	A1	*	6/2016	Loaiza Alvarez	....	A47J 36/027 220/203.09

OTHER PUBLICATIONS

Milk warmer tea soups, posted © 2018 [online], retrieved Aug. 30, 2018, retrieved from internet, <<http://www.snips.it/product/milk-warmer-tea-soups-mug/>>.\*

\* cited by examiner



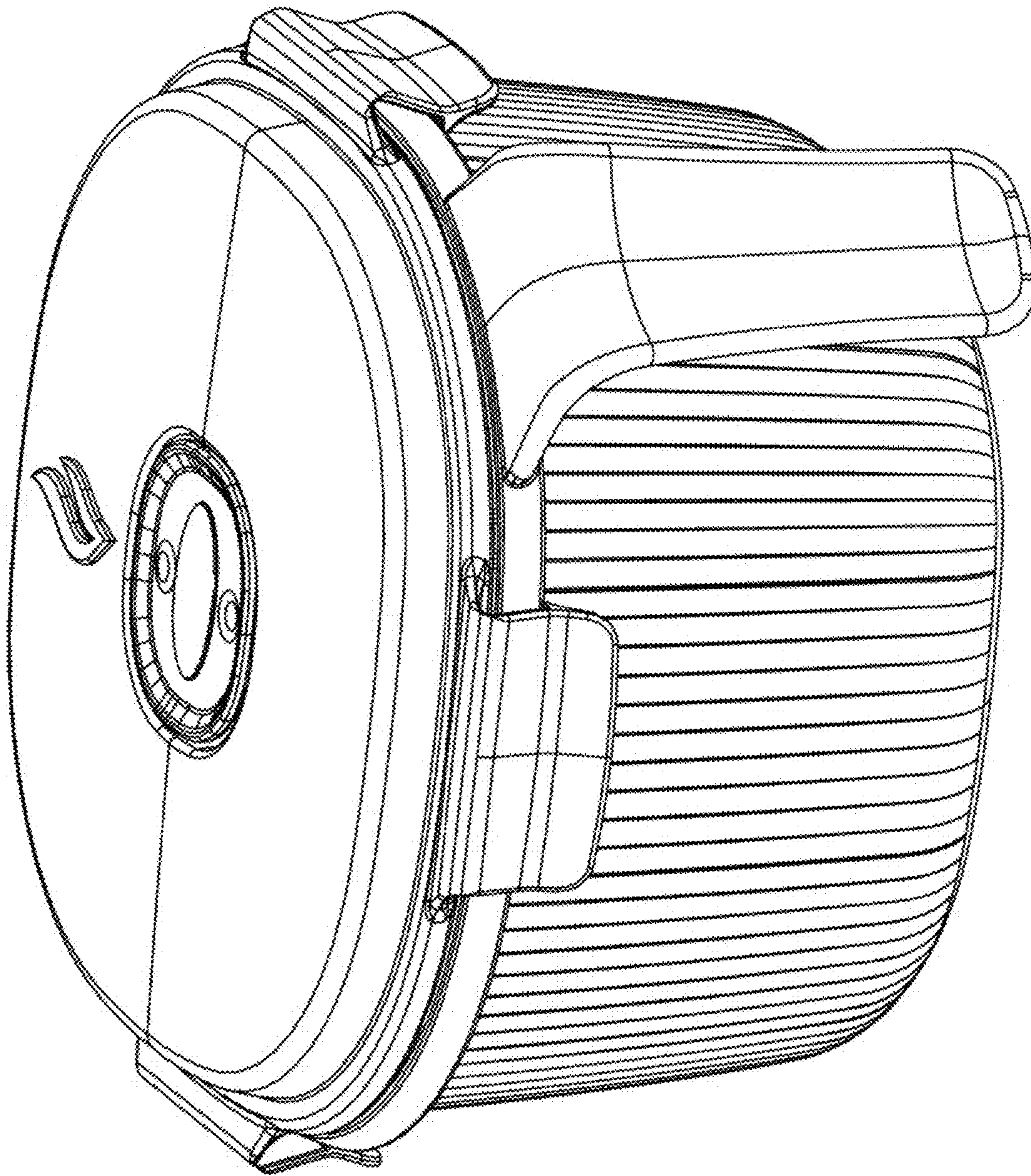


FIG. 1

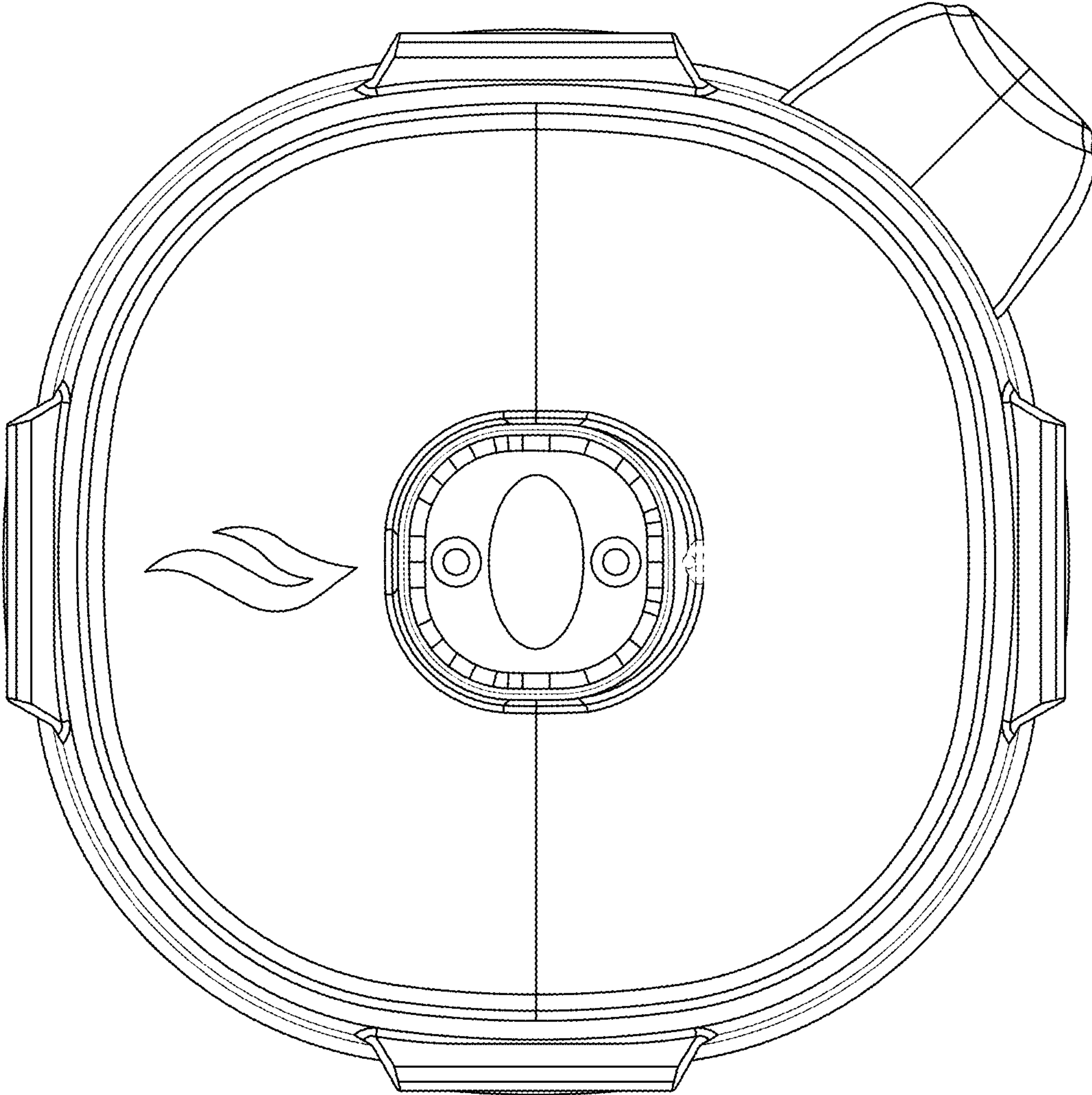


FIG.2



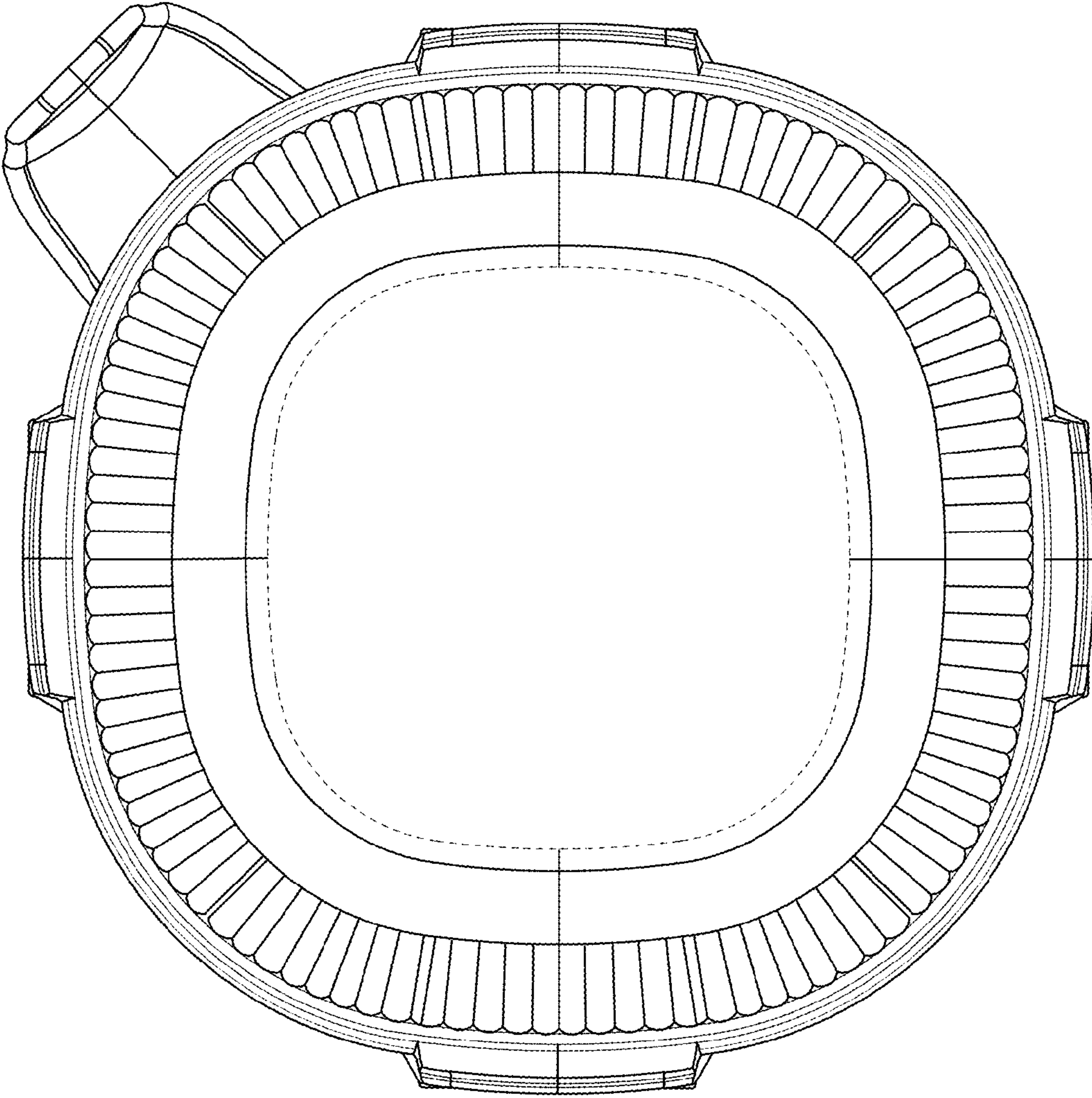


FIG. 3

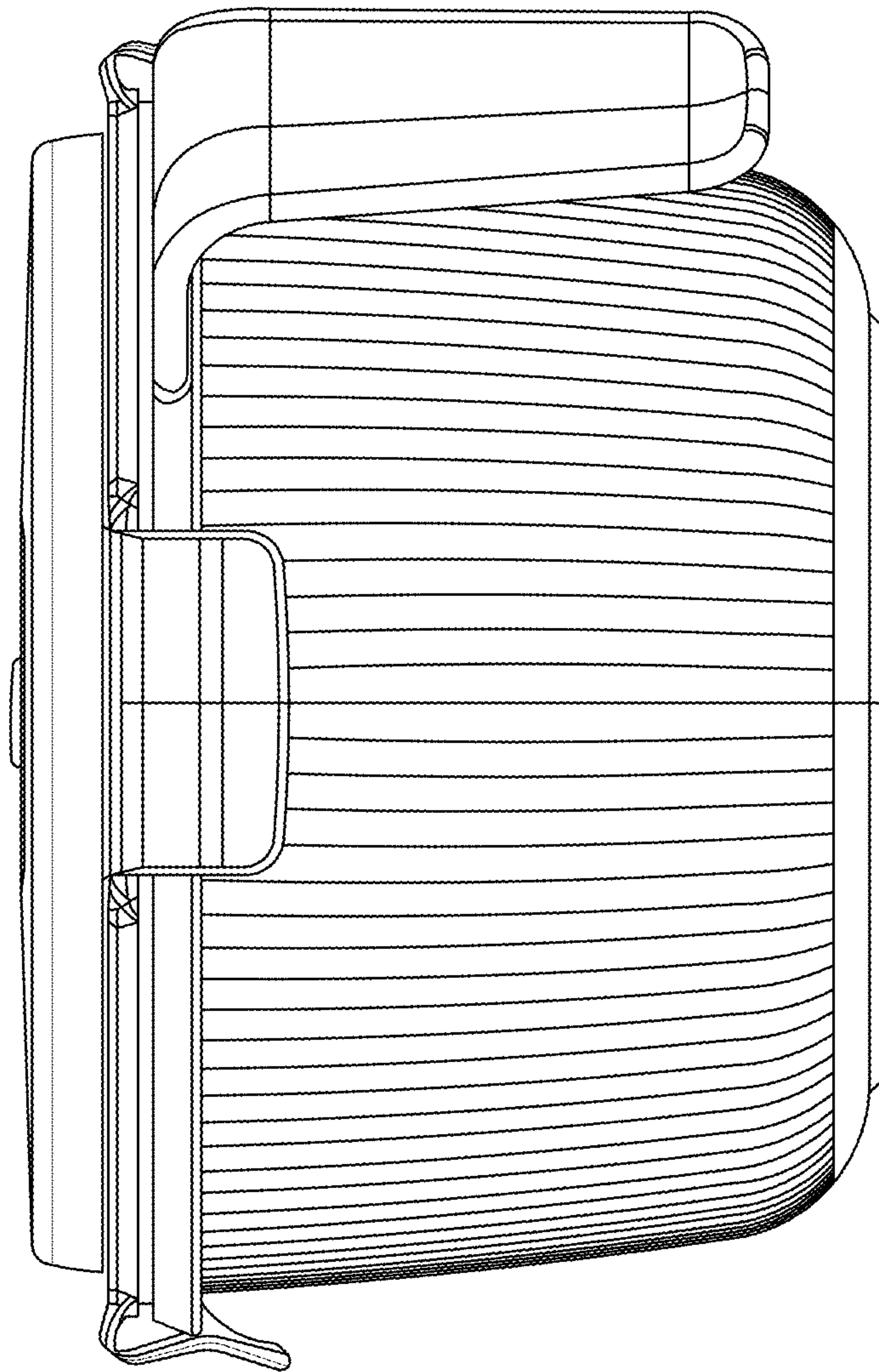


FIG.4

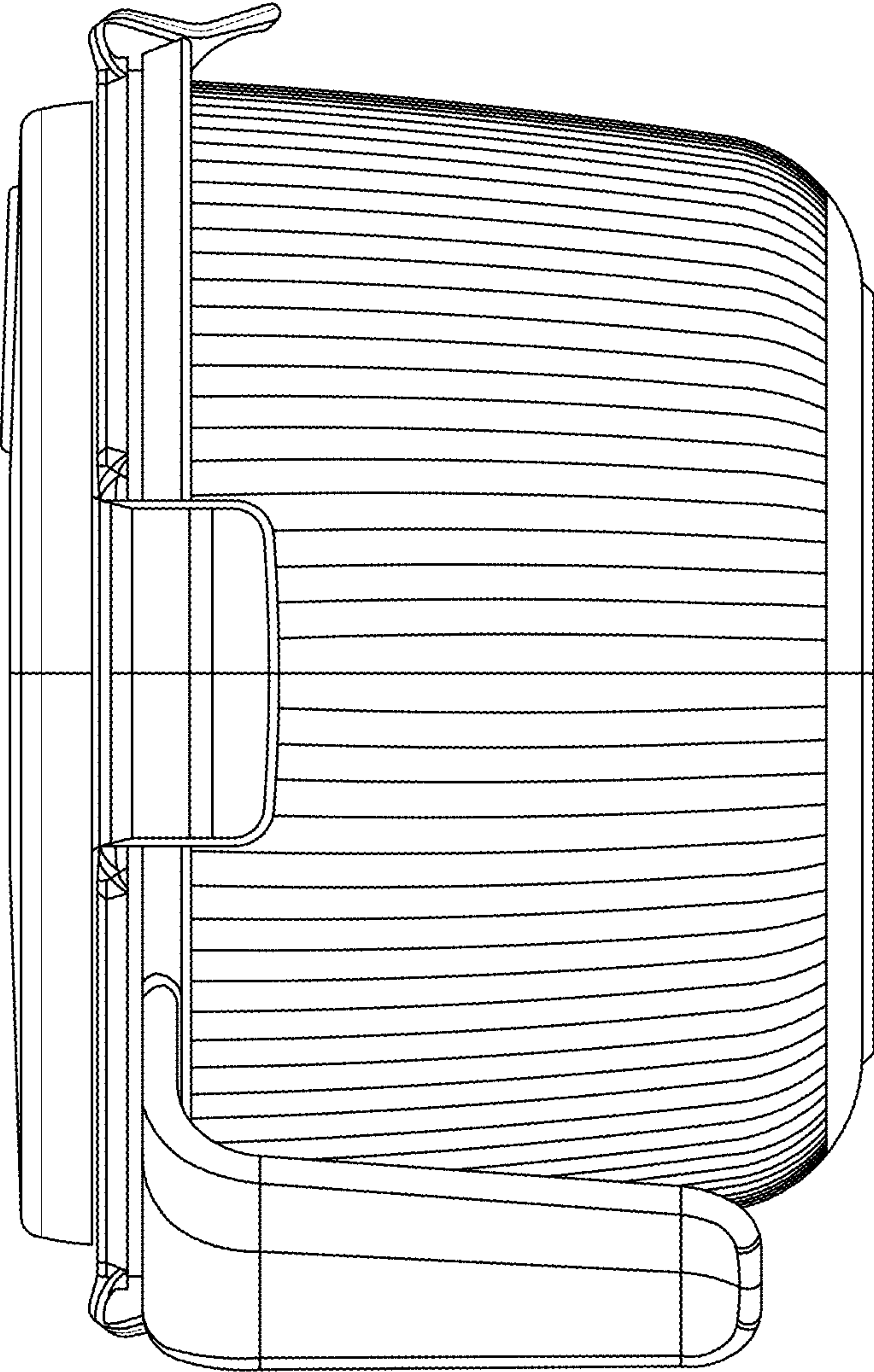


FIG. 5

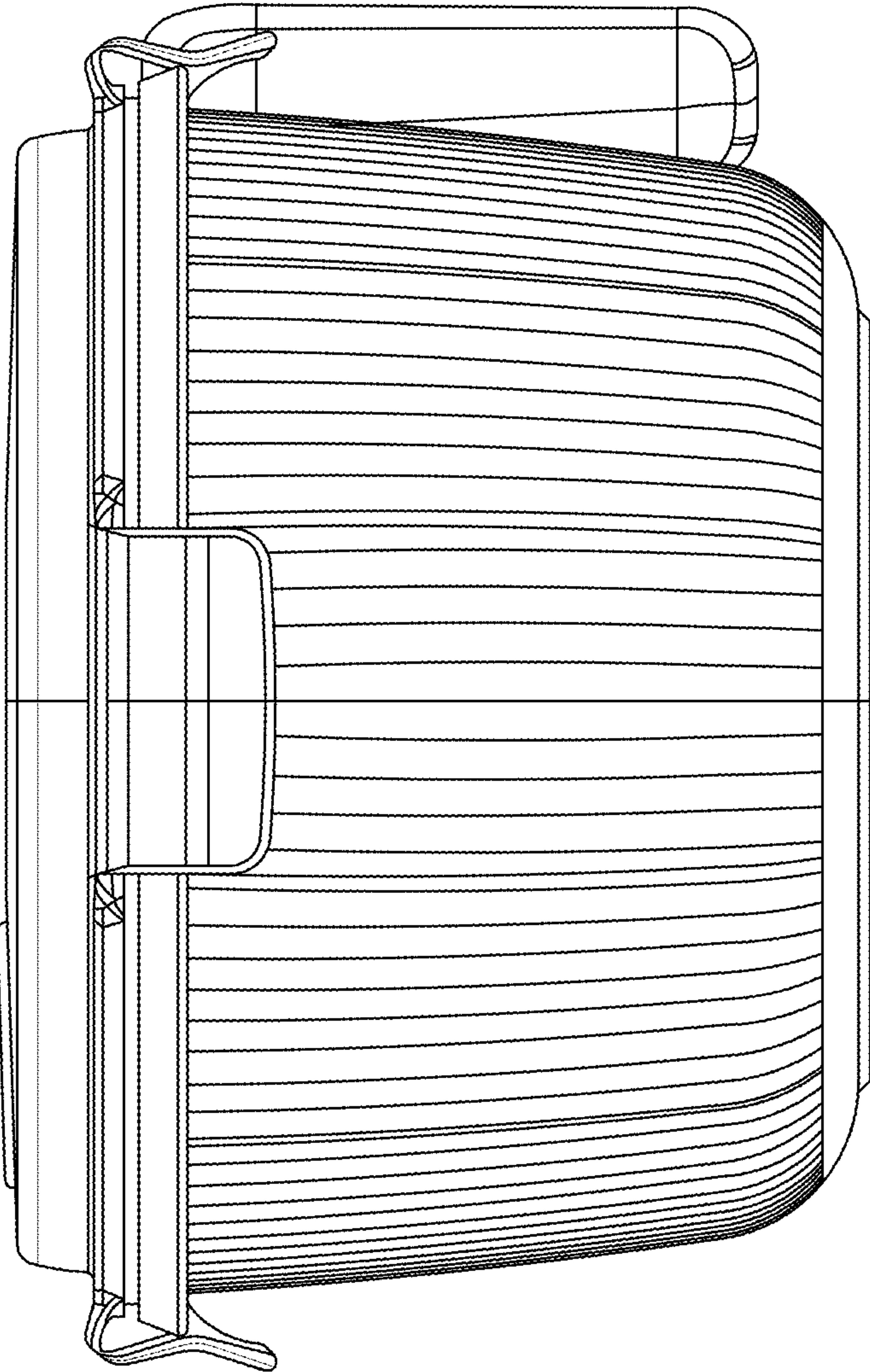


FIG. 6



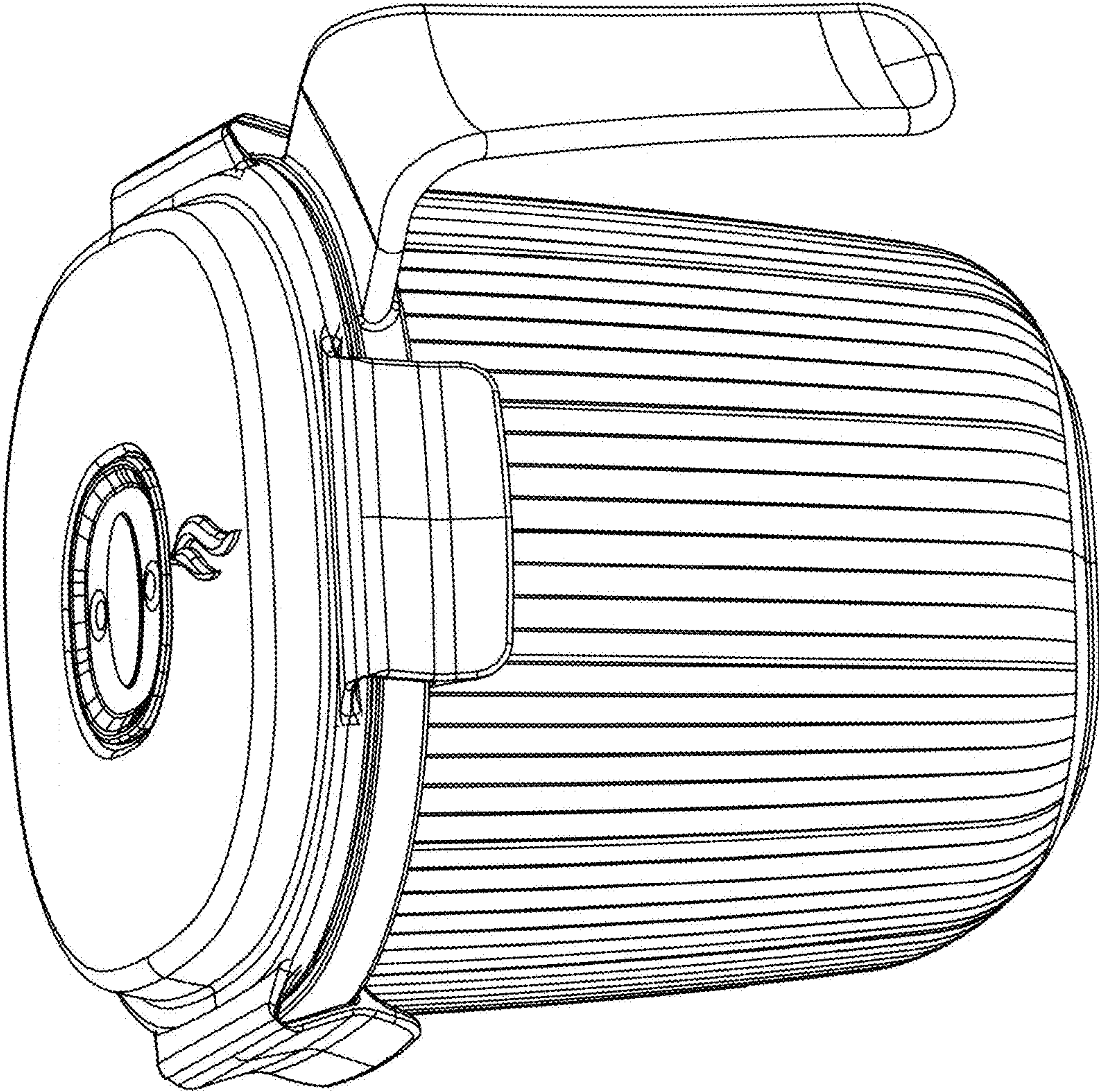


FIG. 7

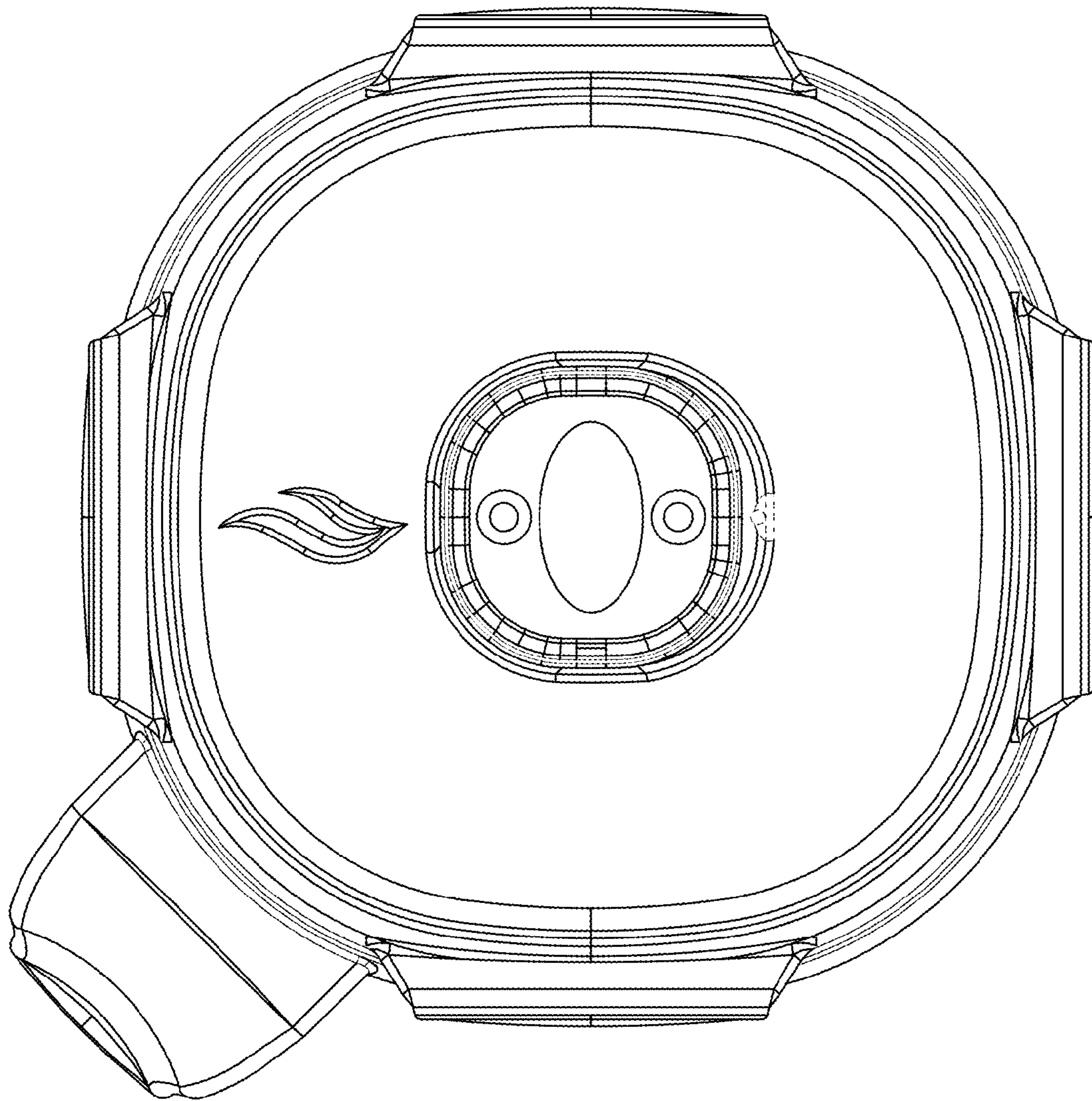


FIG. 8



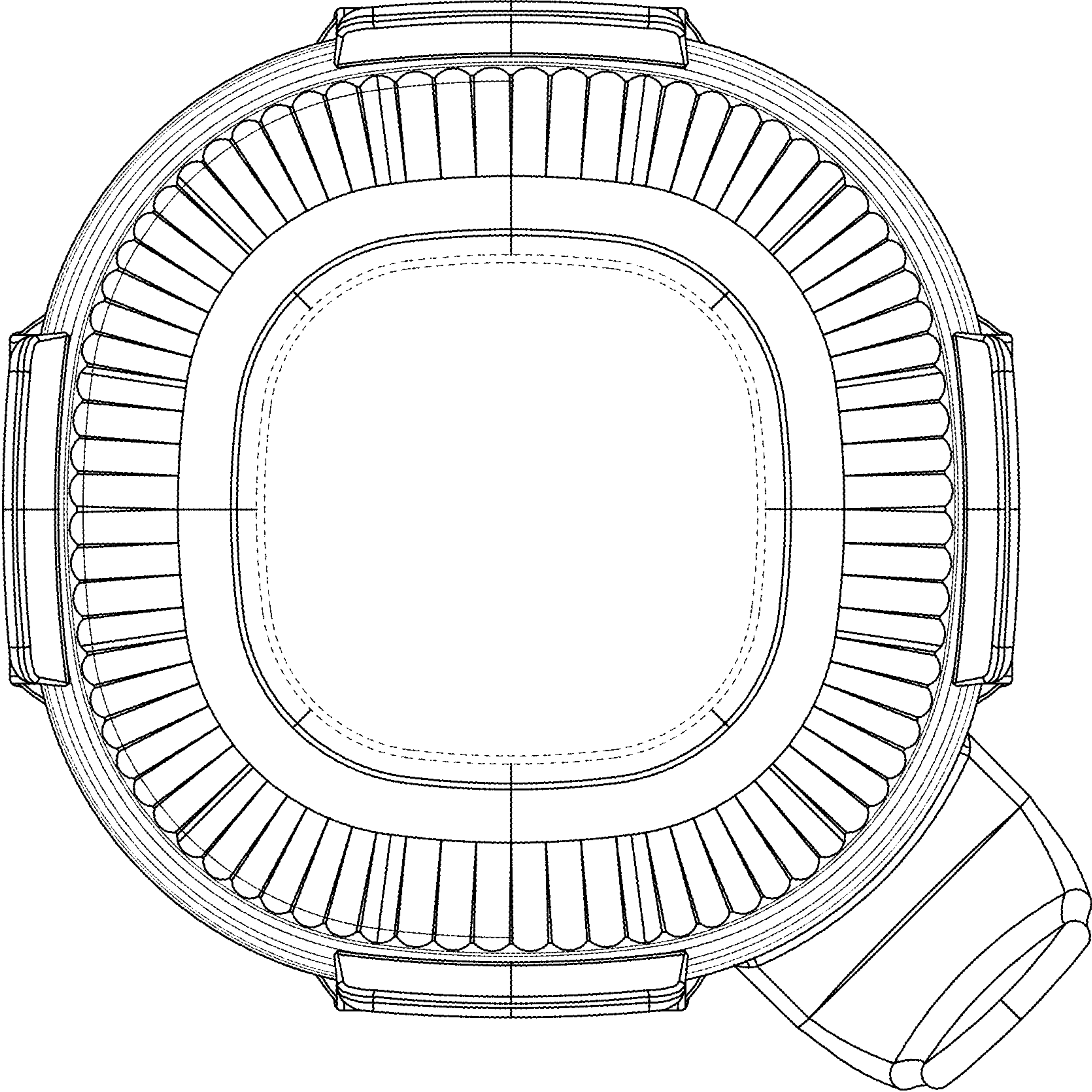


FIG. 9



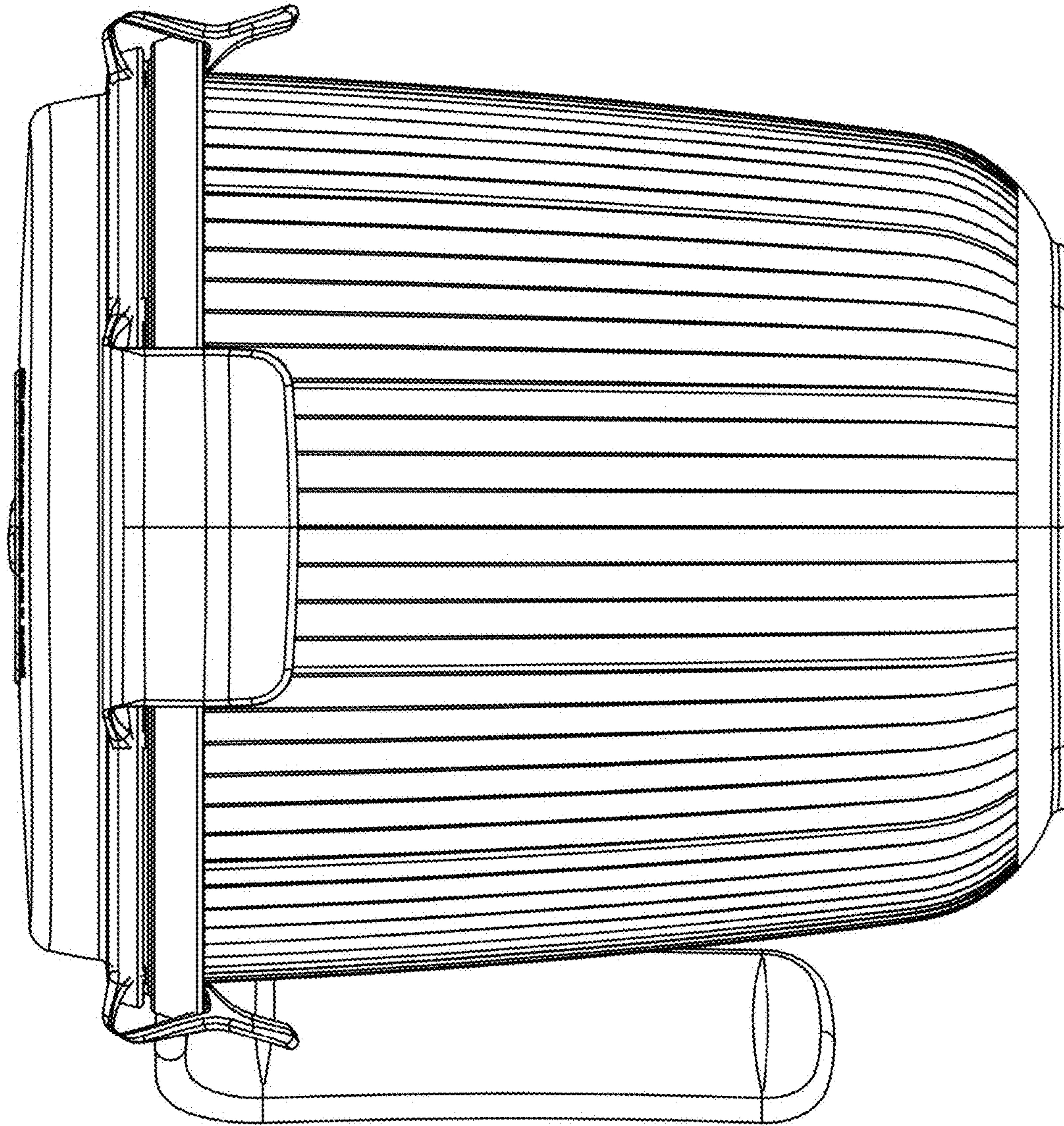


FIG. 10

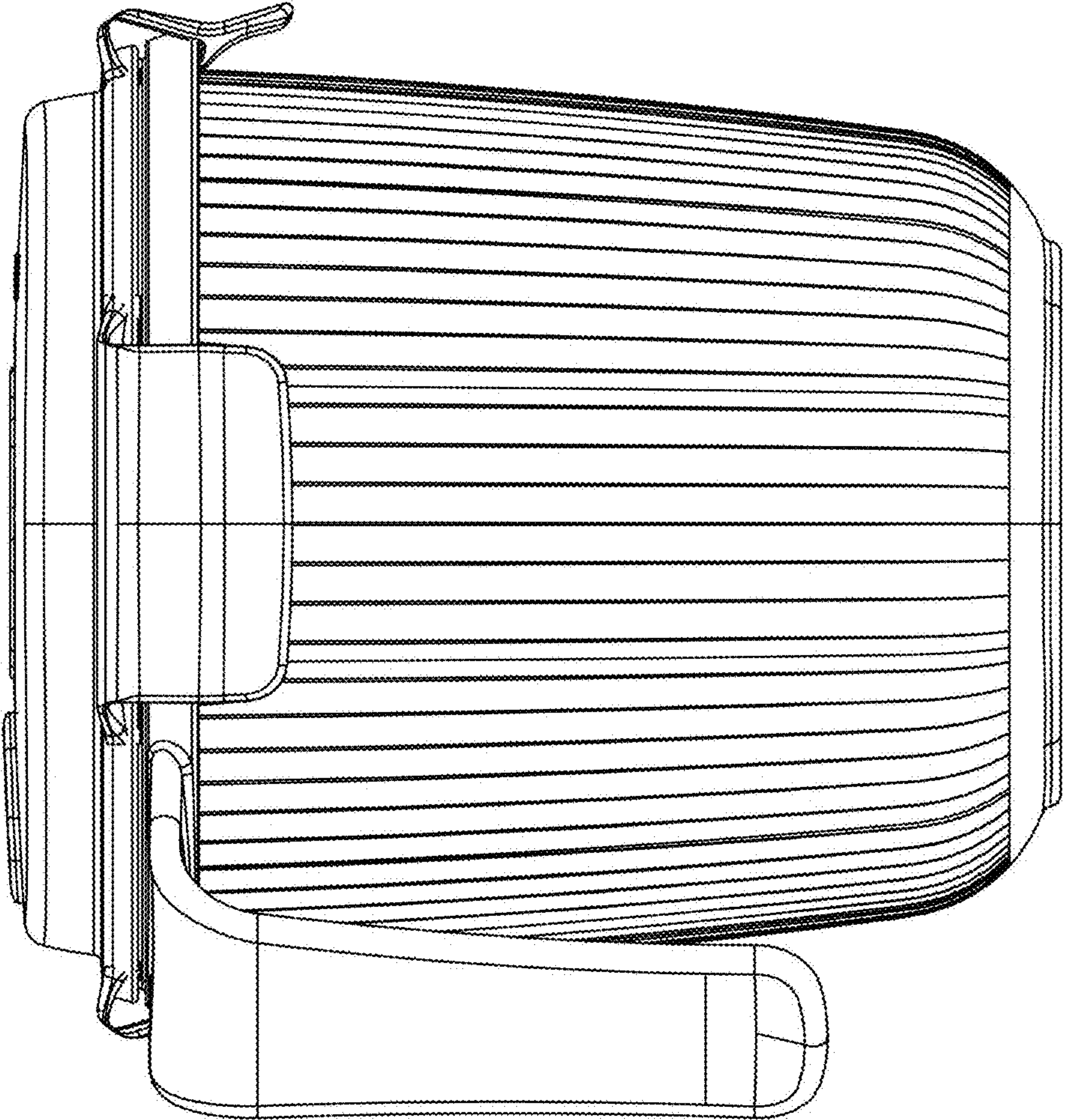


FIG. 11



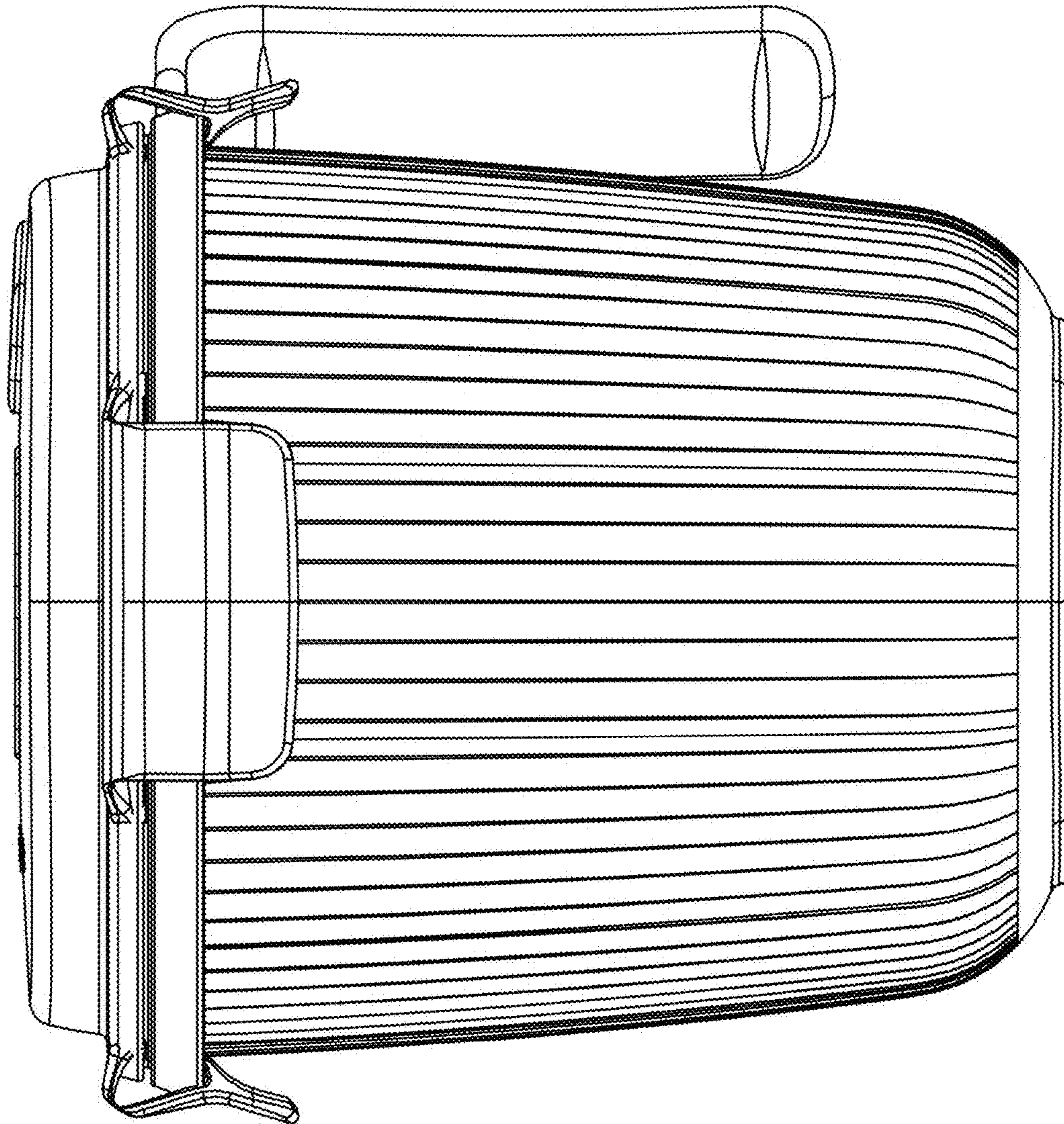


FIG. 12