



US00D876880S

(12) **United States Design Patent** (10) **Patent No.:** **US D876,880 S**
Sarnoff et al. (45) **Date of Patent:** **** Mar. 3, 2020**

(54) **STACKABLE PAN WITH LID** 7,055,712 B2 * 6/2006 Tang B65D 21/0219
220/366.1
(71) Applicant: **HFA, INC.**, Wheeling, IL (US) D594,324 S * 6/2009 Colacitti D7/354
D594,325 S * 6/2009 Colacitti D7/354
(72) Inventors: **Brad Sarnoff**, Highland Park, IL (US); D594,326 S * 6/2009 Colacitti D7/354
Norton Sarnoff, Boca Raton, FL (US);
Raj Patel, Kildeer, IL (US) D598,744 S * 8/2009 Shields D9/425
(Continued)

(73) Assignee: **Handi-Foil Corporation**, Wheeling, IL (US)

(**) Term: **15 Years**

(21) Appl. No.: **29/641,313**

(22) Filed: **Mar. 21, 2018**

(51) **LOC (12) Cl.** **07-02**

(52) **U.S. Cl.**
USPC **D7/359**

(58) **Field of Classification Search**
USPC D7/323, 339, 352, 354-366, 396.1, 402, D7/409

CPC .. A21B 3/00; A21B 3/13; A21B 3/131; A21B 3/132; A21B 3/135; A21B 3/136; A21B 3/137; A21B 3/15; A21B 5/00; A21B 5/02; A21B 5/04; A47J 27/00; A47J 37/00; A47J 37/01; A47J 37/04; A47J 37/06; A47J 37/10; A47J 37/0611; A47J 37/08; A47J 37/0807; A47J 37/0814; A47J 37/0835; A47J 37/0842; A47J 37/085; A47J 37/0864; A47J 37/0878; A47J 37/0885; A47J 37/0892; A47J 36/00; A47J 36/02; A47J 36/06; A47J 36/16; A47J 36/24; A47J 36/022; A47J 36/027; A47J 43/20

See application file for complete search history.

(56) **References Cited**

U.S. PATENT DOCUMENTS

D415,420 S * 10/1999 Chen D7/629
D450,580 S * 11/2001 Littlejohn D7/629
D475,621 S * 6/2003 Buchalski D9/428

FOREIGN PATENT DOCUMENTS

JP 09051853 A * 2/1997

OTHER PUBLICATIONS

Jetfoil Round Disposable Aluminum Foil Pans with Clear Plastic Lids, reviewed Jul. 4, 2016 [online], retrieved Sep. 11, 2019, retrieved from internet, see Quayle Action for full website address.*
(Continued)

Primary Examiner — Barbara Fox
Assistant Examiner — Messina L Smith
(74) *Attorney, Agent, or Firm* — Adam K. Sacharoff; Much Shelist, P.C.

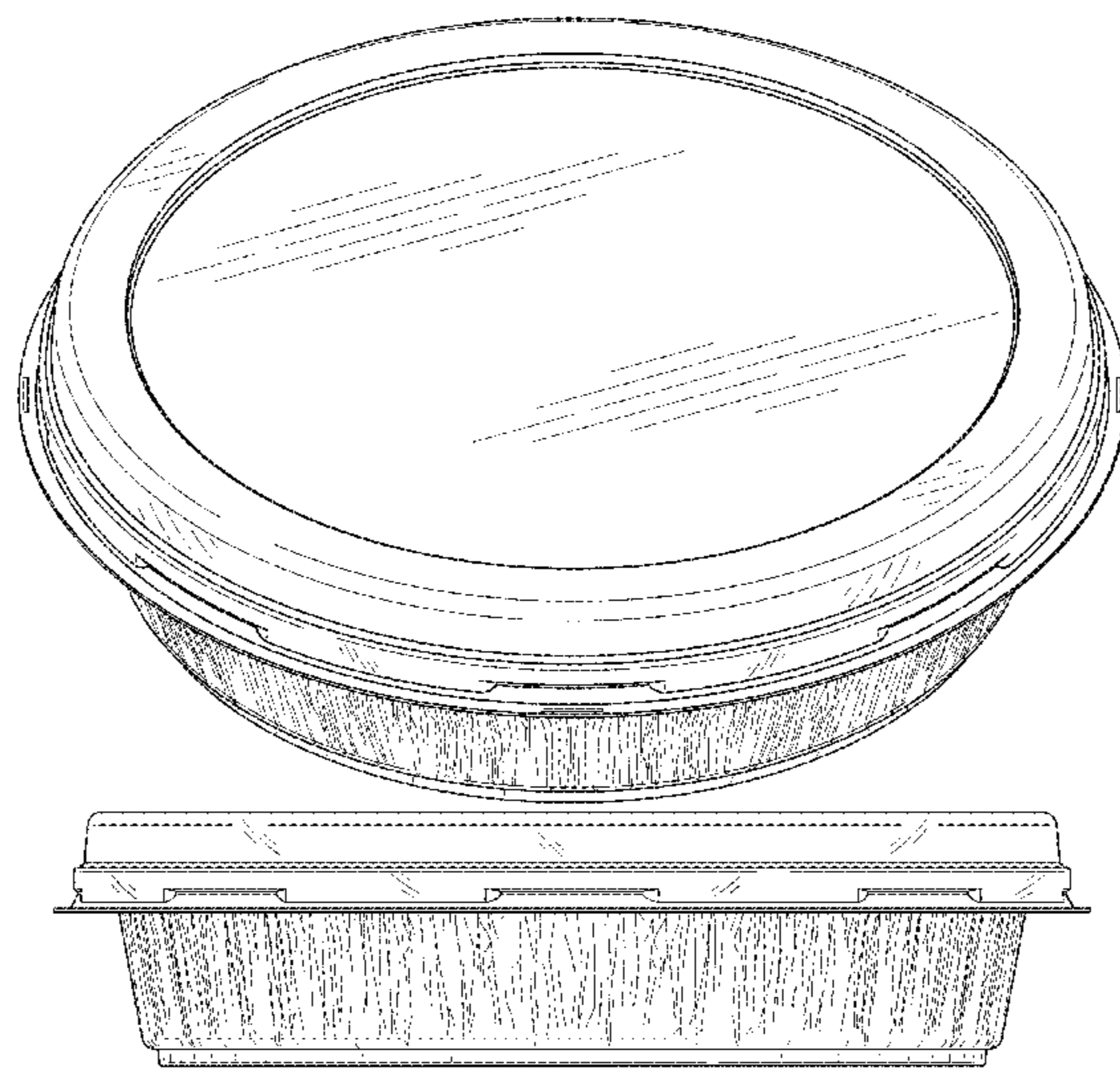
(57) **CLAIM**

The ornamental design for a stackable pan with lid, as shown and described.

DESCRIPTION

FIG. 1 is a front side perspective view of a stackable pan with lid showing the new design;
FIG. 2 is a left side view thereof;
FIG. 3 is a right side view thereof;
FIG. 4 is a front view thereof;
FIG. 5 is a rear side view thereof;
FIG. 6 is a top plan view thereof;
FIG. 7 is a bottom plan view thereof; and,
FIG. 8 is a bottom perspective view thereof.
The broken lines shown in the drawings depict portions of the stackable pan with lid that form no part of the claimed design.

1 Claim, 6 Drawing Sheets



(56)

References Cited

U.S. PATENT DOCUMENTS

D606,368 S * 12/2009 Wu D7/629
D680,861 S * 4/2013 Chen D9/429
D681,449 S * 5/2013 Snedden D9/429
D807,704 S * 1/2018 Epstein D7/554.2
D819,392 S * 6/2018 Mattei D7/360
D820,027 S * 6/2018 Weernink D7/354
D830,110 S * 10/2018 Mirchandani D7/359
D838,585 S * 1/2019 Kui D9/428
D854,381 S * 7/2019 Yang D7/602
2002/0175171 A1 * 11/2002 Stewart B32B 27/08
220/781
2007/0034161 A1 * 2/2007 Thompson A01K 5/0114
119/61.5

OTHER PUBLICATIONS

Durable Packaging 8" Round Aluminum Foil Take-Out, reviewed
May 16, 2017 [online], retrieved Sep. 11, 2019, retrieved from
internet, <https://www.amazon.com/Durable-Packaging-Round-Aluminum-Take-Out/dp/B01JH4GVCU>.*

* cited by examiner

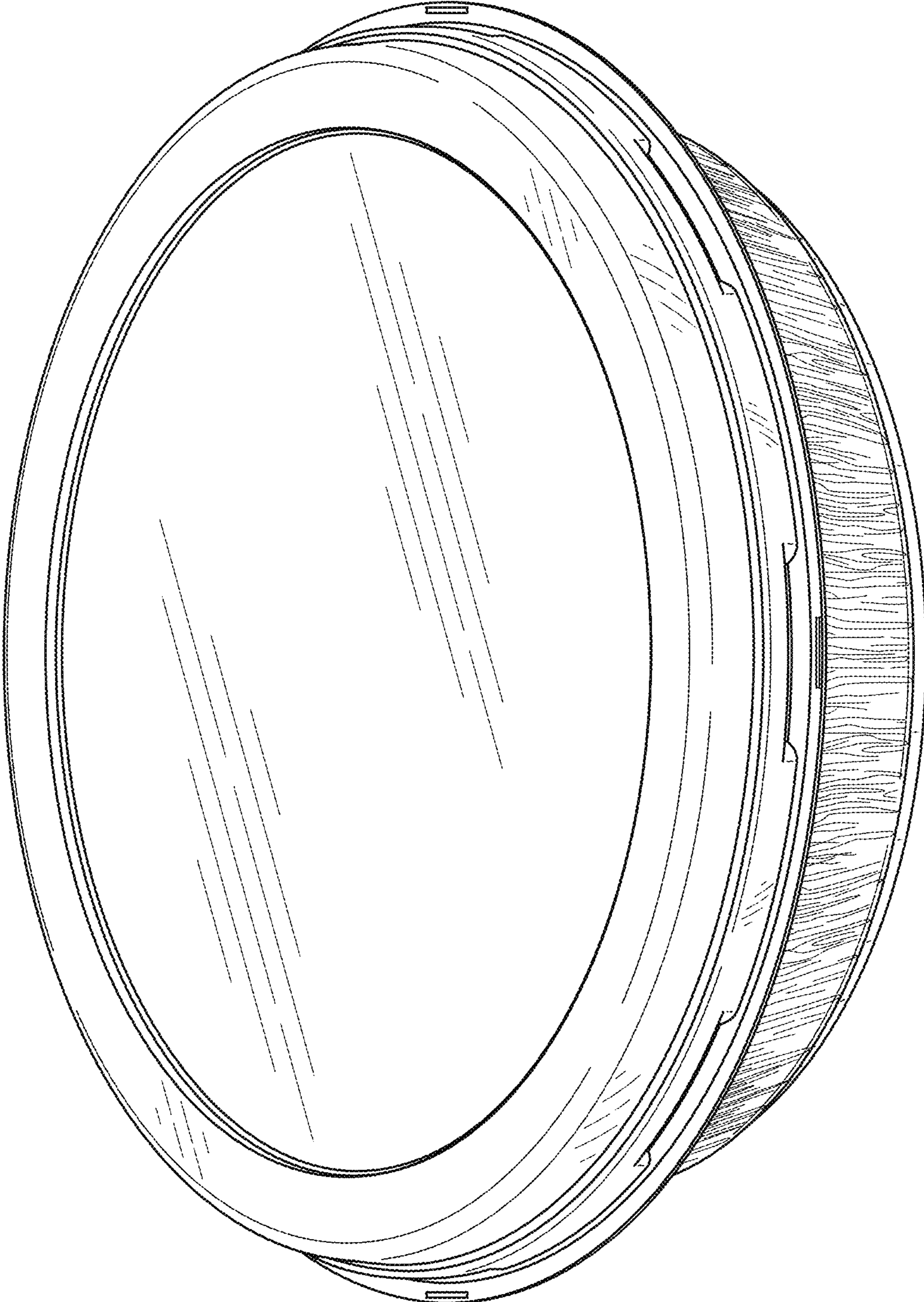


FIG. 1

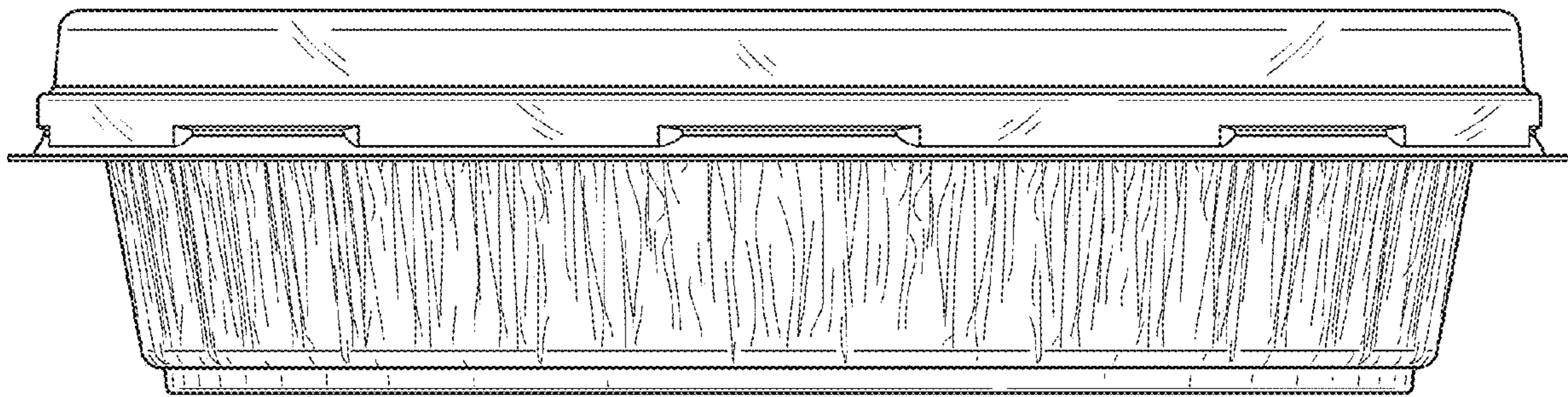


FIG. 2

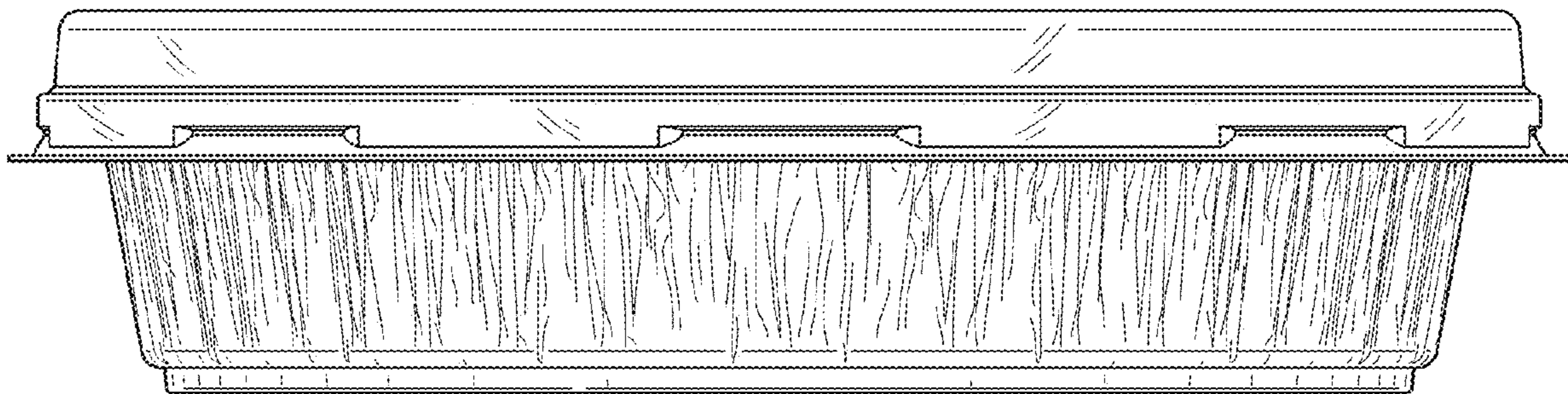


FIG. 3

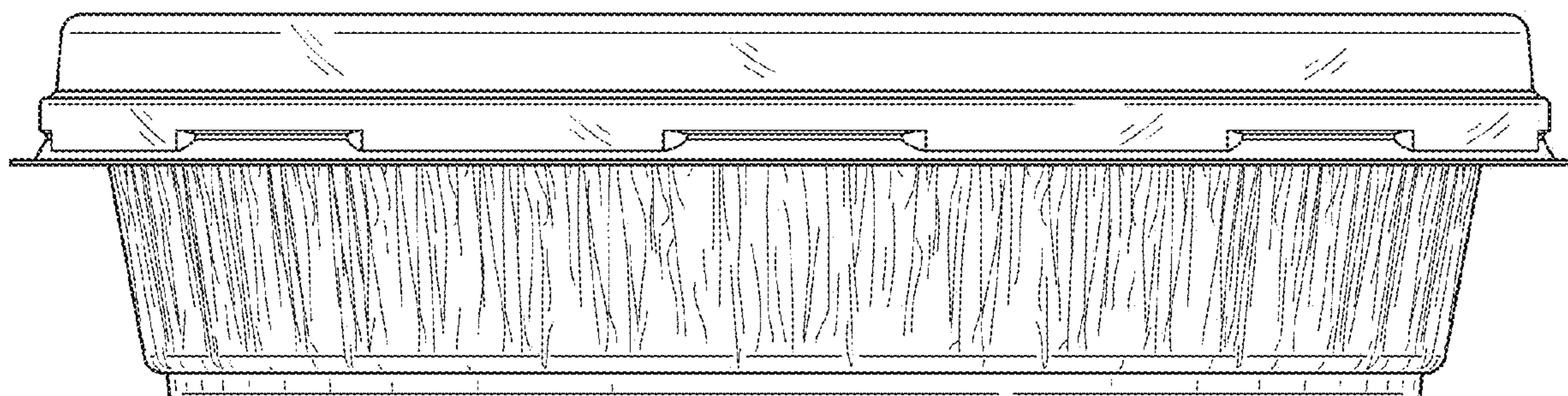


FIG. 4

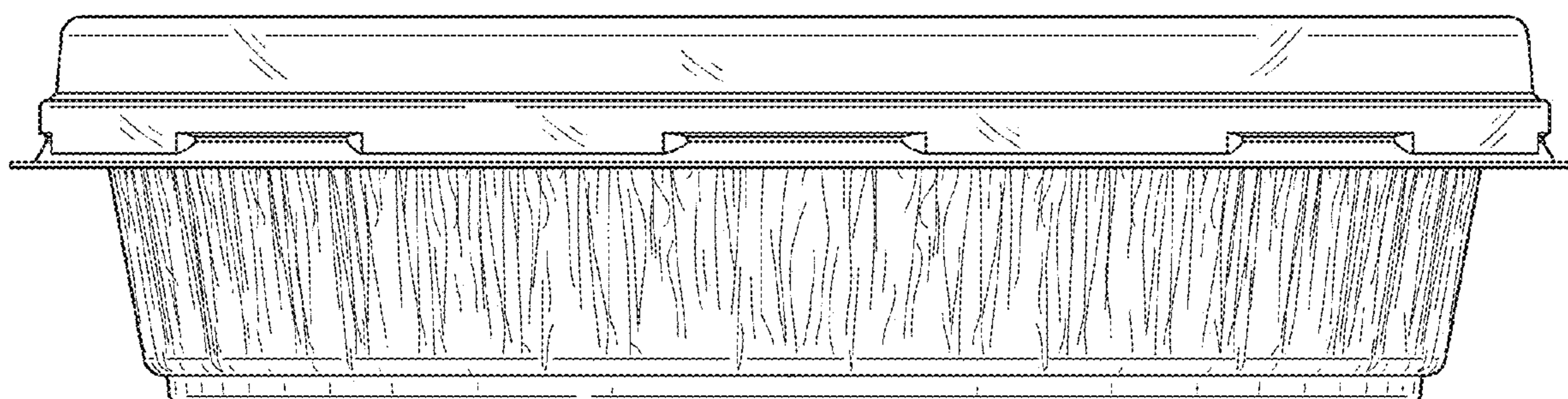


FIG. 5

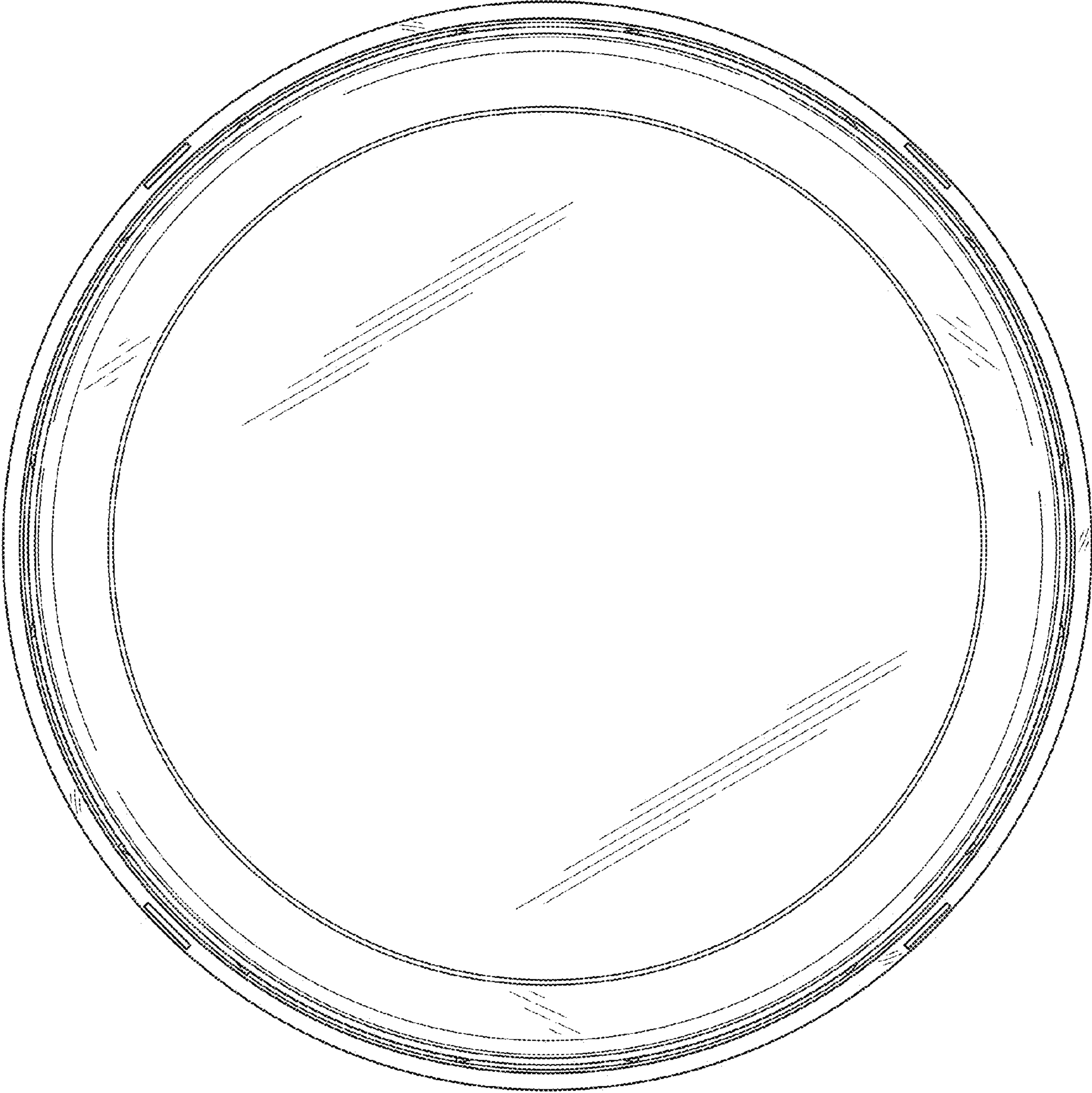


FIG. 6

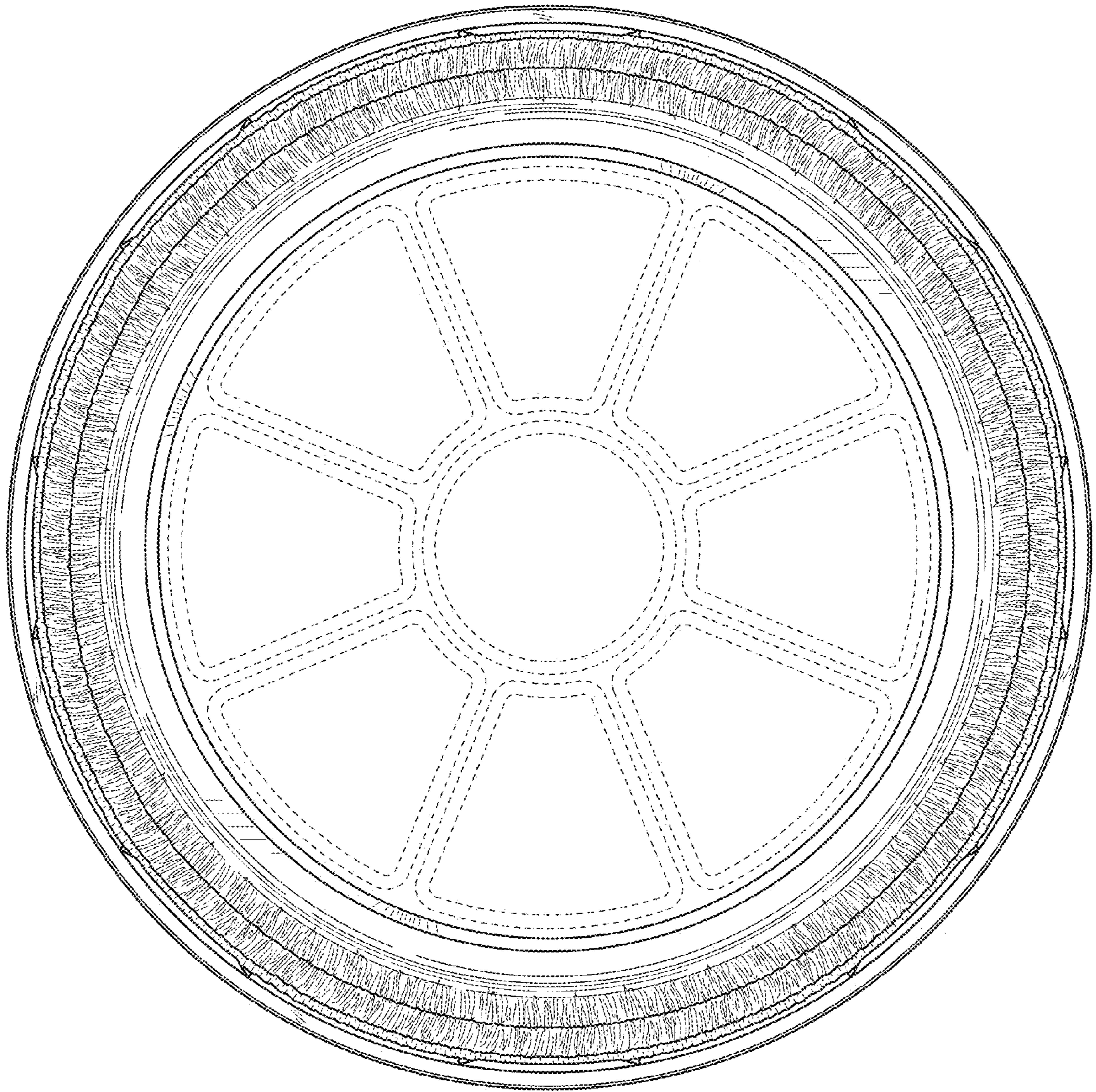


FIG. 7

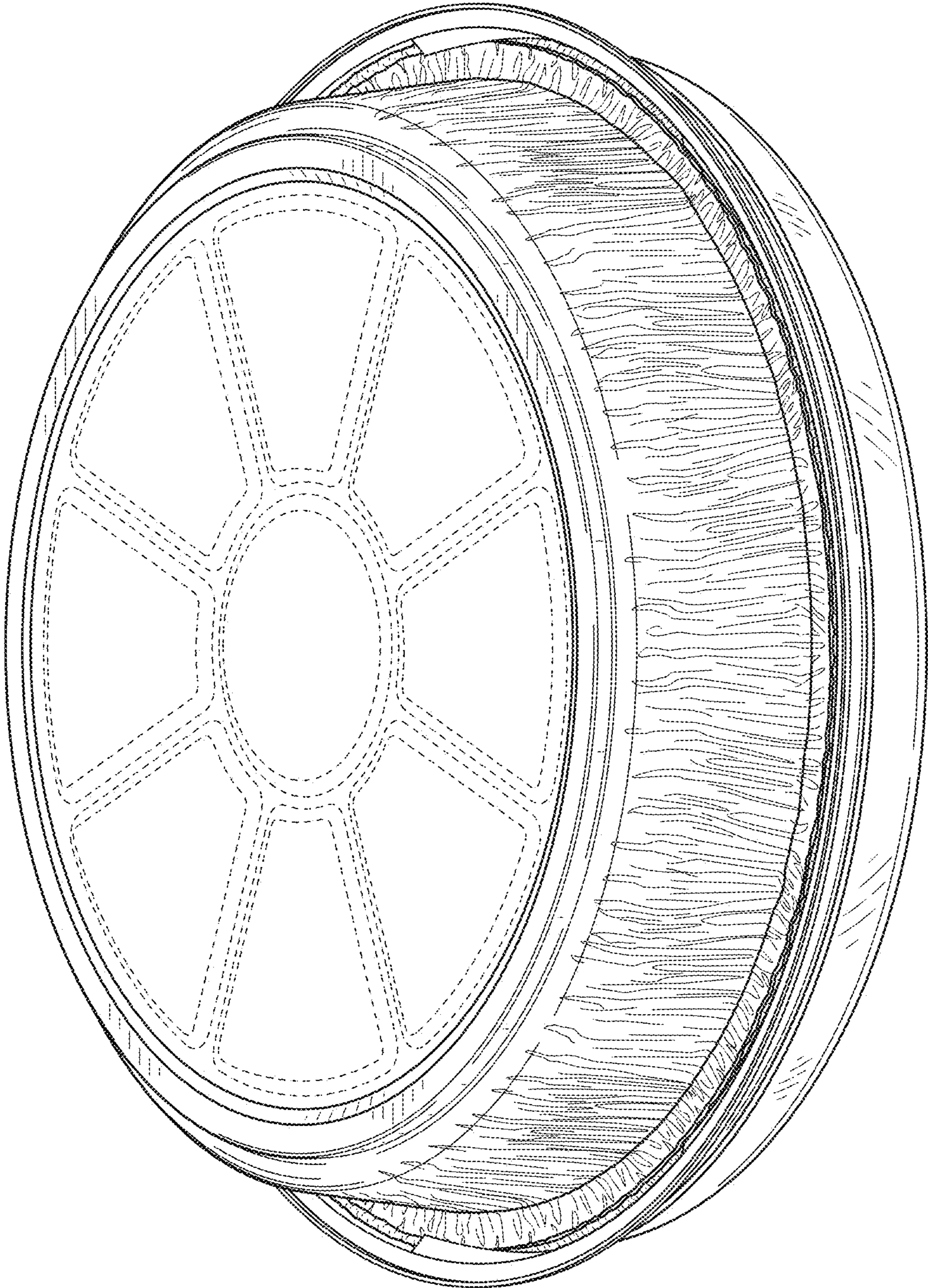


FIG. 8