



US00D876879S

(12) **United States Design Patent**
Sarnoff et al.

(10) **Patent No.:** **US D876,879 S**
(45) **Date of Patent:** **** *Mar. 3, 2020**

- (54) **PAN**
 - (71) Applicant: **HFA, INC.**, Wheeling, IL (US)
 - (72) Inventors: **Brad Sarnoff**, Highland Park, IL (US);
Norton Sarnoff, Boca Raton, FL (US);
Raj Patel, Kildeer, IL (US)
 - (73) Assignee: **Handi-Foil Corporation**, Wheeling, IL (US)
 - (*) Notice: This patent is subject to a terminal disclaimer.
 - (**) Term: **15 Years**
 - (21) Appl. No.: **29/640,935**
 - (22) Filed: **Mar. 19, 2018**
 - (51) **LOC (12) Cl.** **07-02**
 - (52) **U.S. Cl.**
USPC **D7/359**
 - (58) **Field of Classification Search**
USPC D7/323, 339, 352, 354-366, 396.1, 402,
D7/409
CPC .. A21B 3/00; A21B 3/13; A21B 3/131; A21B 3/132; A21B 3/135; A21B 3/136; A21B 3/137; A21B 3/15; A21B 5/00; A21B 5/02; A21B 5/04; A47J 27/00; A47J 37/00; A47J 37/01; A47J 37/04; A47J 37/06; A47J 37/10; A47J 37/0611; A47J 37/08; A47J 37/0807; A47J 37/0814; A47J 37/0835; A47J 37/0842; A47J 37/085; A47J 37/0864; A47J 37/0878; A47J 37/0885; A47J 37/0892; A47J 36/00; A47J 36/02; A47J 36/06; A47J 36/16; A47J 36/24; A47J 36/022; A47J 36/027; A47J 43/20
- See application file for complete search history.

(56) **References Cited**

U.S. PATENT DOCUMENTS

- 3,021,990 A * 2/1962 Duskey B65D 1/34
206/519
- D321,809 S * 11/1991 Zobrist D7/354
- D391,850 S * 3/1998 Krupa D9/425

(Continued)

FOREIGN PATENT DOCUMENTS

JP 09051853 A * 2/1997

OTHER PUBLICATIONS

HandiFoil 7" Takeout to-Go Round Disposable Aluminum Foil Pan Sets with Plastic Dome Lids, reviewed Mar. 12, 2016 [online], retrieved Sep. 11, 2019, retrieved from internet, https://www.amazon.com/HandiFoil-Takeout-Disposable-Aluminum-Plastic/dp/B00W0HMEGY/ref=cm_cr_arp_d_product_top?ie=UTF8 (Year: 2016).*

Primary Examiner — Barbara Fox

Assistant Examiner — Messina L Smith

(74) *Attorney, Agent, or Firm* — Adam K. Sacharoff; Much Shelist, P.C.

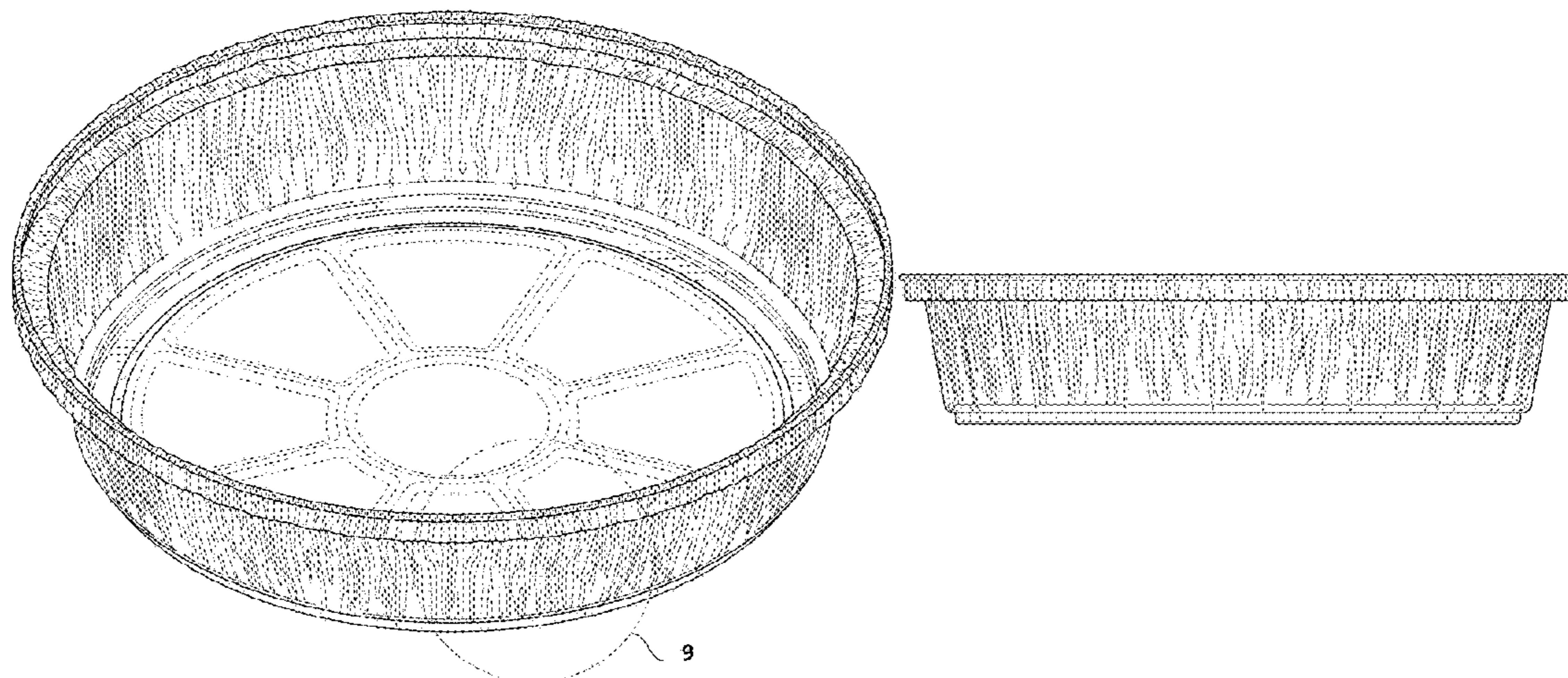
(57) **CLAIM**

The ornamental design for a pan, as shown and described.

DESCRIPTION

FIG. 1 is a front side perspective view of a pan showing the new design;
 FIG. 2 is a left side view thereof;
 FIG. 3 is a right side view thereof;
 FIG. 4 is a front view thereof;
 FIG. 5 is a rear side view thereof;
 FIG. 6 is a top plan view thereof;
 FIG. 7 is a bottom plan view thereof;
 FIG. 8 is a bottom perspective view thereof;
 FIG. 9 is an enlarged front side perspective view of the circled portion of the pan in FIG. 1; and,
 FIG. 10 is an enlarged bottom front side perspective view of the circled portion of the pan in FIG. 8.
 The broken lines shown in the drawings depict portions of the pan that form no part of the claimed design.

1 Claim, 6 Drawing Sheets



(56)

References Cited

U.S. PATENT DOCUMENTS

6,401,602 B1 * 6/2002 Lin A47J 27/026
126/369
D545,627 S * 7/2007 Chatterton D7/538
D553,819 S * 10/2007 Brothers D30/129
D554,316 S * 10/2007 Brothers D30/129
D598,744 S * 8/2009 Shields D9/425
D648,976 S * 11/2011 Thurlow D7/354
D766,110 S * 9/2016 Whitis D9/737
D807,704 S * 1/2018 Epstein D7/554.2
D810,495 S * 2/2018 Yau D7/354
D815,898 S * 4/2018 Castriota D7/402
D820,027 S * 6/2018 Weernink D7/354
D821,140 S * 6/2018 Mirchandani D7/409
D830,110 S * 10/2018 Mirchandani D7/359
2013/0199380 A1 * 8/2013 Pugh A47J 36/022
99/426

* cited by examiner

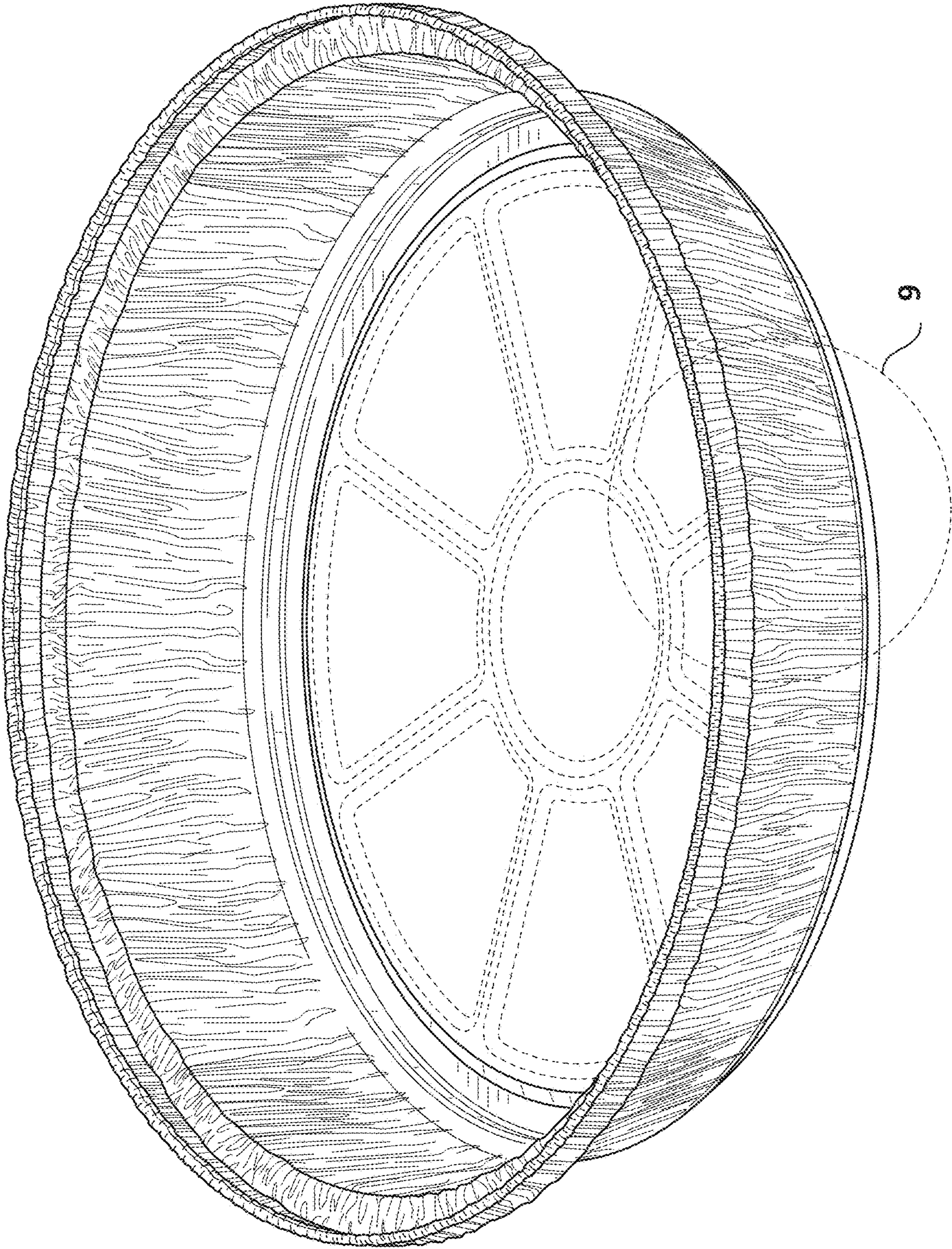


FIG. 1

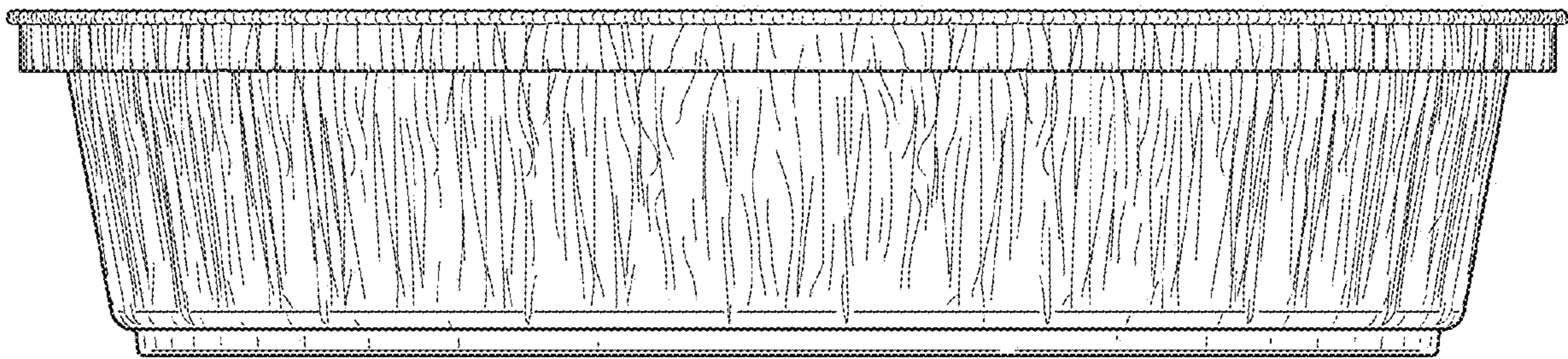


FIG. 2

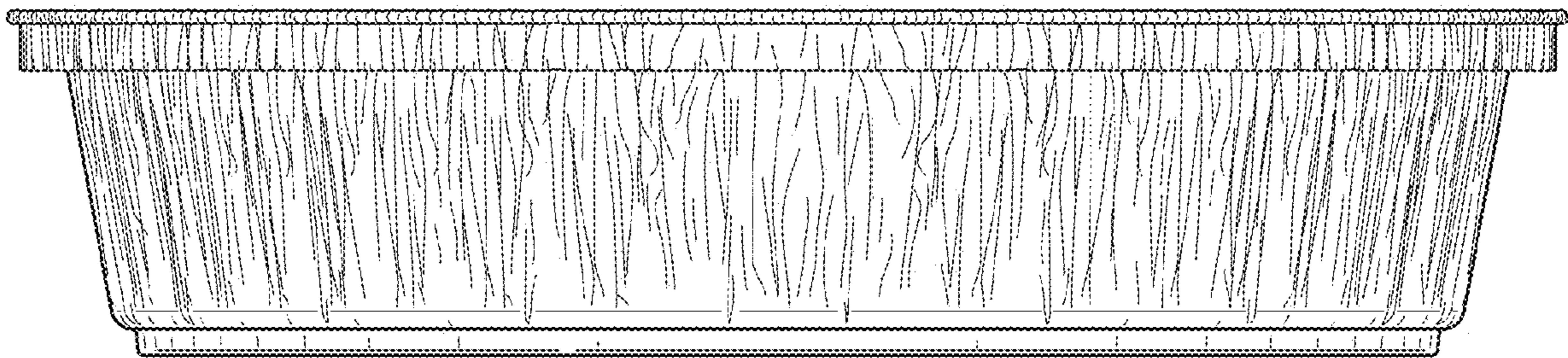


FIG. 3

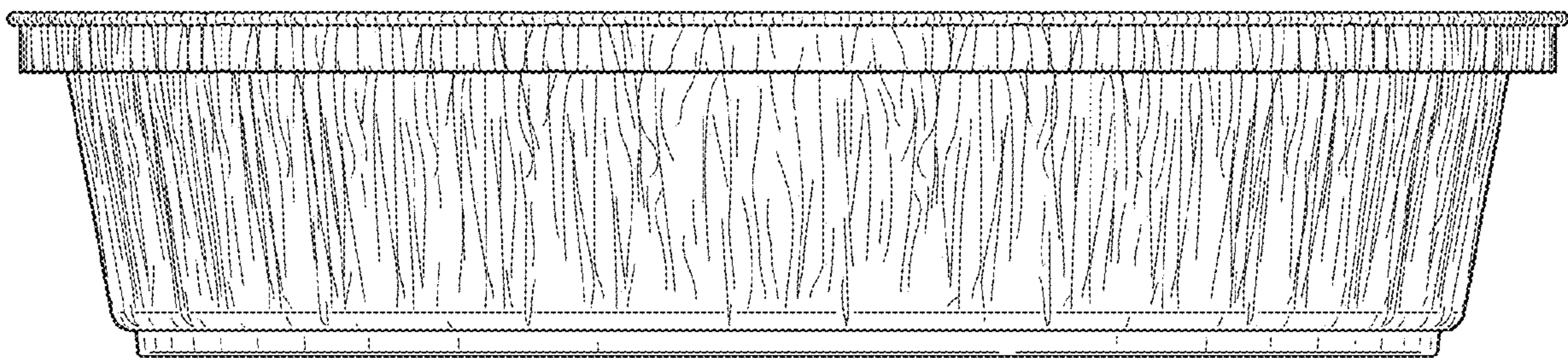


FIG. 4

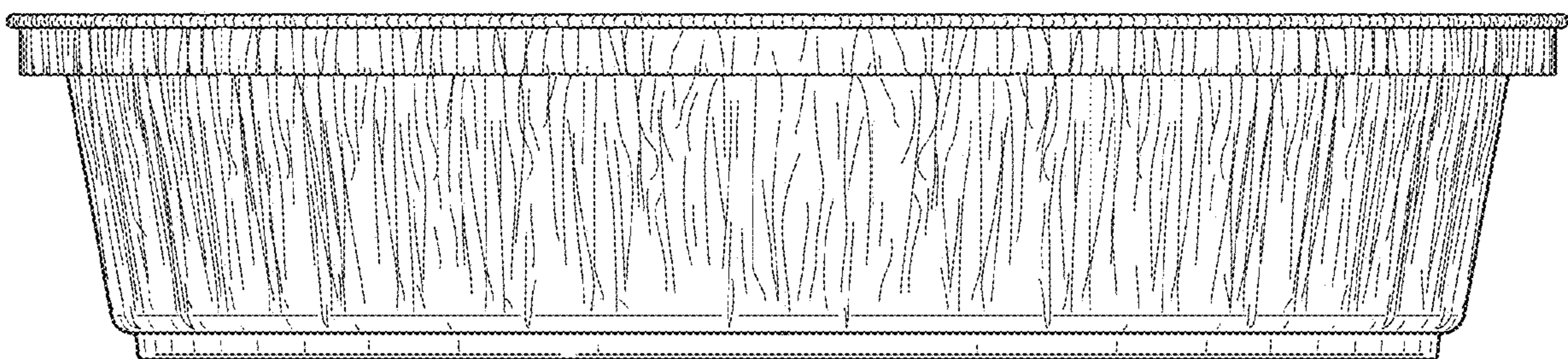


FIG. 5

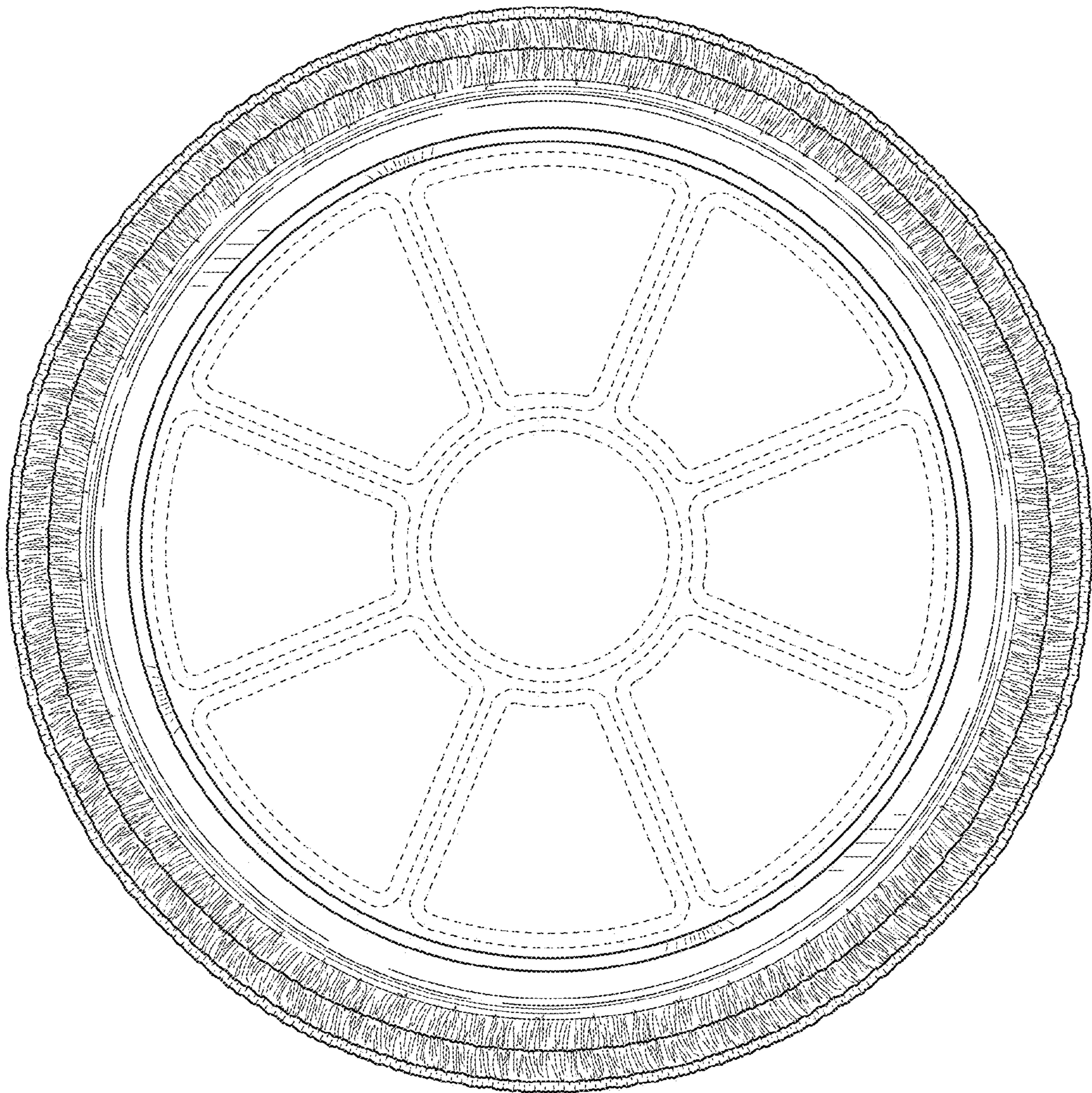


FIG. 6

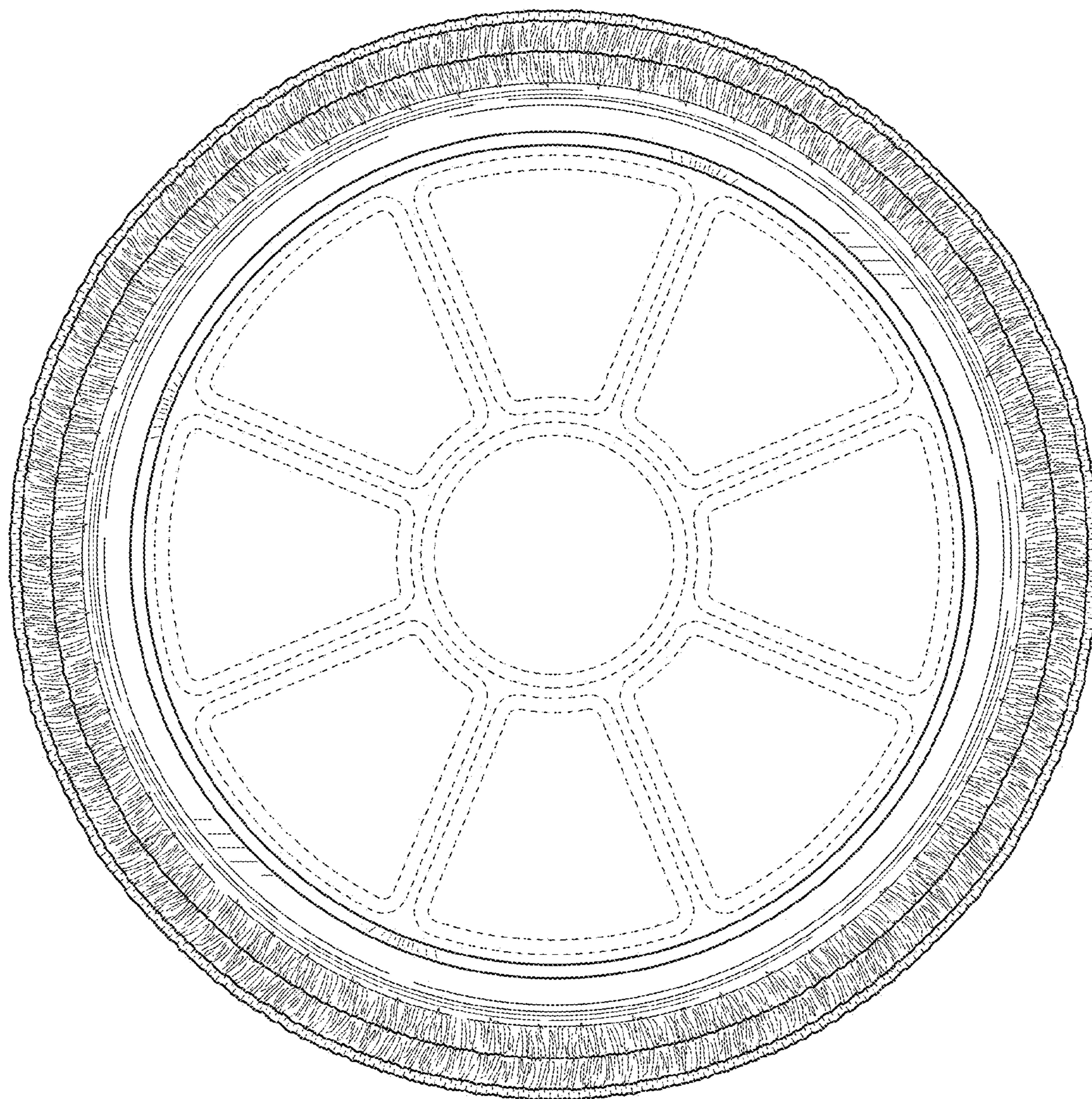


FIG. 7

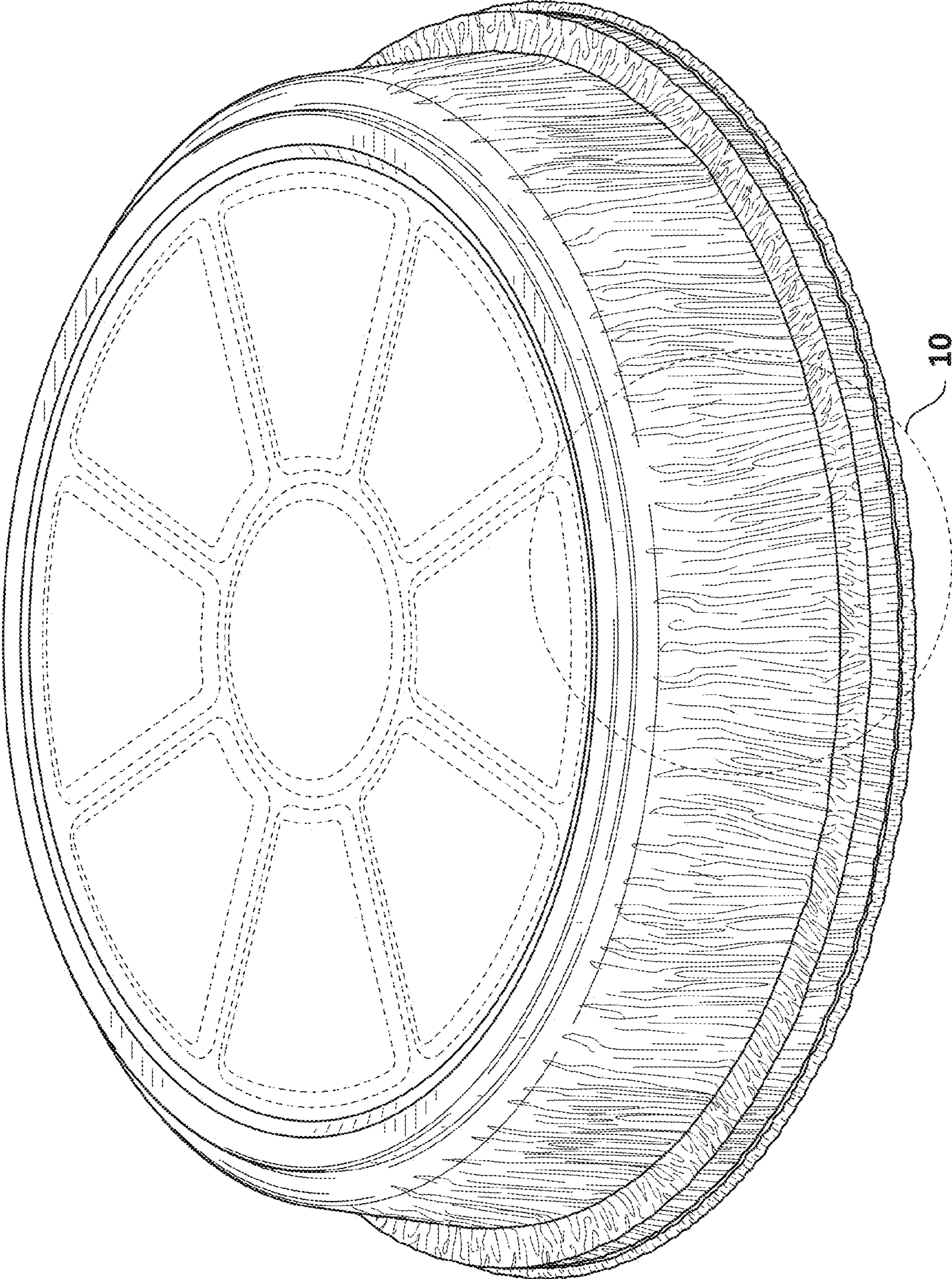


FIG. 8

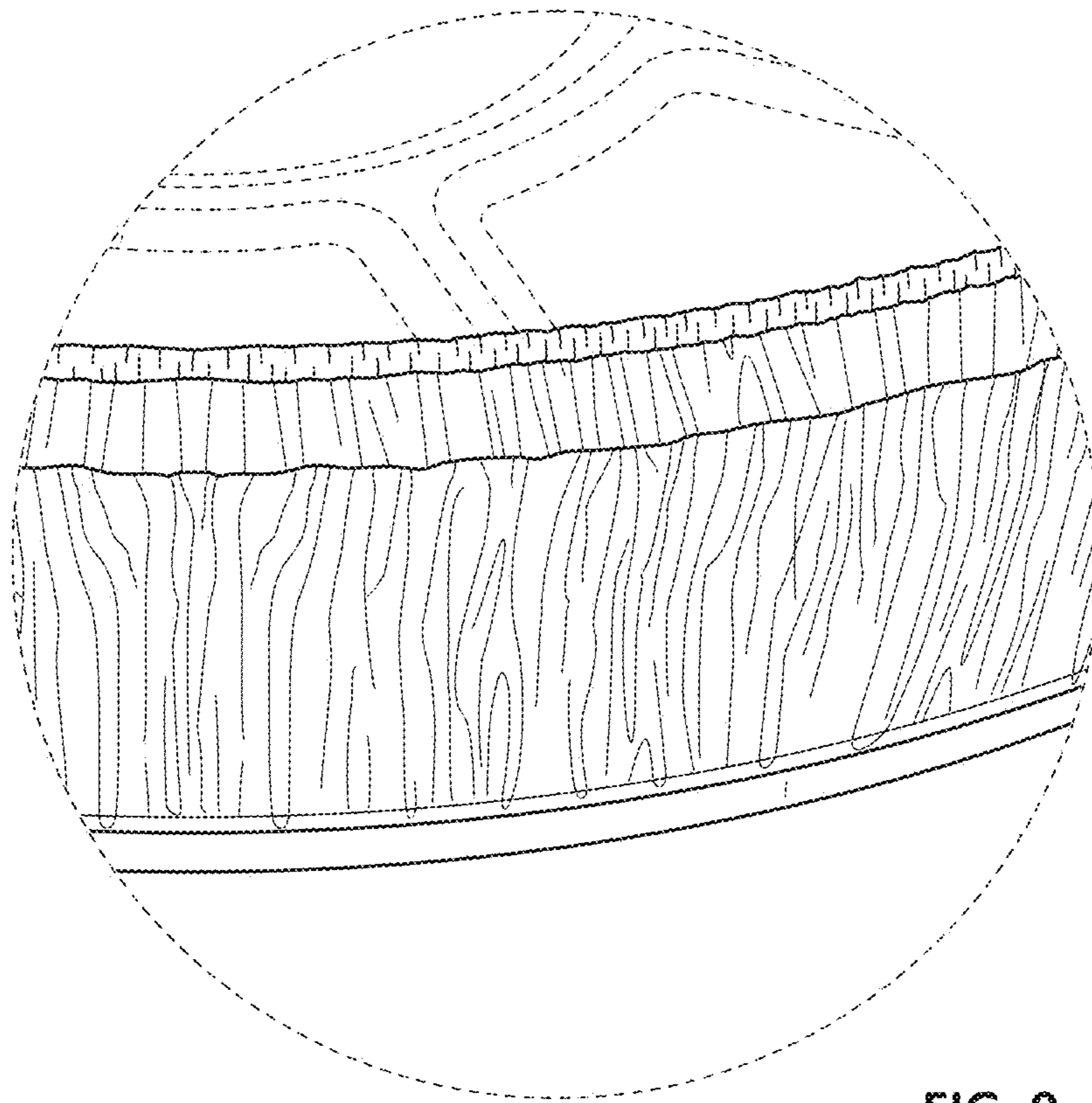


FIG. 9

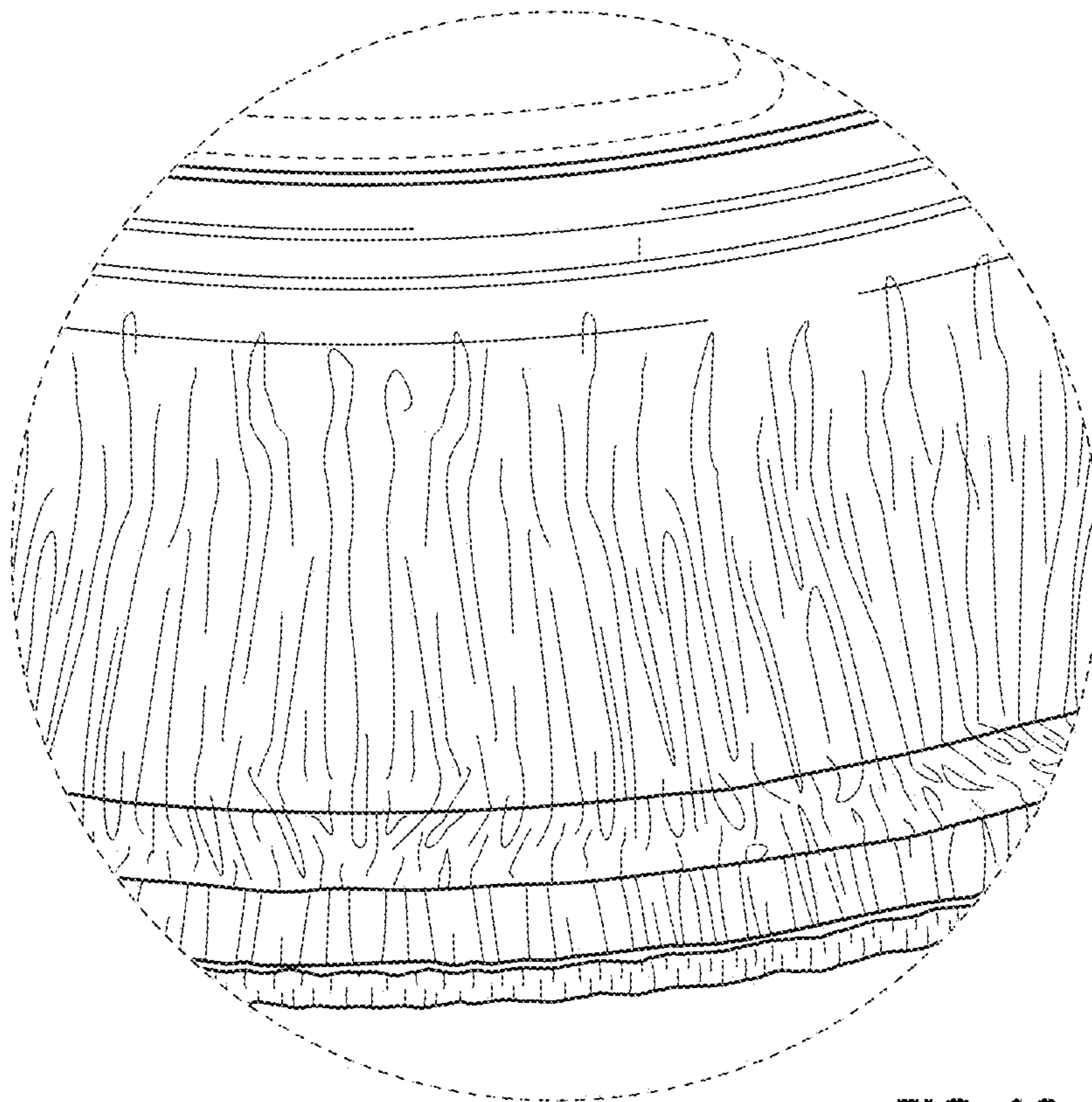


FIG. 10