



US00D876877S

(12) **United States Design Patent**  
**Cheng**

(10) **Patent No.:** **US D876,877 S**  
(45) **Date of Patent:** **\*\* Mar. 3, 2020**

(54) **COOKING VESSEL**

(71) Applicant: **Meyer Intellectual Properties Ltd.**,  
Kowloon (HK)

(72) Inventor: **Stanley Kin Sui Cheng**, Hillsborough,  
CA (US)

(73) Assignee: **Meyer Intellectual Properties Limited**  
(VG)

(\*\*) Term: **15 Years**

(21) Appl. No.: **29/636,811**

(22) Filed: **Feb. 12, 2018**

(51) **LOC (12) Cl.** ..... **07-02**

(52) **U.S. Cl.**  
USPC ..... **D7/359**

(58) **Field of Classification Search**  
USPC ..... D7/323, 339, 352, 354-366, 396.1, 402,  
D7/409

(Continued)

(56) **References Cited**

**U.S. PATENT DOCUMENTS**

3,313,919 A \* 4/1967 Richardson ..... F24C 15/10  
126/221  
6,298,775 B1 \* 10/2001 Chen ..... A47J 45/061  
16/111.1

(Continued)

**FOREIGN PATENT DOCUMENTS**

JP D1352765 S 3/2009  
JP D1554845 S 7/2016

**OTHER PUBLICATIONS**

Le Creuset Square Skillet Grill Pan, posted Apr. 26, 2000 [online],  
retrieved Jul. 4, 2019, retrieved from internet, <https://www.amazon.com/Creuset-Square-Skillet-Grill-Pan/dp/B00004SBI4>.\*

(Continued)

*Primary Examiner* — Barbara Fox

*Assistant Examiner* — Messina L Smith

(74) *Attorney, Agent, or Firm* — Edward S. Sherman

(57) **CLAIM**

The ornamental design for a cooking vessel, as shown and described.

**DESCRIPTION**

FIG. 1 is a perspective view of a cooking vessel, showing my new design;

FIG. 2 is a top plan view thereof;

FIG. 3 is a bottom plan view thereof;

FIG. 4 is a right side elevation view thereof;

FIG. 5 is a left side elevation view thereof;

FIG. 6 is a front elevation view thereof;

FIG. 7 is a back elevation view thereof;

FIG. 8 is a cross-sectional elevation view thereof which corresponds to the view in FIG. 4, taken at section line 8-8 in FIG. 3;

FIG. 9 is an enlarged fragmentary view of the encircled portion in FIG. 8;

FIG. 10 is a perspective view of a second embodiment of the cooking vessel, showing my new design;

FIG. 11 is a top plan view thereof;

FIG. 12 is a bottom plan view thereof;

FIG. 13 is a right side elevation view thereof;

FIG. 14 is a the left side elevation view thereof;

FIG. 15 is a front elevation view thereof;

FIG. 16 is a back elevation view thereof;

FIG. 17 is a cross-sectional elevation view thereof which corresponds to the view in FIG. 13, taken at section line 17-17 in FIG. 11;

FIG. 18 is an enlarged fragmentary view of the encircled portion in FIG. 8;

FIG. 19 is a perspective view of a third embodiment of the cooking vessel, showing my new design;

FIG. 20 is a top plan view thereof;

FIG. 21 is a bottom plan view thereof;

FIG. 22 is a right side elevation view thereof;

FIG. 23 is a the left side elevation view thereof;

FIG. 24 is a front elevation view thereof;

FIG. 25 is a back elevation view thereof;

(Continued)

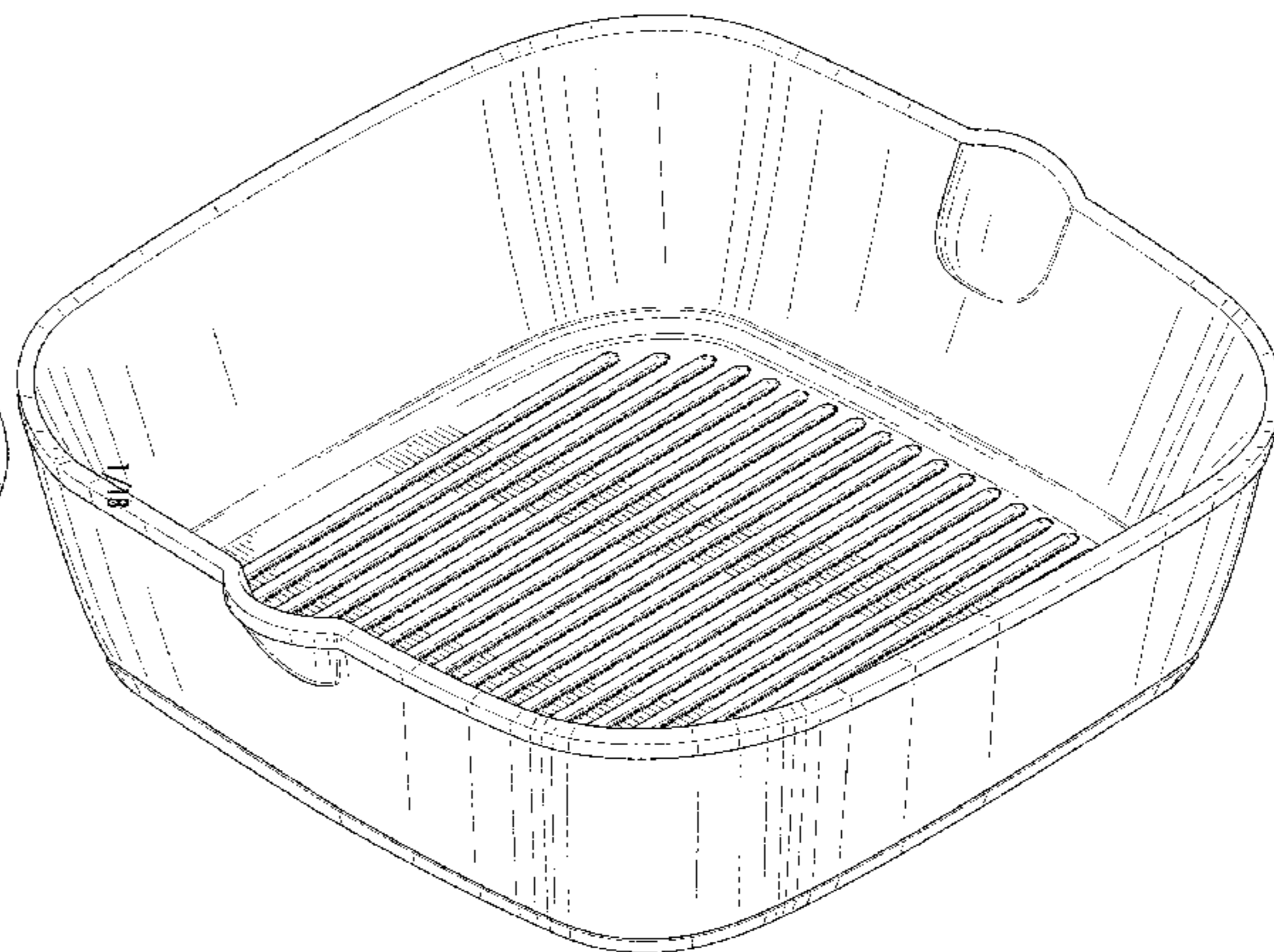
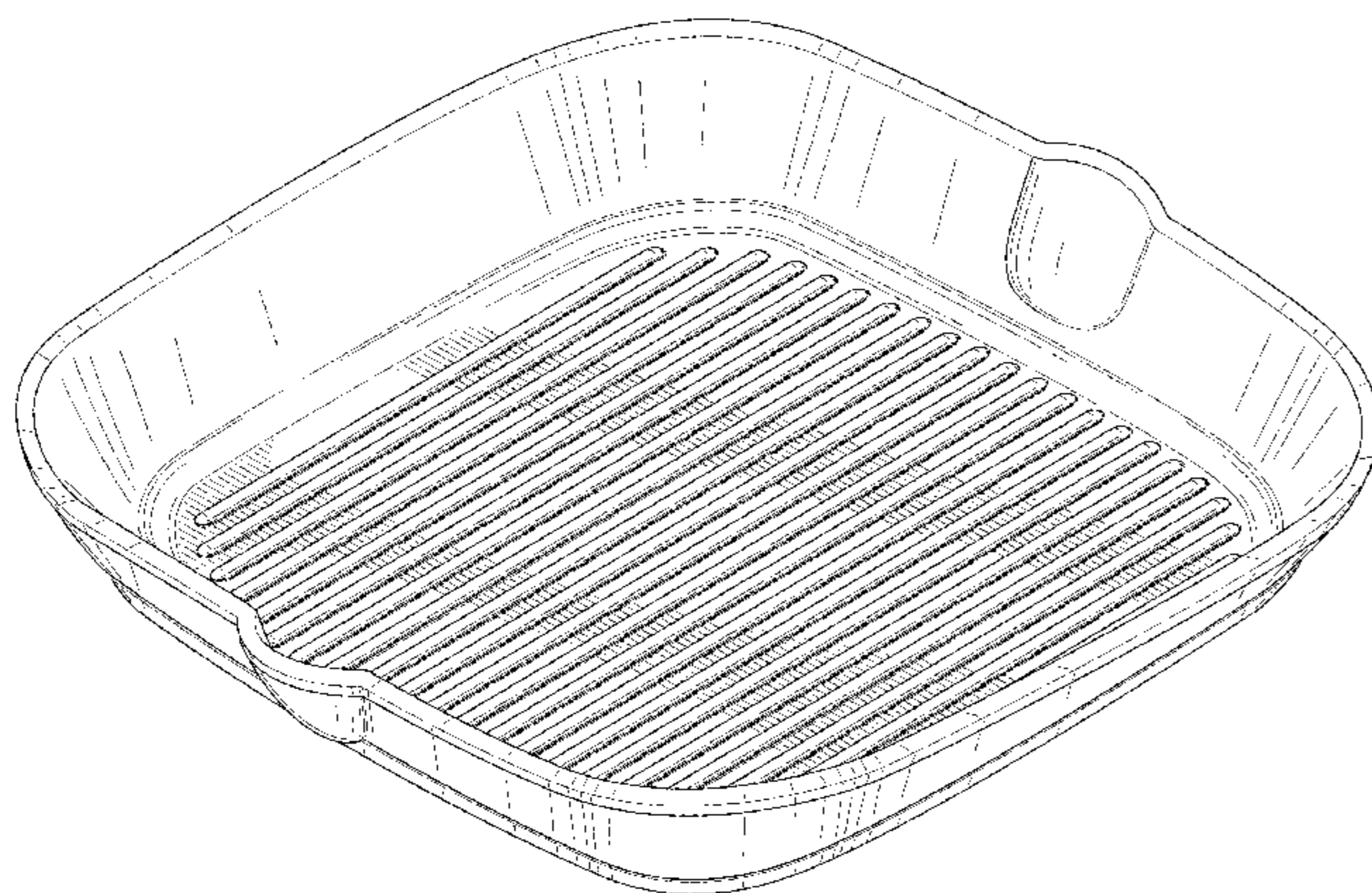


FIG. 26 is a cross-sectional elevation view thereof which corresponds to the view in FIG. 22, taken at section line 24-24 in FIG. 21; and,

FIG. 27 is an enlarged fragmentary view of the encircled portion in FIG. 26.

The broken lines shown in the drawings depict portions of the cooking vessel that form no part of the claimed design. The cooking vessel is shown with symbolic breaks in its length. The appearance of any portion of the article between the break lines forms no part of the claimed design.

**1 Claim, 18 Drawing Sheets**

(58) **Field of Classification Search**

CPC .. A21B 3/00; A21B 3/13; A21B 3/131; A21B 3/132; A21B 3/135; A21B 3/136; A21B 3/137; A21B 3/15; A21B 5/00; A21B 5/02; A21B 5/04; A47J 27/00; A47J 37/00; A47J 37/01; A47J 37/04; A47J 37/06; A47J 37/10; A47J 37/0611; A47J 37/08; A47J 37/0807; A47J 37/0814; A47J 37/0835; A47J 37/0842; A47J 37/085; A47J 37/0864; A47J 37/0878; A47J 37/0885; A47J 37/0892; A47J 36/00; A47J 36/02; A47J 36/06; A47J 36/16; A47J 36/24; A47J 36/022; A47J 36/027; A47J 43/20

See application file for complete search history.

(56)

**References Cited**

U.S. PATENT DOCUMENTS

D458,797	S	6/2002	Kellermann	
D470,711	S *	2/2003	Kloppsteck .....	D7/359
7,415,922	B2	8/2008	Cheng	
D627,193	S	11/2010	Marin	
D651,037	S	12/2011	Moodie et al.	
D653,075	S	1/2012	Lupkes	
D672,604	S	12/2012	Upston	
D697,751	S	1/2014	Schleinker	
D702,486	S *	4/2014	Bowden .....	D7/354
D731,231	S	6/2015	Steininger	
D772,641	S	11/2016	Mirchandani et al.	
D778,103	S	2/2017	Mirchandani et al.	
D778,664	S	2/2017	Mirchandani et al.	
D802,988	S	11/2017	Lovenwald	
D807,681	S *	1/2018	Lee .....	D7/359
D825,980	S *	8/2018	Tsai .....	D7/360
D828,714	S *	9/2018	Nagrani .....	D7/361
D851,981	S *	6/2019	Lee .....	D7/359
2005/0204931	A1 *	9/2005	Cheng .....	A47J 37/067 99/422
2005/0211106	A1 *	9/2005	Dierkes .....	A47J 37/10 99/422
2008/0035139	A1	2/2008	Marin	

OTHER PUBLICATIONS

Translation of Taiwan Patent Office Search Report in Appl. No. 107303655.

\* cited by examiner

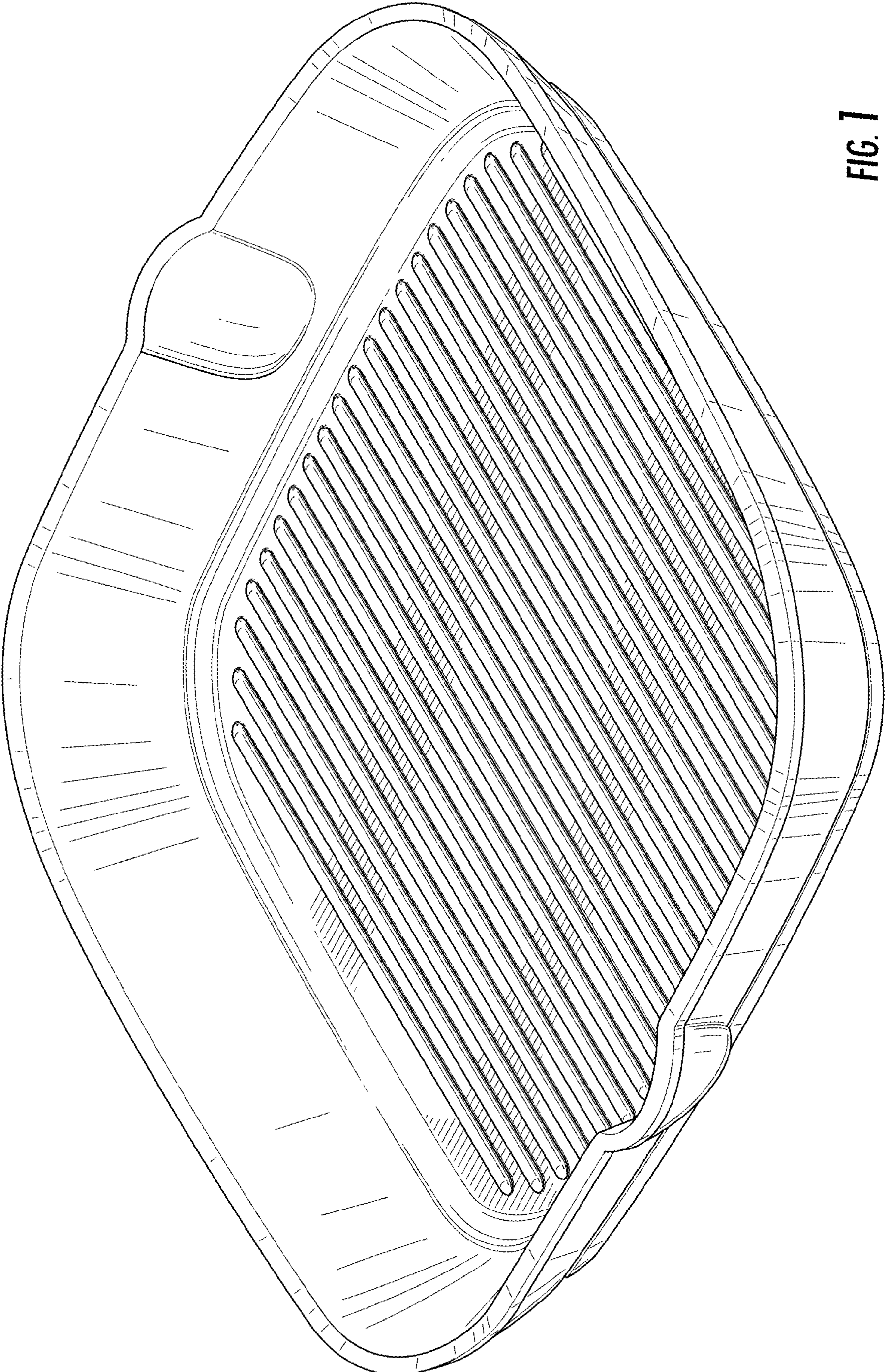


FIG. 1

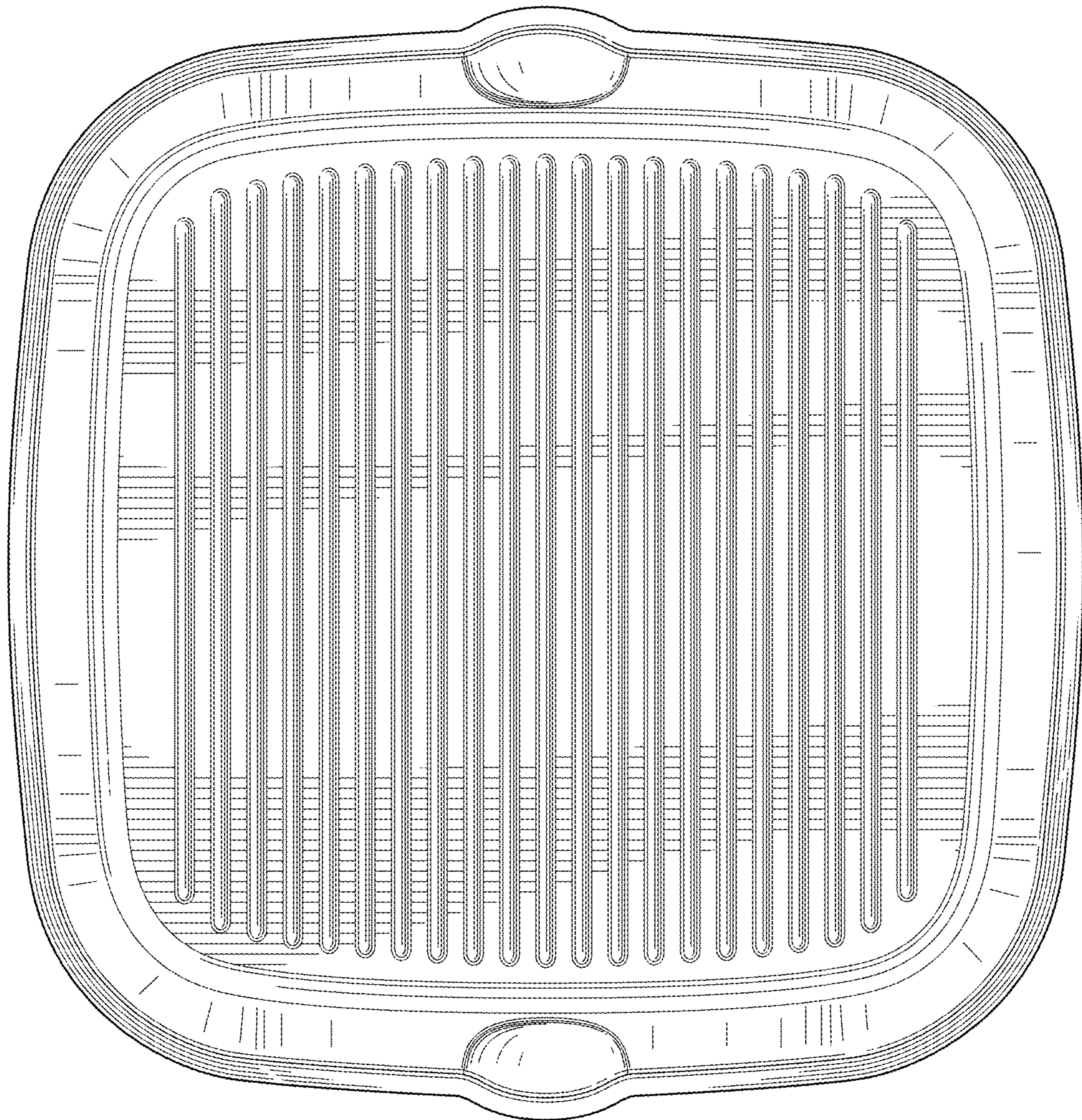


FIG. 2

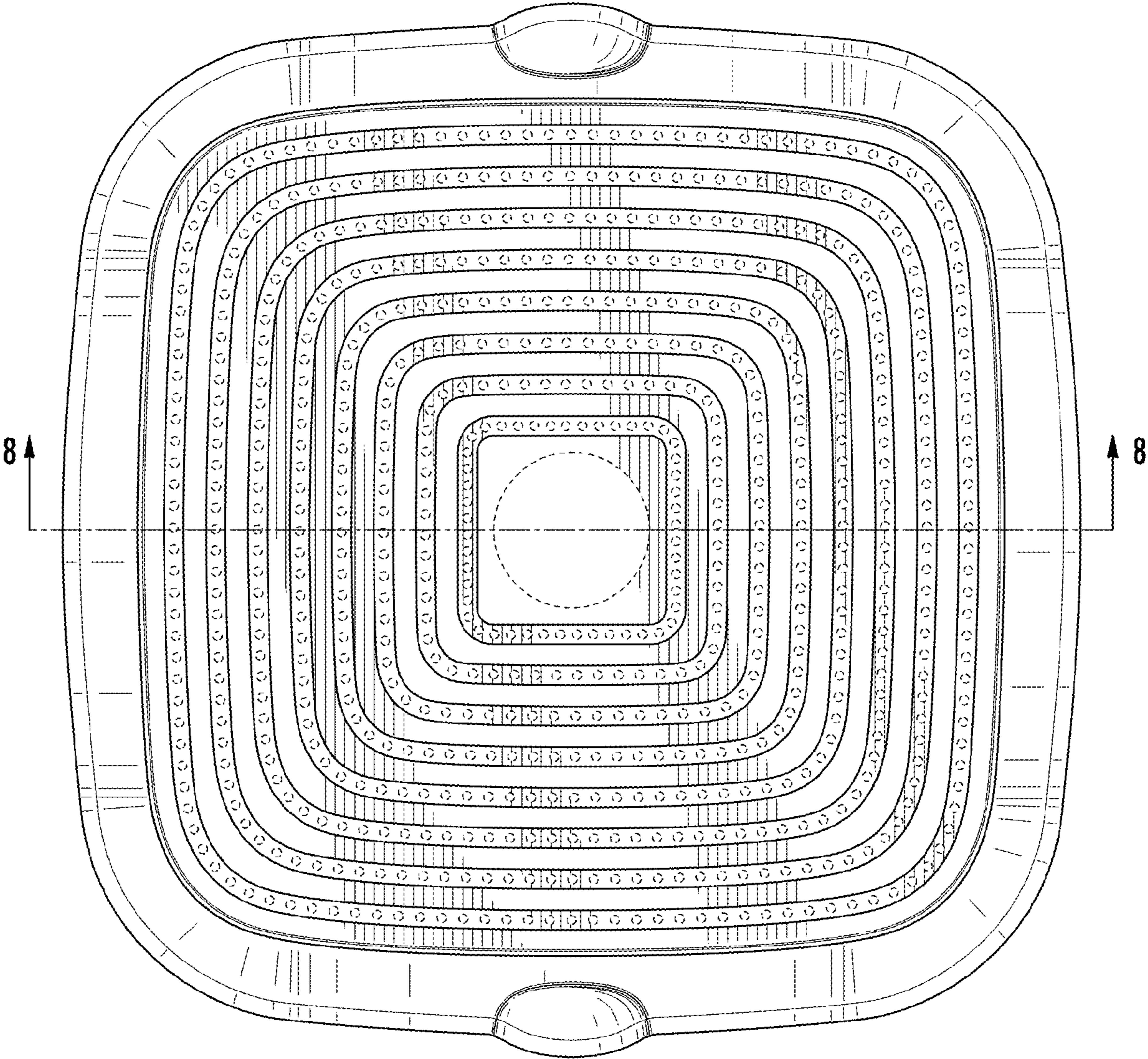
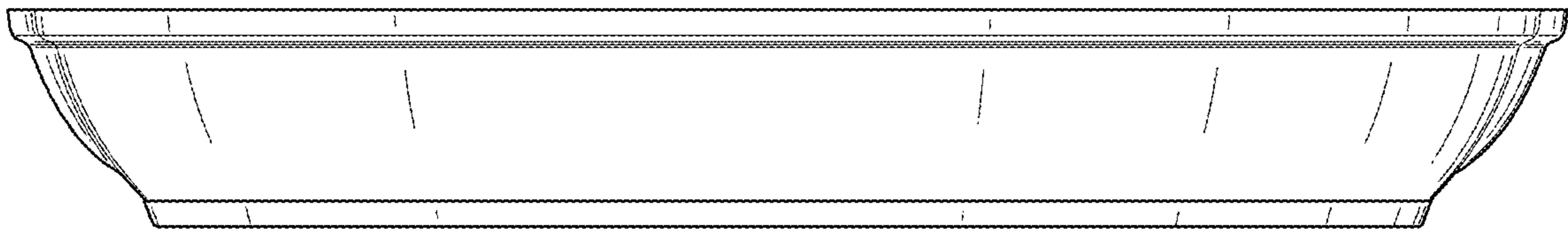
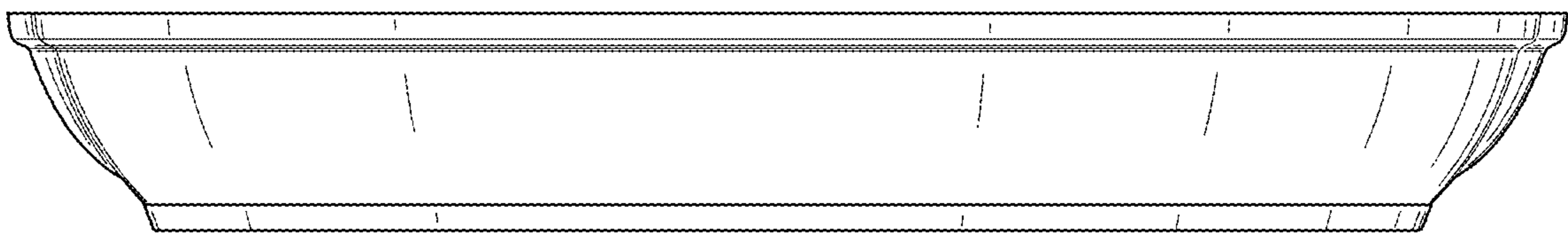


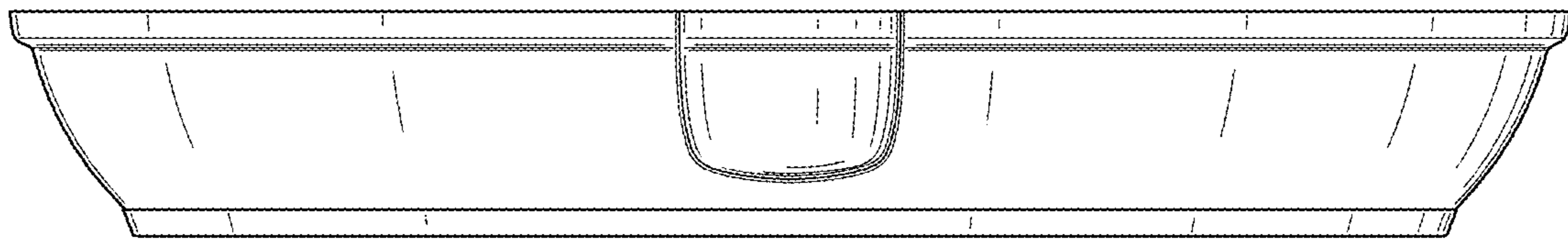
FIG. 3



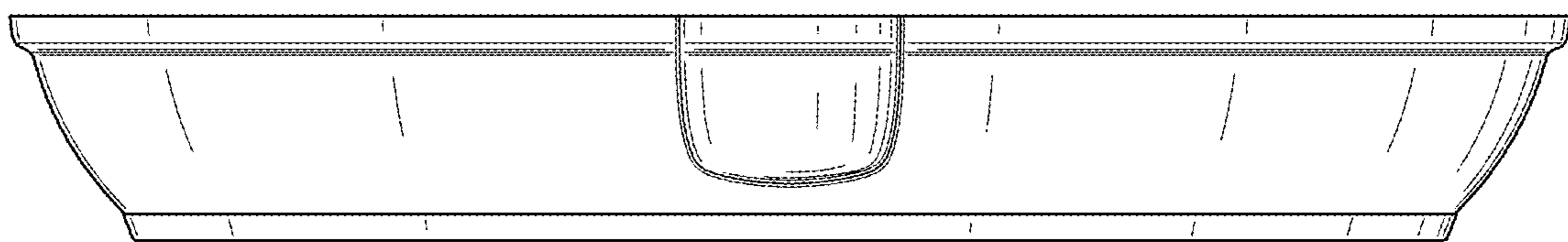
**FIG. 4**



**FIG. 5**



**FIG. 6**



**FIG. 7**

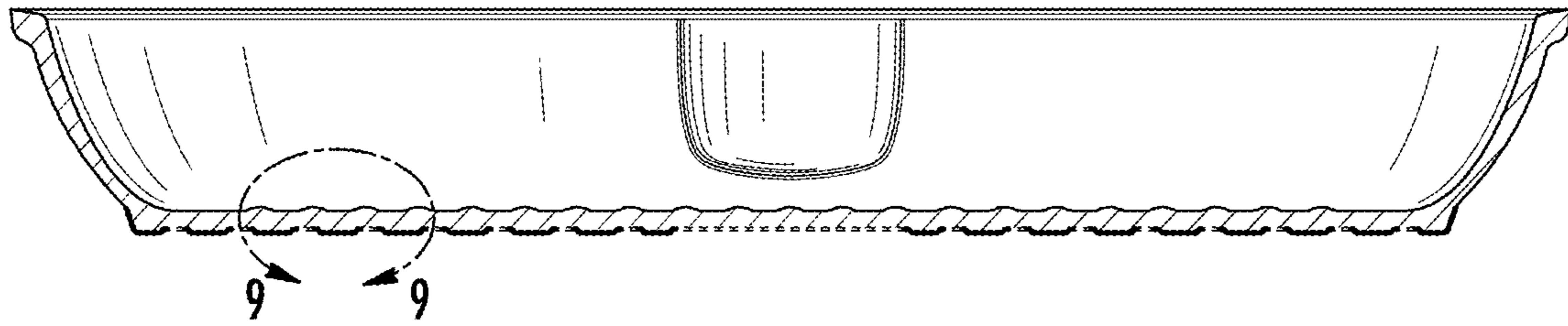


FIG. 8

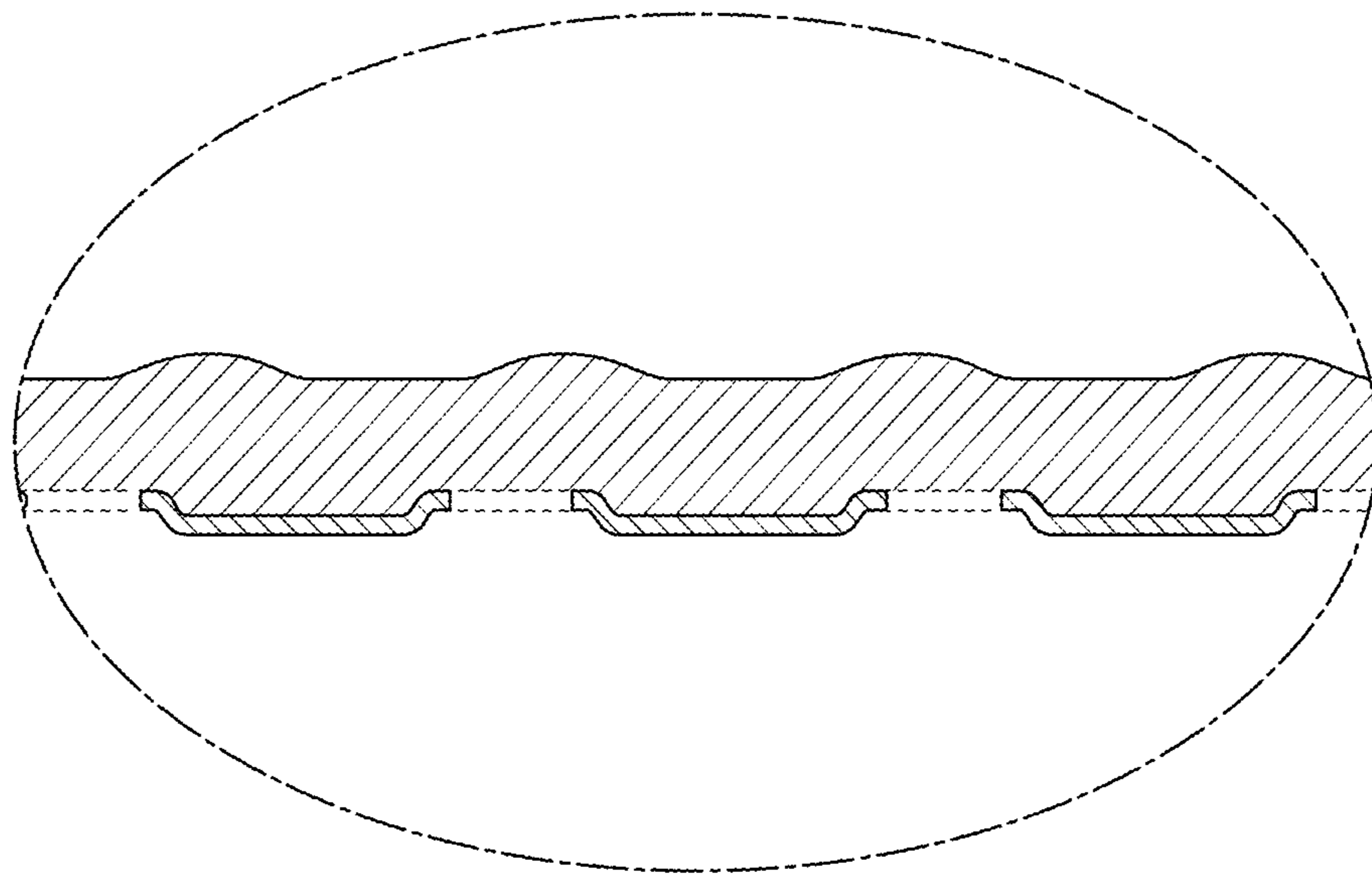


FIG. 9



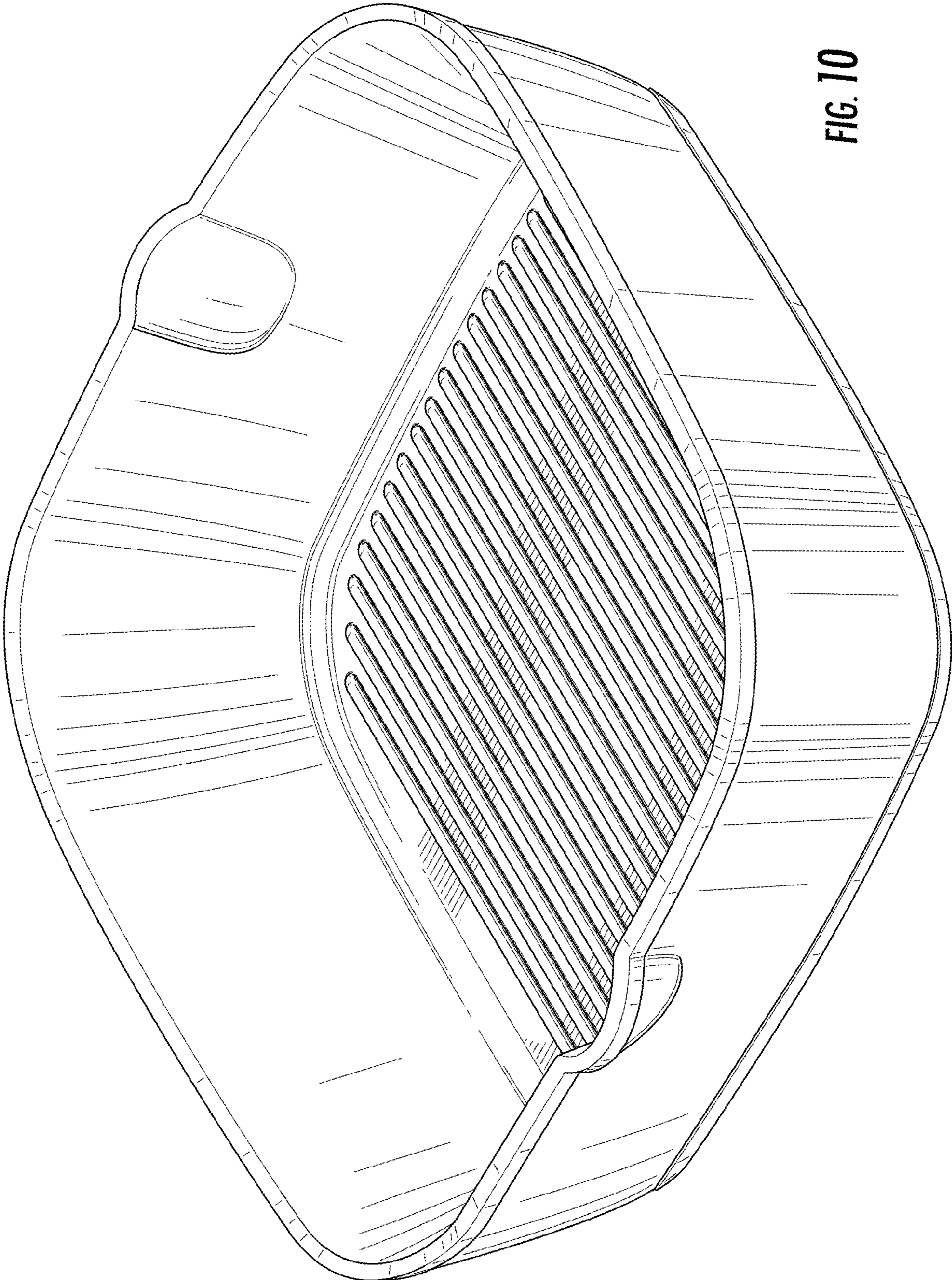
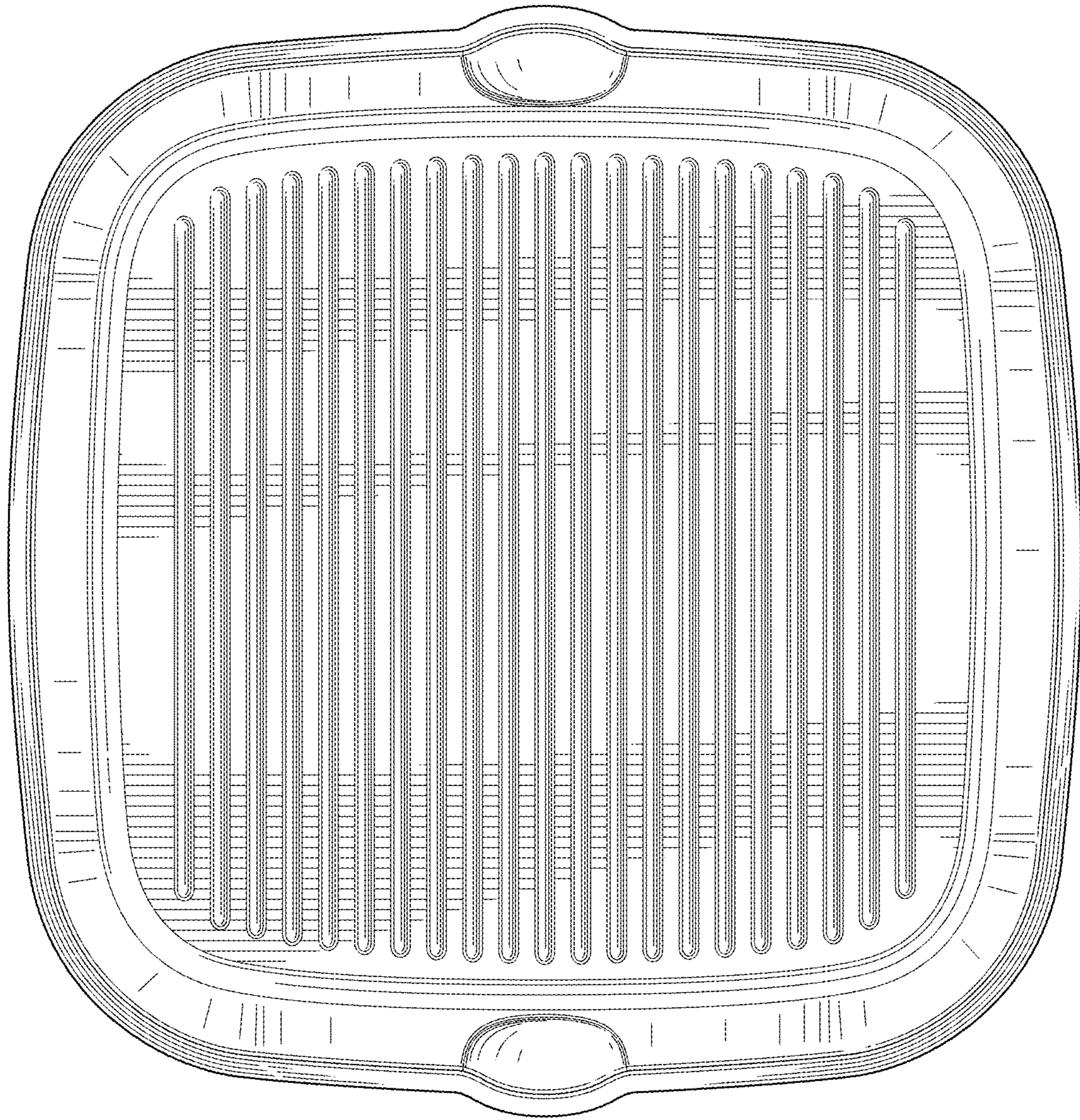


FIG. 10



**FIG. 11**

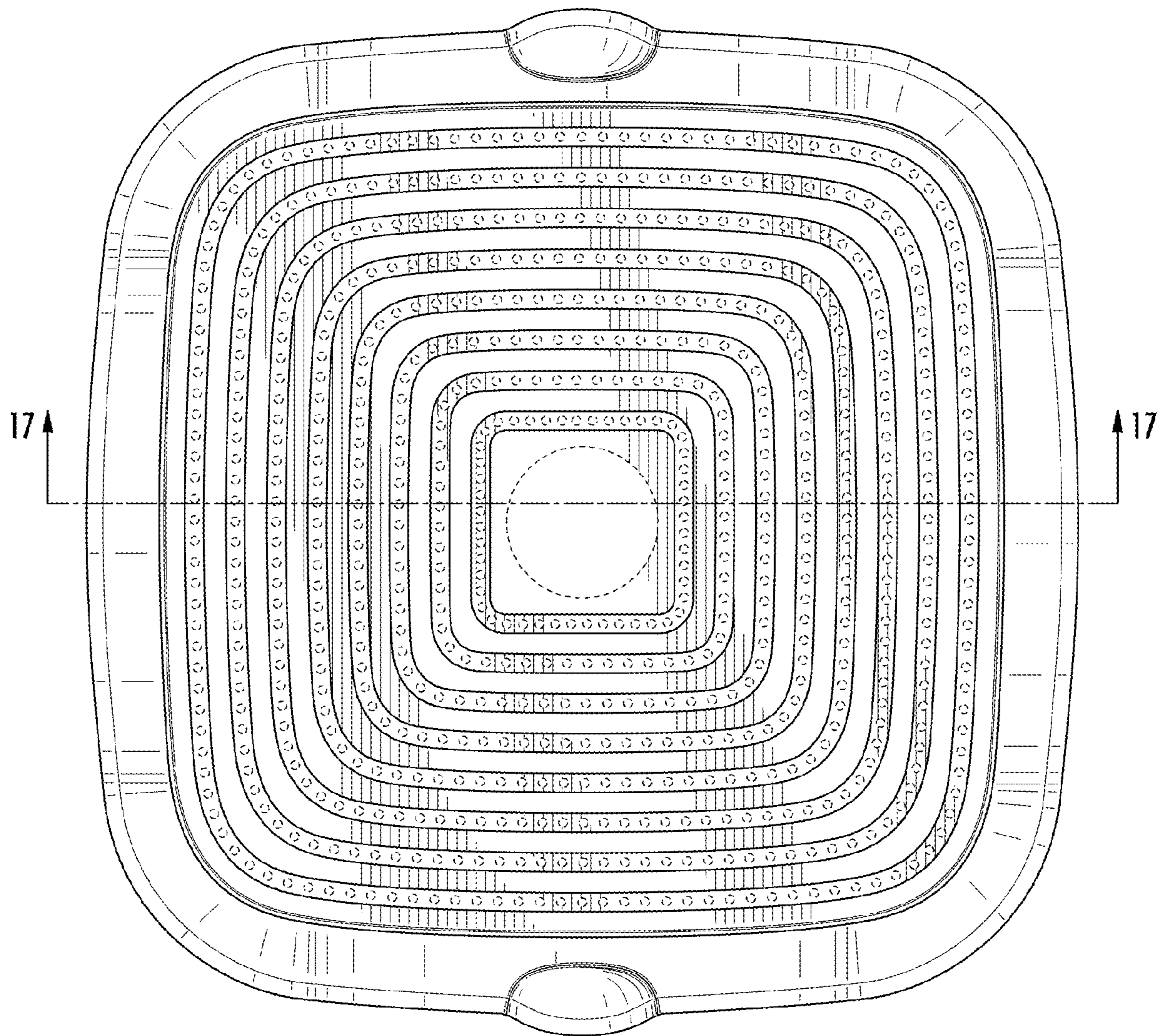
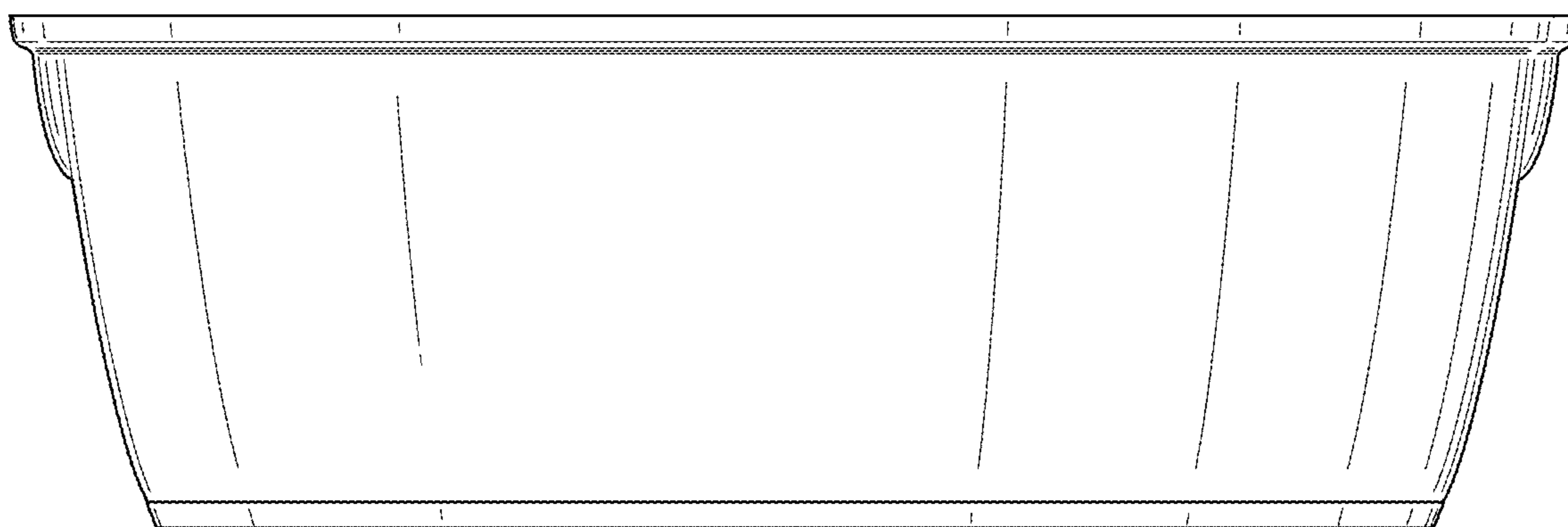
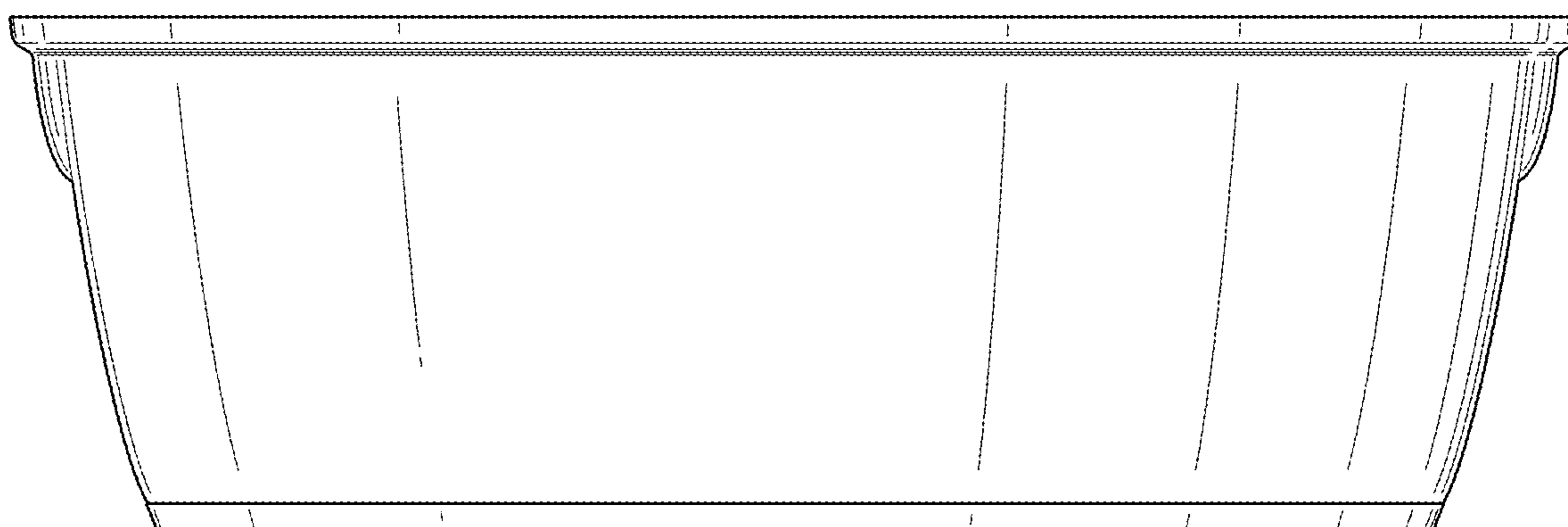


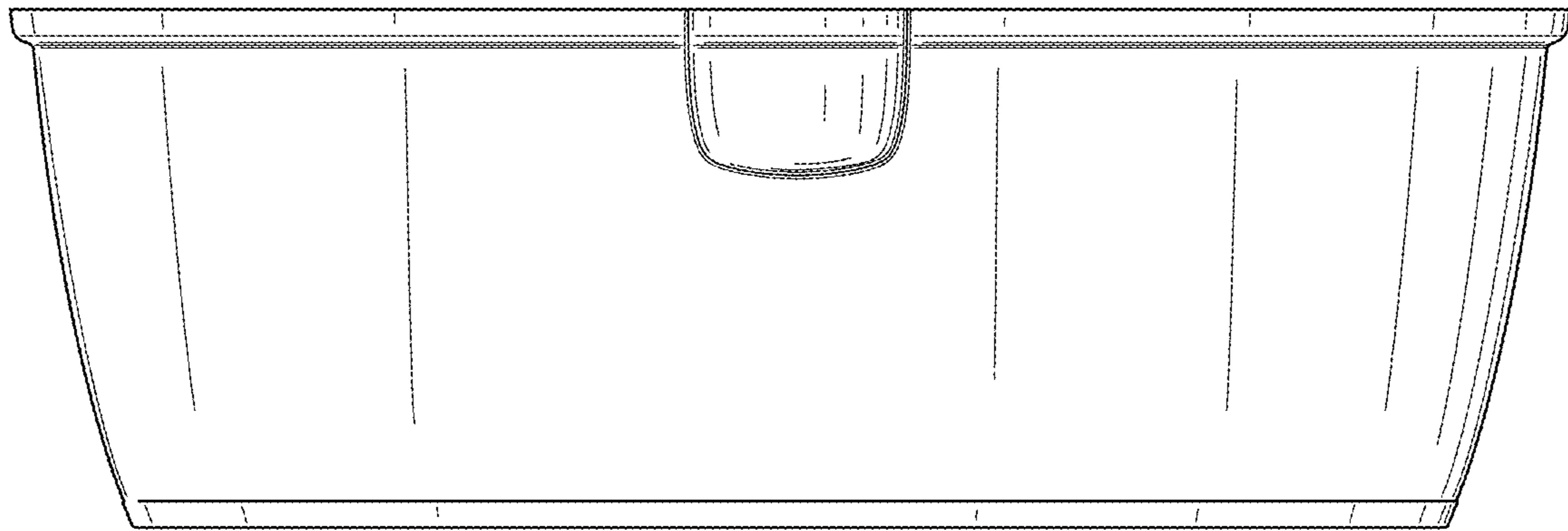
FIG. 12



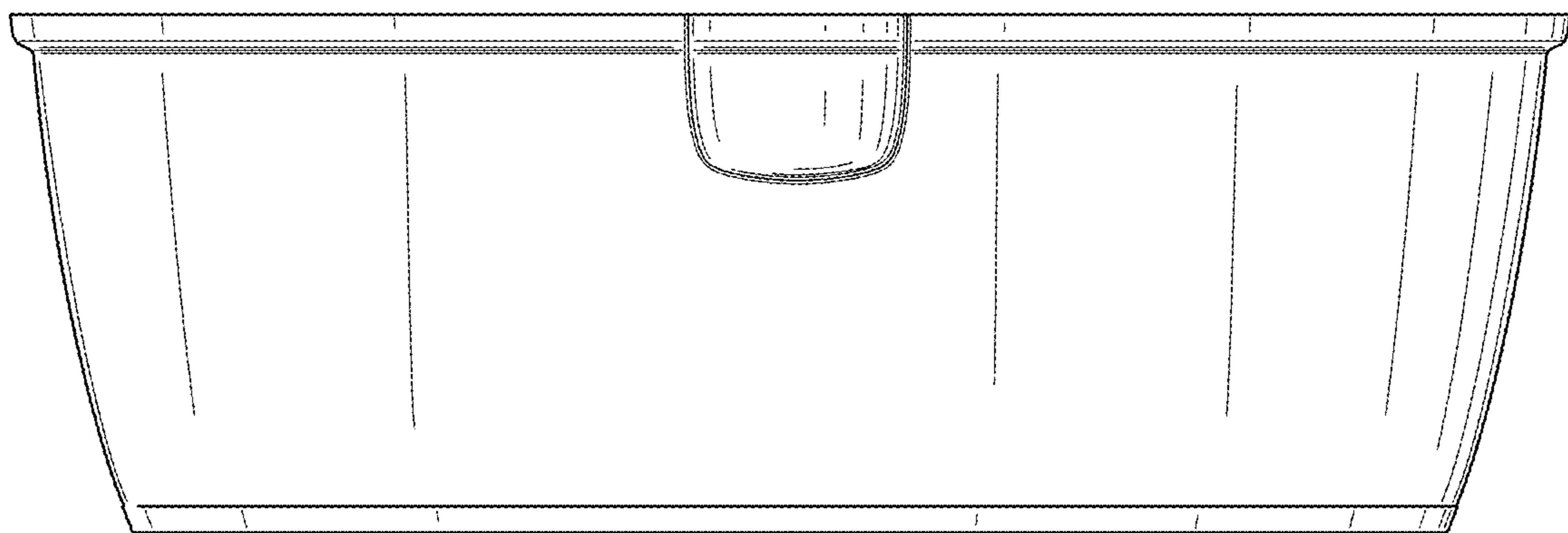
**FIG. 13**



**FIG. 14**



**FIG. 15**



**FIG. 16**

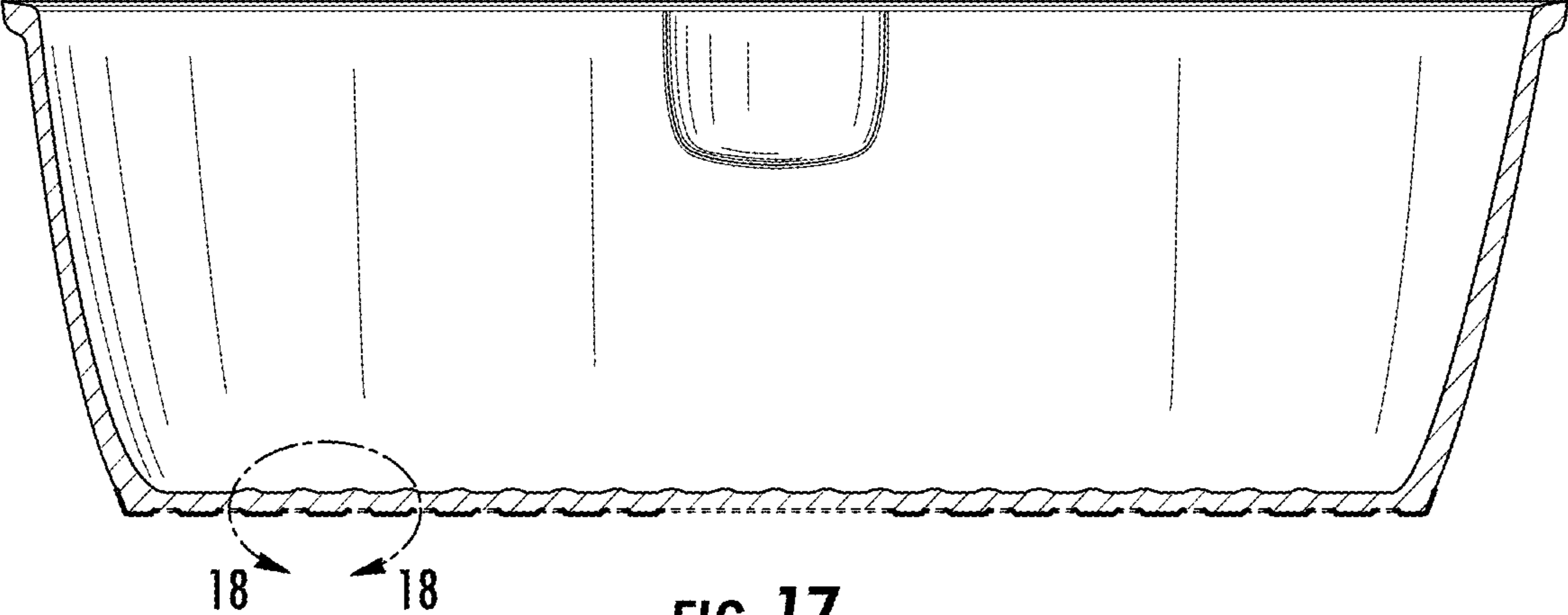


FIG. 17

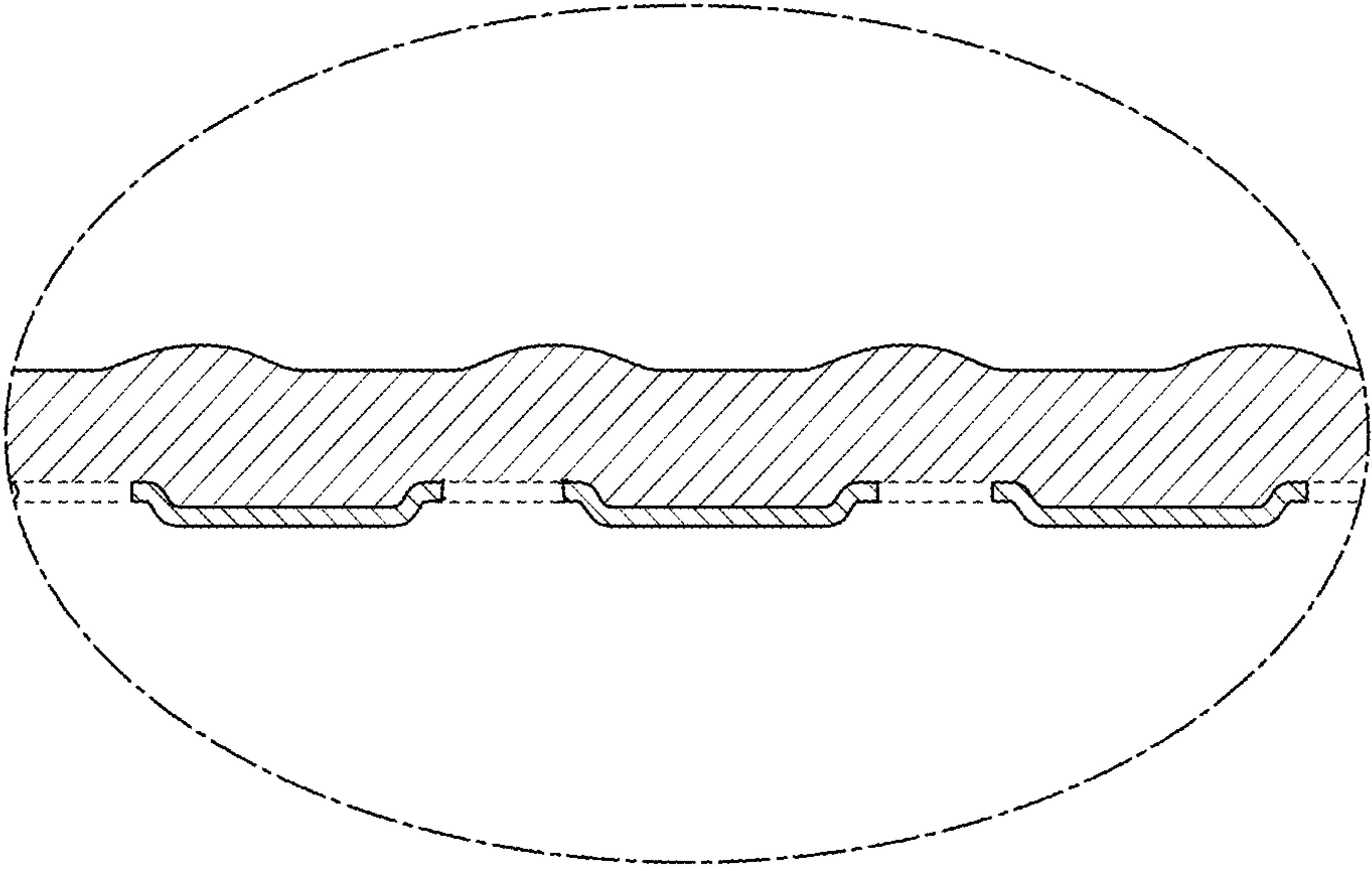


FIG. 18

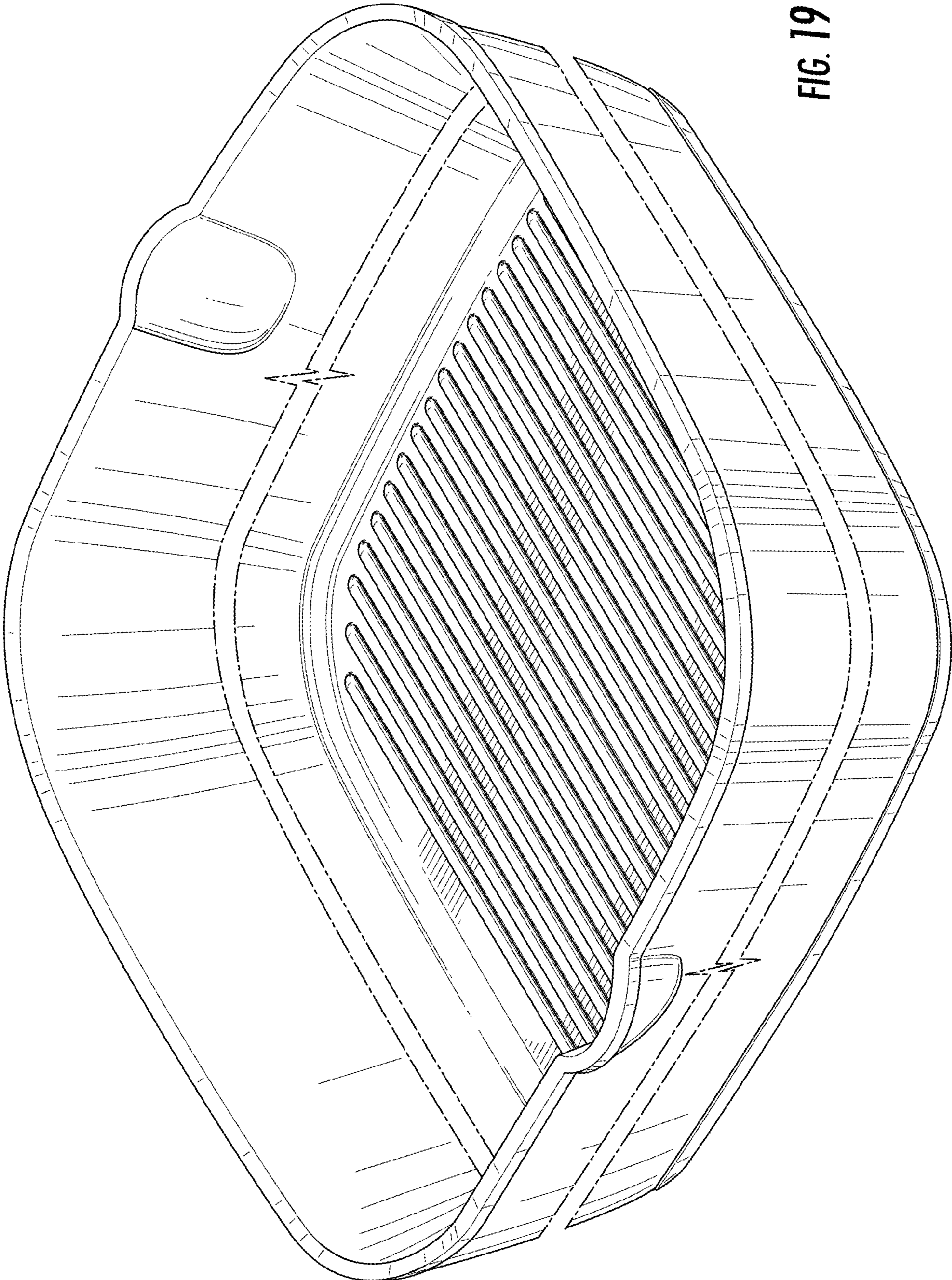


FIG. 19

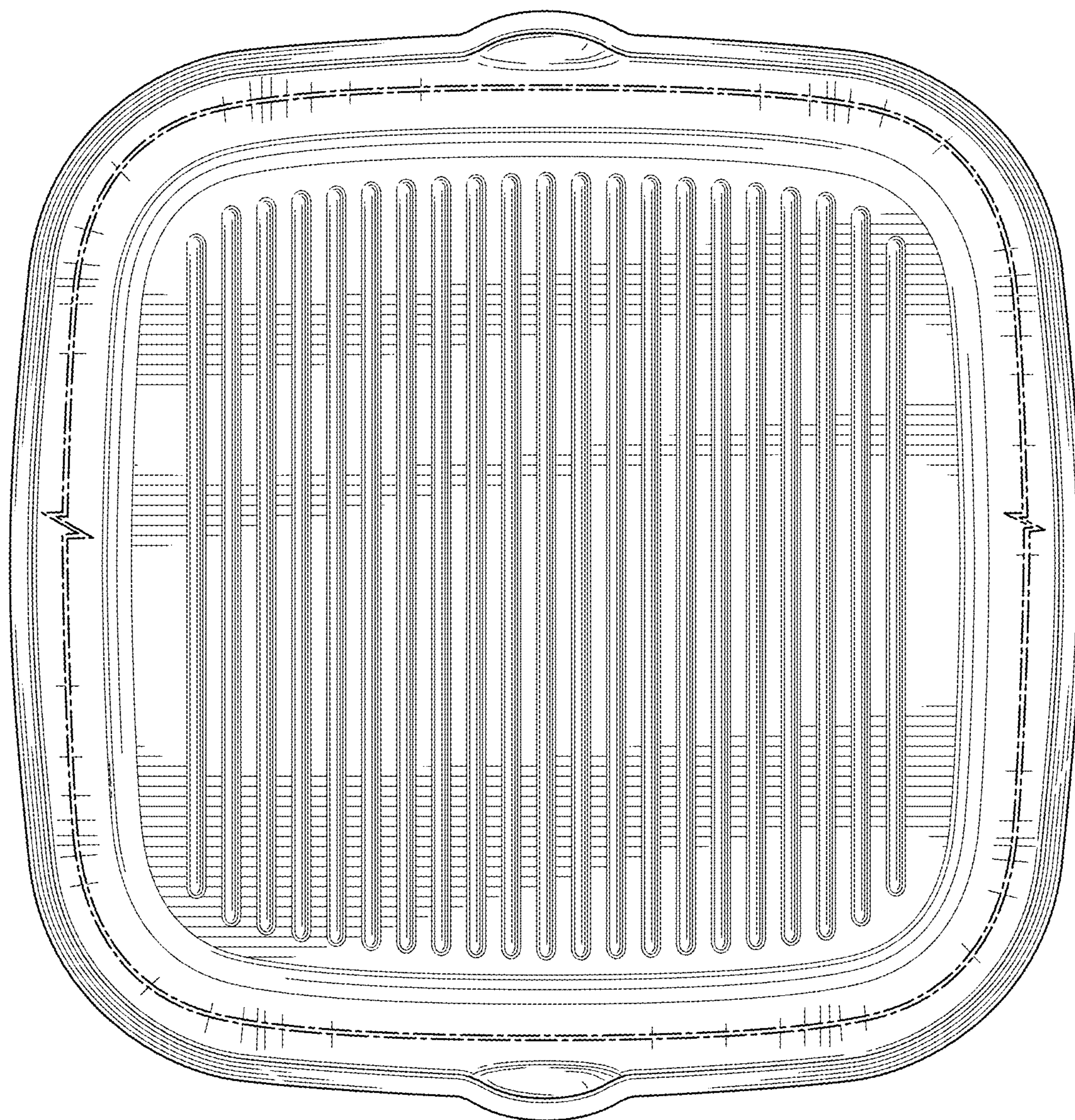


FIG. 20



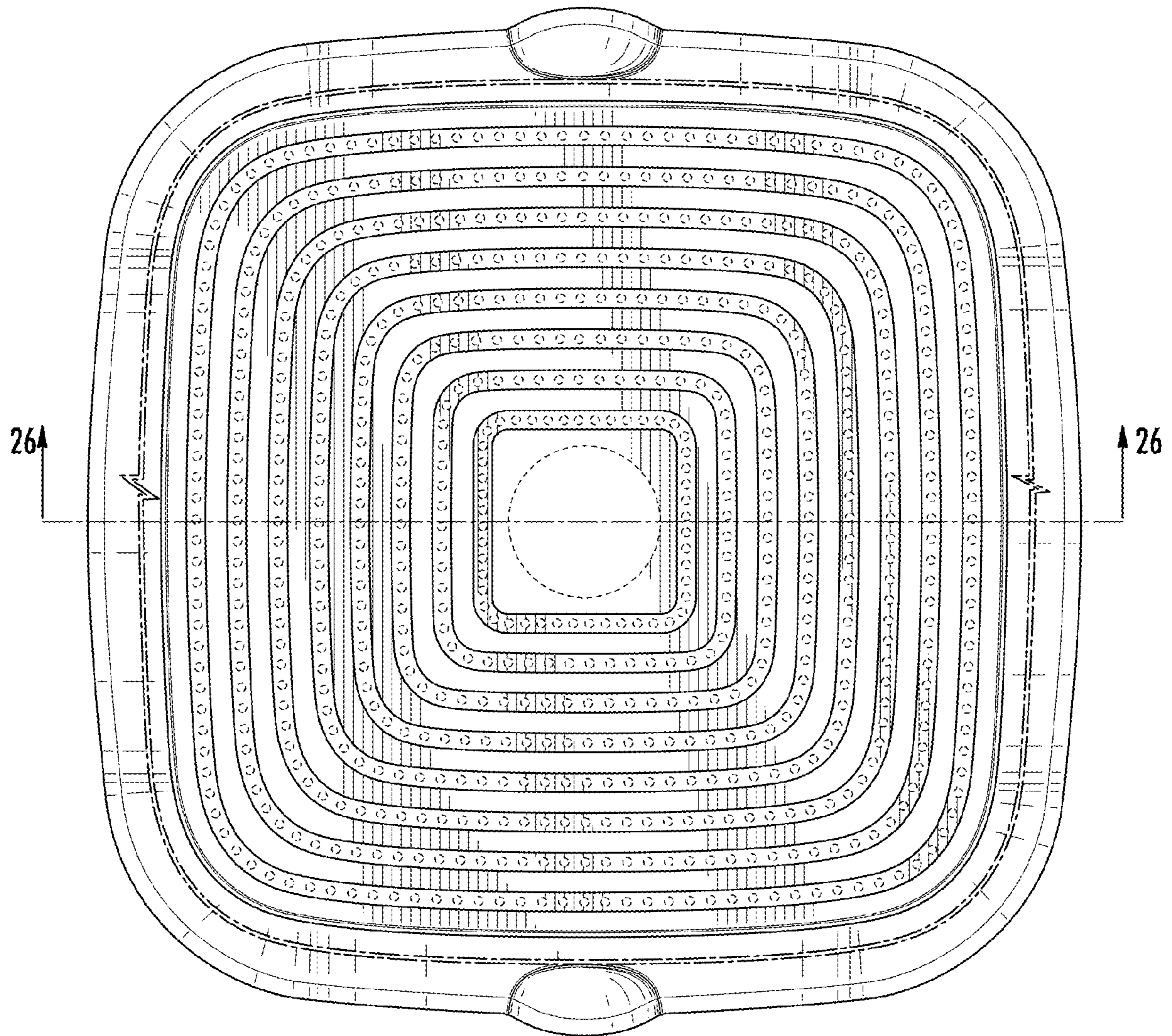
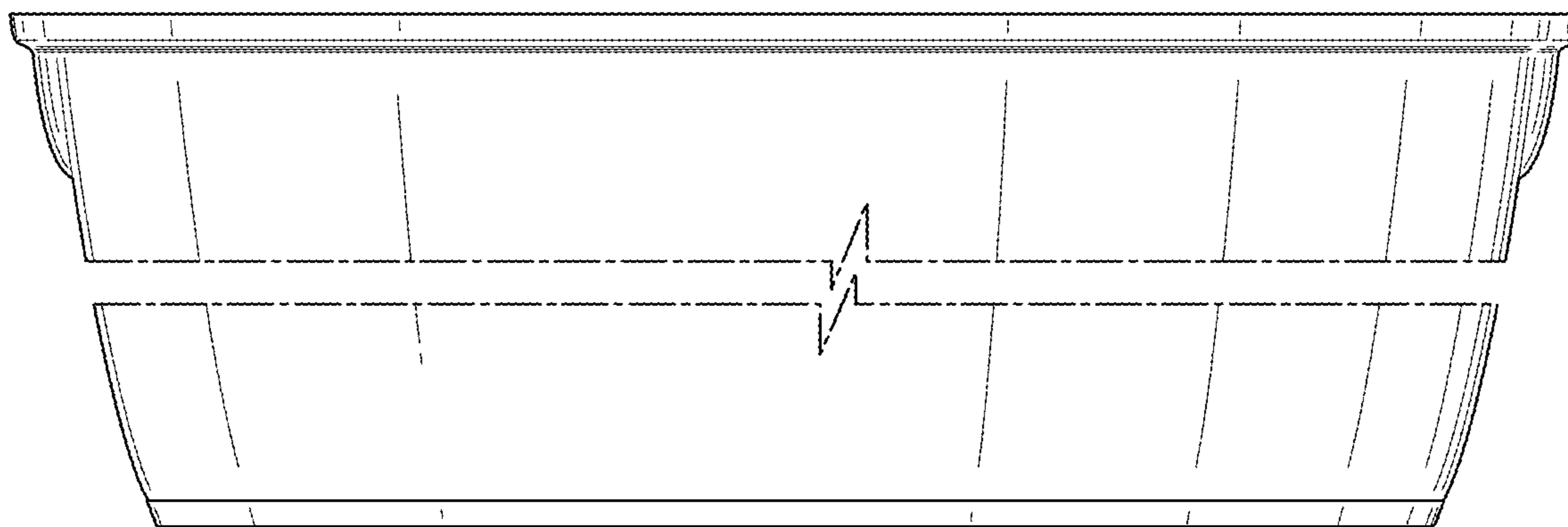
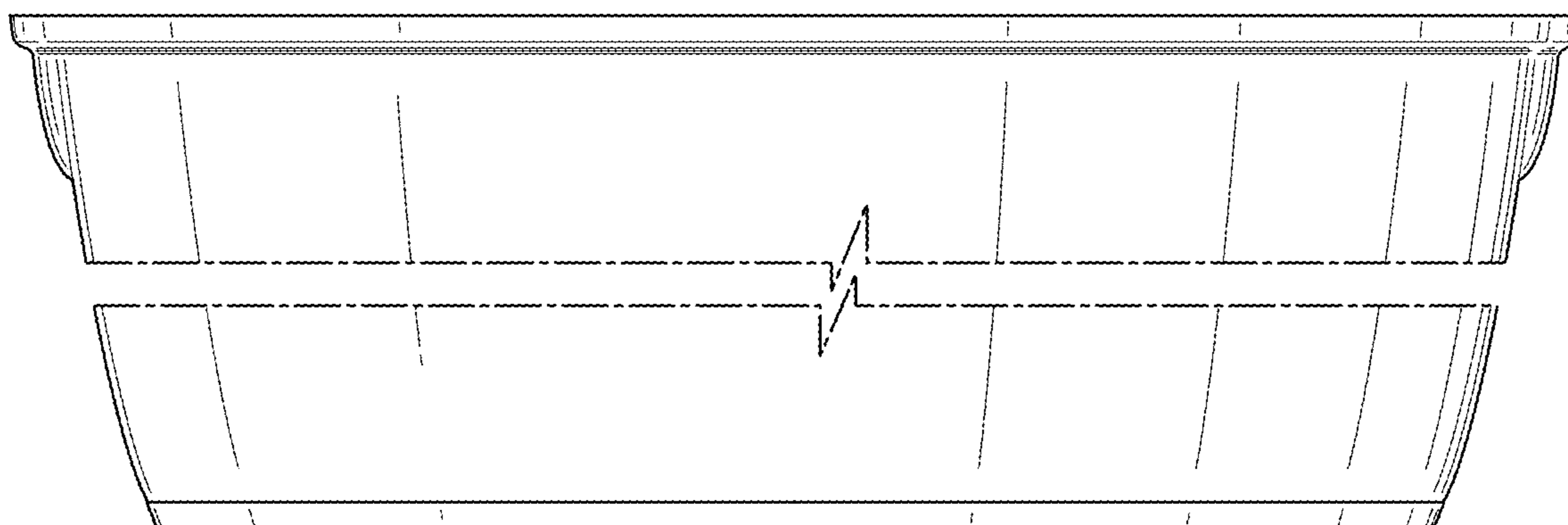


FIG. 21



**FIG. 22**



**FIG. 23**

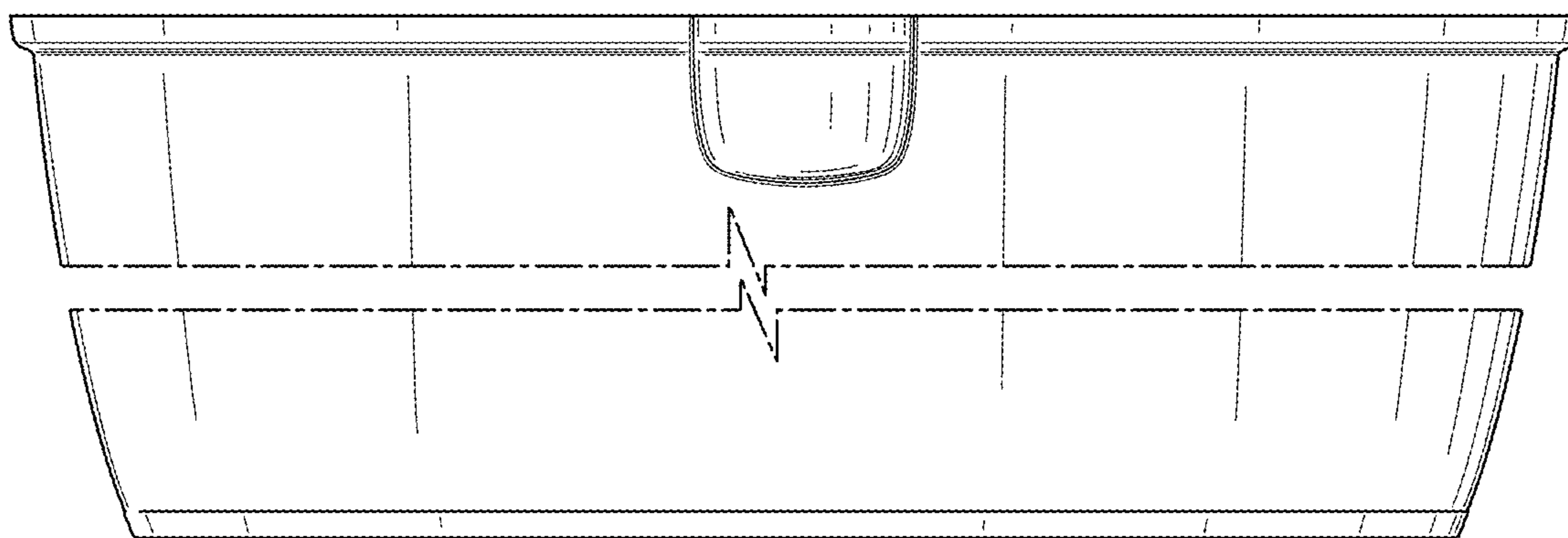


FIG. 24

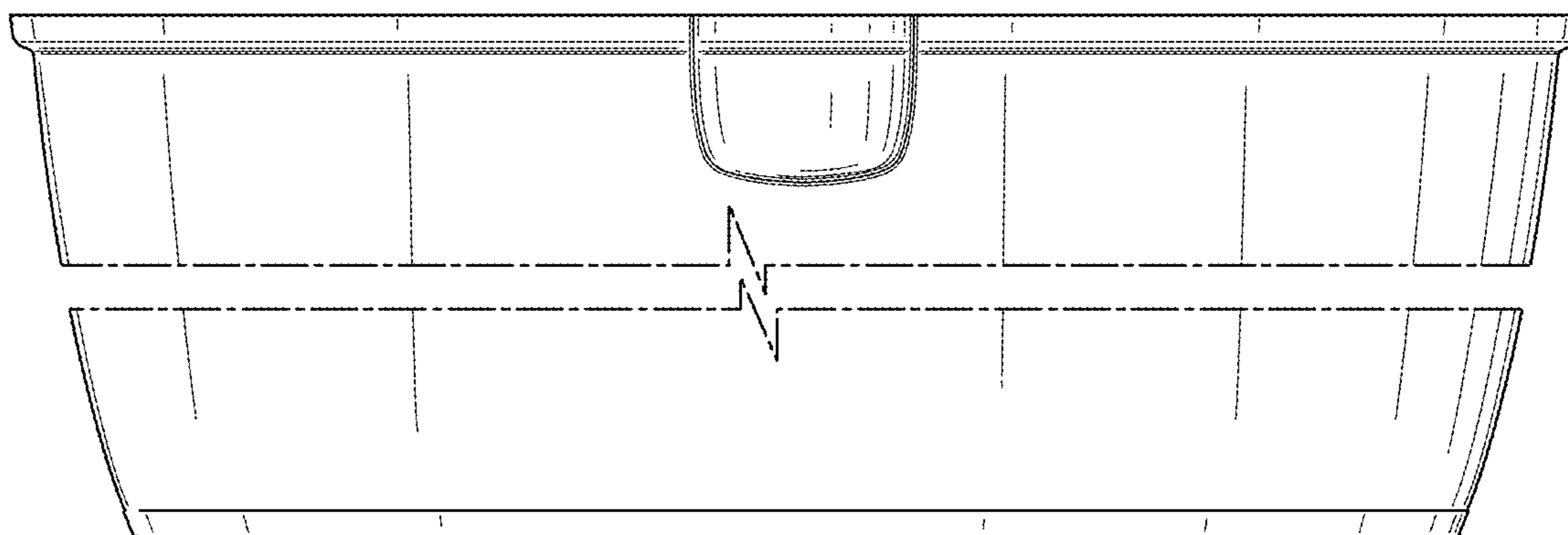


FIG. 25

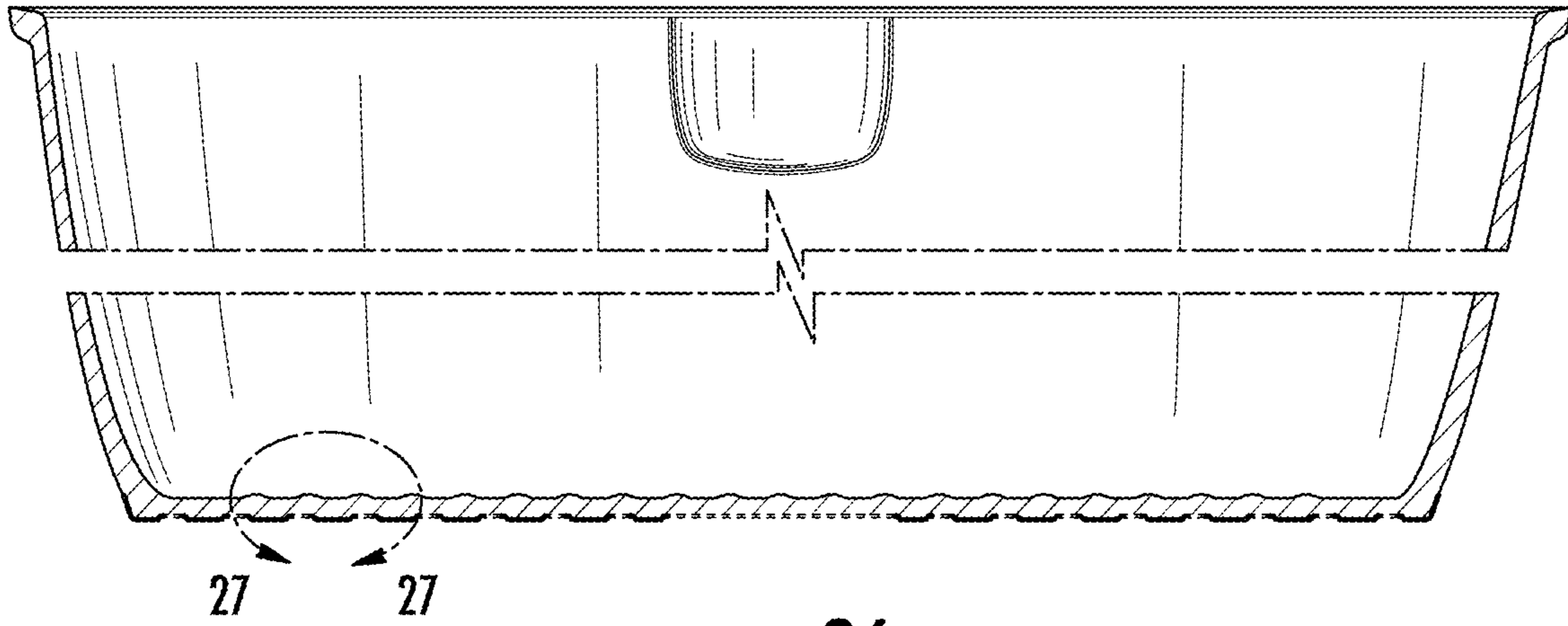


FIG. 26

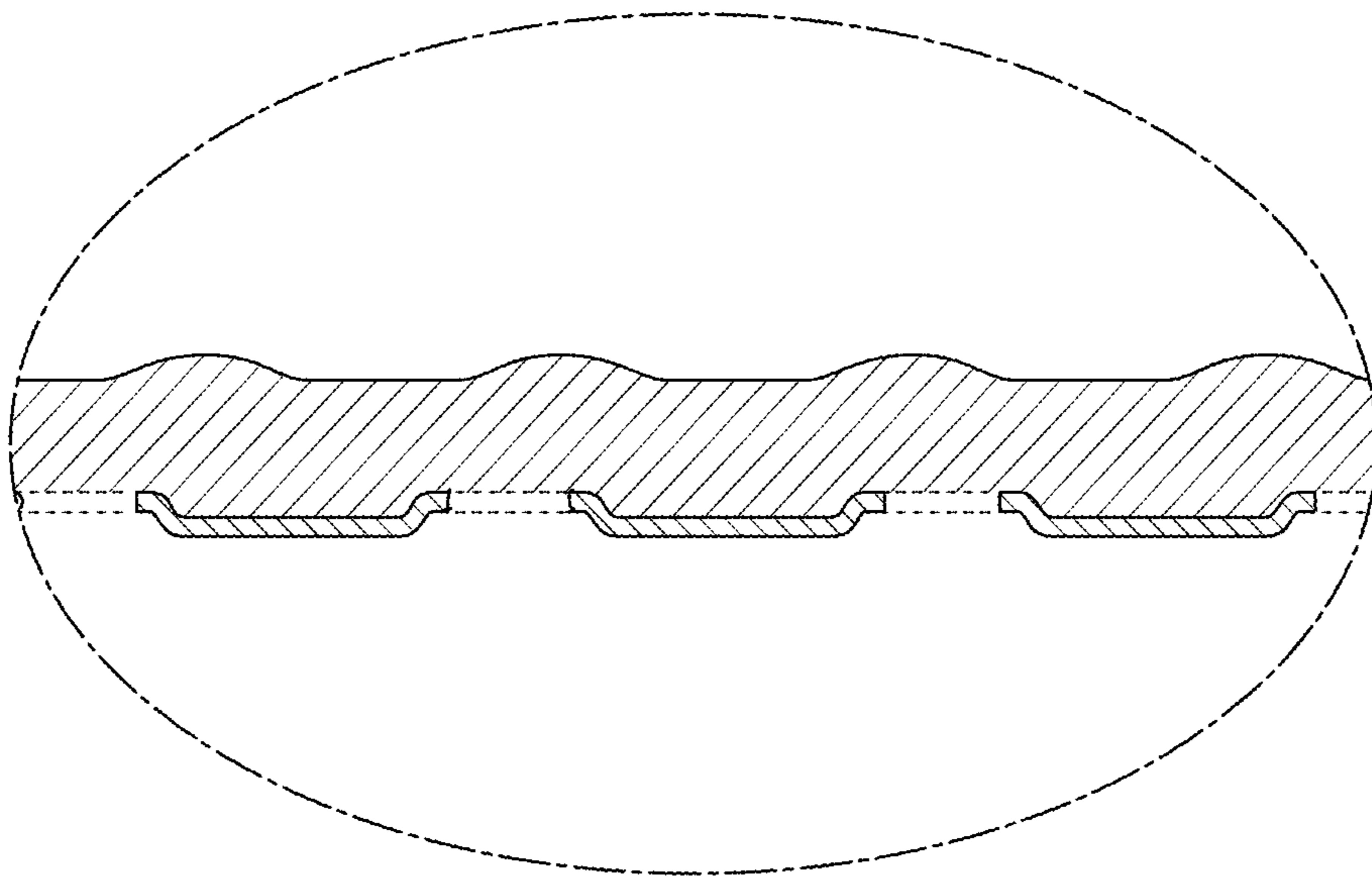


FIG. 27