



US00D876873S

(12) **United States Design Patent** (10) **Patent No.:** **US D876,873 S**
McGinnis et al. (45) **Date of Patent:** **** Mar. 3, 2020**

(54) **DOUBLE BOWL FRYER TANK**
(71) Applicant: **PITCO FRIALATOR, INC.**, Bow, NH (US)
(72) Inventors: **Michael McGinnis**, Windham, NH (US); **Steven J. Cyr**, Londonderry, NH (US); **Karl M. Searl**, Newmarket, NH (US)
(73) Assignee: **PITCO FRIALATOR, INC.**, Bow, NH (US)
(**) Term: **15 Years**
(21) Appl. No.: **29/646,813**
(22) Filed: **May 7, 2018**
(51) **LOC (12) Cl.** **07-02**
(52) **U.S. Cl.**
USPC **D7/354**
(58) **Field of Classification Search**
USPC D3/307; D7/323, 354-361; D15/89
CPC A23L 1/01; A23L 1/0107; A23L 1/0114; A47J 27/00; A47J 27/08; A47J 27/09; A47J 27/092; A47J 36/025; A47J 36/06; A47J 36/08; A47J 36/10; A47J 36/12; A47J 36/165; A47J 36/18; A47J 36/20; A47J 36/22; A47J 36/38; A47J 37/00; A47J 37/049; A47J 37/12; A47J 37/1204; A47J 37/1209; A47J 37/1214; A47J 37/1219; A47J 37/1266; A47J 37/1285; A47J 37/129; A47J 37/1295; G07F 17/0064; G07F 17/0078; G07F 17/0085; H05B 6/02; H05B 6/06; H05B 6/12
See application file for complete search history.

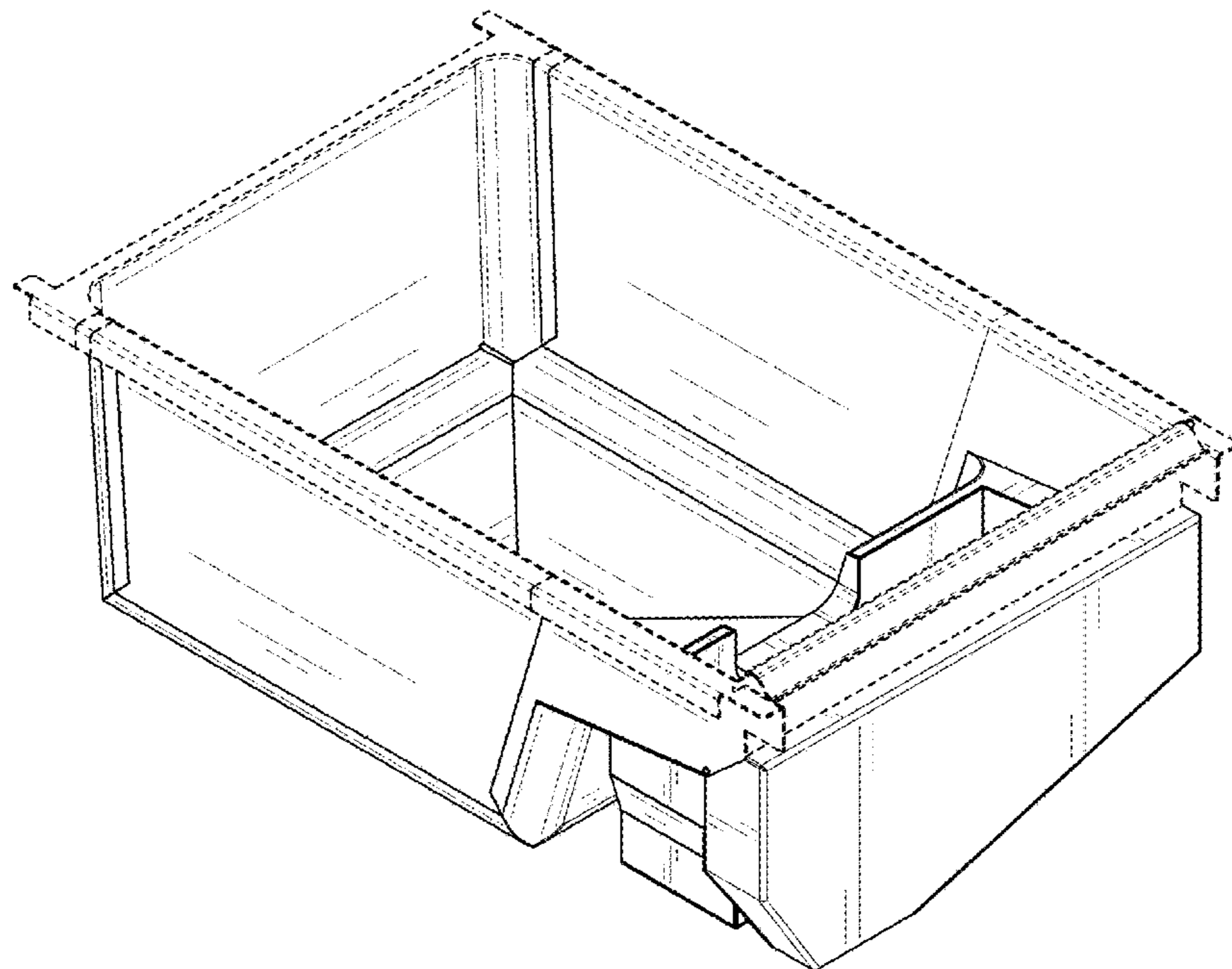
(56) **References Cited**
U.S. PATENT DOCUMENTS
7,015,429 B2 * 3/2006 Lau A47J 36/38
219/430
D733,770 S * 7/2015 Park D15/89
D745,581 S * 12/2015 Jeon D15/89
D760,017 S * 6/2016 Berge D7/354
D777,435 S * 1/2017 Hecht D3/307
D814,846 S * 4/2018 Hedrington D7/354
2010/0212511 A1 * 8/2010 Jones A47J 37/1219
99/336
2018/0192820 A1 * 7/2018 Chang A47J 37/049
* cited by examiner

Primary Examiner — Ricky Pham
(74) *Attorney, Agent, or Firm* — Seyfarth Shaw LLP; Brian Michaelis

(57) **CLAIM**
The ornamental design for a double bowl fryer tank, as shown and described.

DESCRIPTION
FIG. 1 shows a left perspective view of a double bowl fryer tank;
FIG. 2 shows a right perspective view thereof;
FIG. 3 shows a front view thereof;
FIG. 4 shows a left side view thereof;
FIG. 5 shows a right side view thereof;
FIG. 6 shows a bottom view thereof;
FIG. 7 shows a top view thereof with a Section line 8-8; and, FIG. 8 shows a perspective, interior view, partially sectioned along line 8-8 of FIG. 7.
The broken lines shown in the drawings are for illustrative purposes only and form no part of the claimed design.

1 Claim, 8 Drawing Sheets



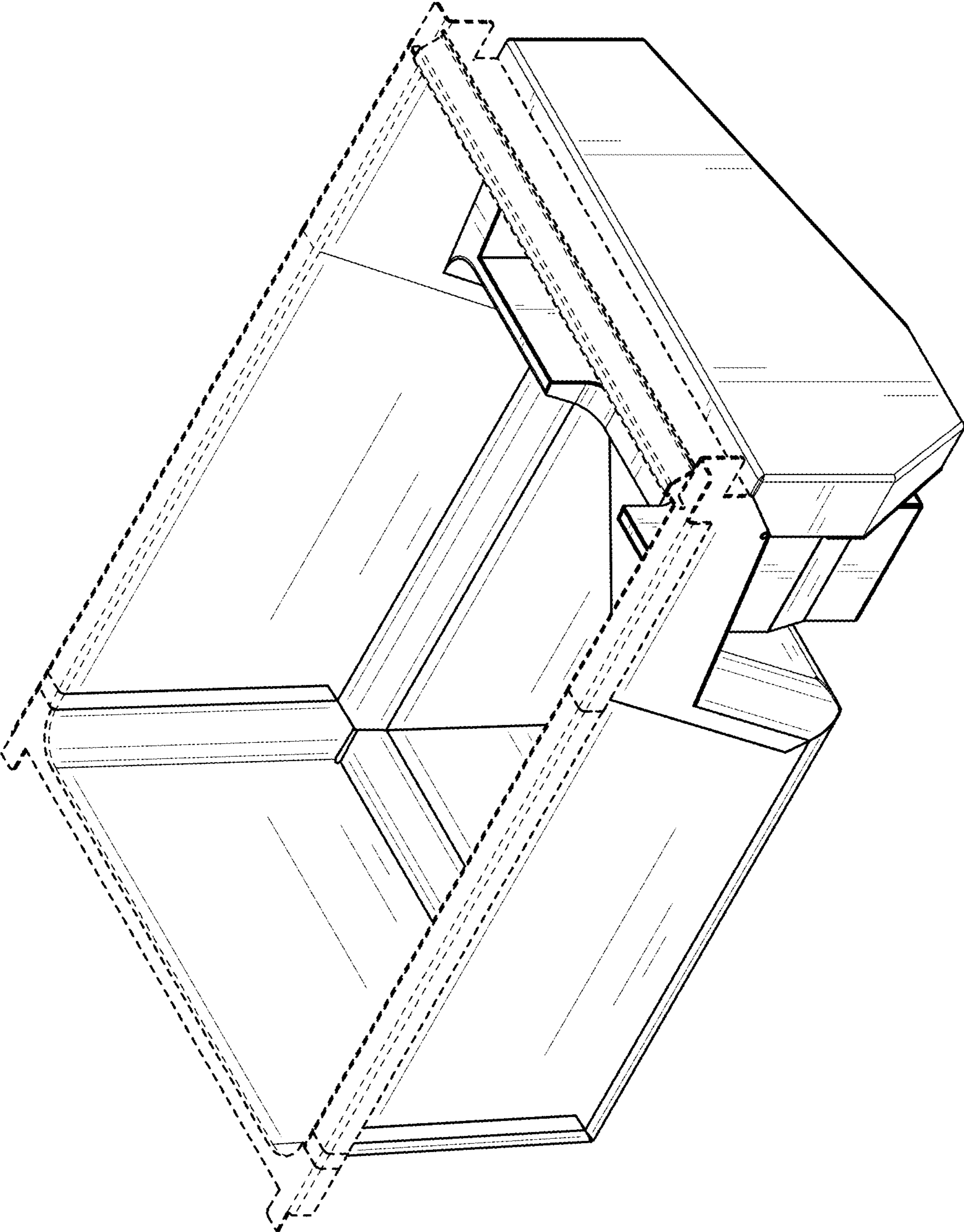


FIG. 1

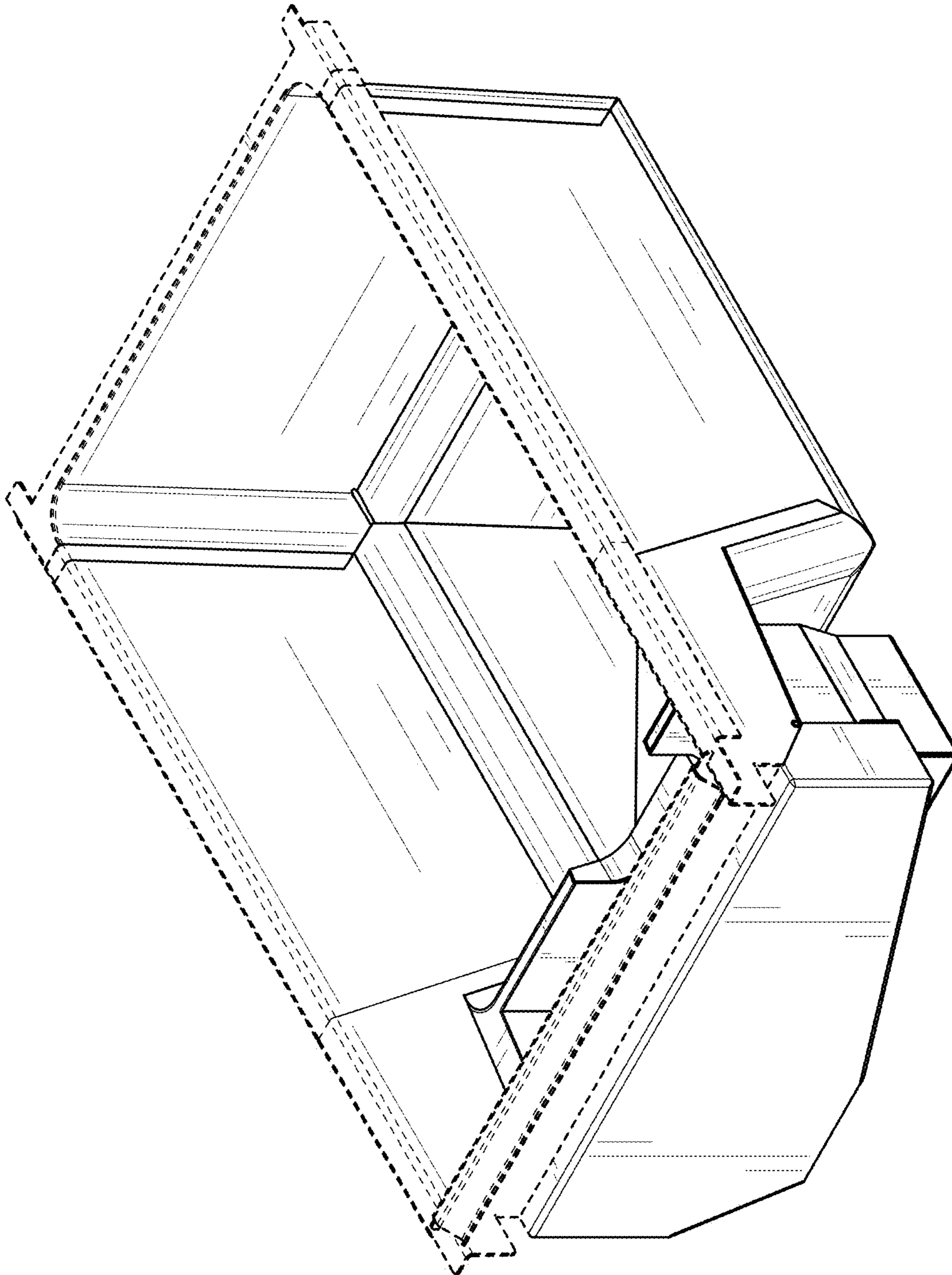


FIG. 2

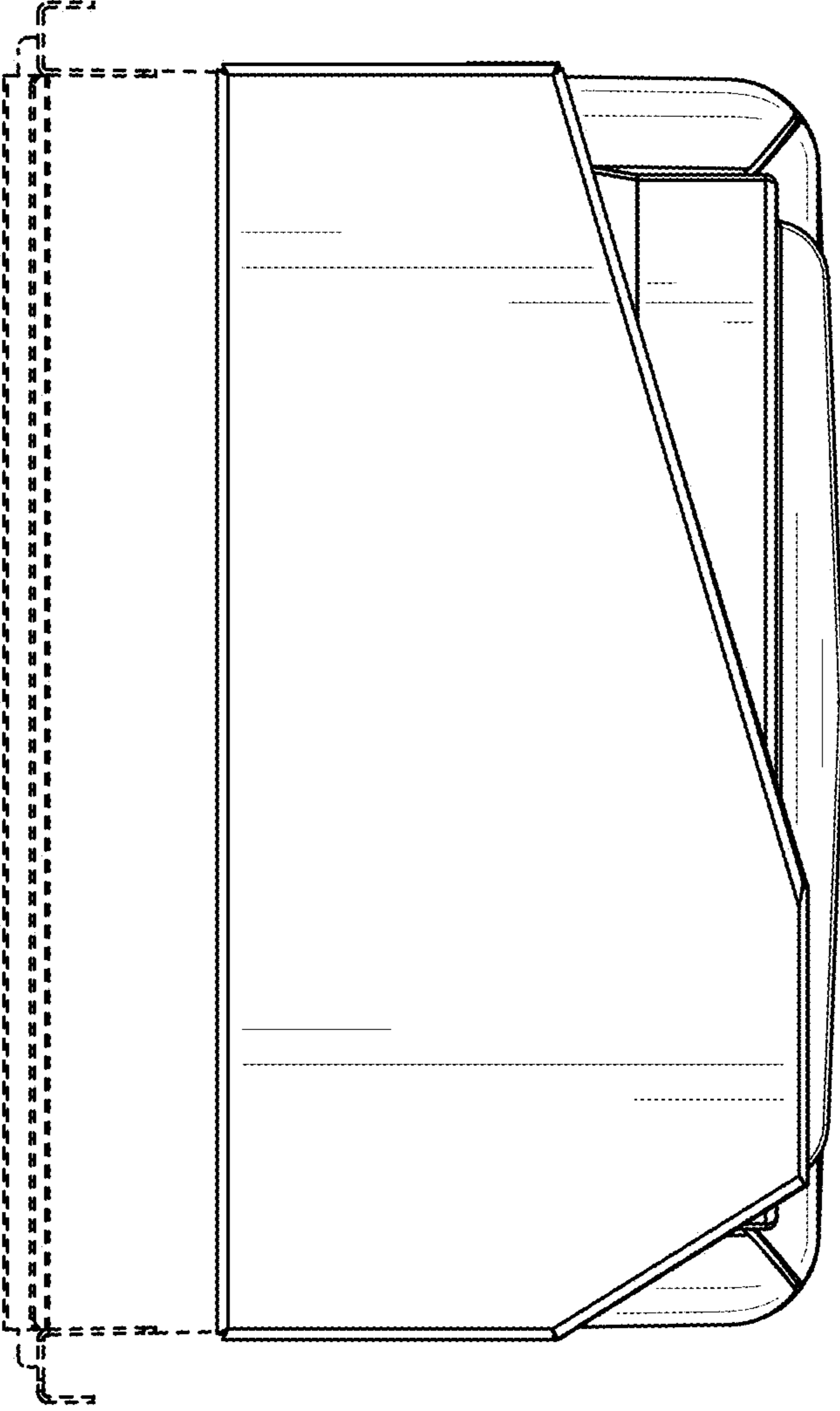


FIG. 3

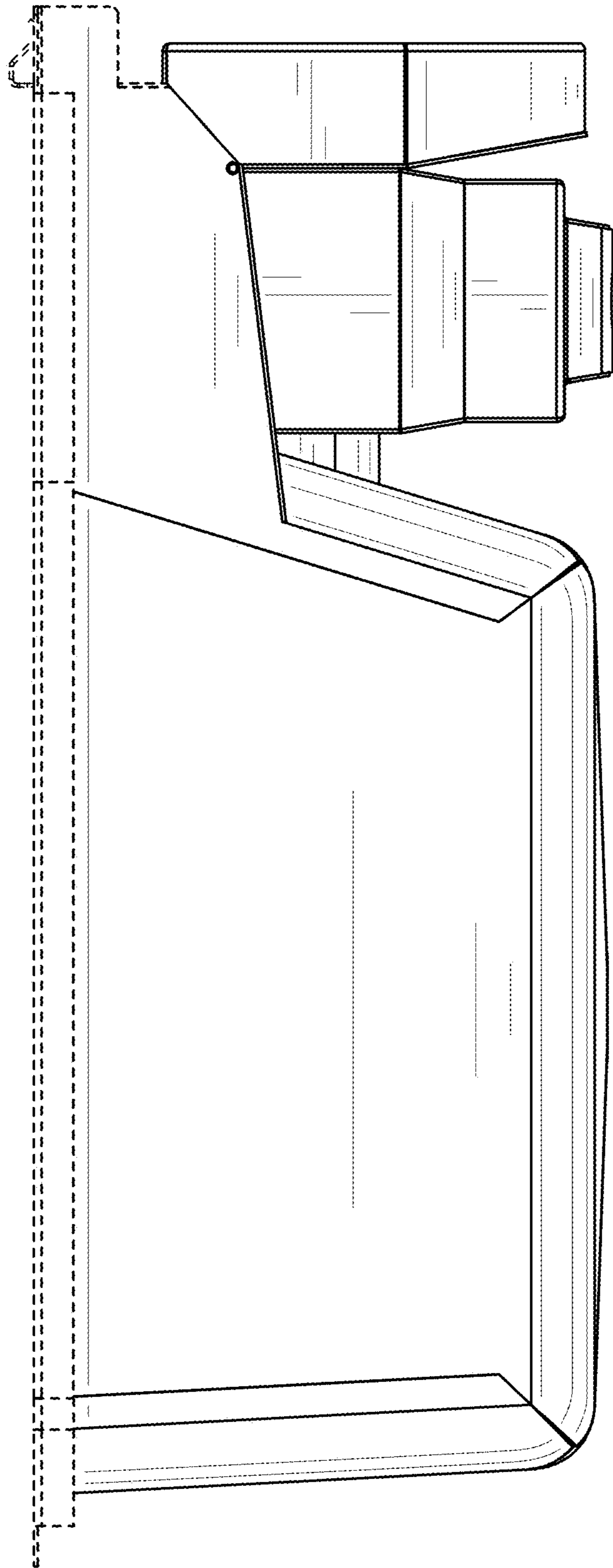


FIG. 4

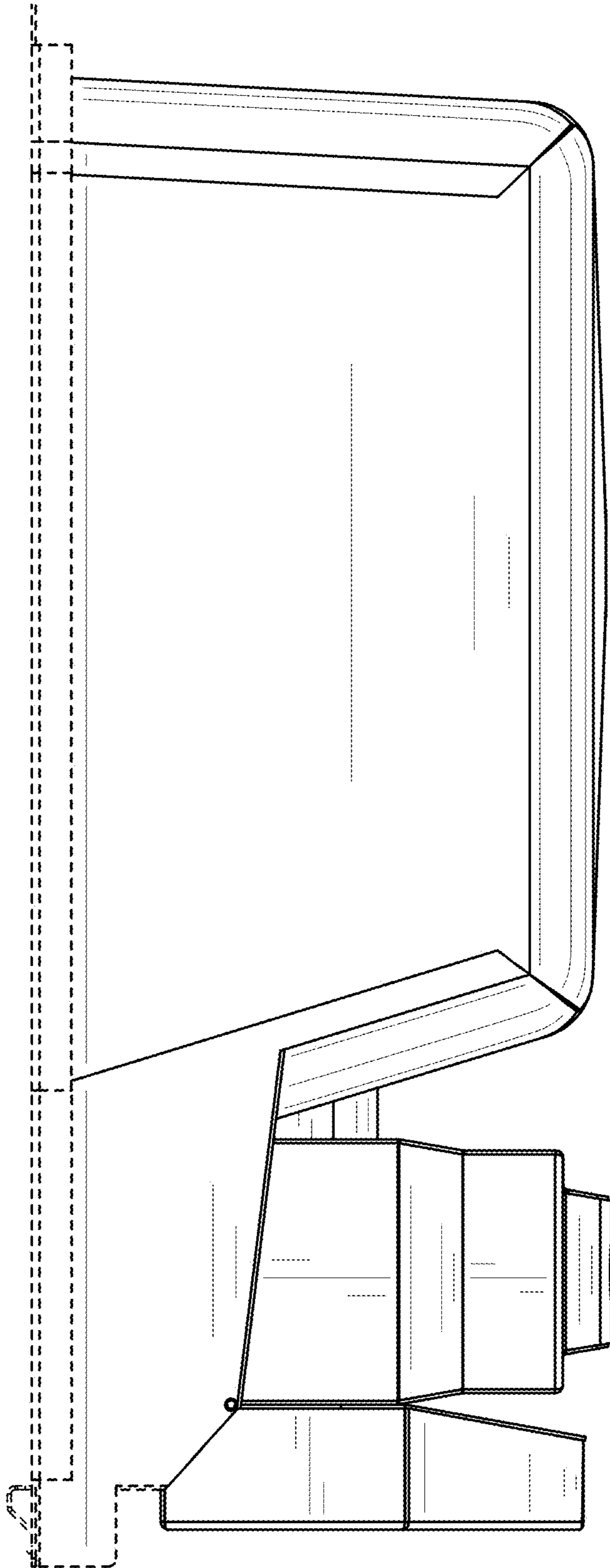


FIG. 5

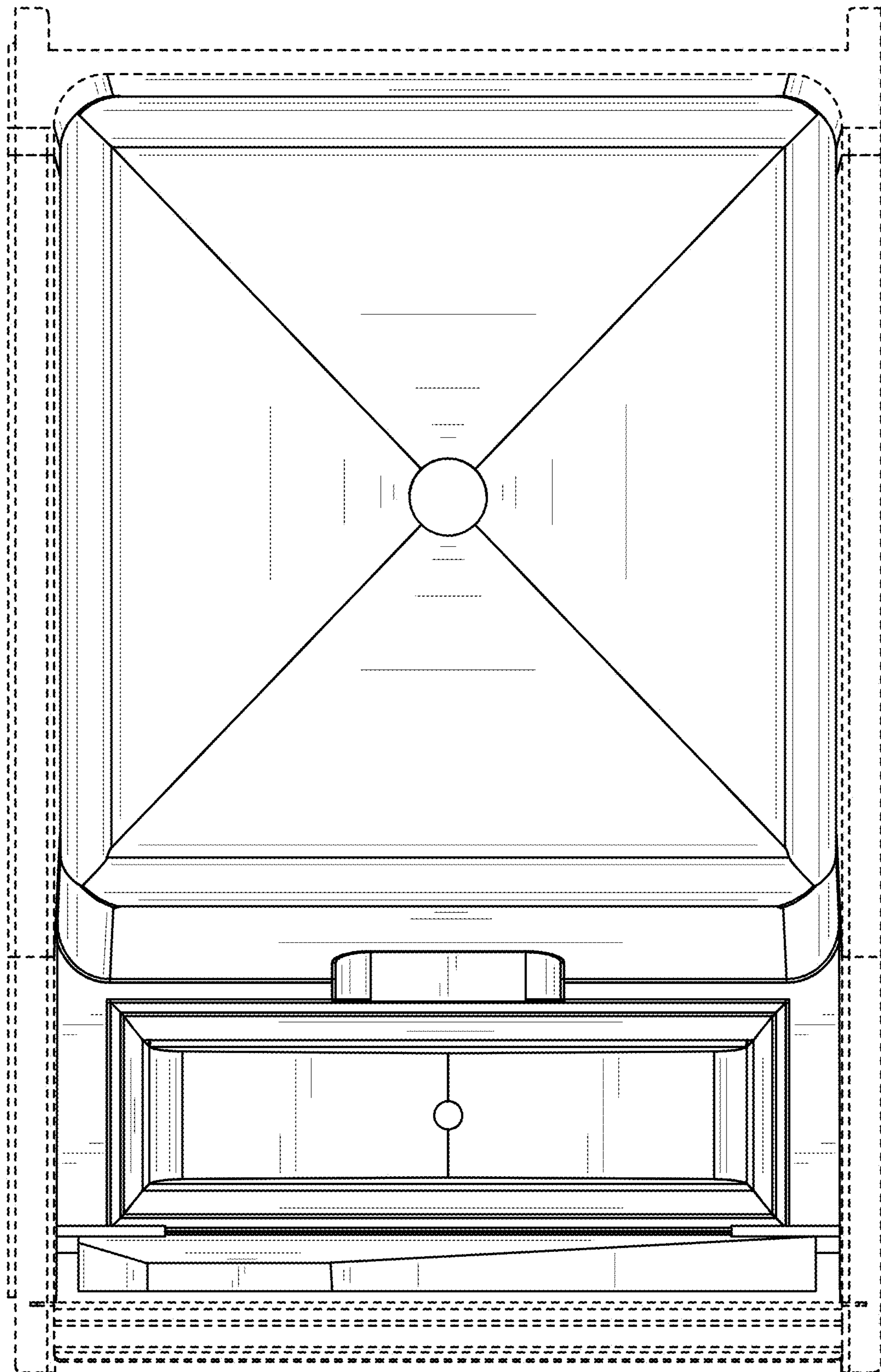
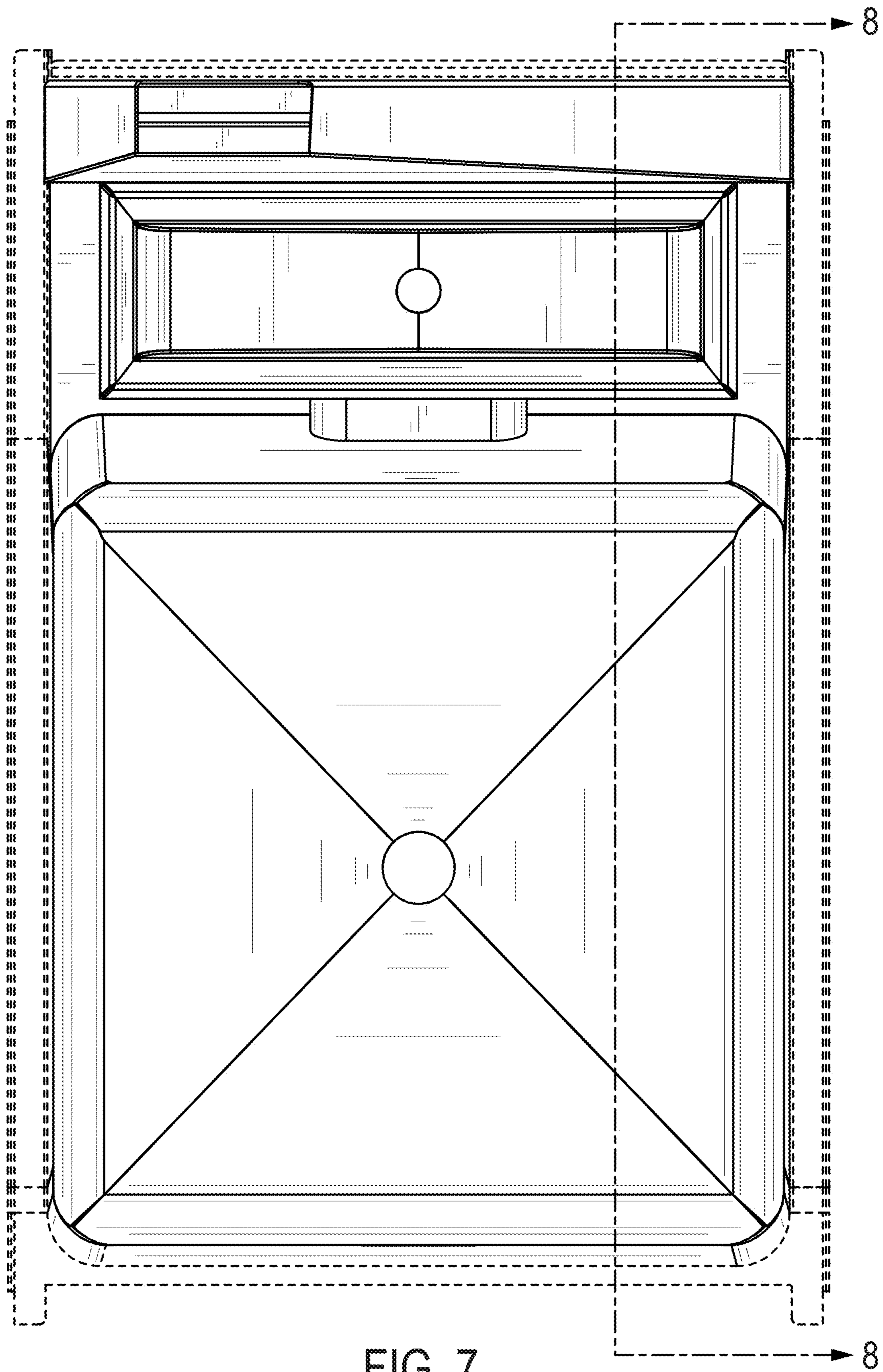


FIG. 6



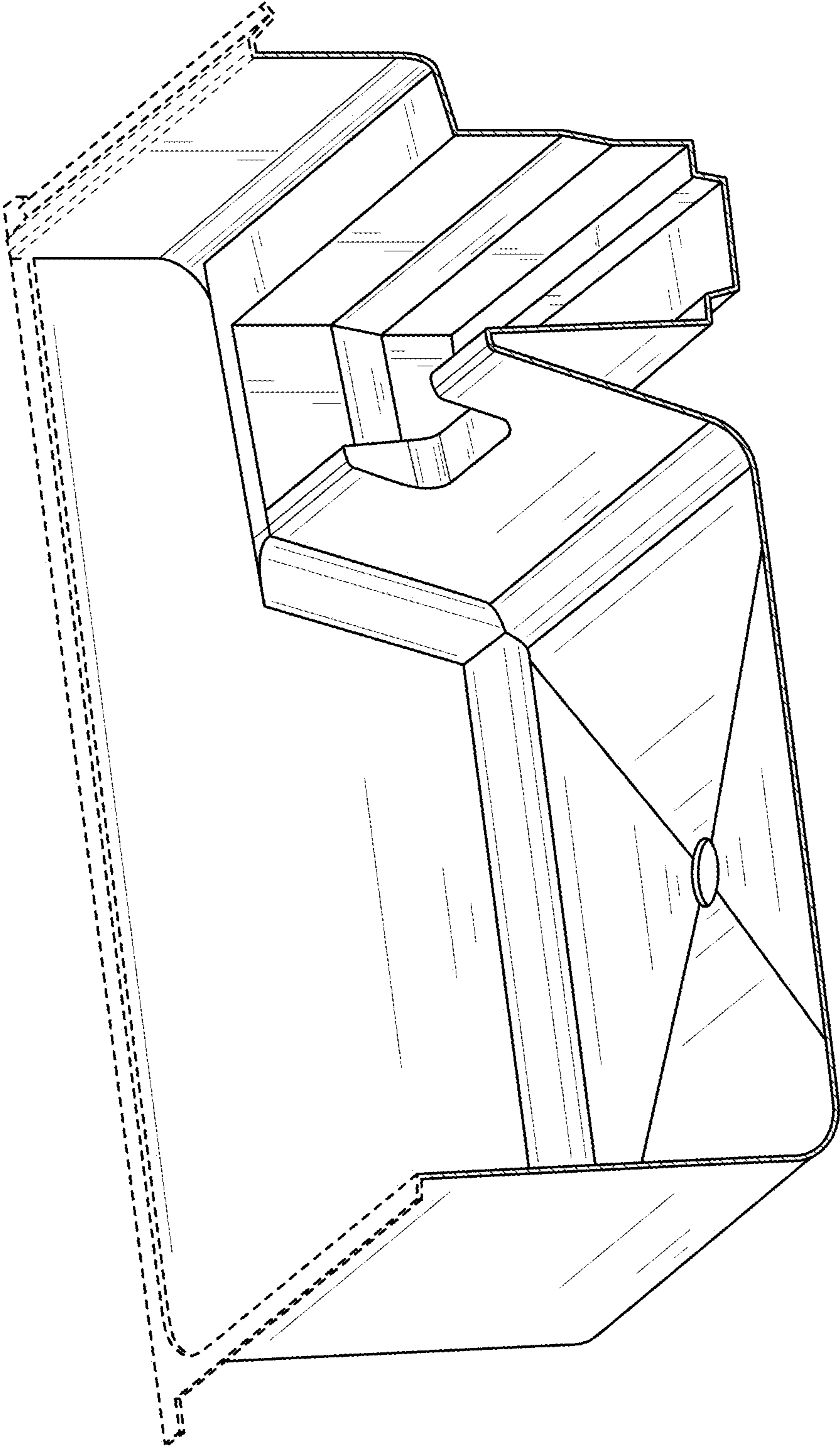


FIG. 8