



US00D876872S

(12) **United States Design Patent**  
**Bazzicalupo et al.**

(10) **Patent No.:** **US D876,872 S**  
(45) **Date of Patent:** **\*\* Mar. 3, 2020**

- (54) **TOASTER**
- (71) Applicant: **SMEG S.P.A.**, Guastalla (IT)
- (72) Inventors: **Leopoldo Bazzicalupo**, Sale Marasino (IT); **Raffaella Mangiarotti**, Milan (IT)
- (73) Assignee: **SMEG S.P.A.** (IT)
- (\*\*) Term: **15 Years**
- (21) Appl. No.: **35/505,376**
- (22) Filed: **Jan. 25, 2018**
- (80) **Hague Agreement Data**

Int. Filing Date: **Jan. 25, 2018**  
 Int. Reg. No.: **DM/100442**  
 Int. Reg. Date: **Jan. 25, 2018**  
 Int. Reg. Pub. Date: **Jul. 27, 2018**

- (51) **LOC (12) Cl.** ..... **07-02**
- (52) **U.S. Cl.**  
USPC ..... **D7/330**
- (58) **Field of Classification Search**  
USPC ..... D24/323, 328–330, 390; D7/323,  
D7/328–330, 390, 354  
CPC ..... A47J 37/00; A47J 37/06; A47J 37/0611;  
A47J 37/08; A47J 37/0807; A47J  
37/0814; A47J 37/0835; A47J 37/0842;  
A47J 37/085; A47J 37/0864; A47J  
37/0878; A47J 37/0885; A47J 37/0892;  
A21B 2/00; F24C 15/10; F24C 15/102  
See application file for complete search history.

(56) **References Cited**  
**U.S. PATENT DOCUMENTS**

D510,676 S \* 10/2005 Picozza ..... D7/330  
 D554,931 S \* 11/2007 Genslak ..... D7/330

D554,932 S \* 11/2007 Kim ..... D7/330  
 D554,933 S \* 11/2007 Kim ..... D7/330  
 D569,167 S \* 5/2008 Bonin ..... D7/330  
 D577,533 S \* 9/2008 Robinson ..... D7/330  
 D598,697 S \* 8/2009 De Pra' ..... D7/330  
 D640,894 S \* 7/2011 Duncan ..... D7/330  
 D655,126 S \* 3/2012 Gregory ..... D7/330  
 D663,993 S \* 7/2012 Prevetè ..... D7/330  
 D702,074 S \* 4/2014 De'Longhi ..... D7/330  
 D730,676 S \* 6/2015 Palmer ..... D7/330  
 D746,093 S \* 12/2015 Bazzicalupo ..... D7/330  
 D749,348 S \* 2/2016 Carlson ..... D7/330  
 D761,610 S \* 7/2016 Carpenter ..... D7/330  
 D777,501 S \* 1/2017 Lee ..... D7/330  
 D792,147 S \* 7/2017 Averty ..... D7/330  
 D798,098 S \* 9/2017 Boumay, Jr. .... D7/330  
 D823,631 S \* 7/2018 Gort-Barten ..... D7/330  
 D838,534 S \* 1/2019 Bodum ..... D7/330

\* cited by examiner

*Primary Examiner* — Mary Ann Calabrese  
*Assistant Examiner* — Jennifer L Rempfer  
 (74) *Attorney, Agent, or Firm* — The Belles Group, P.C.

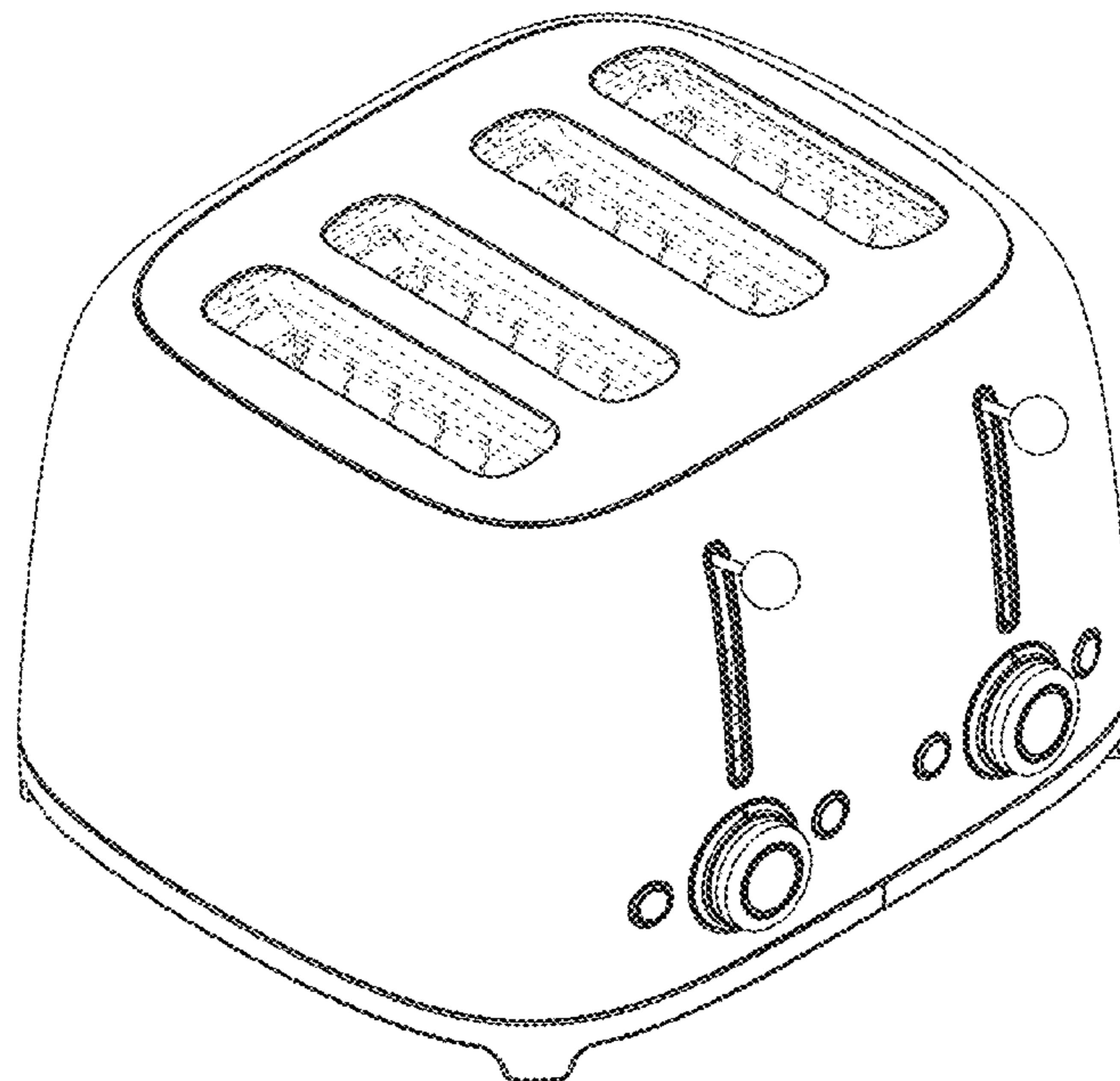
(57) **CLAIM**

The ornamental design for a toaster, as shown and described.

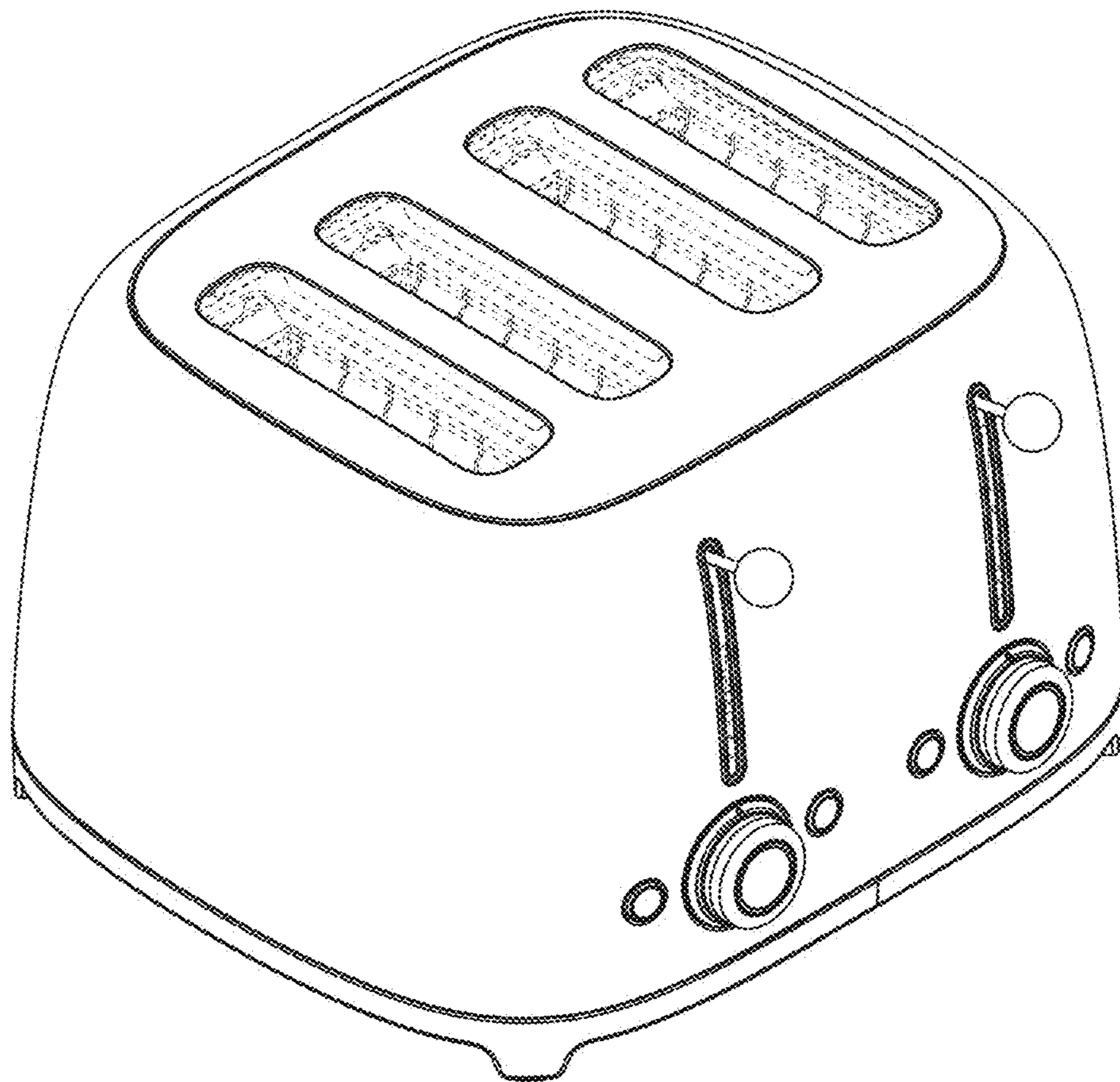
**DESCRIPTION**

FIG. 1.1 is a front perspective view of a toaster in accordance with the present design;  
 FIG. 1.2 is a rear perspective view thereof;  
 FIG. 1.3 is a front view thereof;  
 FIG. 1.4 is a rear view thereof;  
 FIG. 1.5 is a left side view thereof;  
 FIG. 1.6 is a top view thereof; and  
 FIG. 1.7 is a bottom view thereof.  
 The broken lines show portions of the toaster that form no part of the claimed design.

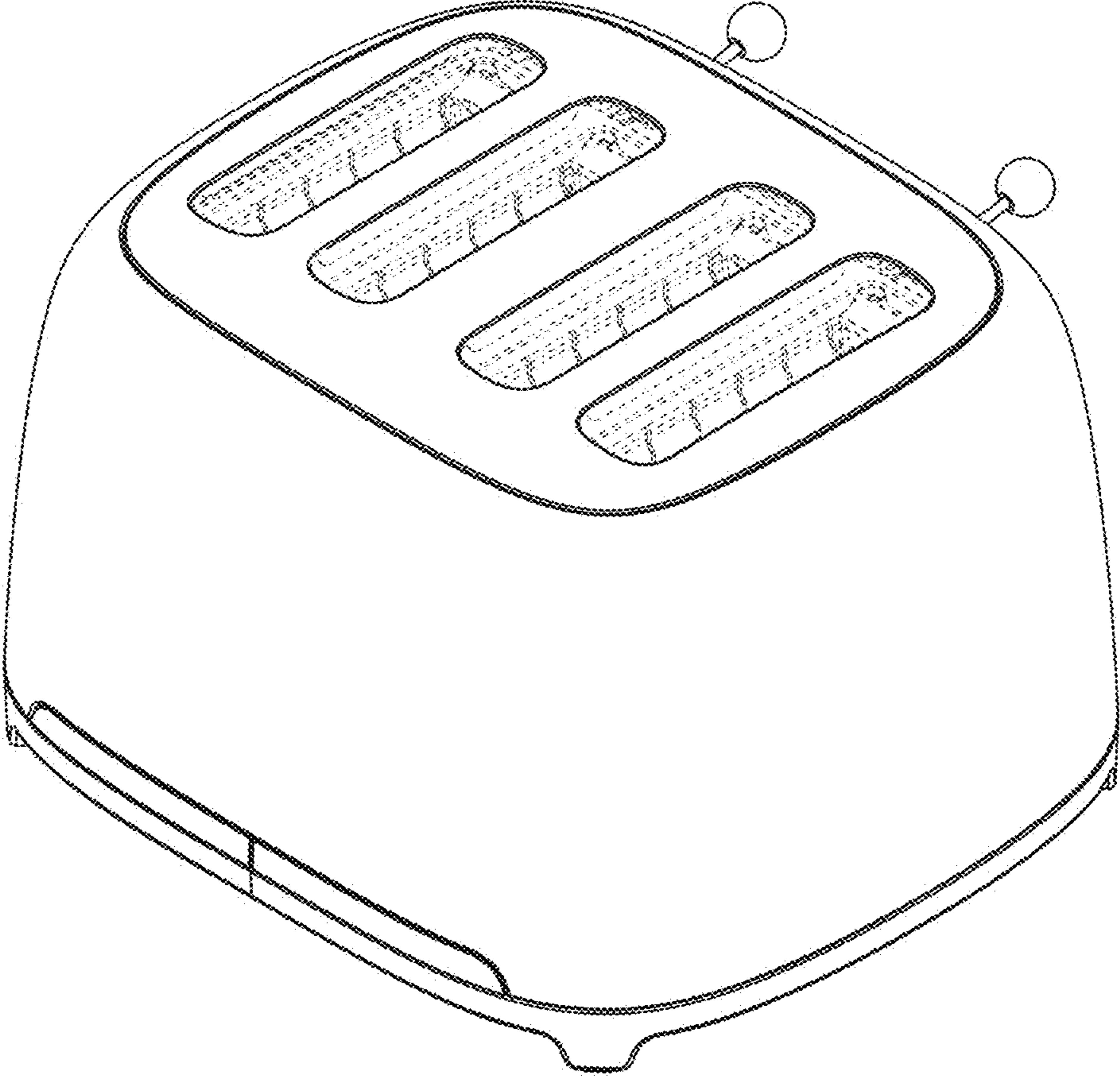
**1 Claim, 7 Drawing Sheets**



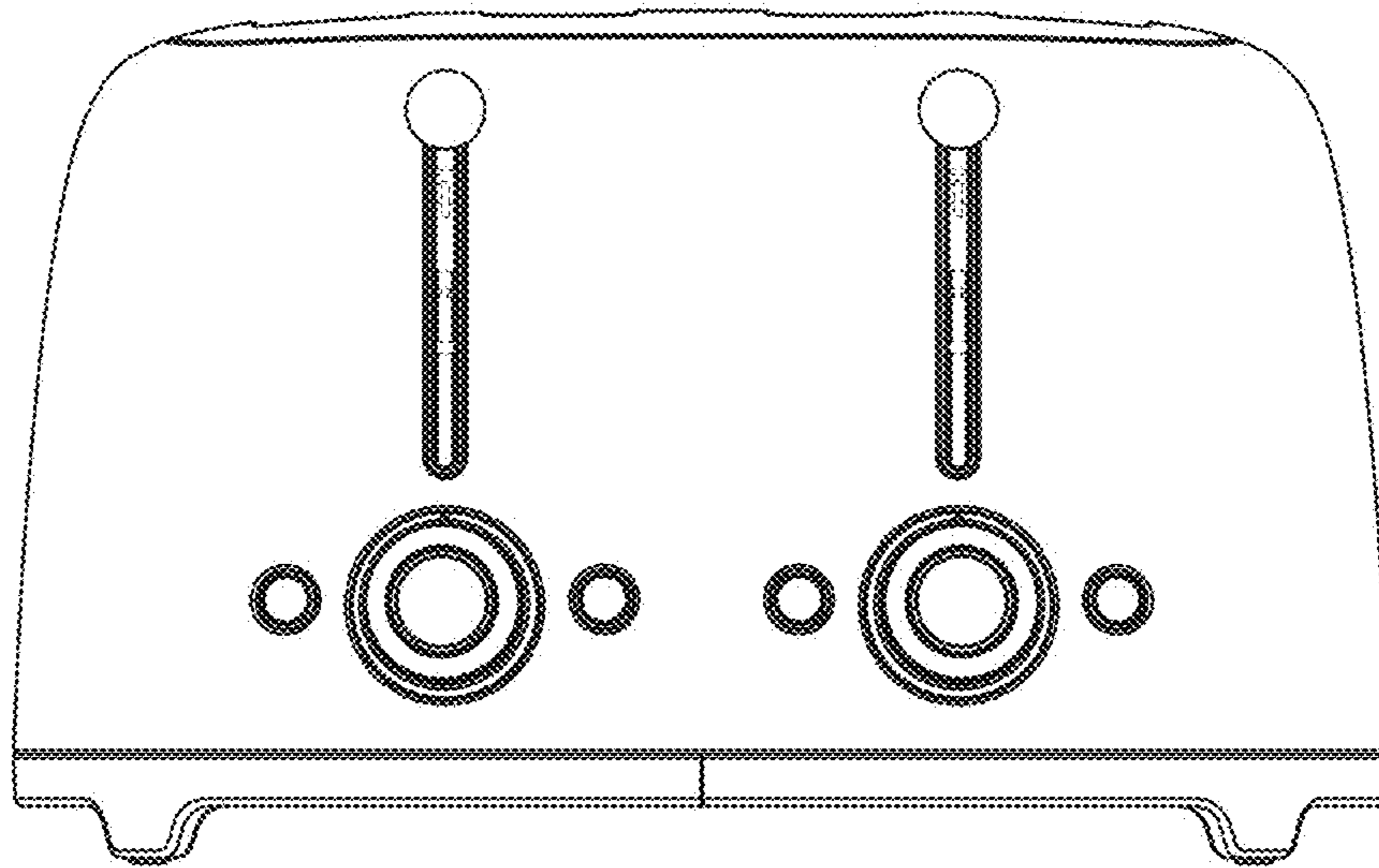
1.1



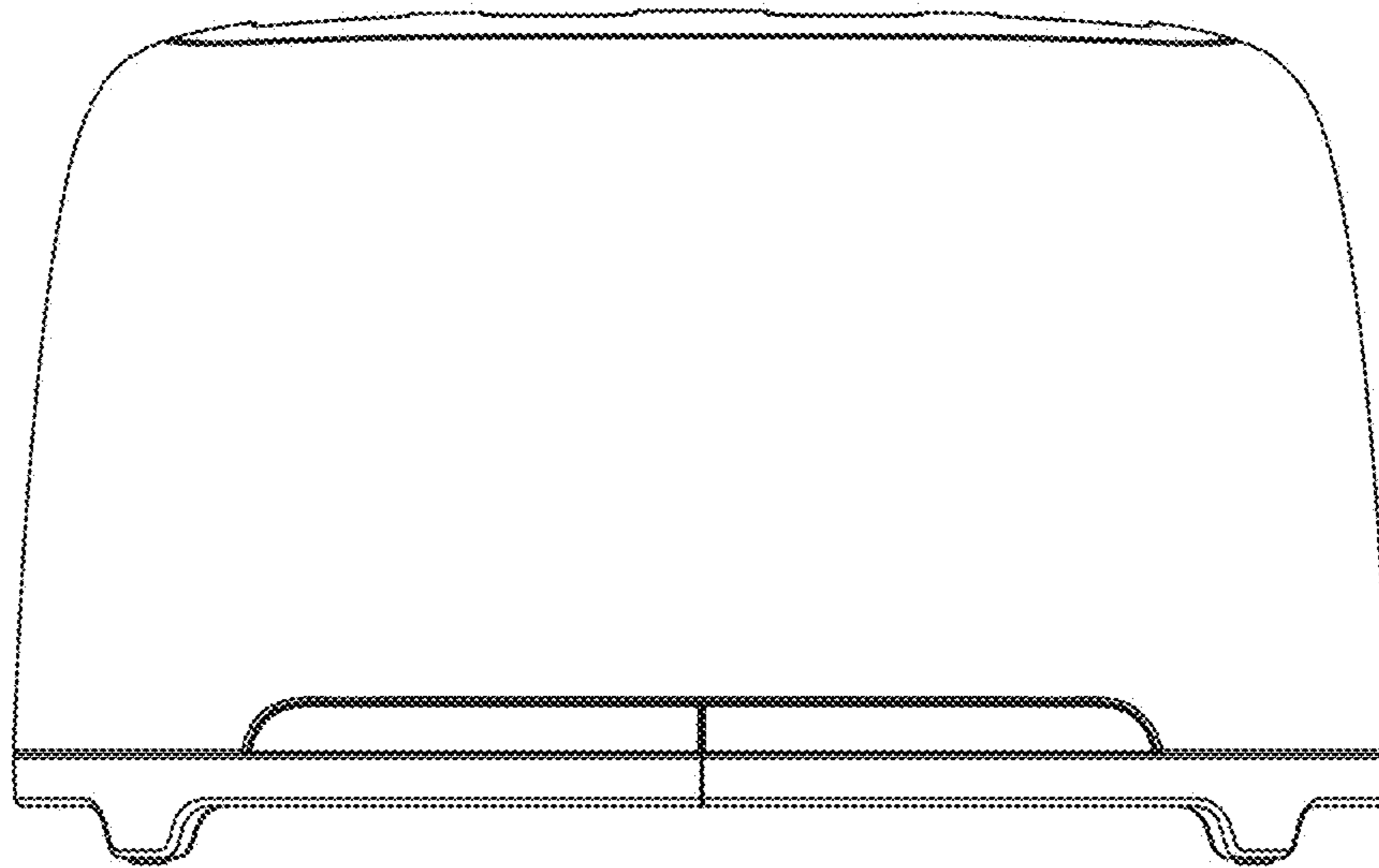
1.2



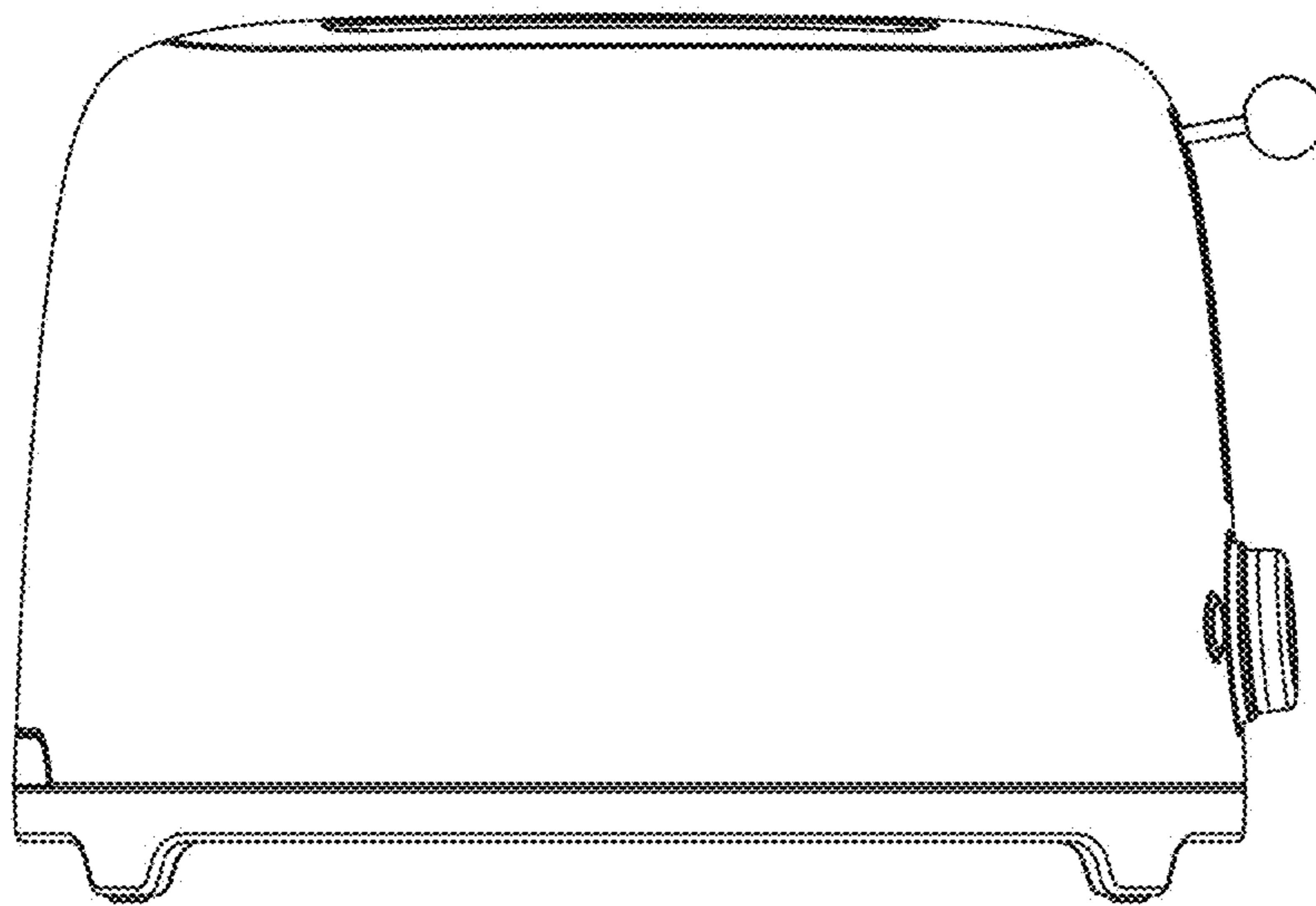
1.3



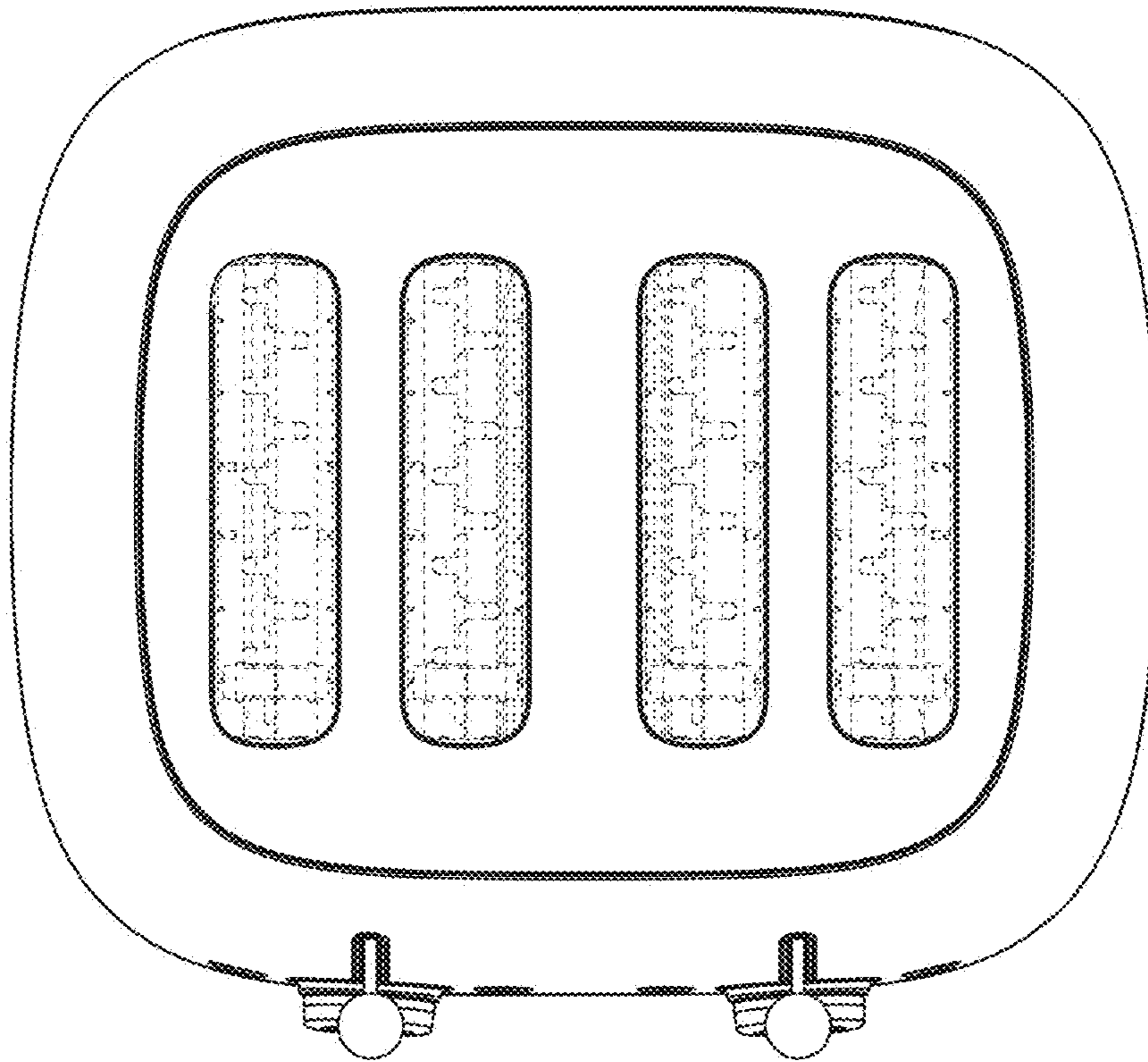
1.4



1.5



1.6



1.7

