



US00D876869S

(12) **United States Design Patent**  
**Ha et al.**

(10) **Patent No.:** **US D876,869 S**

(45) **Date of Patent:** **\*\* Mar. 3, 2020**

(54) **BEVERAGE MAKER**

(71) Applicant: **Keyway Innovations (Shanghai) Company Limited, Shanghai (CN)**

(72) Inventors: **Rick Ha, Shanghai (CN); Karen Wan, Shanghai (CN)**

(73) Assignee: **Keyway Innovations (Shanghai) Company Limited, Shanghai (CN)**

(\*\*) Term: **15 Years**

(21) Appl. No.: **29/642,539**

(22) Filed: **Mar. 30, 2018**

(30) **Foreign Application Priority Data**

Sep. 30, 2017 (CN) ..... 2017 3 0474513

(51) **LOC (12) Cl.** ..... **07-01**

(52) **U.S. Cl.**  
USPC ..... **D7/317; D7/311; D7/309; D7/318**

(58) **Field of Classification Search**  
USPC ..... **D7/316-319, 312, 300, 309, 399, 397, D7/311, 306; D23/207, 209**  
CPC ..... **A47J 41/0005; A47J 31/20; A47J 31/50; A47J 31/44**  
See application file for complete search history.

(56) **References Cited**

**U.S. PATENT DOCUMENTS**

D263,105 S \* 2/1982 Okazaki ..... D7/319  
D270,602 S \* 9/1983 Fritz ..... D10/46.2  
D398,474 S \* 9/1998 Wagner ..... D7/305  
D448,235 S \* 9/2001 Jørgensen ..... D7/317  
D475,252 S \* 6/2003 Lynd ..... D7/317  
D498,638 S \* 11/2004 Morrison ..... D7/318  
7,172,101 B2 \* 2/2007 Find ..... A47J 41/0005  
220/230  
D560,951 S \* 2/2008 Appleton ..... D7/317

D584,559 S \* 1/2009 Bodum ..... D7/317  
D586,172 S \* 2/2009 Brizio ..... D7/317  
D610,859 S \* 3/2010 Lundstrom ..... D7/317  
D611,288 S \* 3/2010 Bodum ..... D7/305  
D622,090 S \* 8/2010 Bodum ..... D7/317  
D628,426 S \* 12/2010 Hoare ..... D7/317  
D646,520 S \* 10/2011 Collinson ..... D7/376  
D663,155 S \* 7/2012 Bodum ..... D7/317  
D668,905 S \* 10/2012 Lane ..... D7/317  
D691,409 S \* 10/2013 Dichraff ..... D7/317  
D703,479 S \* 4/2014 Norland ..... D7/376  
D715,586 S \* 10/2014 Katterheinrich ..... D7/317  
D720,175 S \* 12/2014 Gort-Barten ..... D7/312  
D731,226 S \* 6/2015 Sun ..... D7/316  
D734,087 S \* 7/2015 Melzer ..... D7/317  
D738,669 S \* 9/2015 Brook ..... D7/317  
D754,477 S \* 4/2016 Verbrugge ..... D7/376  
D763,042 S \* 8/2016 Shao ..... D7/517  
D787,875 S \* 5/2017 Melzer ..... D7/317  
D797,488 S \* 9/2017 Silsby ..... D7/317  
D810,491 S \* 2/2018 Naden ..... D7/318

(Continued)

*Primary Examiner* — Marianne N Pandozzi

(74) *Attorney, Agent, or Firm* — Maier & Maier, PLLC

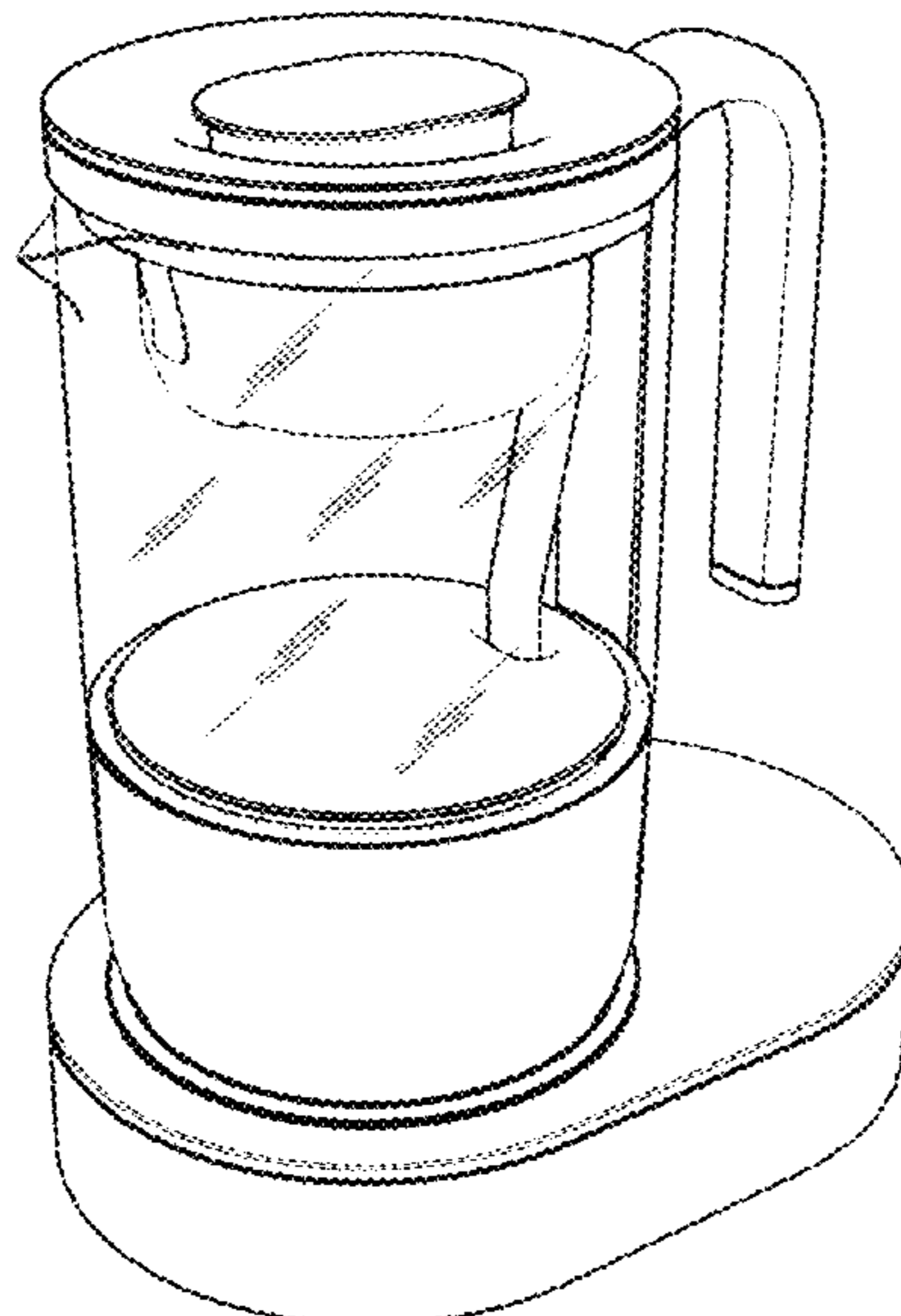
(57) **CLAIM**

The ornamental design for beverage maker, as shown and described.

**DESCRIPTION**

FIG. 1 is a first front perspective view of the beverage maker, showing our design;  
FIG. 2 is a second front perspective view thereof;  
FIG. 3 is a first rear perspective view thereof;  
FIG. 4 a second rear perspective view thereof;  
FIG. 5 is a front view thereof;  
FIG. 6 is a rear view thereof;  
FIG. 7 is a left view thereof;  
FIG. 8 is a right view thereof; and,  
FIG. 9 is a top view thereof.

**1 Claim, 9 Drawing Sheets**



(56)

**References Cited**

U.S. PATENT DOCUMENTS

D830,759 S *	10/2018	Vu .....	D7/319
D834,363 S *	11/2018	Dash .....	D7/319
D845,694 S *	4/2019	Liu .....	D7/317
2010/0018403 A1 *	1/2010	Hoare .....	A47J 31/0615 99/281

\* cited by examiner

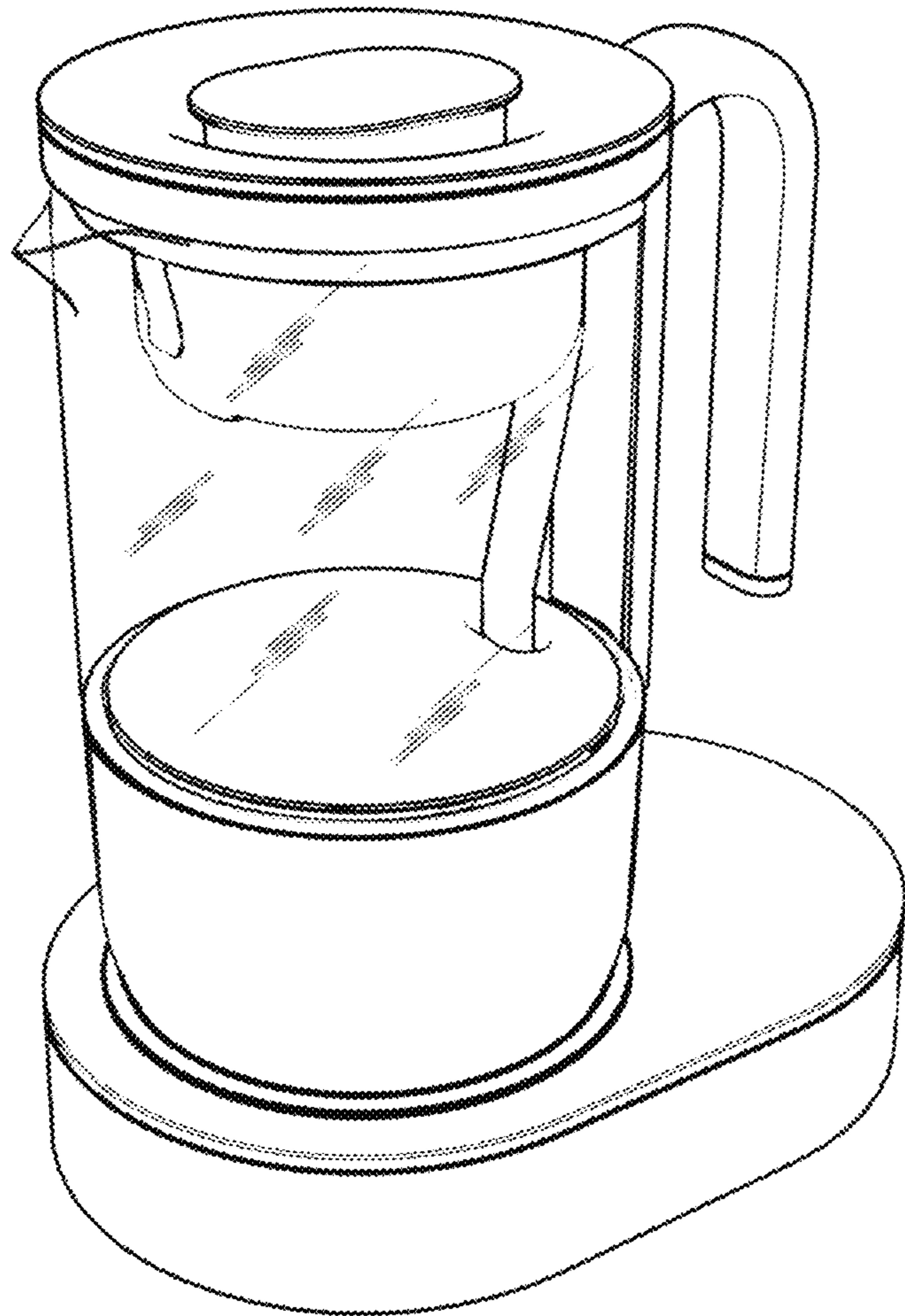


FIG. 1

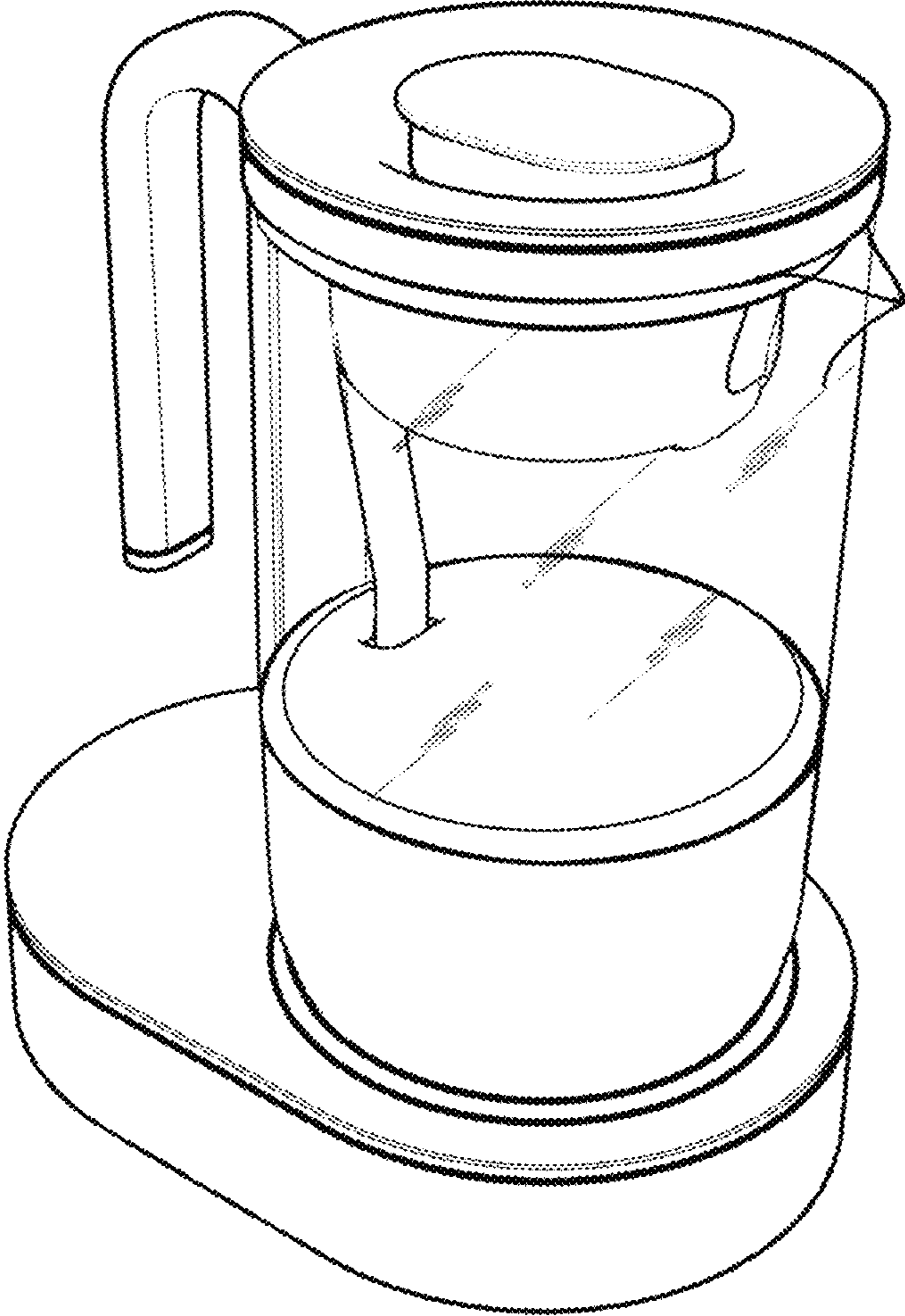


FIG. 2

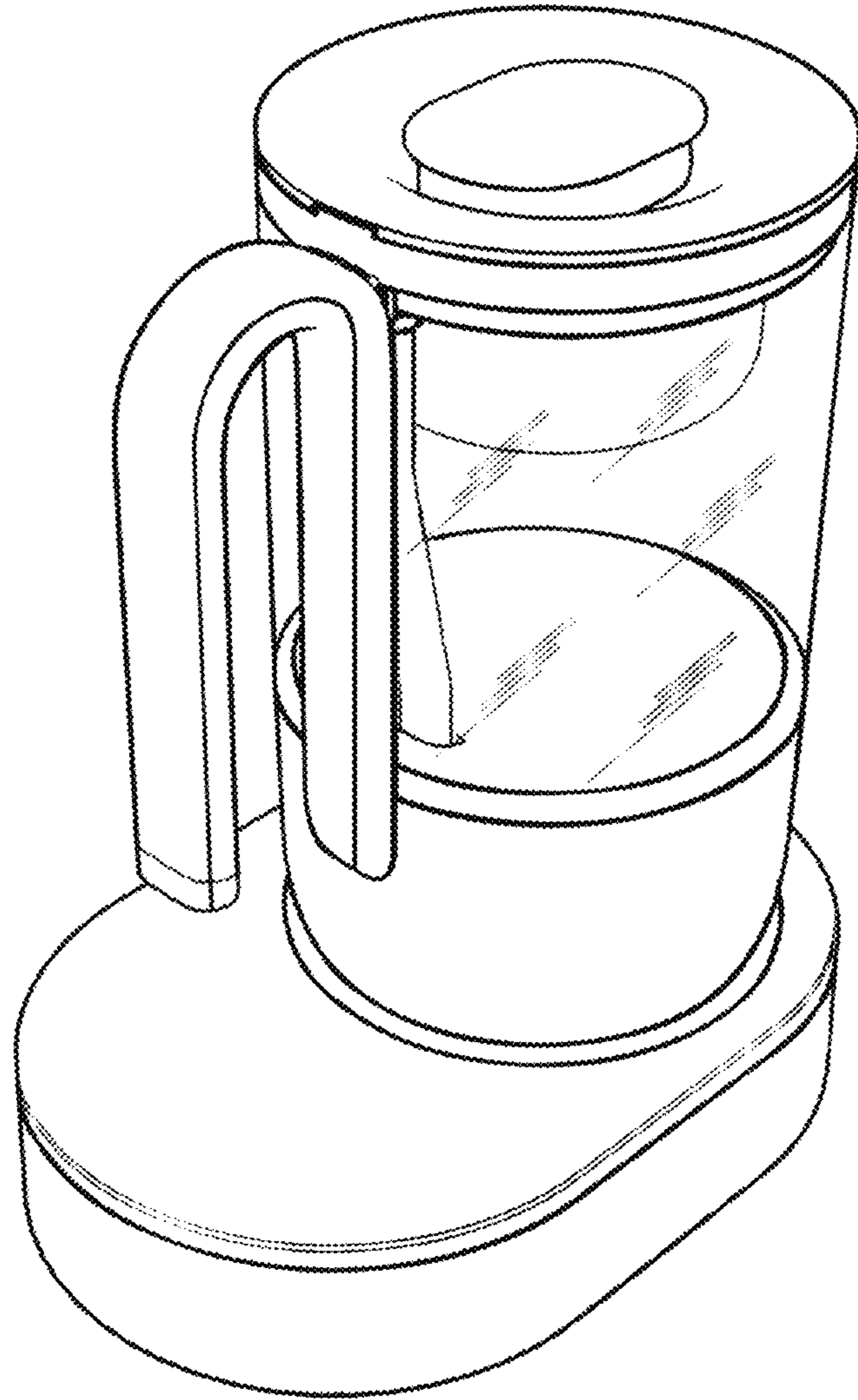


FIG. 3

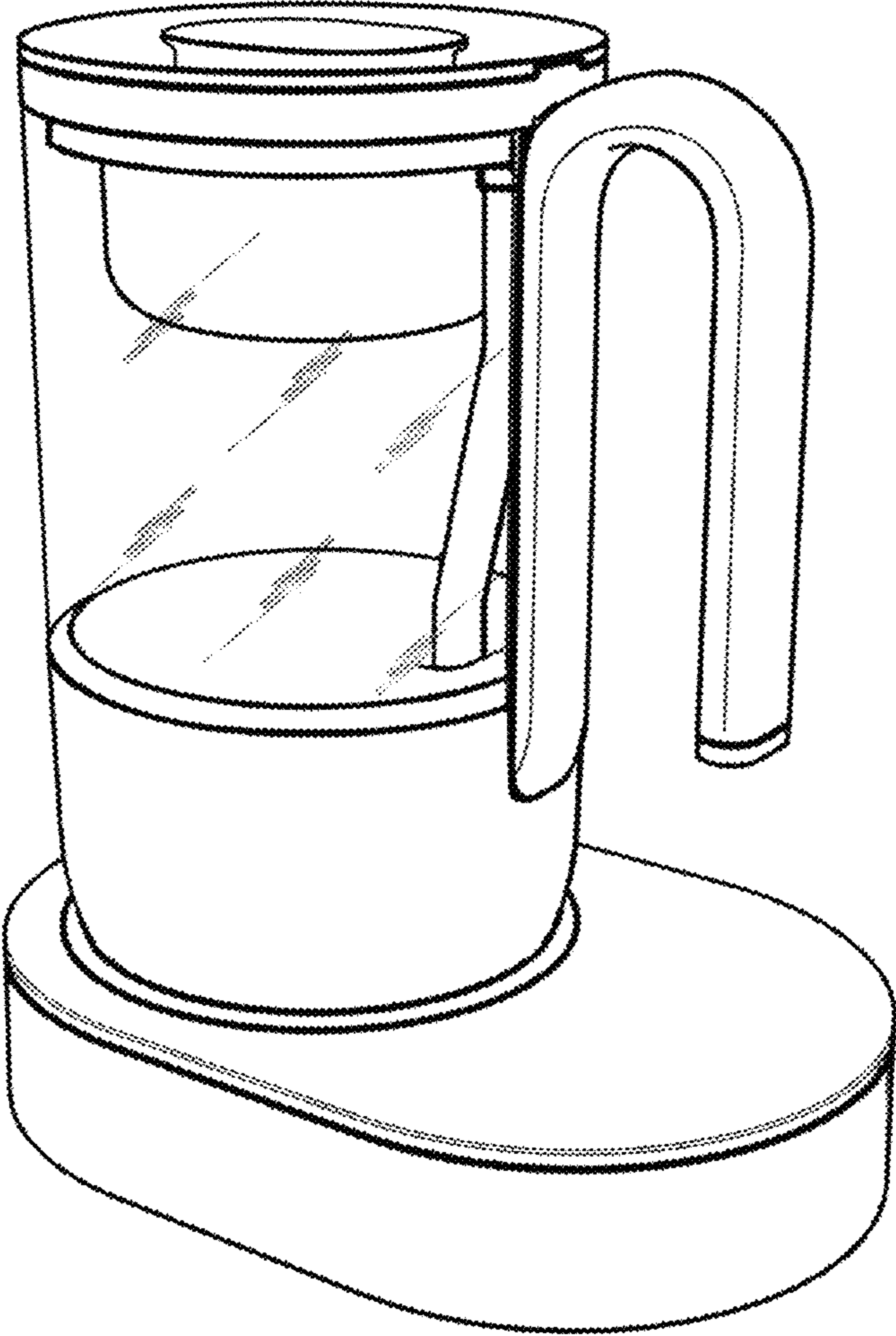


FIG. 4

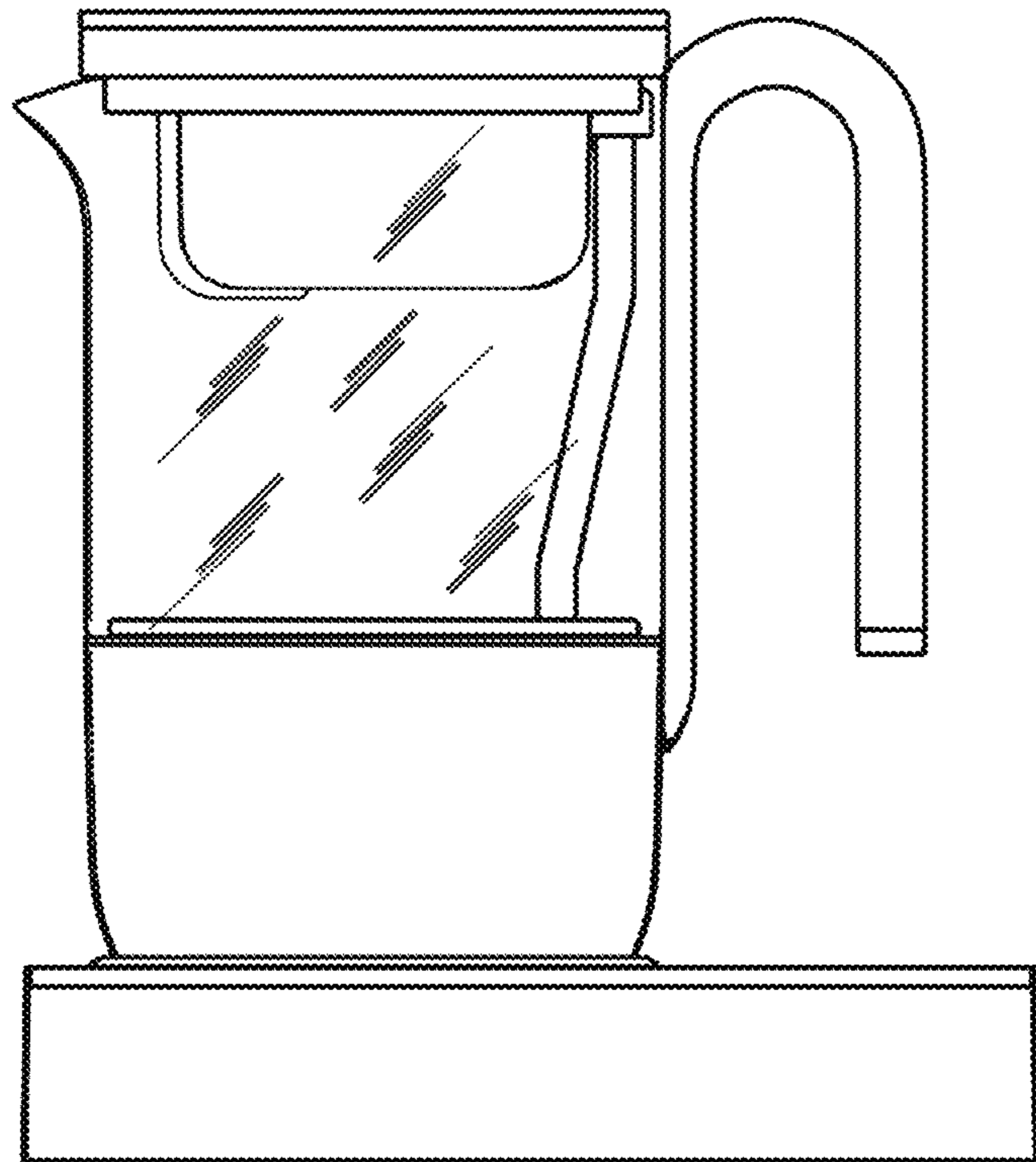


FIG. 5

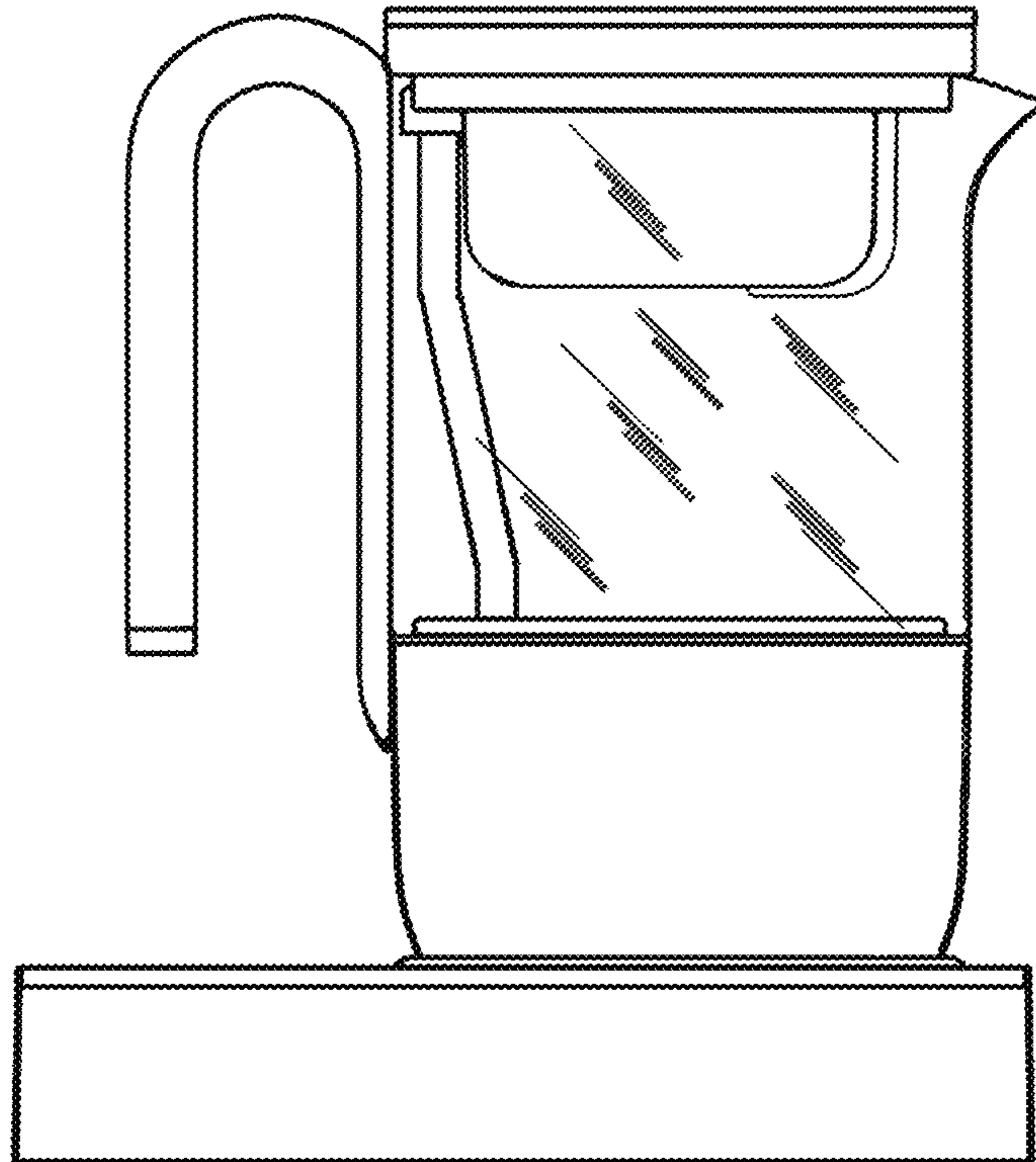


FIG. 6



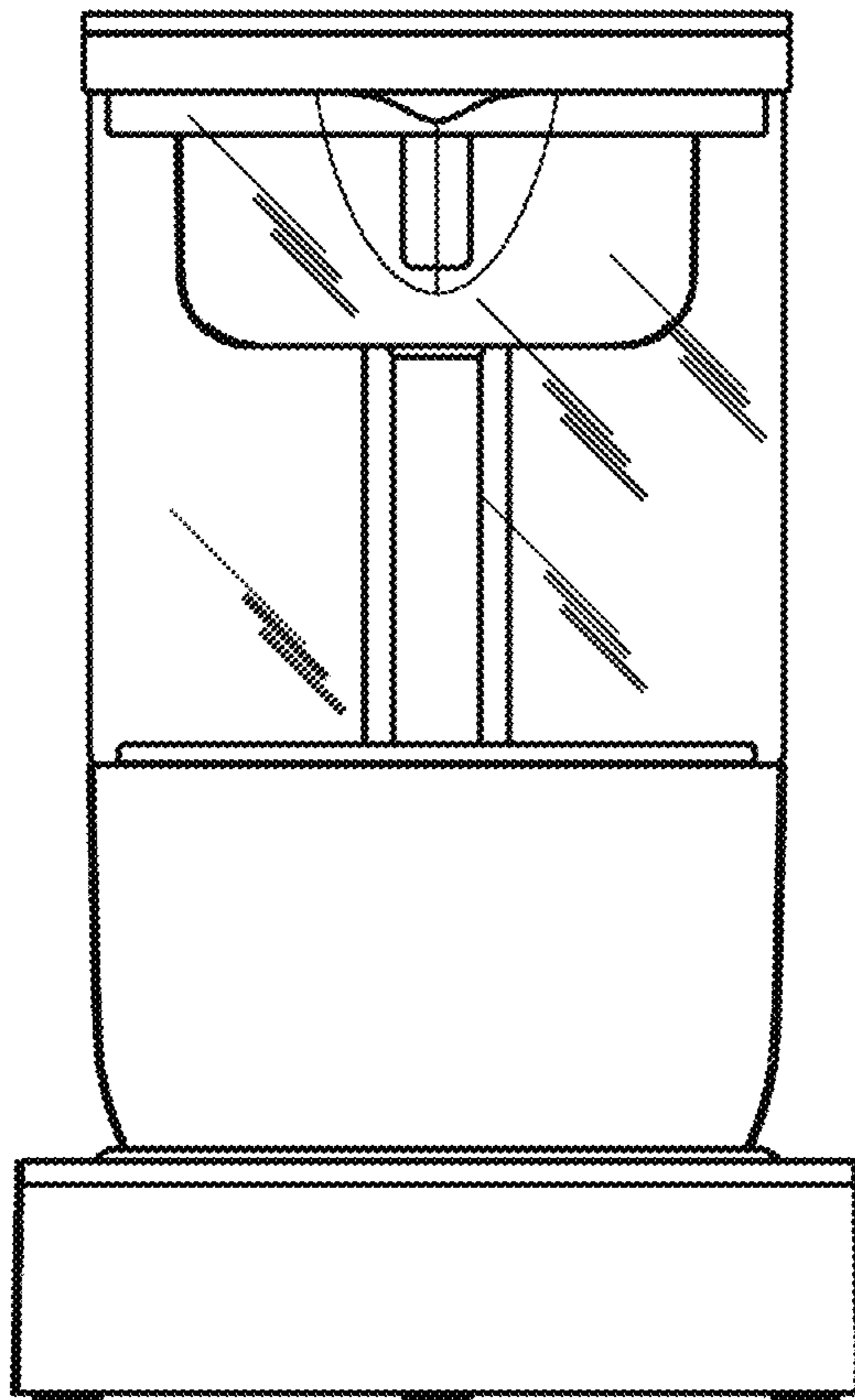


FIG. 7

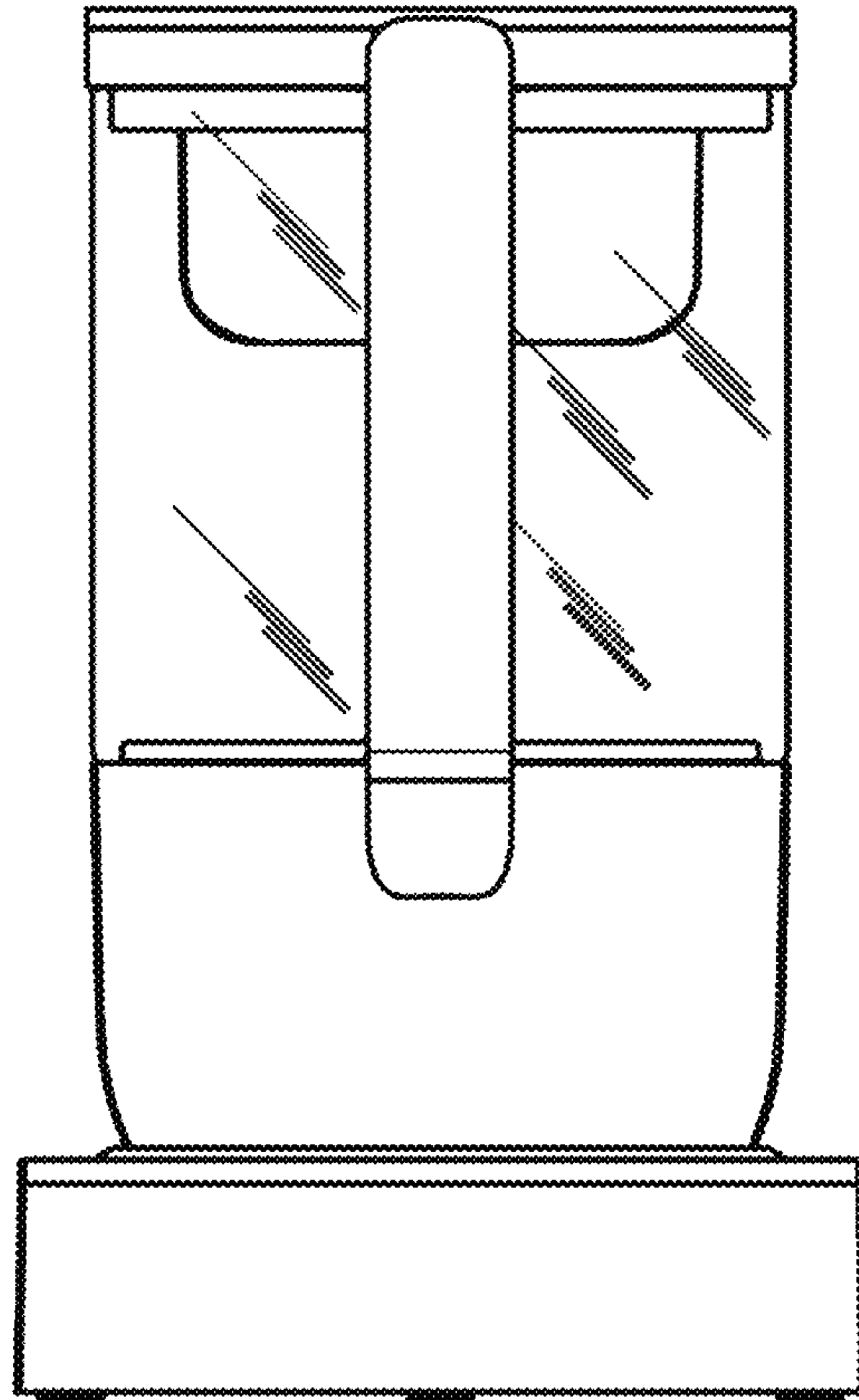


FIG. 8

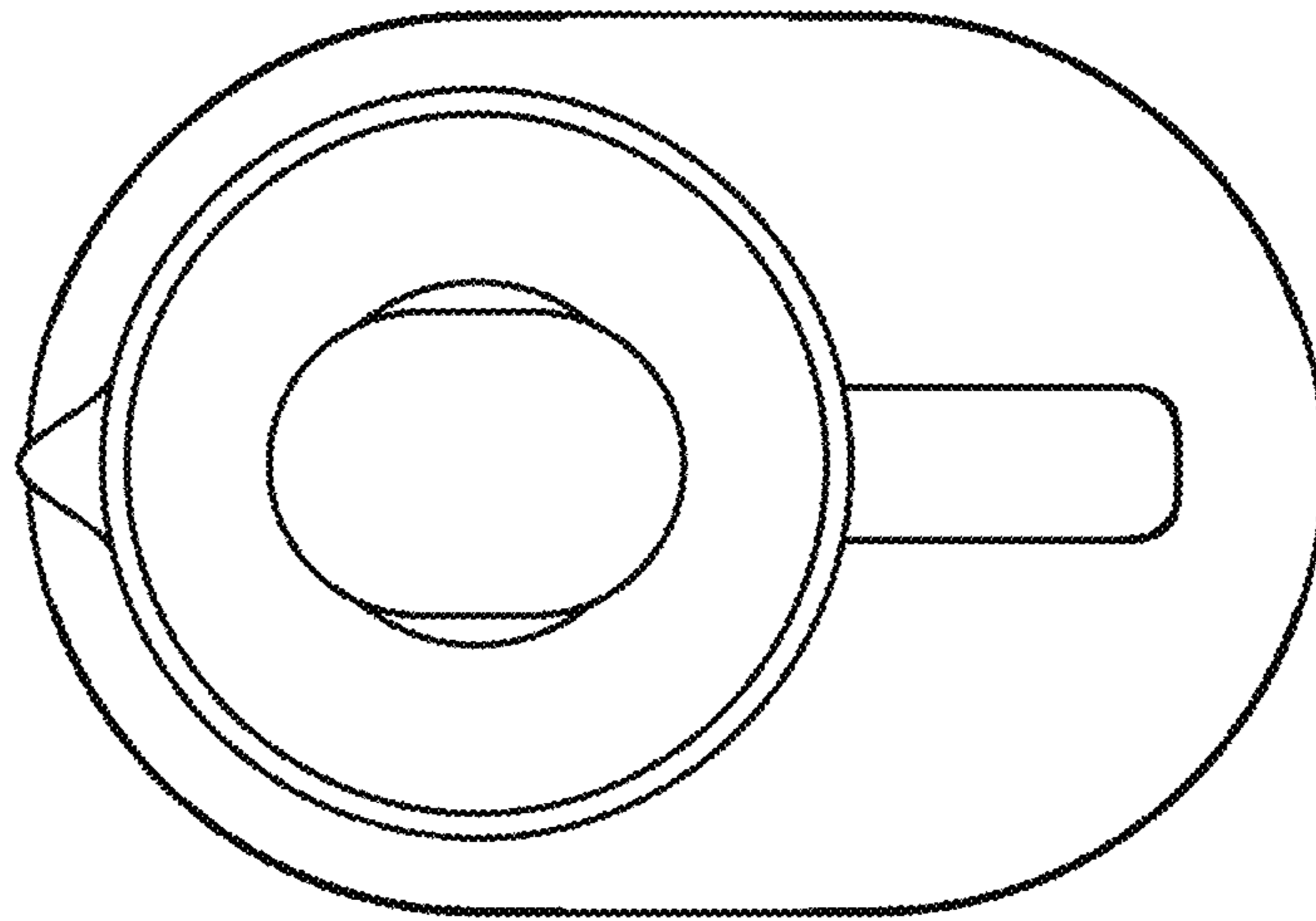


FIG. 9