



US00D876868S

(12) **United States Design Patent**
Wang

(10) **Patent No.:** **US D876,868 S**

(45) **Date of Patent:** **** Mar. 3, 2020**

(54) **DRIP BREWING POT**

(71) Applicant: **Hsuan Wang**, Taipei (TW)

(72) Inventor: **Hsuan Wang**, Taipei (TW)

(73) Assignee: **Hsuan Wang**, Taipei (TW)

(**) Term: **15 Years**

(21) Appl. No.: **29/668,955**

(22) Filed: **Nov. 3, 2018**

(51) **LOC (12) Cl.** **07-01**

(52) **U.S. Cl.**

USPC **D7/316**; D7/310; D7/317; D7/318

(58) **Field of Classification Search**

USPC D7/316-322, 598, 600, 310, 536, 507;
222/188, 465.1, 713; D23/209; 99/285,
99/304, 292

CPC A47J 31/106; A47J 31/50; A47J 45/0077;
A47J 31/053; A47J 31/20; A47J 31/02;
A47J 45/10; A47J 31/14; A47J 411/02;
A47J 31/38; A47J 31/306; A47G 3/0471;
A47G 19/12

See application file for complete search history.

(56) **References Cited**

U.S. PATENT DOCUMENTS

4,721,034 A * 1/1988 Shimomura A47J 31/047
99/280
D465,120 S * 11/2002 Bouhuys D7/309

D557,977 S * 12/2007 Neace D7/397
D606,805 S * 12/2009 Neace D7/399
7,858,133 B2 * 12/2010 Neace, Jr. A47J 31/16
210/219
D764,216 S * 8/2016 Shao D7/309
D786,606 S * 5/2017 Bodum D7/310
D824,714 S * 8/2018 Bodum D7/318
10,064,517 B2 * 9/2018 Ou A47J 31/465
D831,401 S * 10/2018 Sanborn D7/313
10,123,650 B2 * 11/2018 McLaughlin A47J 31/0626
D854,869 S * 7/2019 Pisarevsky D7/316
D856,730 S * 8/2019 Pisarevsky D7/300
D864,645 S * 10/2019 Perez D7/316
2016/0227955 A1 * 8/2016 McLaughlin A47J 31/0626

* cited by examiner

Primary Examiner — Marianne N Pandozzi

(57) **CLAIM**

The ornamental design for a drip brewing pot, as shown and described.

DESCRIPTION

FIG. 1 is a perspective view of a drip brewing pot showing the new design;

FIG. 2 is a front view thereof;

FIG. 3 is a rear view thereof;

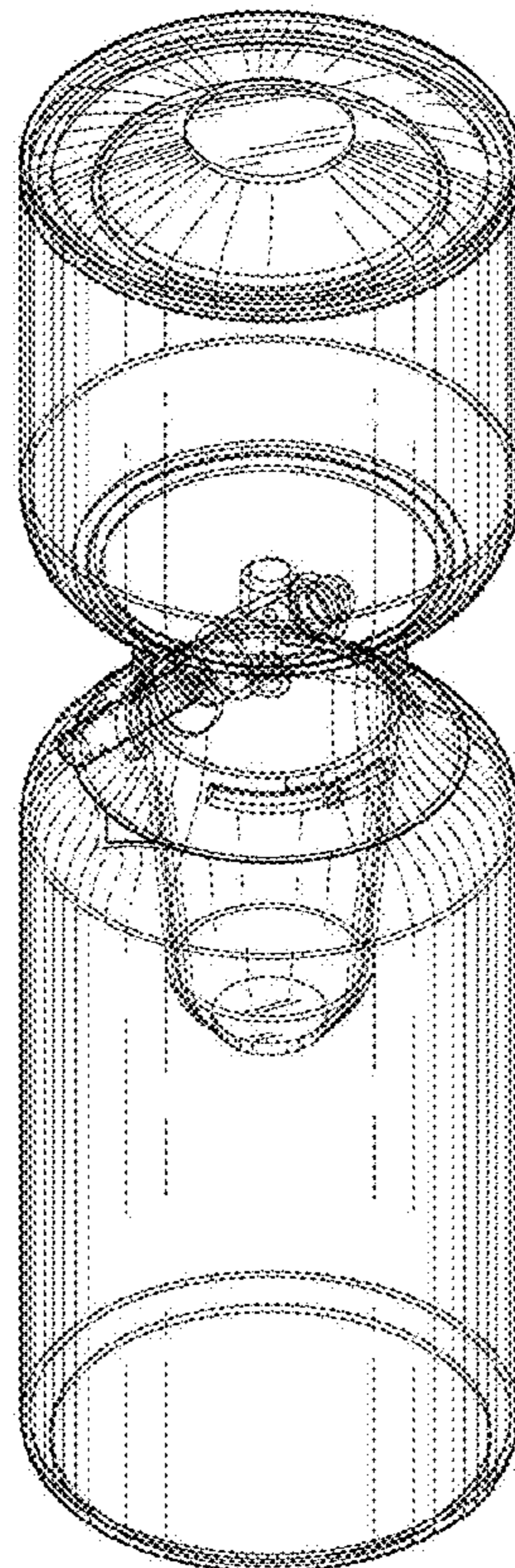
FIG. 4 is a left side view thereof;

FIG. 5 is a right side view thereof;

FIG. 6 is a top view thereof; and,

FIG. 7 is a bottom view thereof.

1 Claim, 7 Drawing Sheets



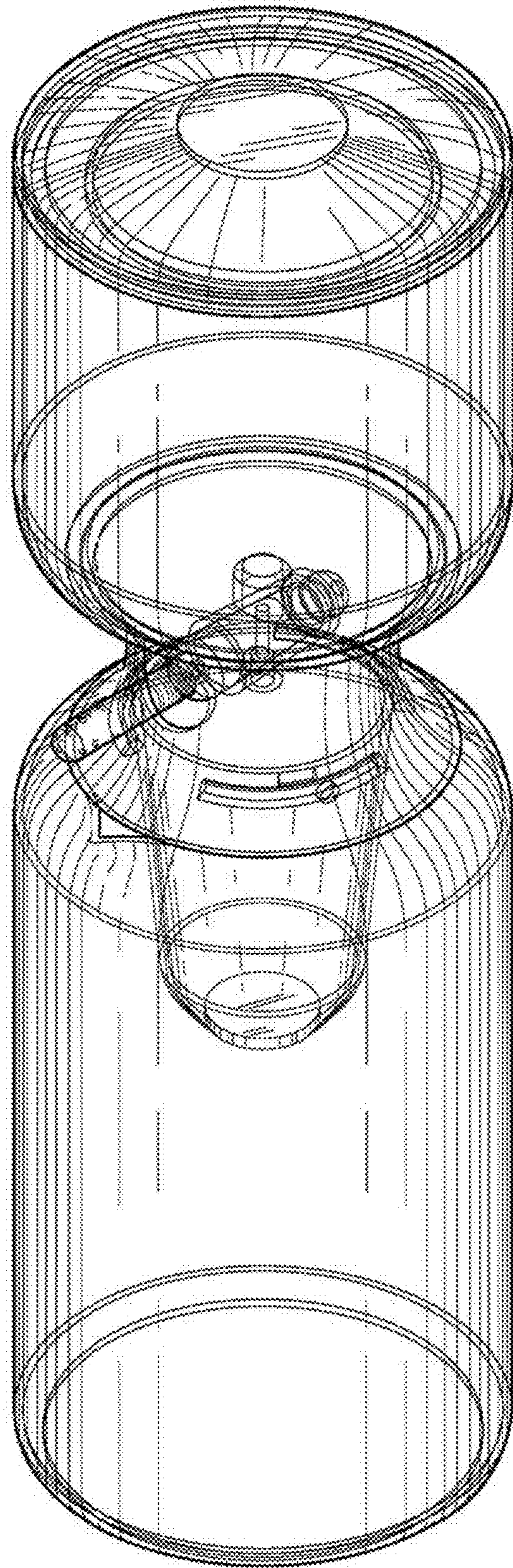


FIG. 1

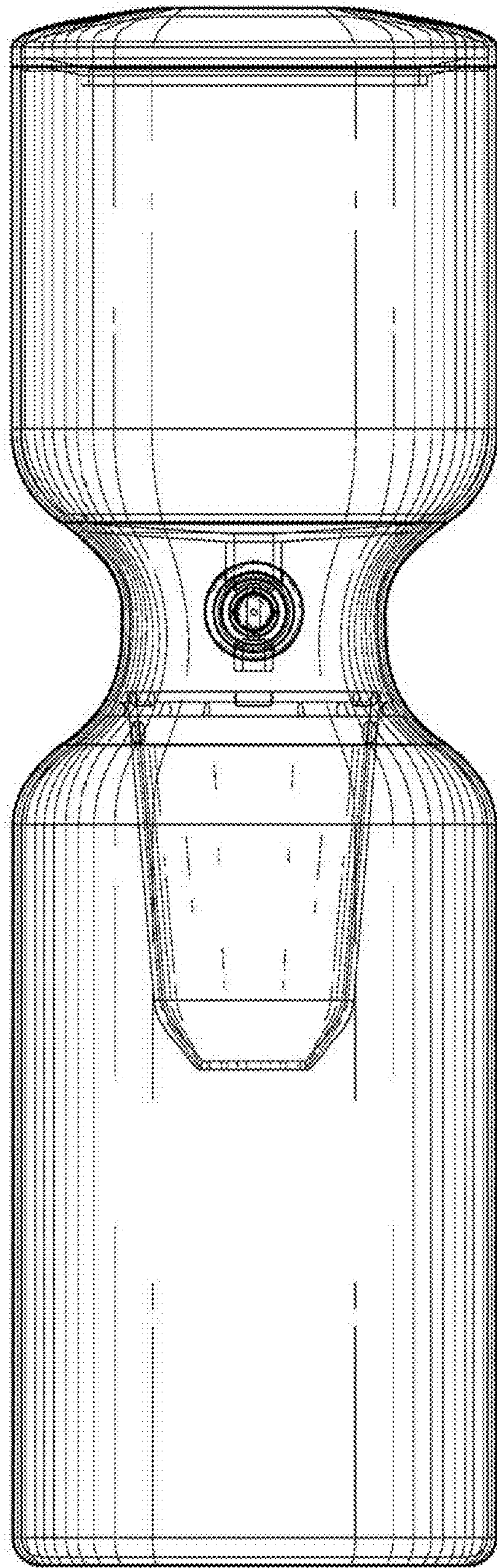


FIG. 2

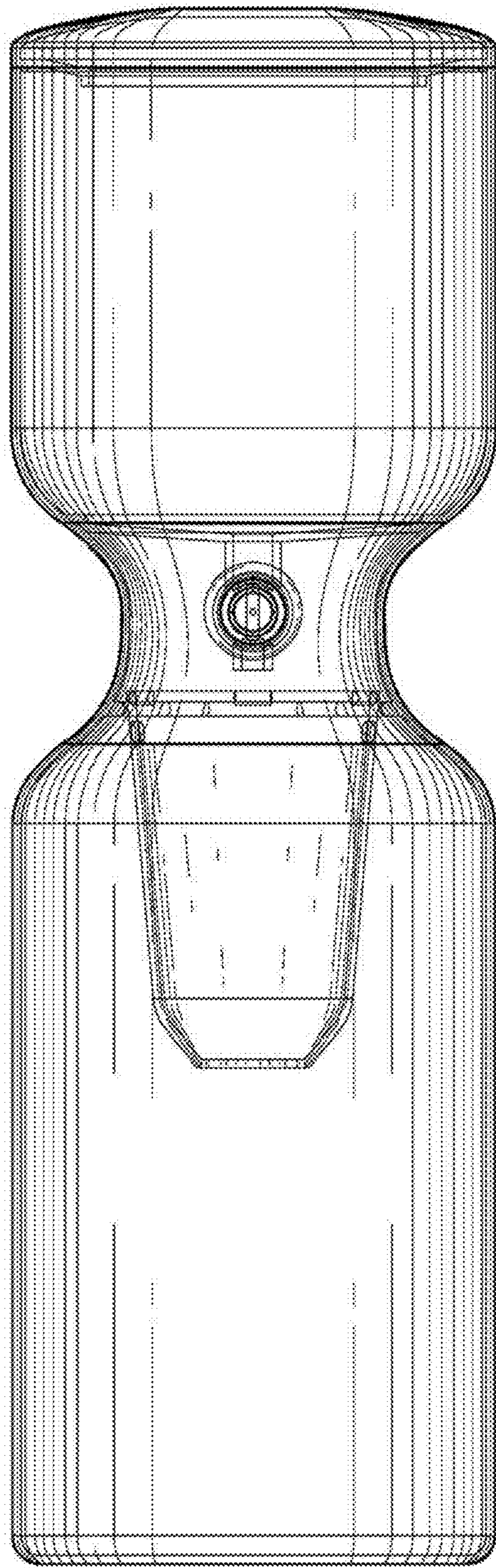


FIG. 3

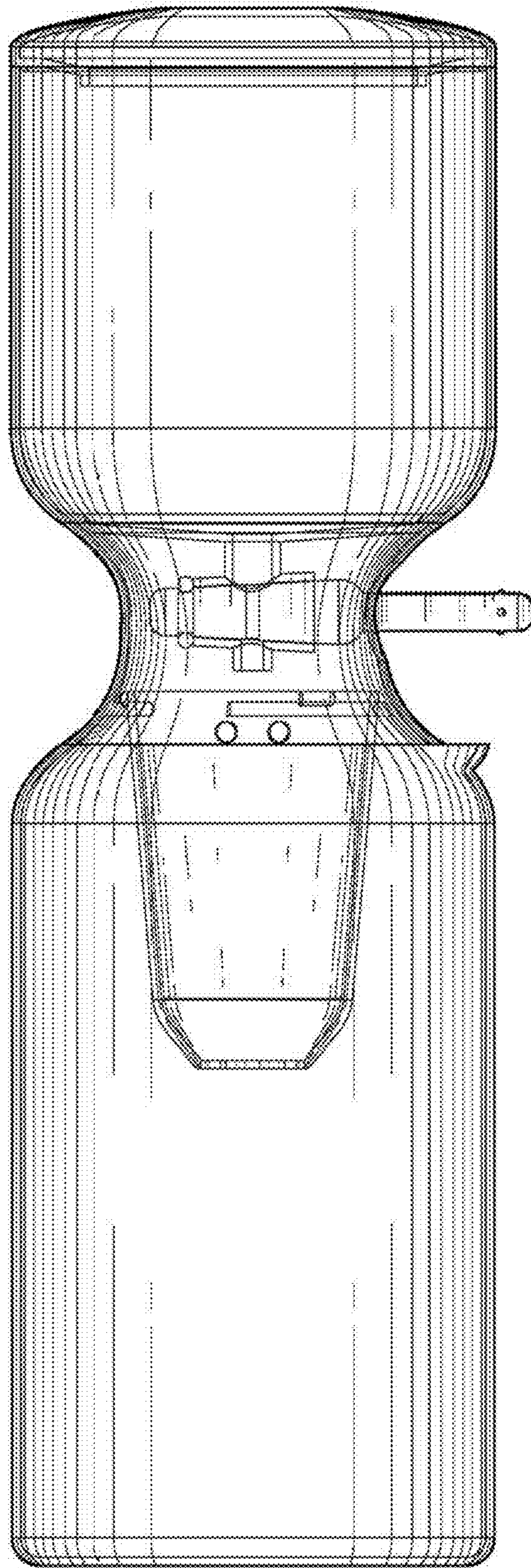


FIG. 4

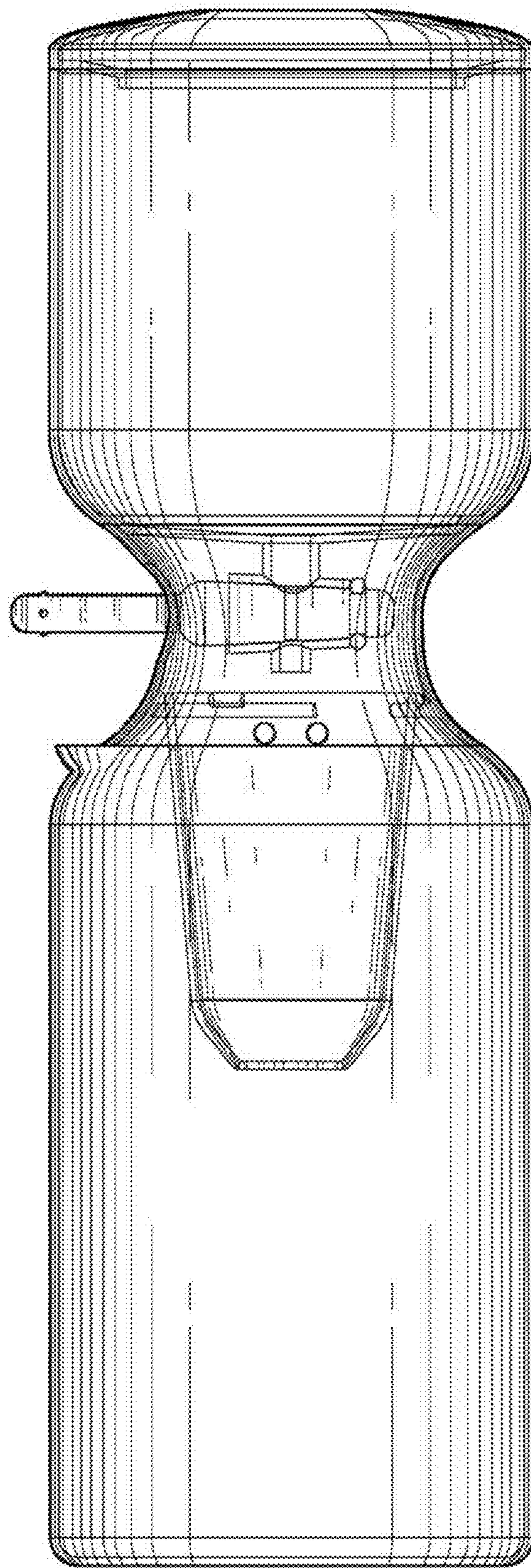


FIG. 5

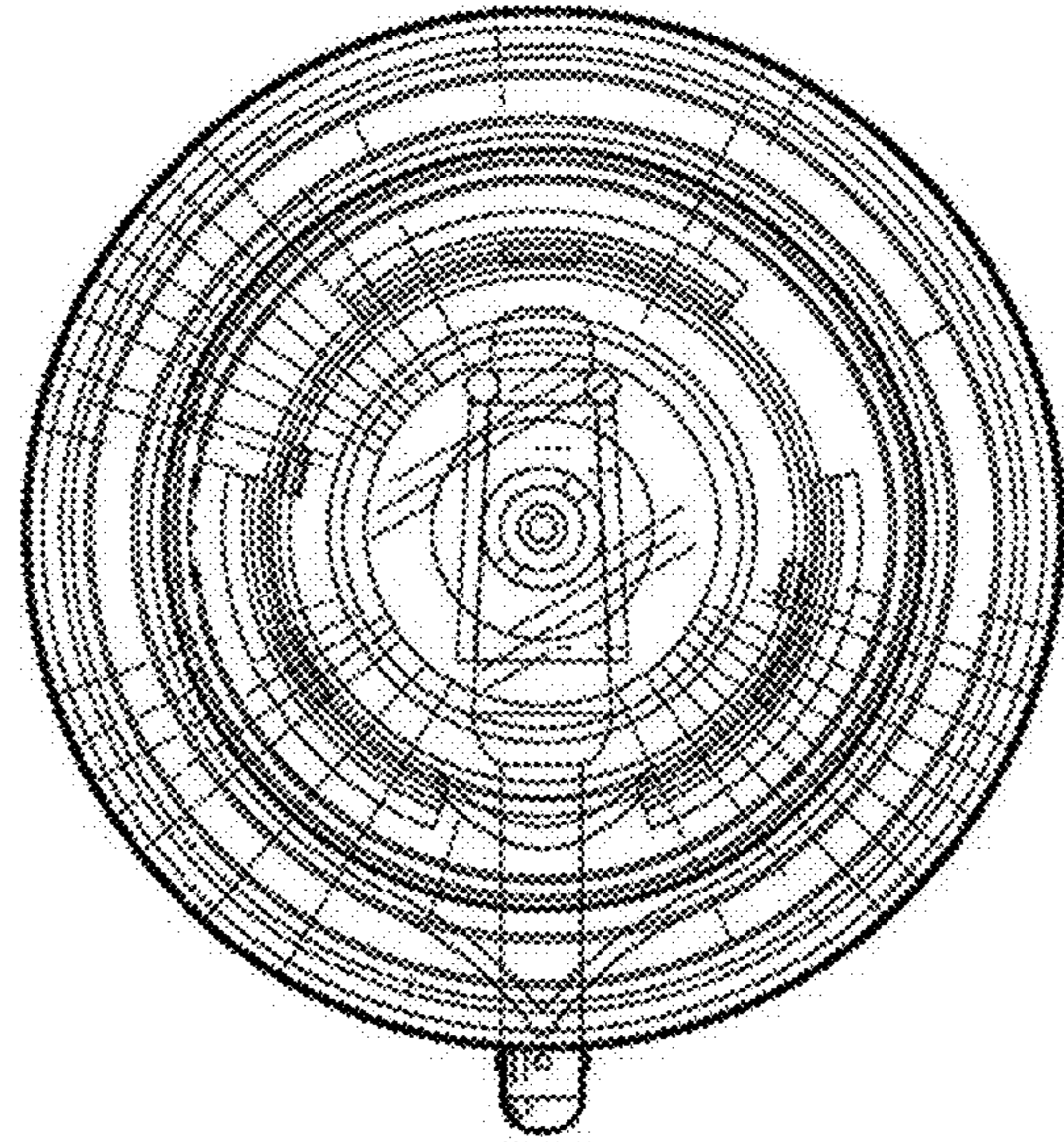


FIG. 6

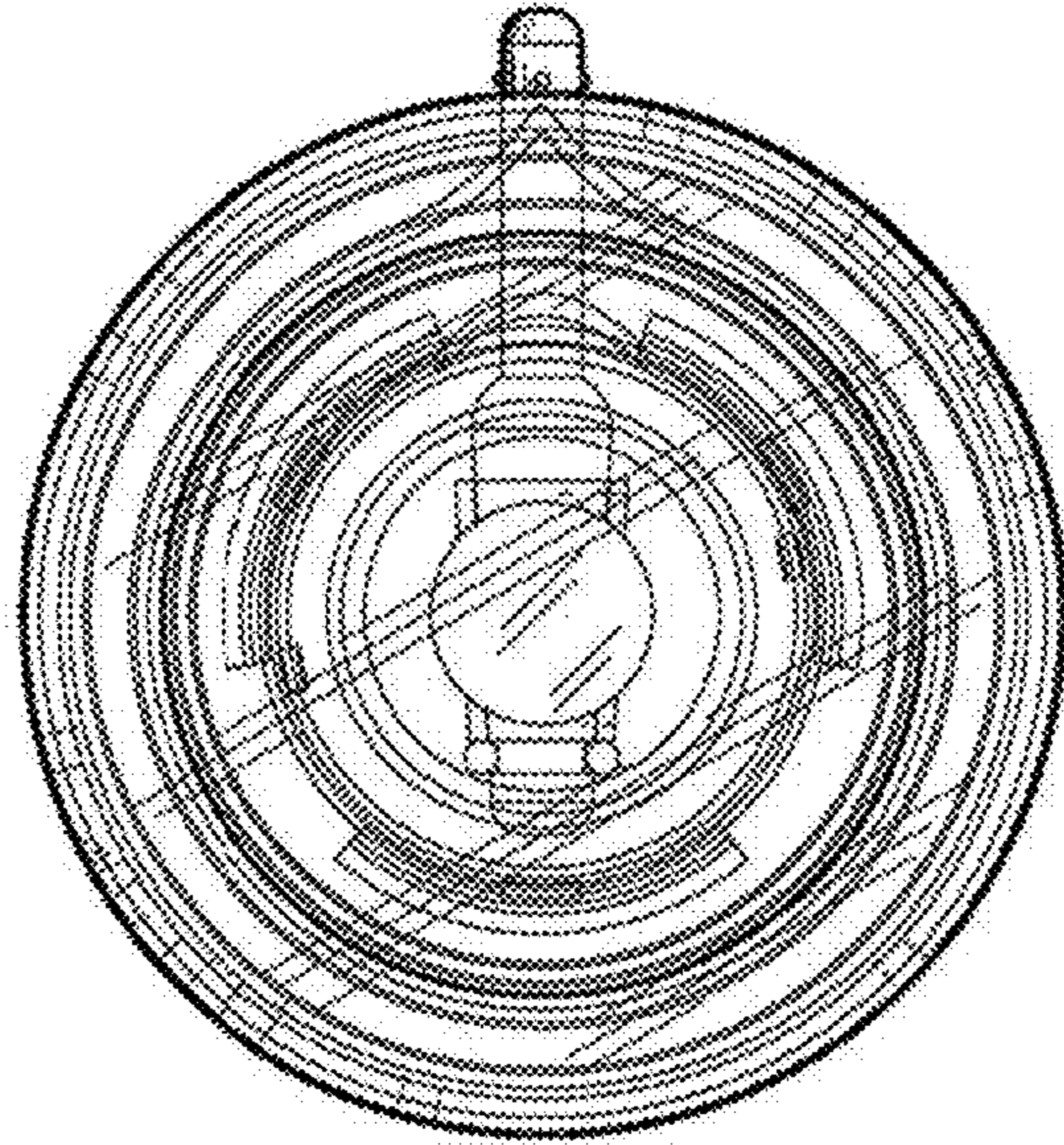


FIG. 7