



US00D876867S

(12) **United States Design Patent**  
**He**

(10) **Patent No.:** **US D876,867 S**

(45) **Date of Patent:** **\*\* Mar. 3, 2020**

(54) **TEAPOT**

(71) Applicant: **Xiaonan He**, Pingxiang (CN)

(72) Inventor: **Xiaonan He**, Pingxiang (CN)

(\*\*) Term: **15 Years**

(21) Appl. No.: **29/666,743**

(22) Filed: **Oct. 16, 2018**

(51) **LOC (12) Cl.** ..... **07-01**

(52) **U.S. Cl.**  
USPC ..... **D7/316; D7/317**

(58) **Field of Classification Search**  
USPC ..... D7/598, 312, 317, 316, 318, 319, 300;  
D11/153, 146

CPC ..... A47G 19/22; A47G 19/16; A47G 19/12;  
A47J 41/0094

See application file for complete search history.

(56) **References Cited**

**U.S. PATENT DOCUMENTS**

5,941,409 A \* 8/1999 Leaderman ..... A47G 19/22  
220/703  
6,513,683 B1 \* 2/2003 Kull ..... A47G 19/14  
220/592.22

D494,003 S \* 8/2004 Kerr ..... D7/312

D676,270 S \* 2/2013 Heiberg ..... D7/316

D769,046 S \* 10/2016 Beckman ..... B65D 25/28  
D7/300

2018/0055273 A1\* 3/2018 Birch ..... A47J 31/0636

\* cited by examiner

*Primary Examiner* — Marianne N Pandozzi

(74) *Attorney, Agent, or Firm* — Fasth Law Offices; Rolf Fasth

(57) **CLAIM**

The ornamental design for a teapot, as shown and described.

**DESCRIPTION**

FIG. 1 is a top perspective view of a teapot showing my new design;

FIG. 2 is a front elevational view thereof;

FIG. 3 is a rear elevational view thereof;

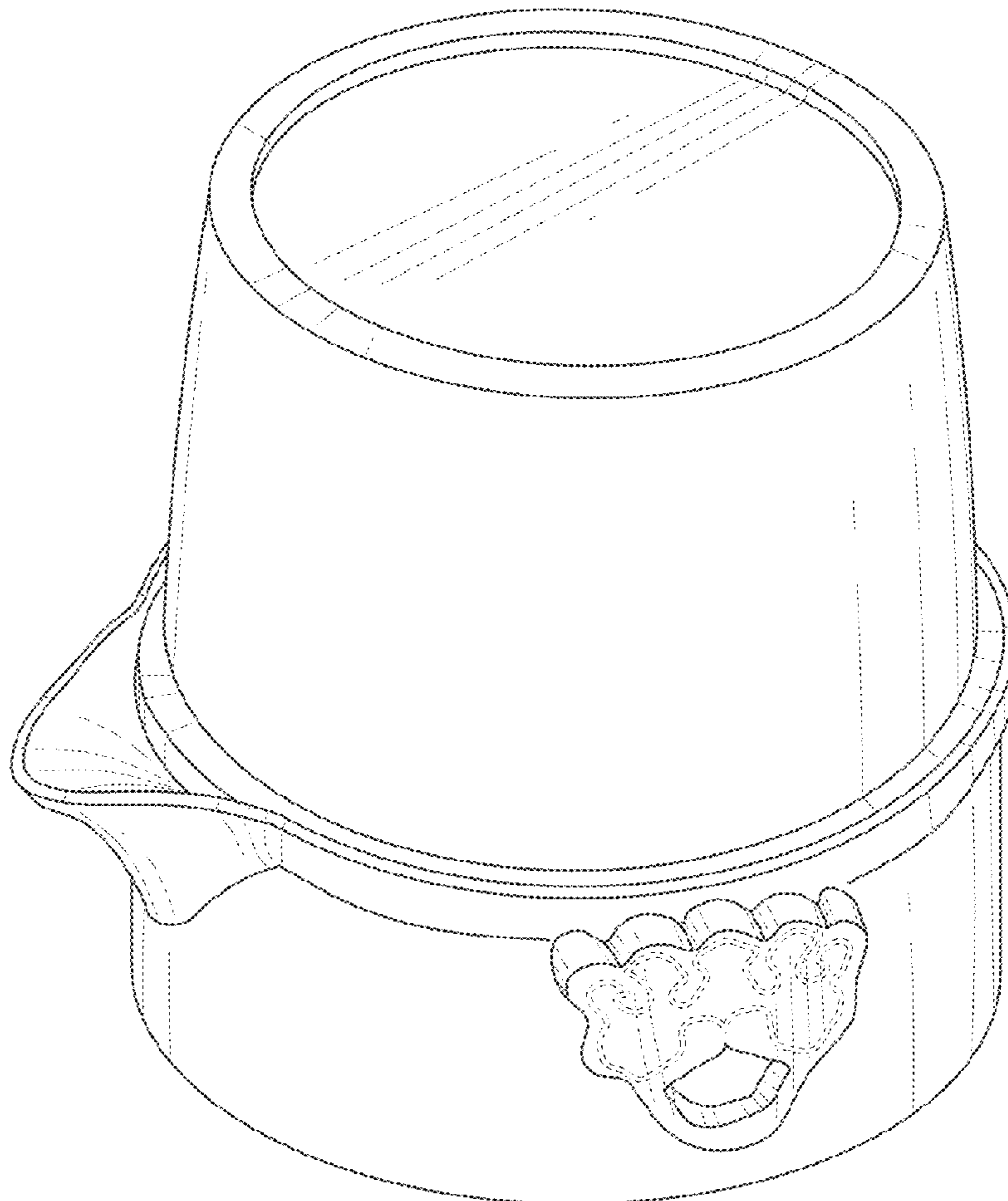
FIG. 4 is a left side elevational view thereof;

FIG. 5 is a right side elevational view thereof;

FIG. 6 is a top view of the teapot shown in FIG. 1; and,

FIG. 7 is a bottom view of the teapot shown in FIG. 1.

**1 Claim, 7 Drawing Sheets**



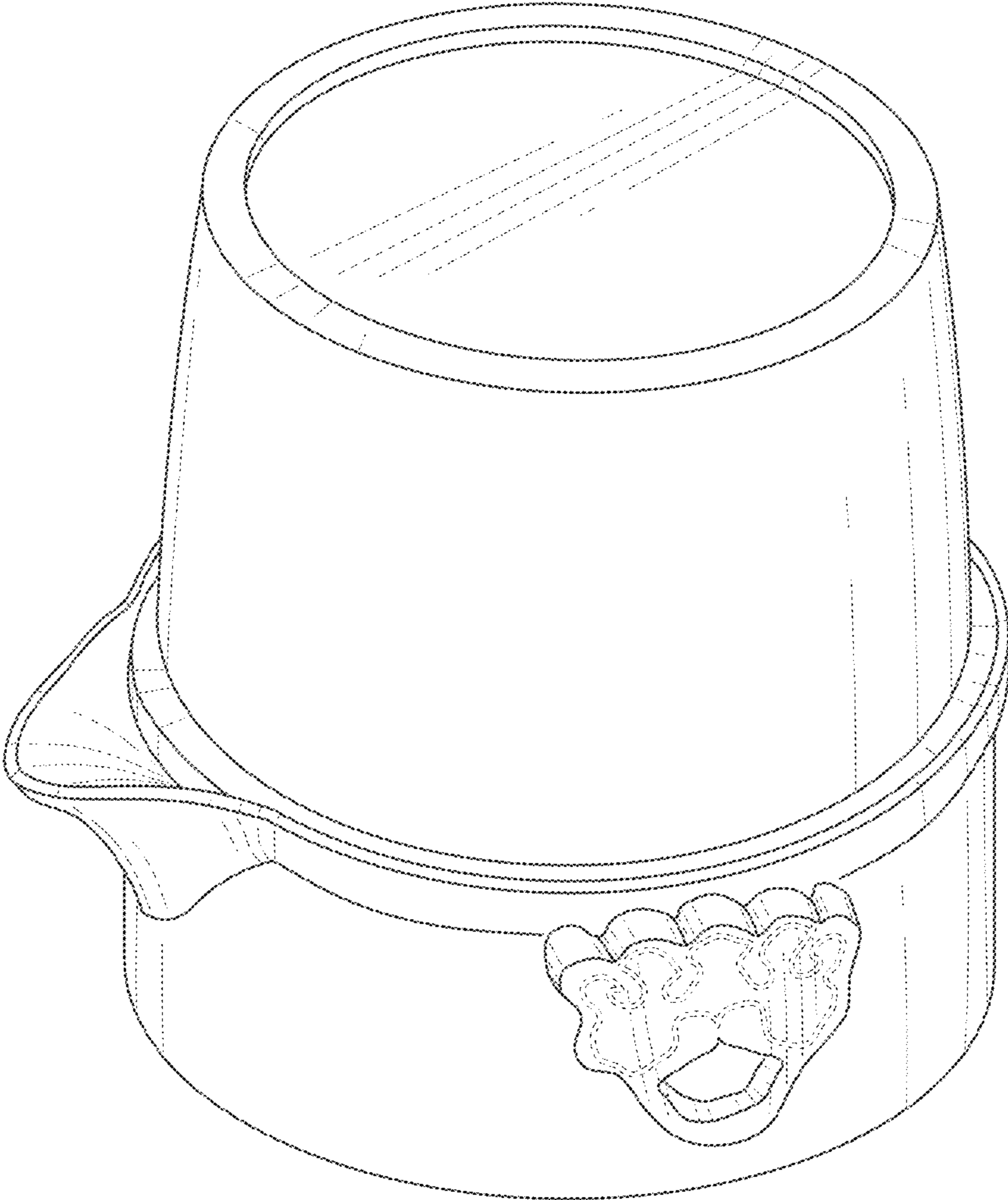


Fig. 1

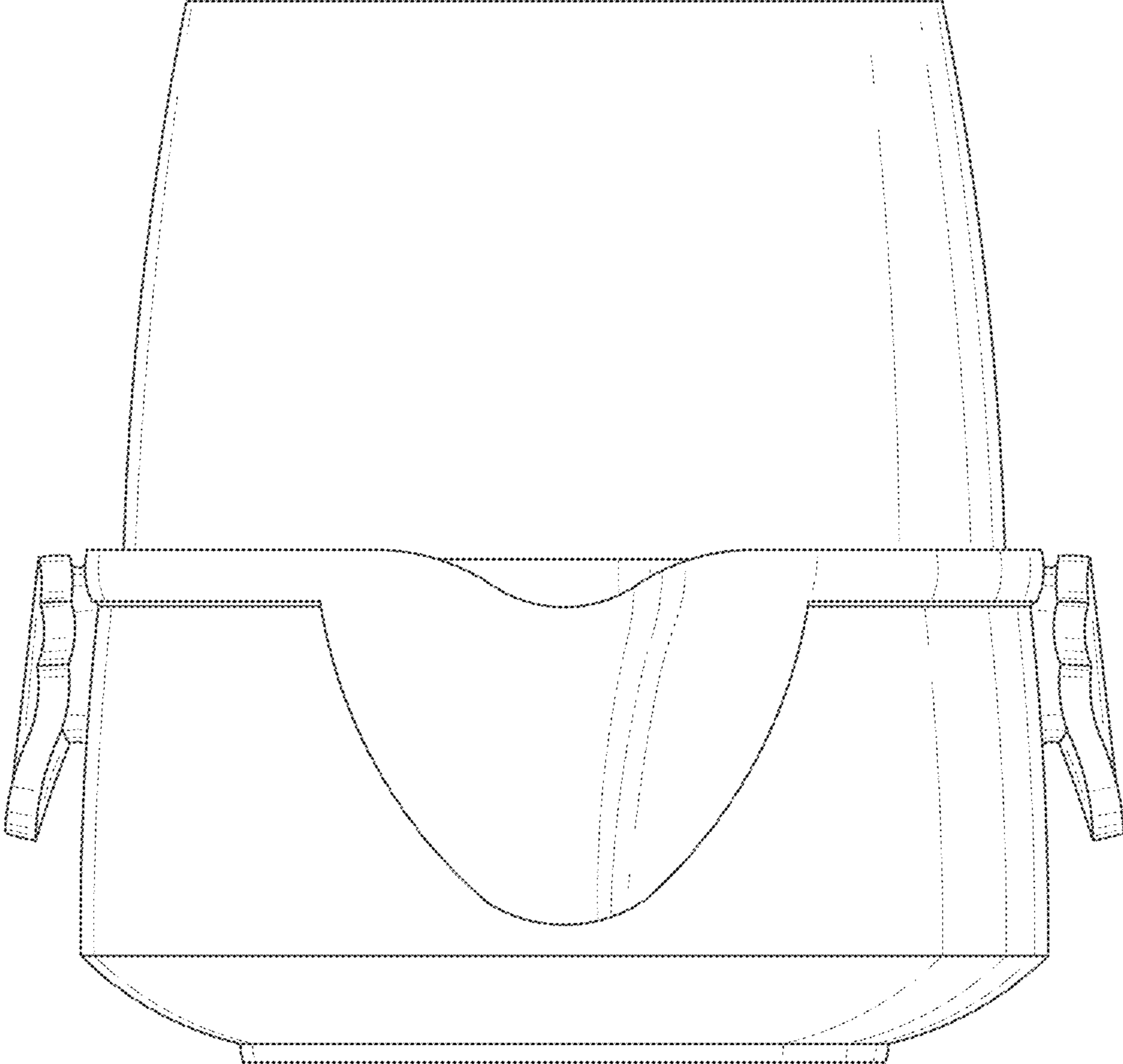


Fig.2

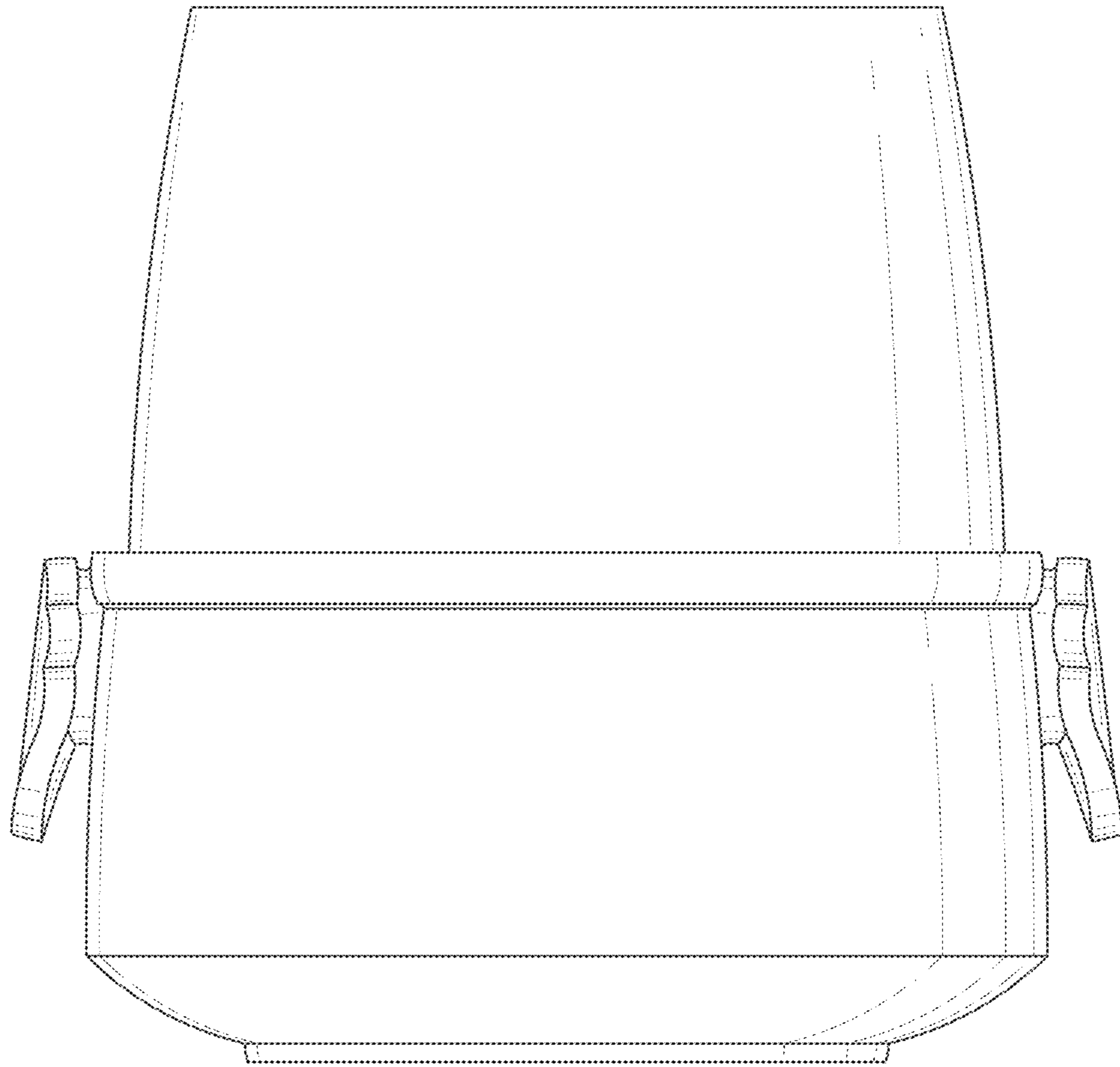


Fig.3

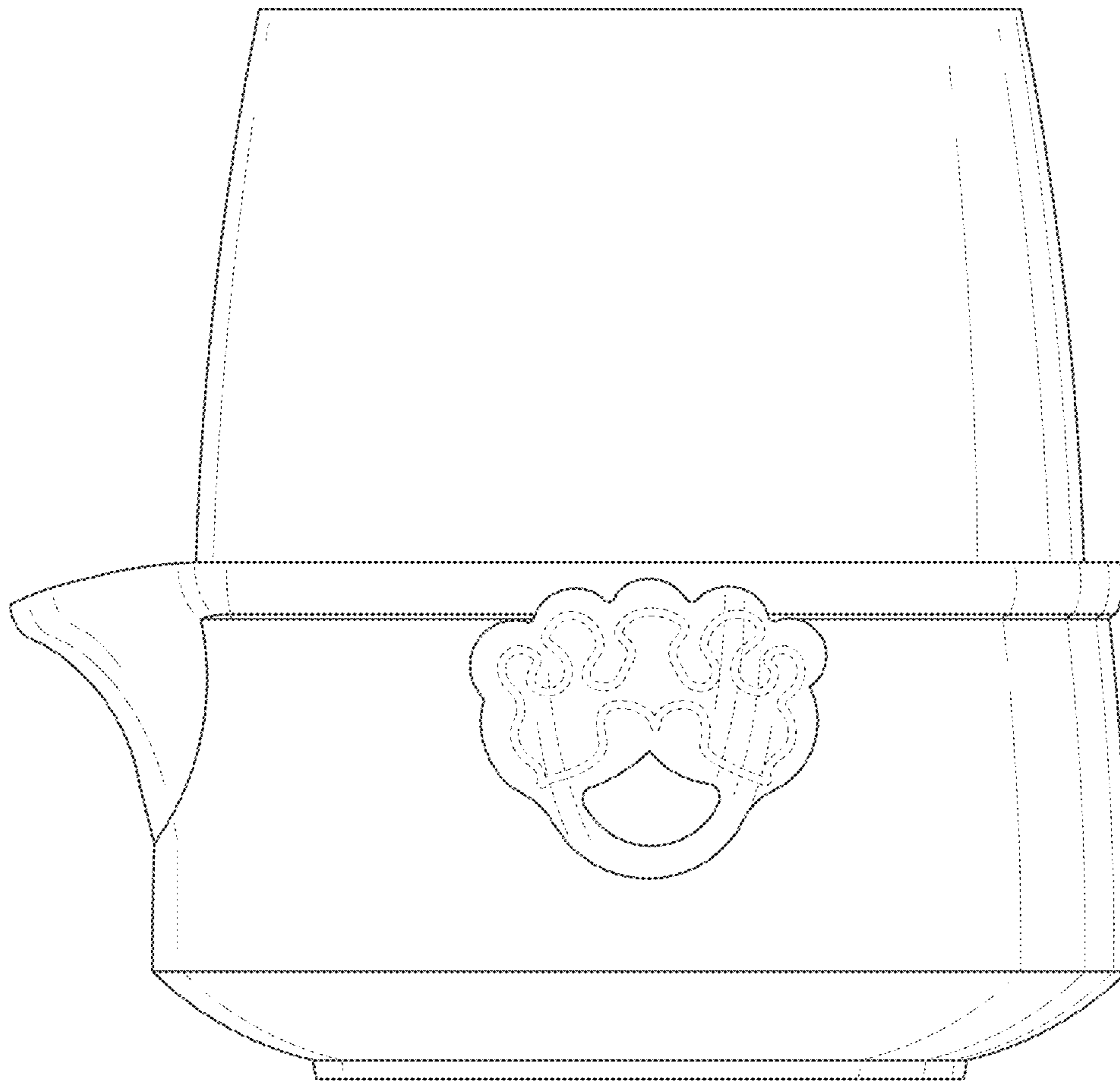


Fig.4

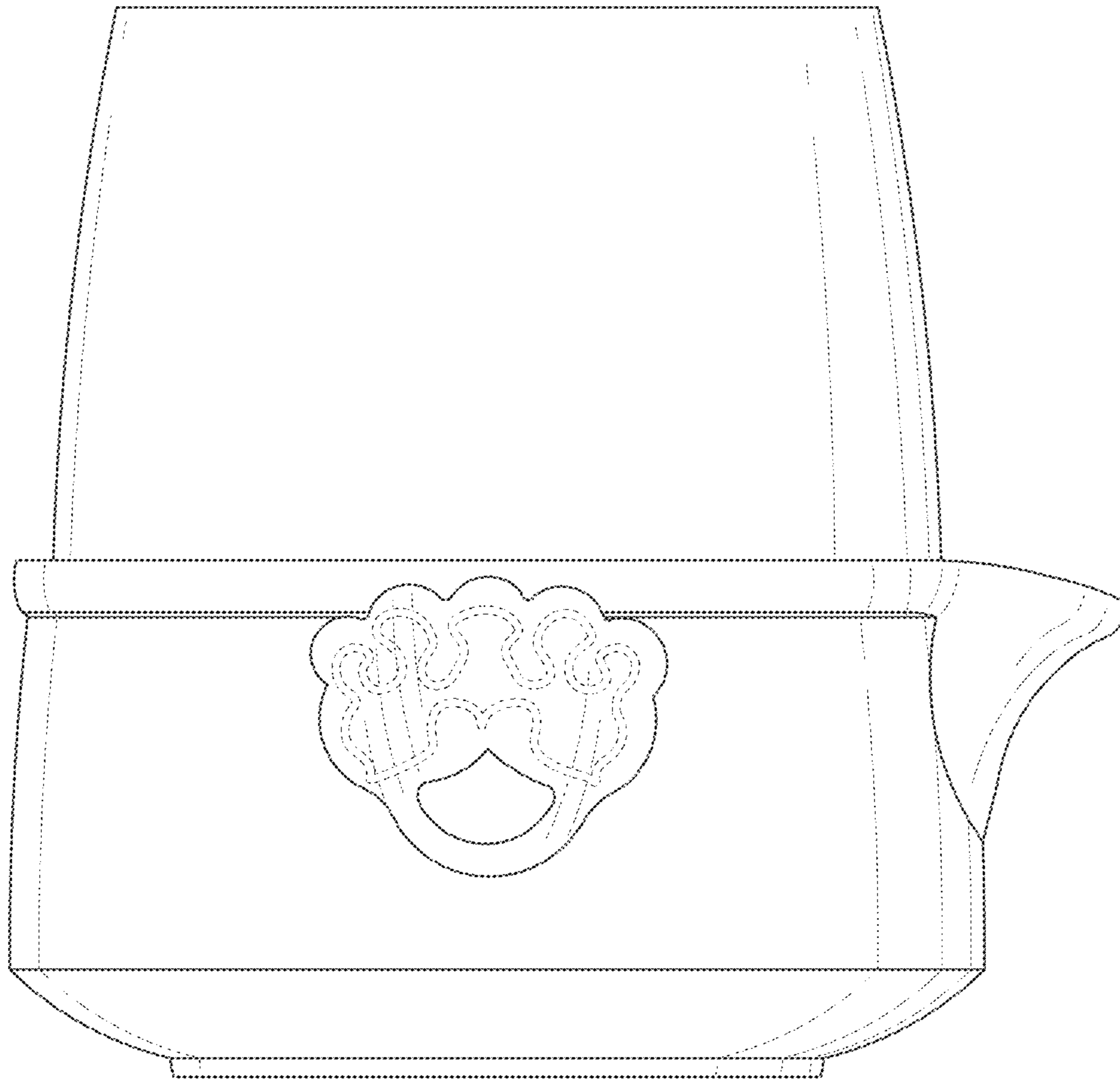


Fig.5

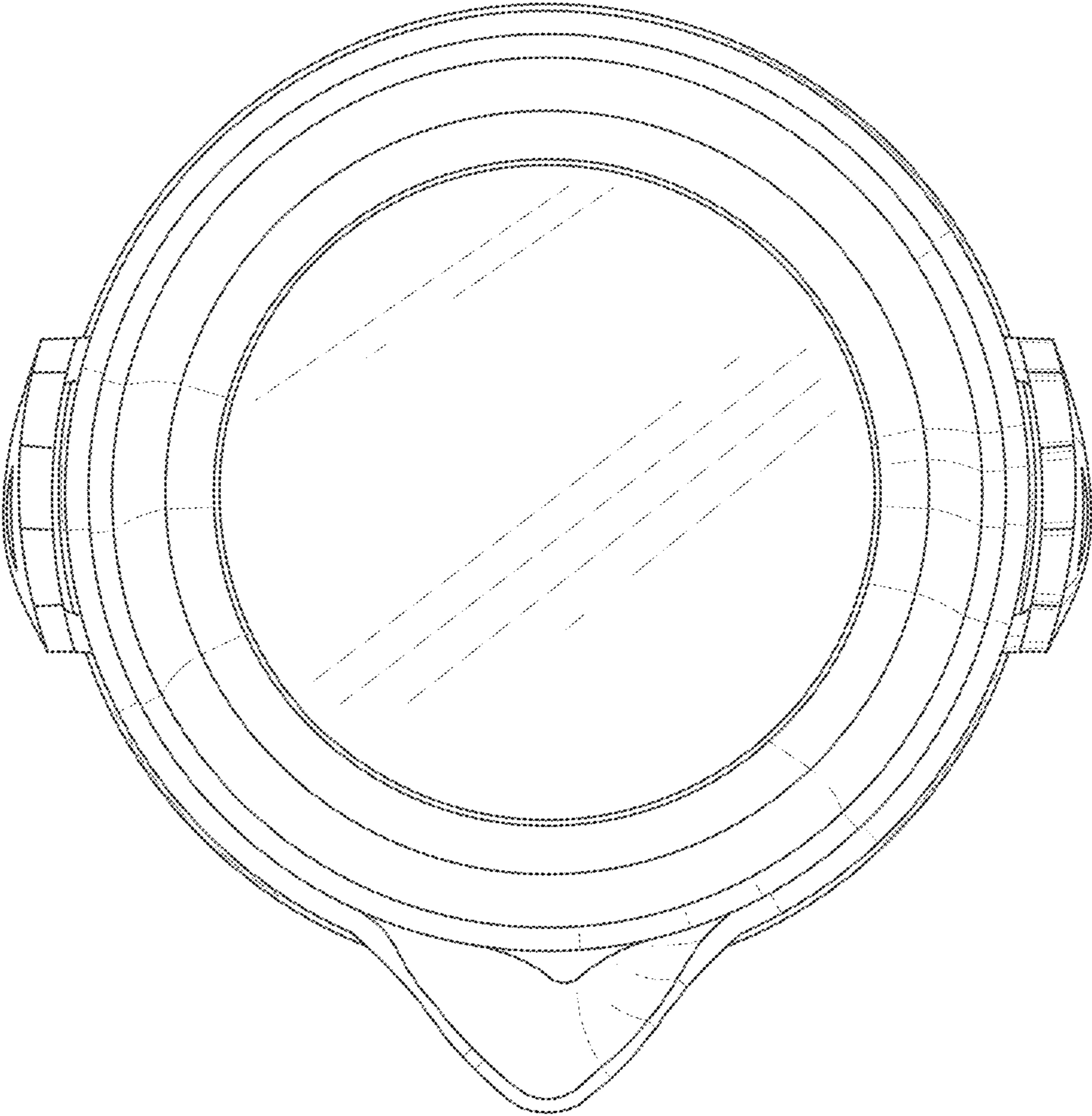


Fig.6

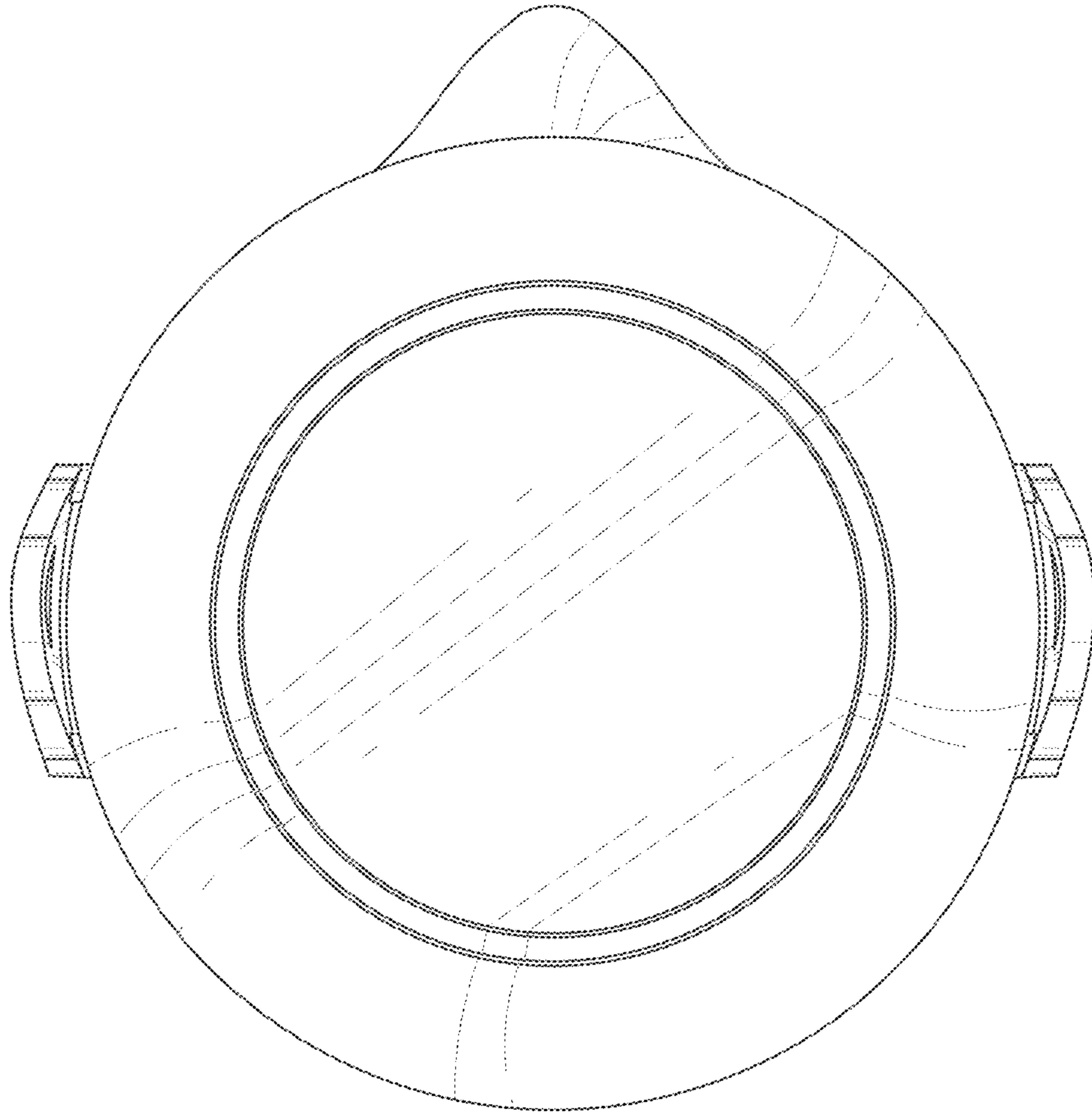


Fig. 7