



US00D876865S

(12) **United States Design Patent**
Ellington et al.

(10) **Patent No.:** **US D876,865 S**
(45) **Date of Patent:** **** Mar. 3, 2020**

(54) **DRINKING STATION**
(71) Applicant: **Splash International**, Seattle, WA (US)
(72) Inventors: **Nicholas Ellington**, Seattle, WA (US);
Michael Kollins, Seattle, WA (US);
Eric Stowe, Seattle, WA (US); **Megan Williams**, Seattle, WA (US); **Benoit Collette**, Seattle, WA (US); **Clement Gallois**, Seattle, WA (US); **Markus Wierzoch**, Seattle, WA (US)

D184,383 S * 2/1959 Stevens D23/286
D238,075 S * 12/1975 Harris D23/308
D264,214 S * 5/1982 Bowen D34/14
6,129,291 A * 10/2000 Commeville E03B 9/20
239/16
D578,188 S * 10/2008 Hardesty D23/308
D697,594 S * 1/2014 Du D23/284
D713,946 S * 9/2014 Kahle D23/289
D714,580 S * 10/2014 Moon D7/307
D724,709 S * 3/2015 Macey D23/284
D737,417 S * 8/2015 Tronza D23/286
D832,021 S * 10/2018 Yoon D7/313
2013/0161410 A1 * 6/2013 Lai E03B 9/20
239/24

(73) Assignee: **SPLASH INTERNATIONAL**, Seattle, WA (US)

* cited by examiner

(**) Term: **15 Years**

Primary Examiner — Marianne N Pandozzi

(74) *Attorney, Agent, or Firm* — Lane Powell PC

(21) Appl. No.: **29/638,744**

(22) Filed: **Feb. 28, 2018**

(51) **LOC (12) Cl.** **07-01**

(52) **U.S. Cl.**
USPC **D7/305**; D23/308; D23/286; D23/289;
D23/284; D7/304; D7/308

(58) **Field of Classification Search**
USPC D7/305, 304, 307, 308, 313; D23/308,
D23/286, 289, 284
CPC E03B 9/20; B05B 17/08
See application file for complete search history.

(56) **References Cited**

U.S. PATENT DOCUMENTS

D107,464 S * 12/1937 Trout D7/304
D119,300 S * 3/1940 Bales D23/291
2,841,799 A * 7/1958 Traynor E03C 1/18
4/638

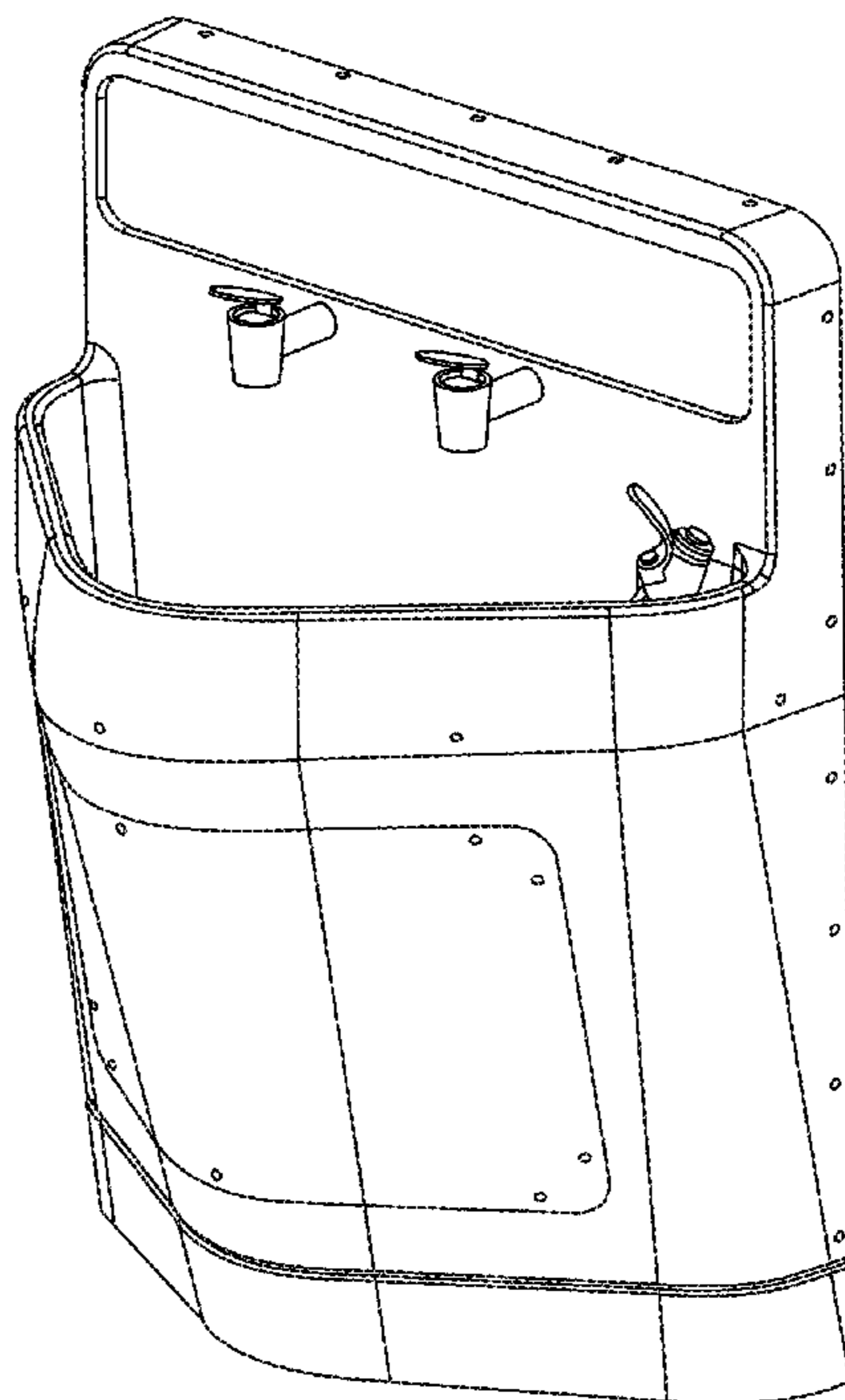
(57) **CLAIM**

The ornamental design for a drinking station, as shown and described.

DESCRIPTION

FIG. 1 is a perspective view of a drinking station showing our new design;
FIG. 2 is a right view thereof;
FIG. 3 is a left view thereof;
FIG. 4 is a back view thereof;
FIG. 5 is a front view thereof;
FIG. 6 is a top view thereof; and,
FIG. 7 is a bottom view thereof.
The broken lines in the drawing depict portions of the drinking station that form no part of the claimed design.

1 Claim, 6 Drawing Sheets



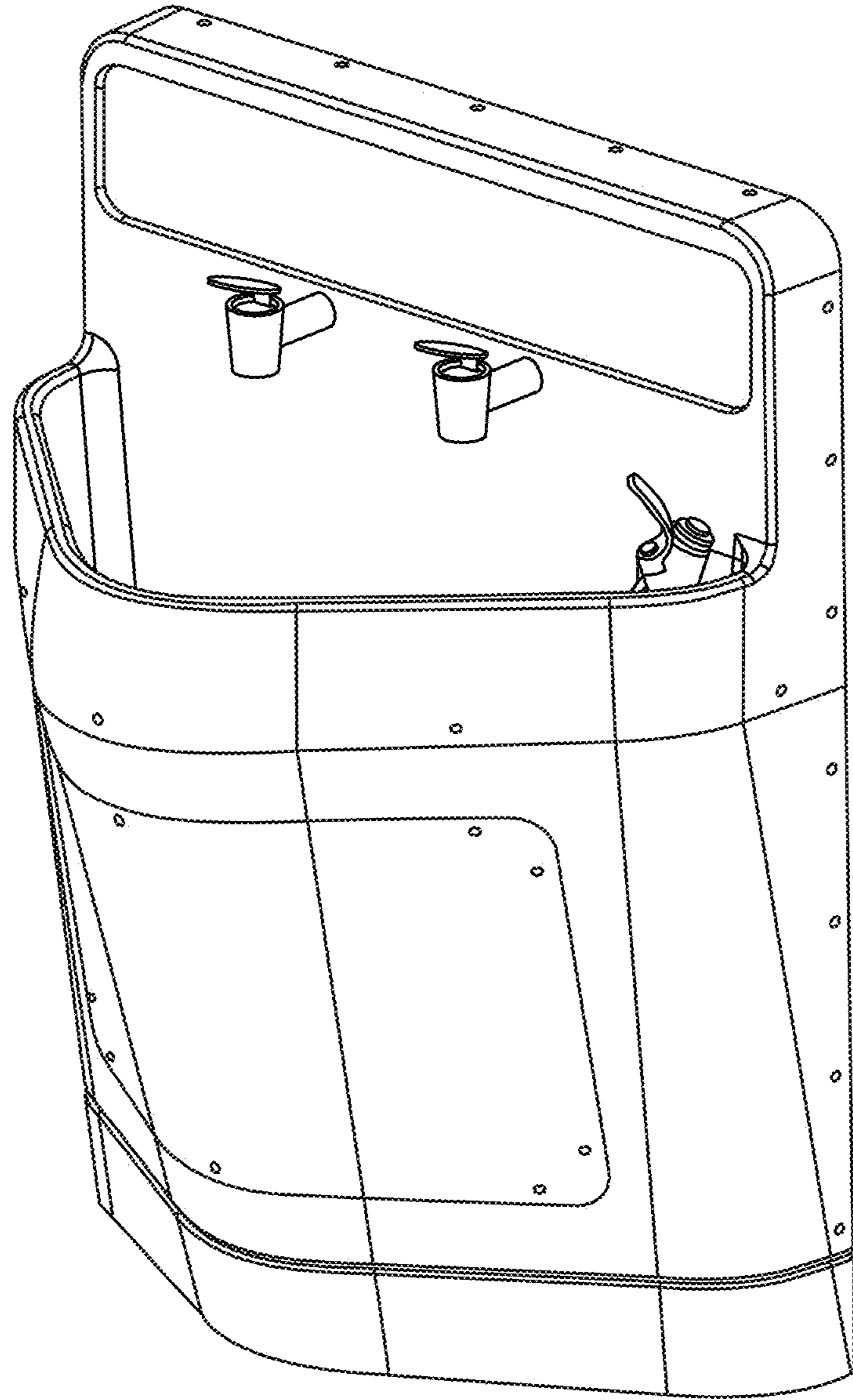


FIG. 1

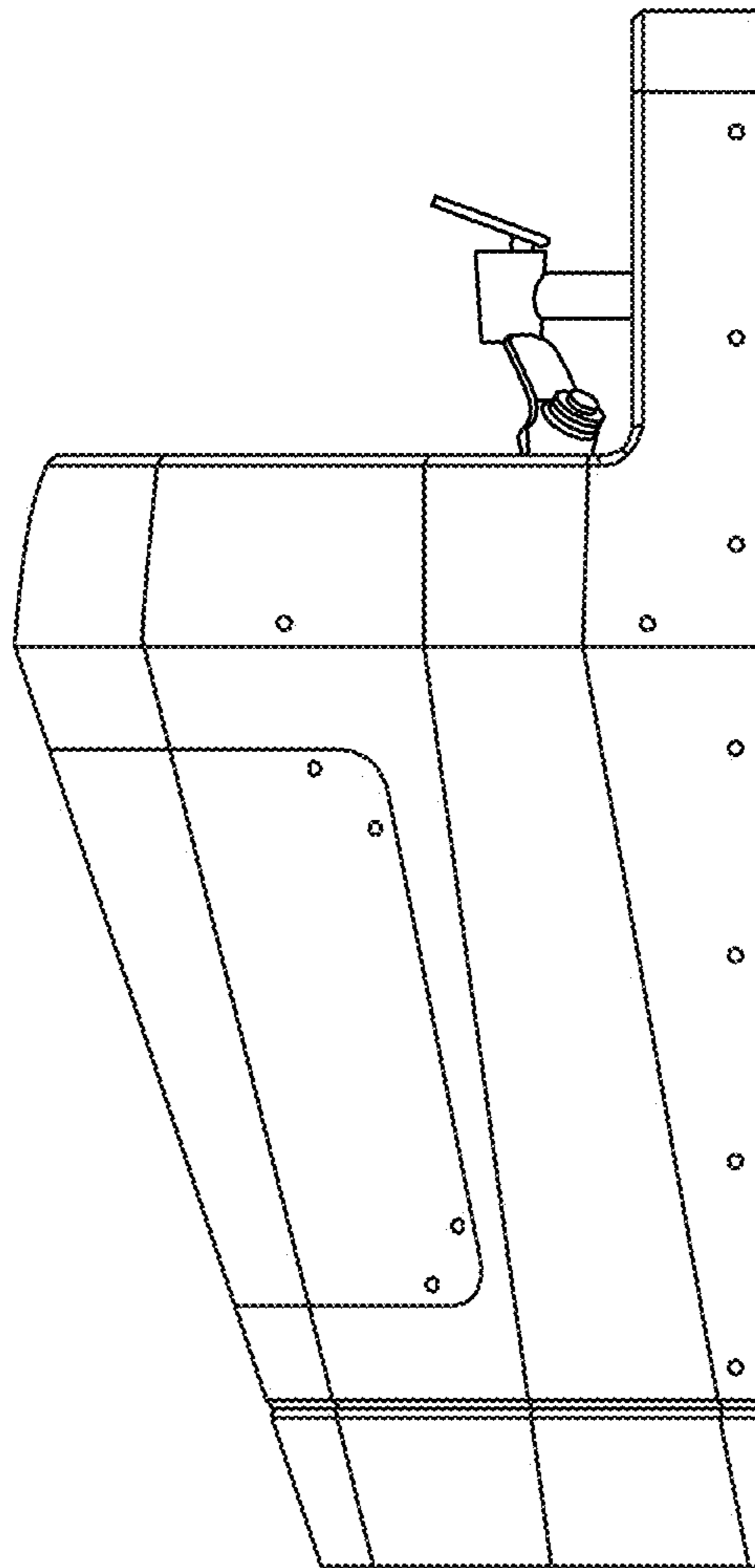


FIG. 2

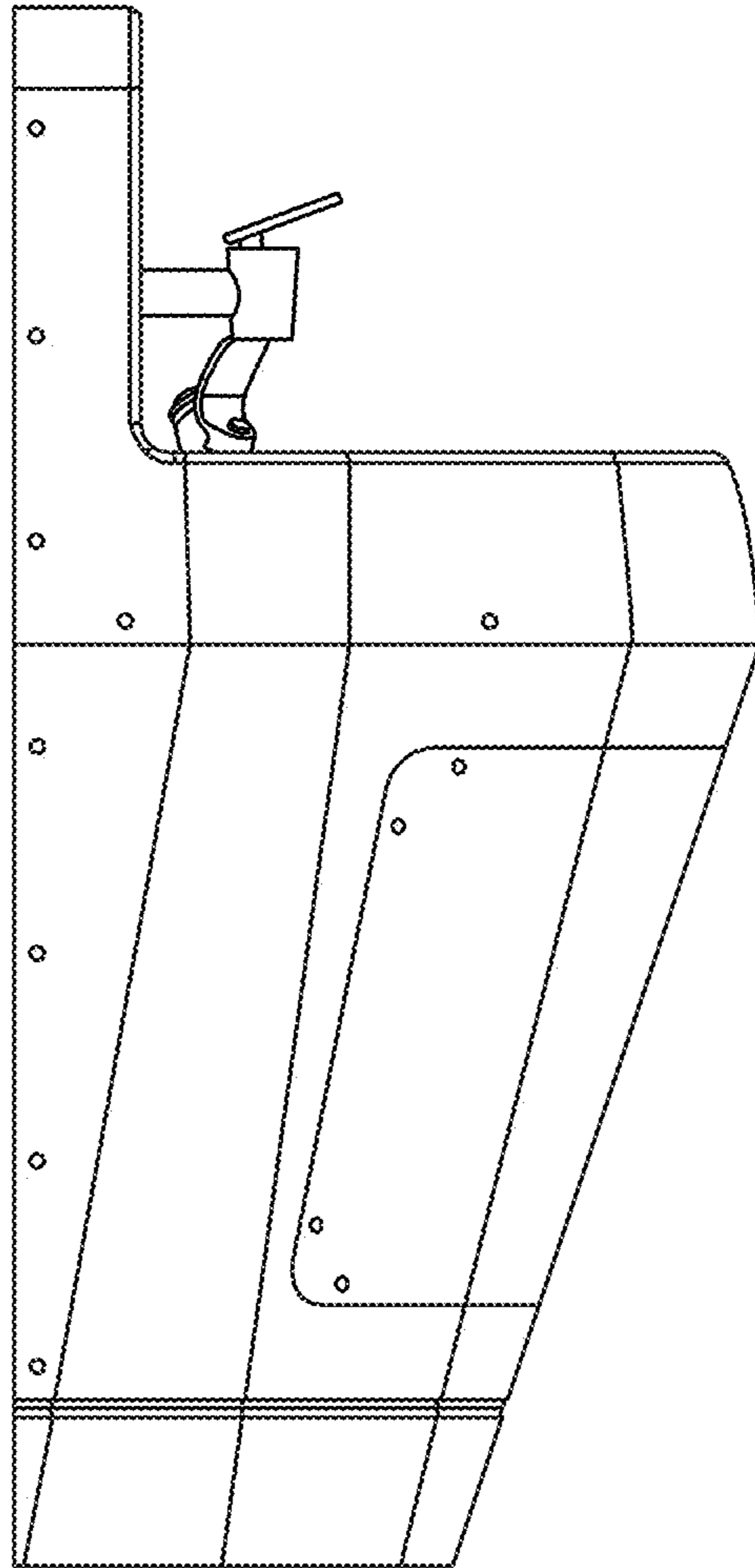


FIG. 3

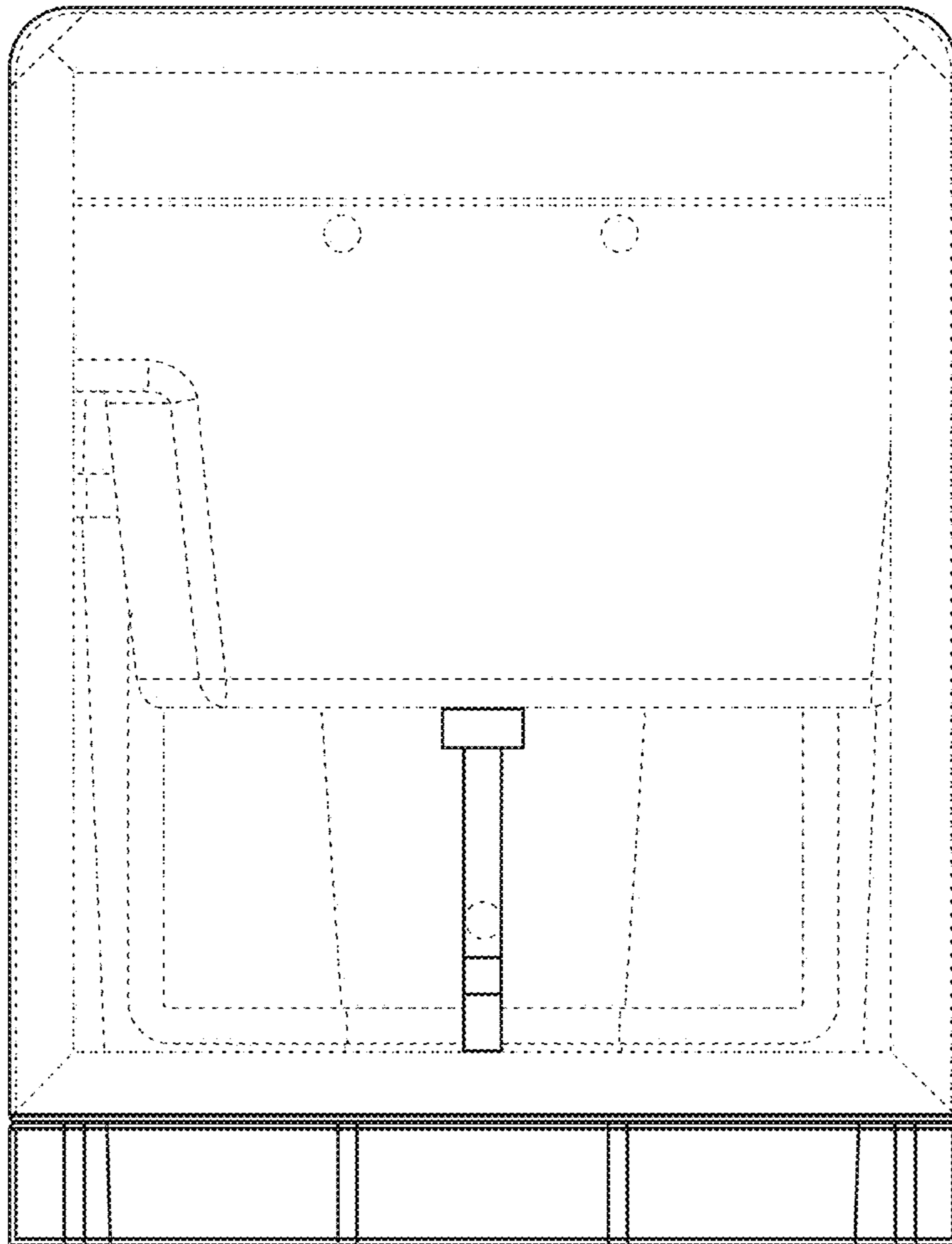


FIG. 4

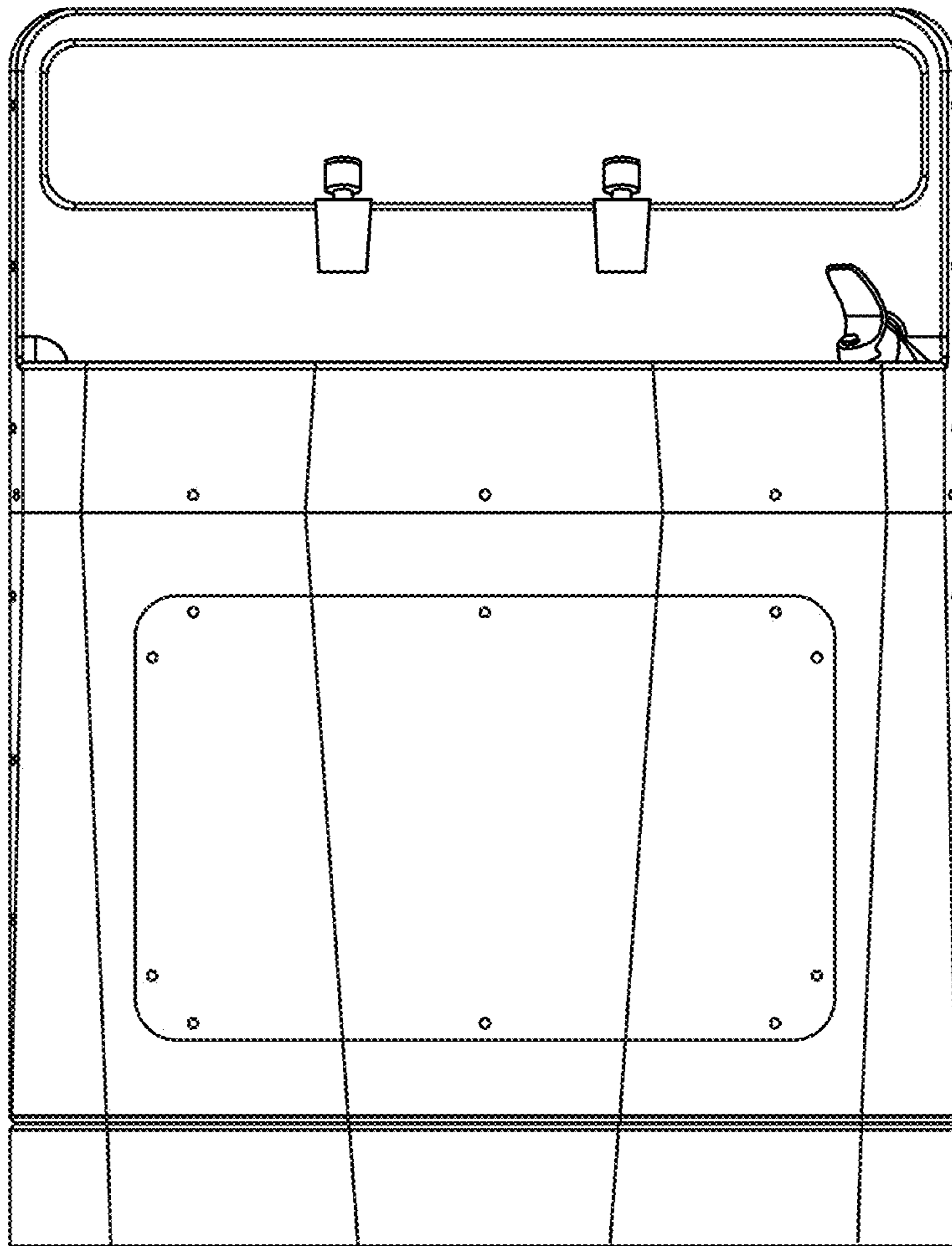


FIG. 5

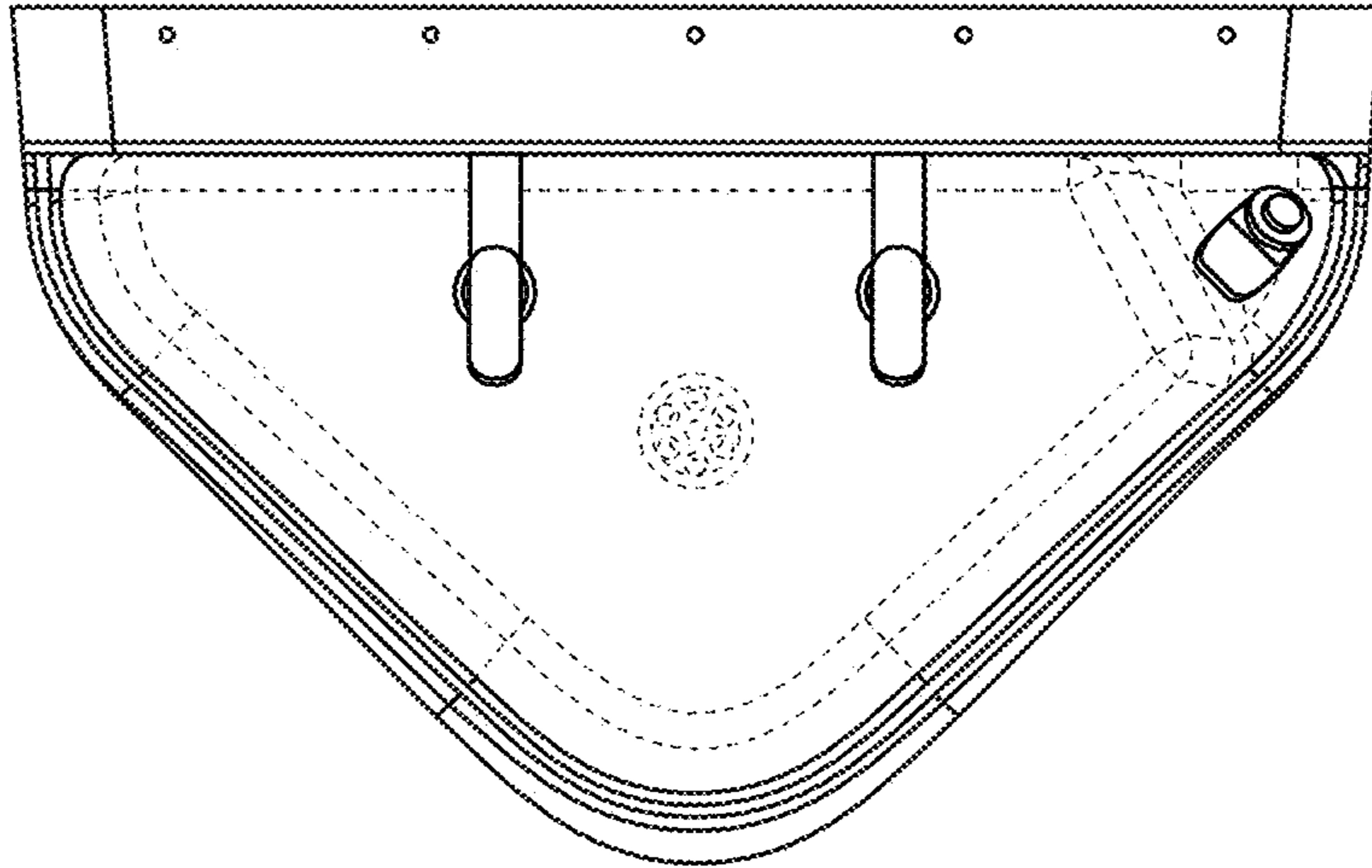


FIG. 6

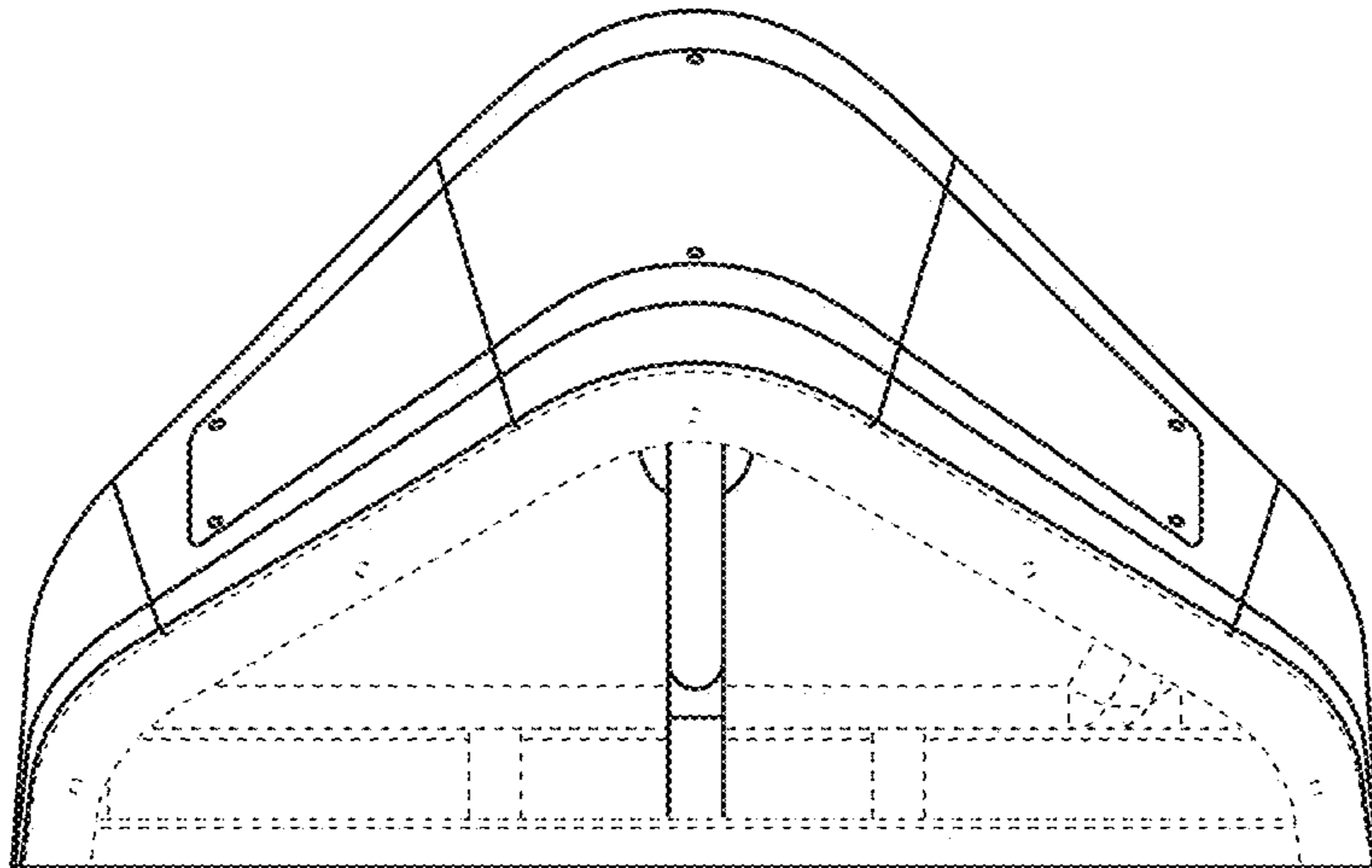


FIG. 7