



US00D876864S

(12) **United States Design Patent**
He

(10) **Patent No.:** **US D876,864 S**

(45) **Date of Patent:** **** Mar. 3, 2020**

(54) **TEA TABLE**

(71) Applicant: **Dongguan Houjie Leyou Metal Products Plant, Dongguan (CN)**

(72) Inventor: **Yan He, Anxiang (CN)**

(73) Assignee: **Dongguan Houjie Leyou Metal Products Plant (CN)**

(**) Term: **15 Years**

(21) Appl. No.: **29/666,985**

(22) Filed: **Oct. 17, 2018**

(51) **LOC (12) Cl.** **06-03**

(52) **U.S. Cl.**
USPC **D6/692.4; D6/692.6**

(58) **Field of Classification Search**
USPC D6/349, 685, 686, 690, 692, 692.1-692.6
CPC A47B 7/00; A47B 13/00; A47B 13/02;
A47B 13/04; A47B 13/06; A47B 13/08;
A47B 17/00; A47B 21/00; A47B
2200/0001; A47B 2200/0011; A47B
2200/002

See application file for complete search history.

(56) **References Cited**

U.S. PATENT DOCUMENTS

D222,624 S * 11/1971 Gianfagna D6/692.6
D258,104 S * 2/1981 Baker D6/692

D351,300 S * 10/1994 Cox D6/692.4
D723,846 S * 3/2015 Healy D6/692.4
D747,904 S * 1/2016 Haynes D6/692
D839,645 S * 2/2019 Itou D6/692
D845,047 S * 4/2019 Neri D6/692.6
D851,971 S * 6/2019 Axelsson D6/692.4

* cited by examiner

Primary Examiner — Mary Ann Calabrese

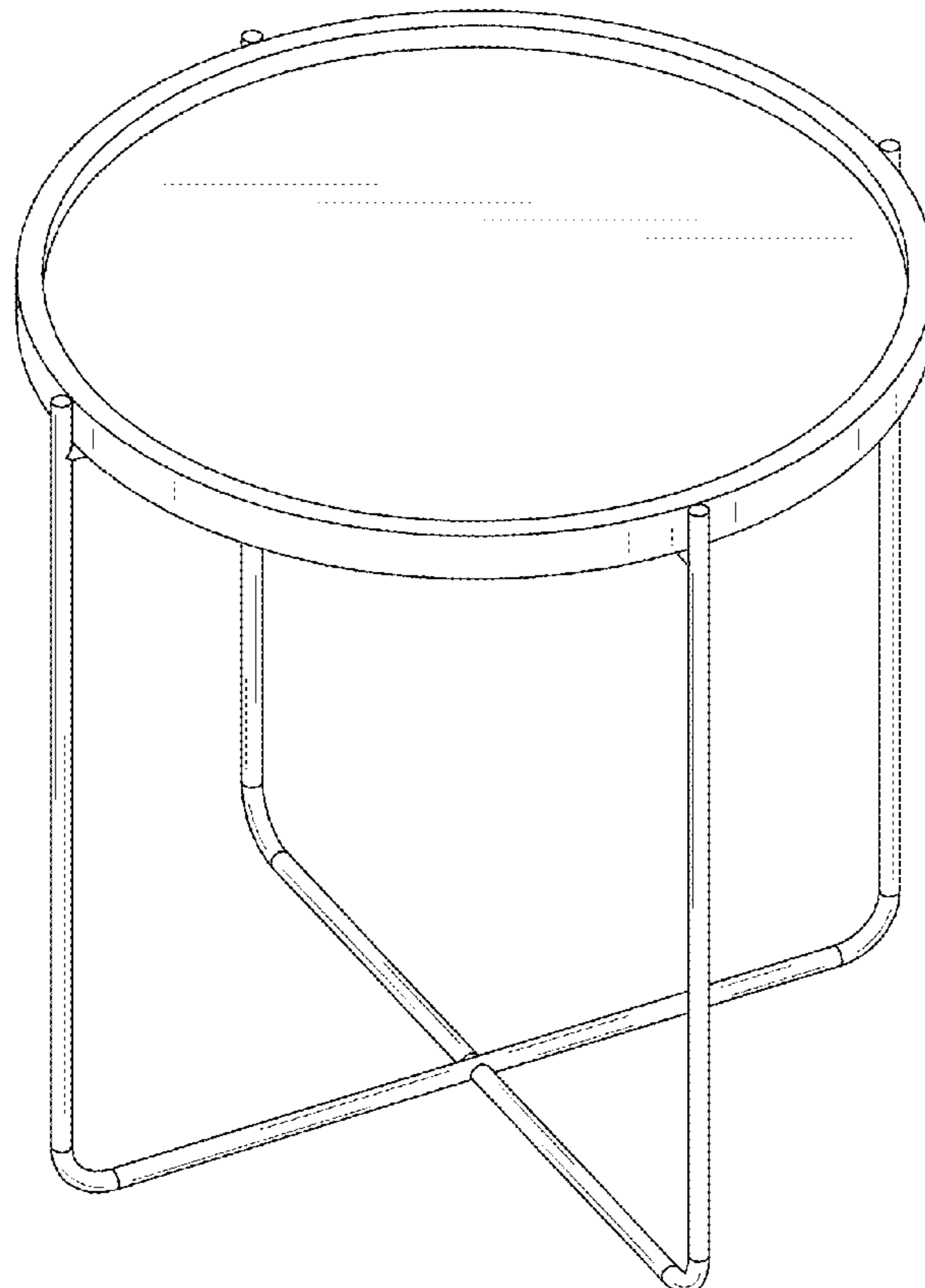
(57) **CLAIM**

The ornamental design for a tea table, as shown and described.

DESCRIPTION

FIG. 1 is a front view of a tea table showing our new design;
FIG. 2 is a back view thereof;
FIG. 3 is a left side view thereof;
FIG. 4 is a right side view thereof;
FIG. 5 is a top view thereof;
FIG. 6 is a bottom view thereof;
FIG. 7 is a top perspective view thereof; and,
FIG. 8 is another perspective view thereof.

1 Claim, 8 Drawing Sheets



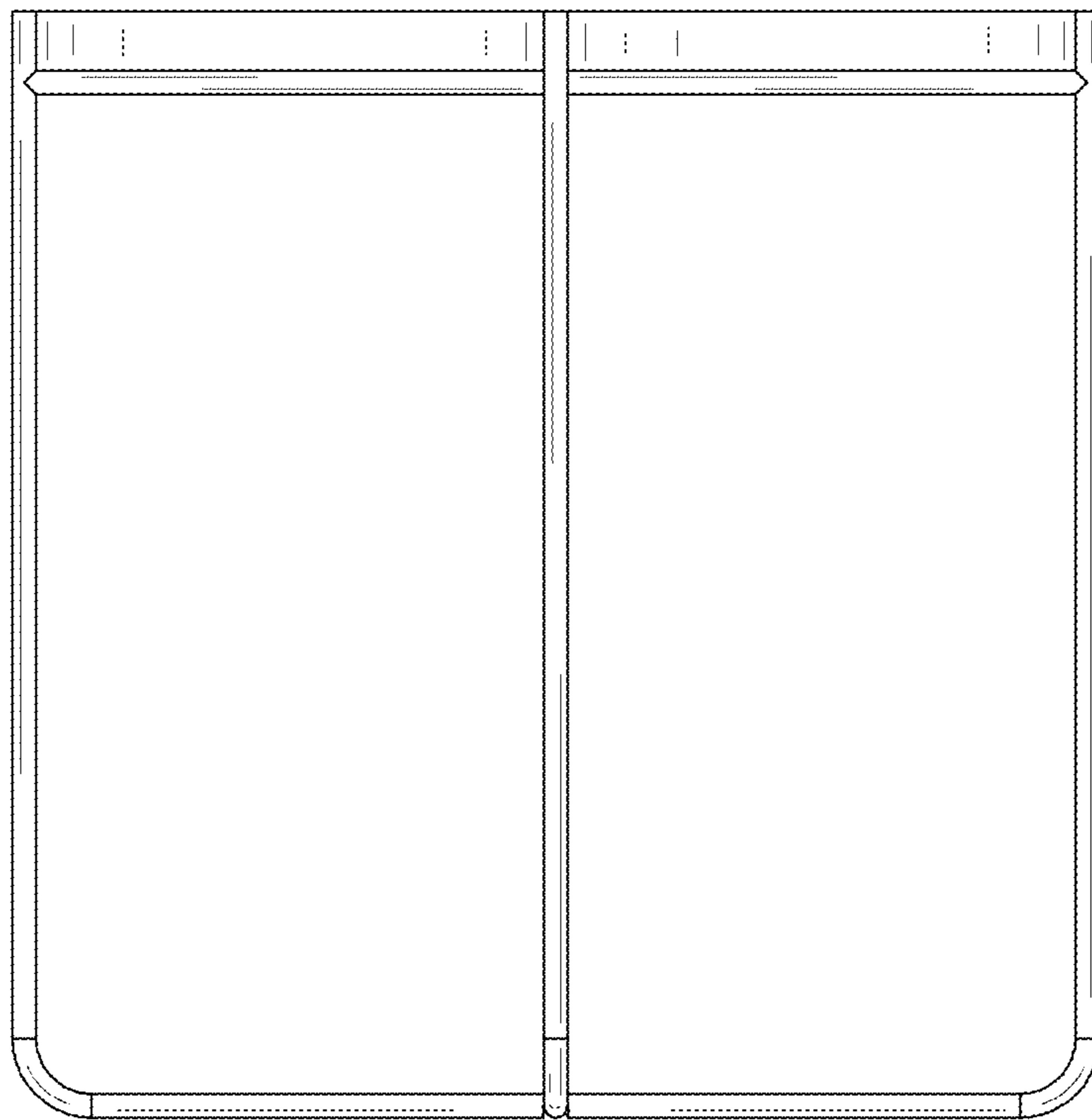


FIG.1

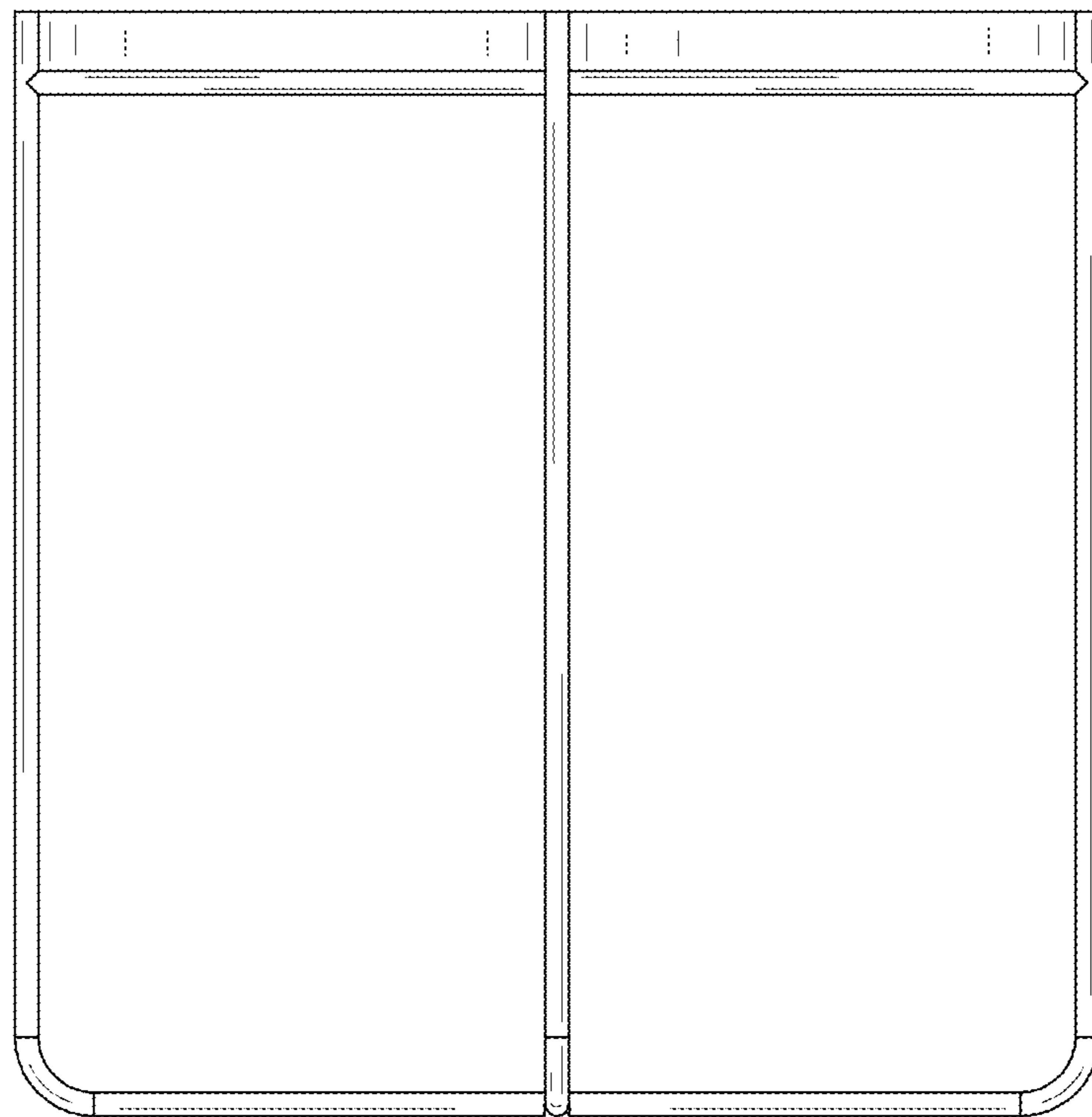


FIG.2

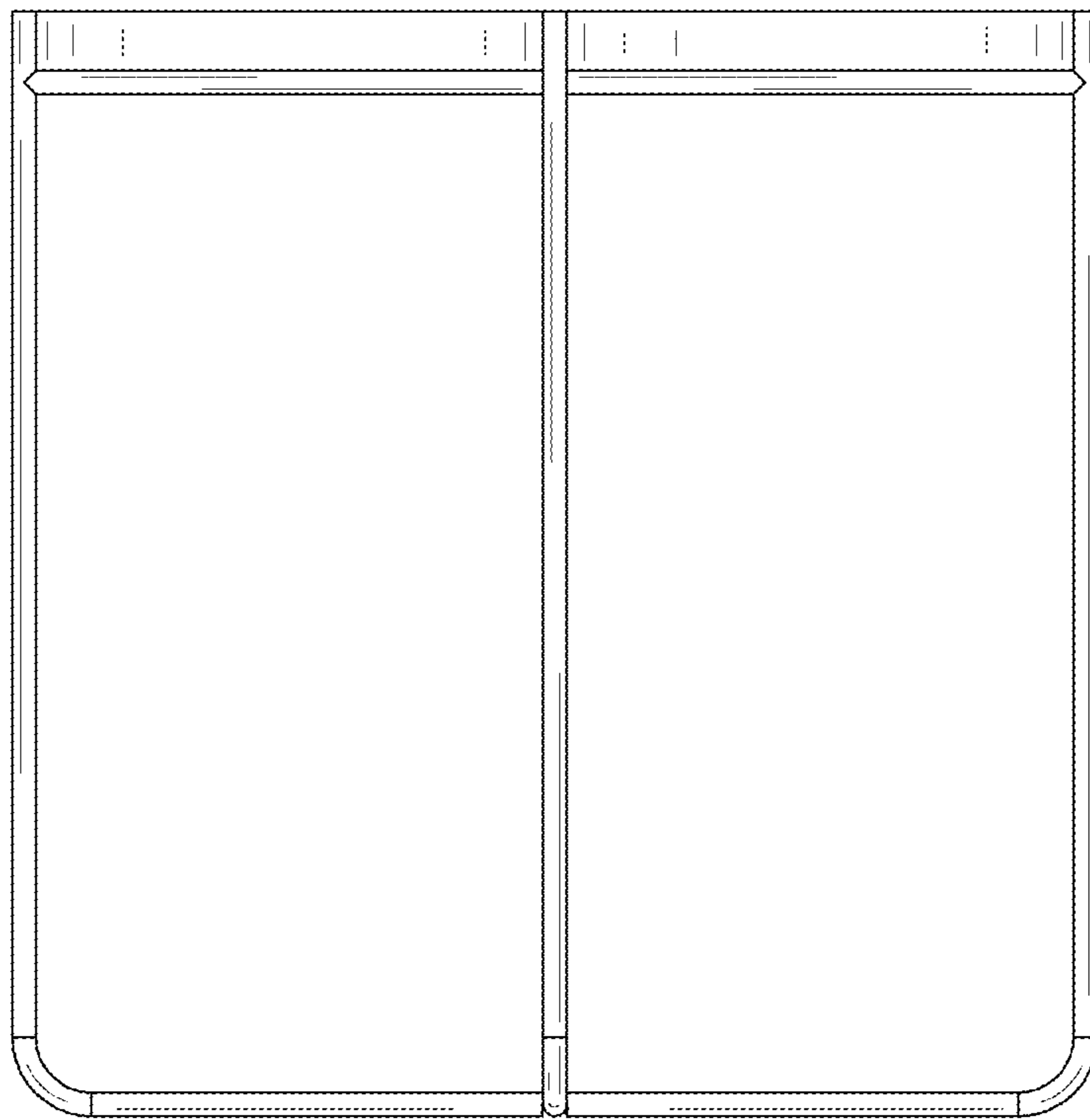


FIG3

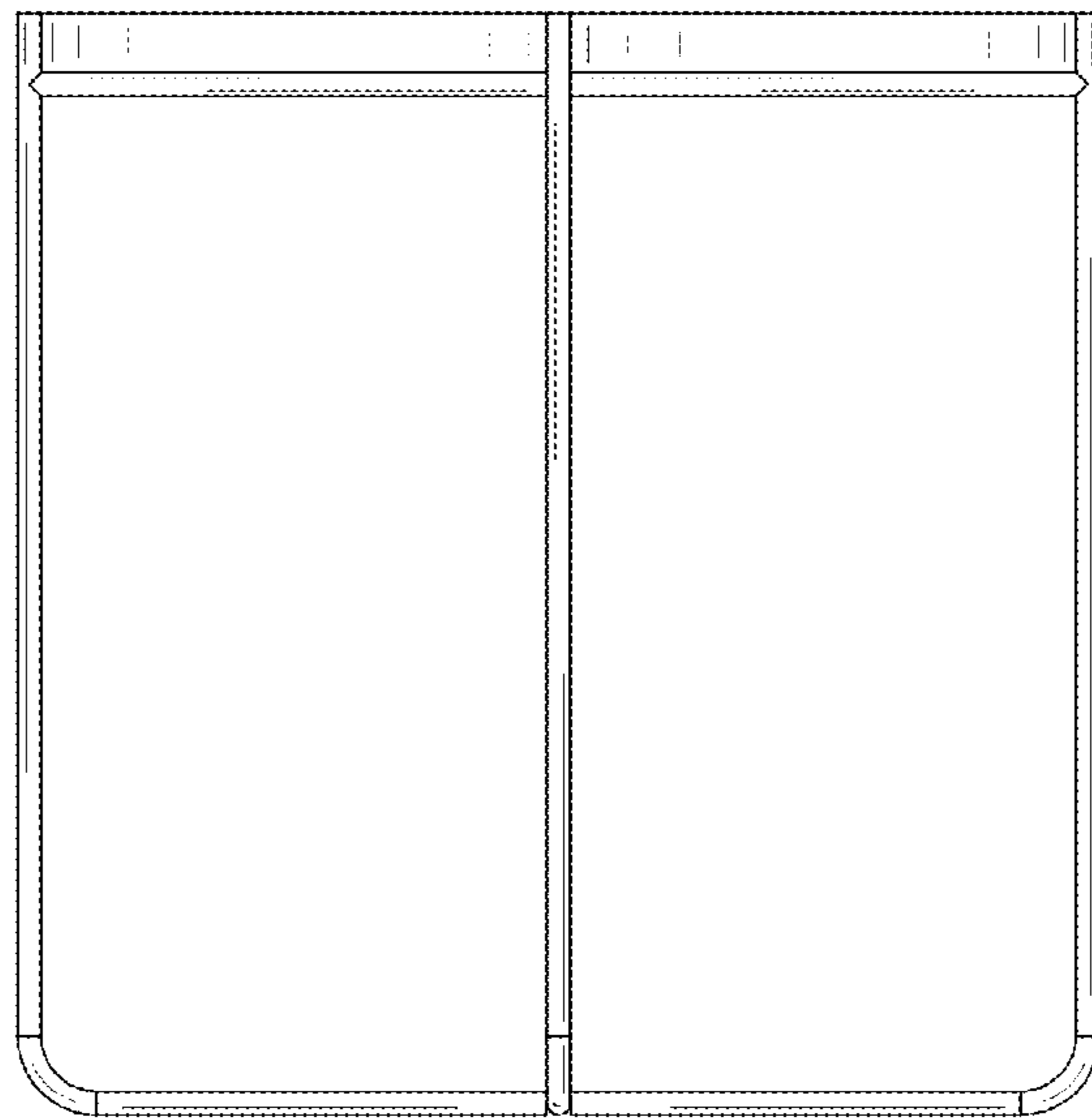


FIG.4

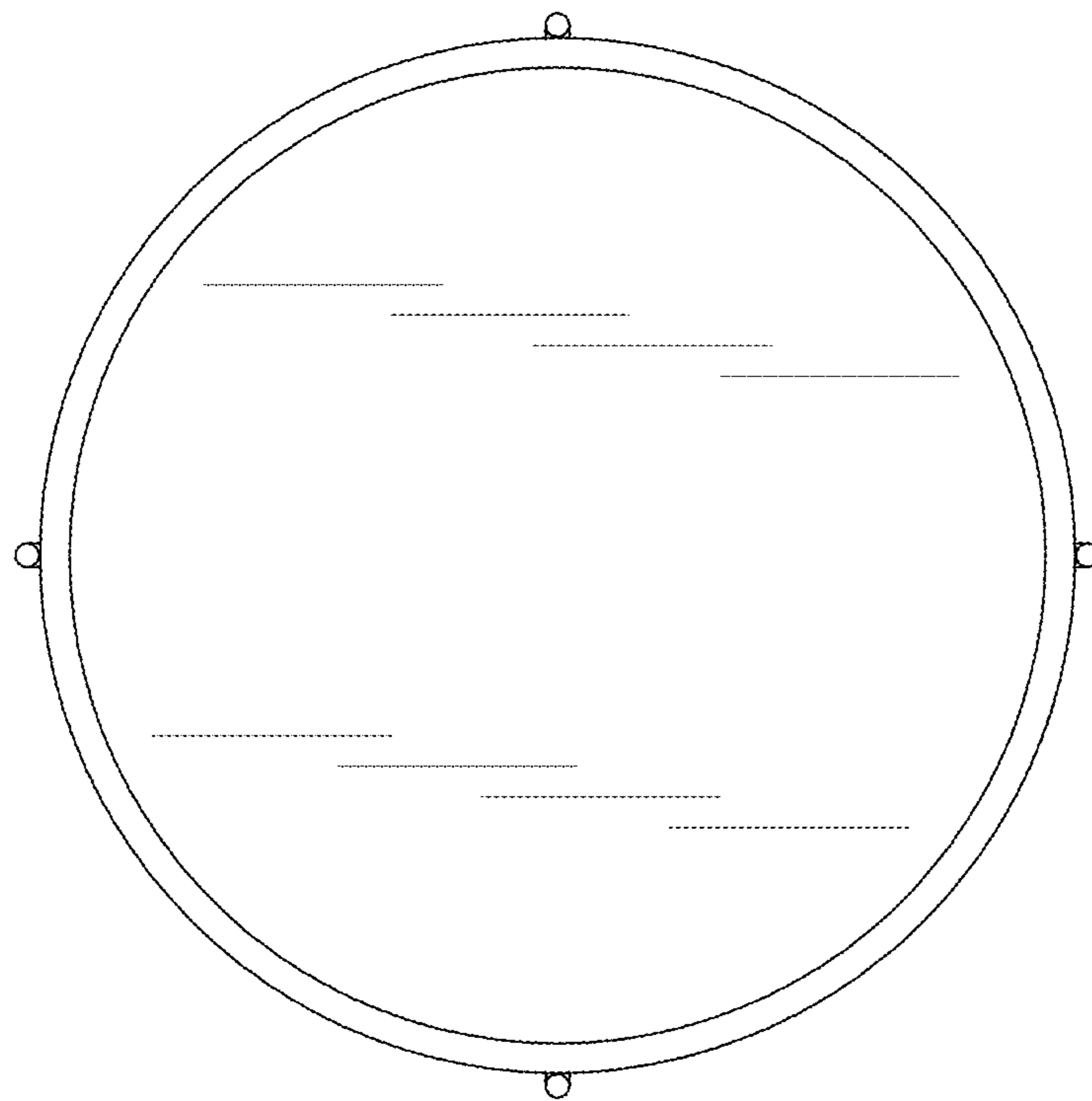


FIG.5

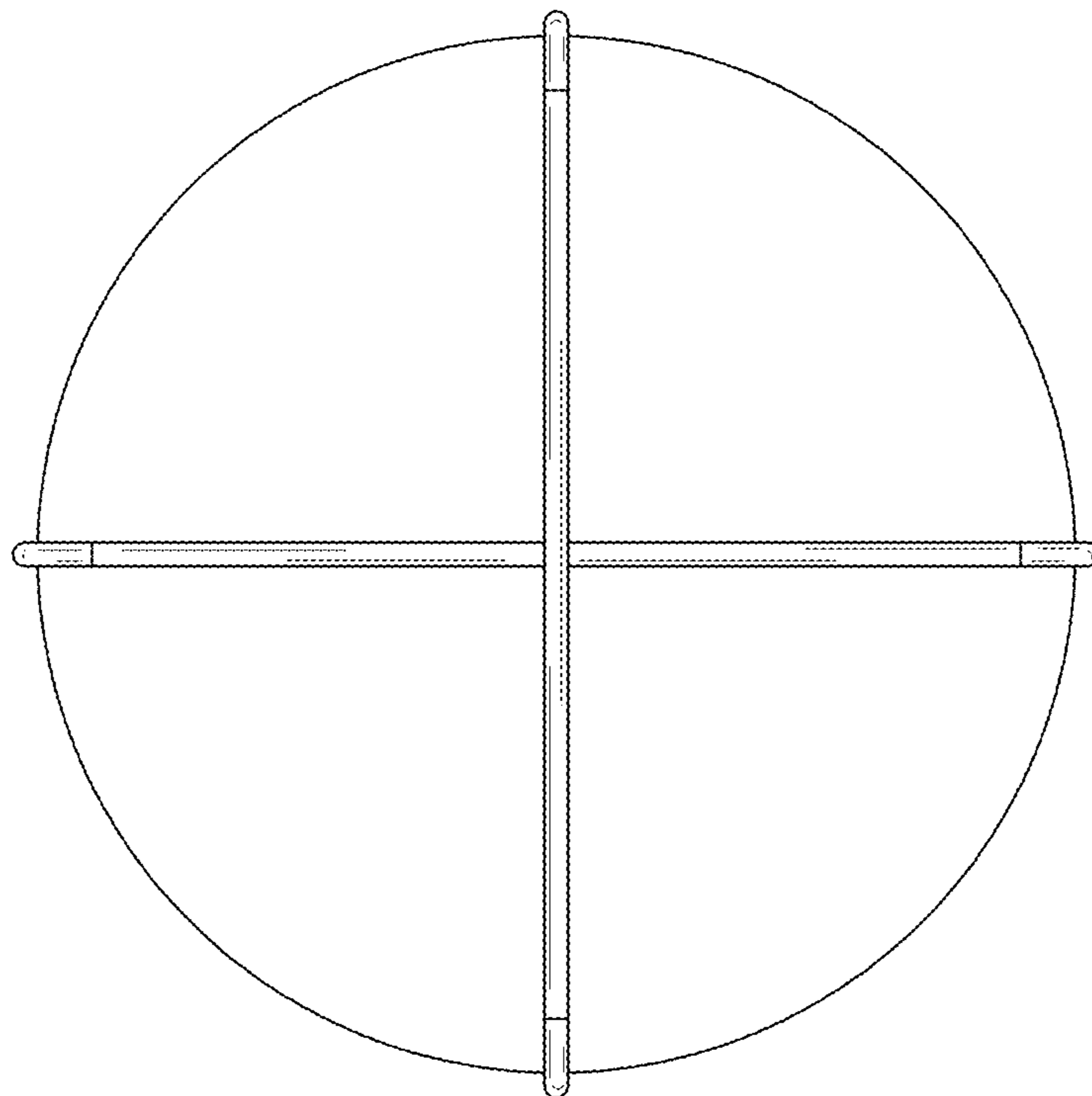


FIG.6

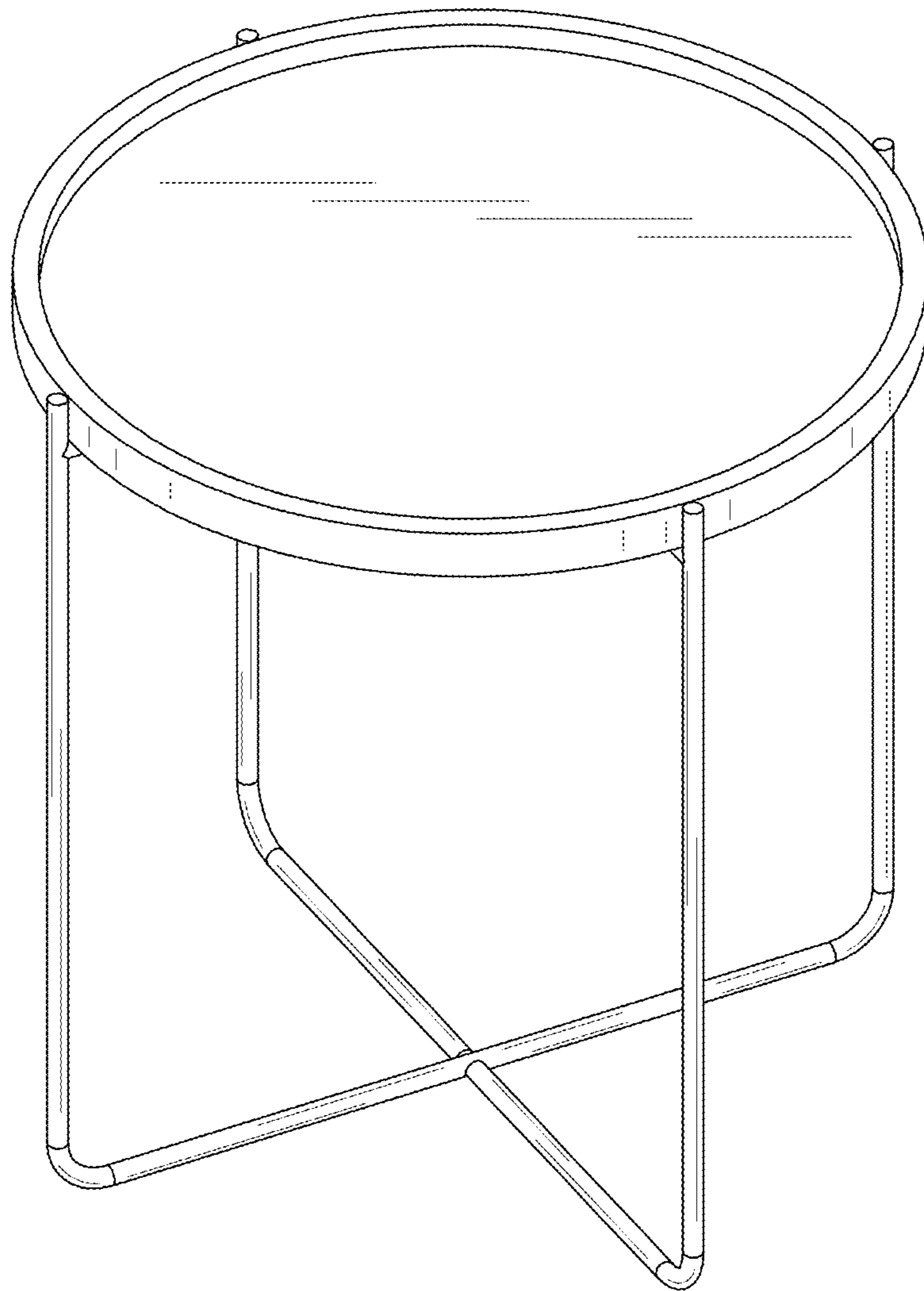


FIG. 7

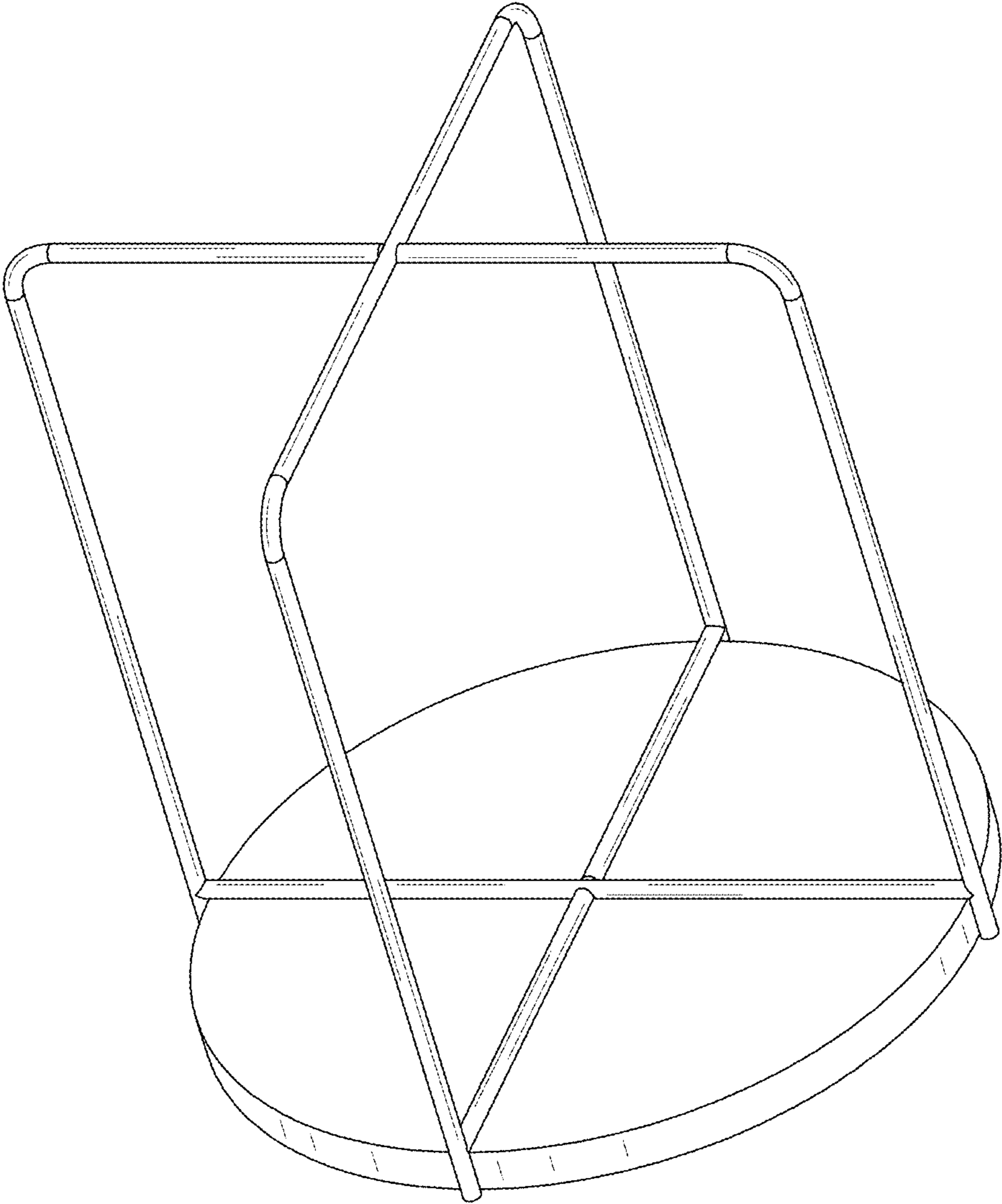


FIG.8