



US00D876861S

(12) **United States Design Patent**  
**Pei**

(10) **Patent No.:** **US D876,861 S**  
(45) **Date of Patent:** **\*\* Mar. 3, 2020**

- (54) **LIFTING DESK**
- (71) Applicant: **Xu Bo Pei**, Shenzhen (CN)
- (72) Inventor: **Xu Bo Pei**, Shenzhen (CN)
- (\*\*) Term: **15 Years**
- (21) Appl. No.: **29/639,506**
- (22) Filed: **Mar. 7, 2018**
- (30) **Foreign Application Priority Data**  
Jan. 27, 2018 (CN) ..... 2018 3 0039783
- (51) **LOC (12) Cl.** ..... **06-03**
- (52) **U.S. Cl.**  
USPC ..... **D6/656.17**
- (58) **Field of Classification Search**  
USPC ..... D6/641, 642, 643, 648, 648.1, 650,  
D6/650.1, 655, 655.1, 655.14, 656, 656.1,  
D6/656.11, 656.12, 656.13, 656.14,  
D6/656.15, 656.16, 656.17, 656.18,  
D6/656.19, 675, 686, 688.14, 688.15,  
D6/691, 691.5, 691.6, 691.7, 697  
CPC .... A47B 9/00; A47B 9/02; A47B 9/04; A47B  
9/12; A47B 2200/0035; A47B 2200/005;  
A47B 2200/0056  
See application file for complete search history.

- (56) **References Cited**  
U.S. PATENT DOCUMENTS  
D180,283 S \* 5/1957 Hoven ..... D6/691.5  
D235,834 S \* 7/1975 Payne ..... D6/691.5

- 4,714,025 A \* 12/1987 Wallin ..... A47B 9/00  
108/147
  - 6,810,820 B1 \* 11/2004 Okerlund ..... A47B 9/06  
108/137
  - 8,291,833 B2 \* 10/2012 Skiba ..... A47B 13/00  
108/50.01
  - D732,317 S \* 6/2015 Chang ..... D6/656.17
  - D794,982 S \* 8/2017 Palma ..... D6/656.17
  - D817,036 S \* 5/2018 Palma ..... D6/656.17
  - D847,541 S \* 5/2019 Yamamoto ..... D6/656
  - 2011/0247530 A1 \* 10/2011 Coffman ..... A47B 3/0911  
108/116
  - 2017/0000255 A1 \* 1/2017 Herring ..... A47B 9/00
- \* cited by examiner

*Primary Examiner* — Mary Ann Calabrese  
*Assistant Examiner* — Catherine Ho  
 (74) *Attorney, Agent, or Firm* — JCIPRNET

(57) **CLAIM**  
 The ornamental design for a lifting desk, as shown and described.

**DESCRIPTION**  
 FIG. 1 is a perspective view of a lifting desk showing my new design;  
 FIG. 2 is a front view thereof;  
 FIG. 3 is a rear view thereof;  
 FIG. 4 is a left side view thereof;  
 FIG. 5 is a right side view thereof;  
 FIG. 6 is a top view thereof; and,  
 FIG. 7 is a bottom view thereof.

**1 Claim, 7 Drawing Sheets**





FIG. 1

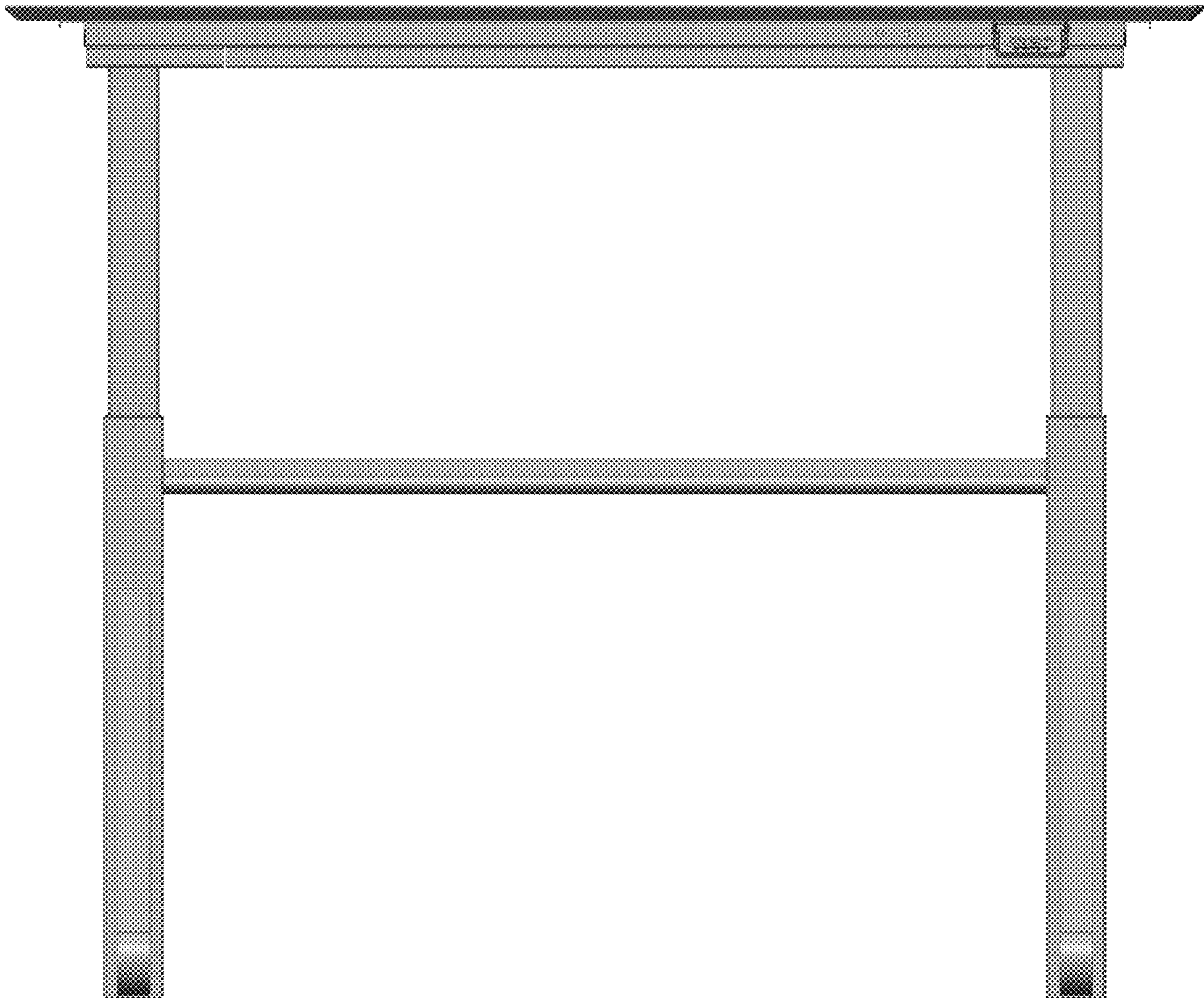


FIG. 2

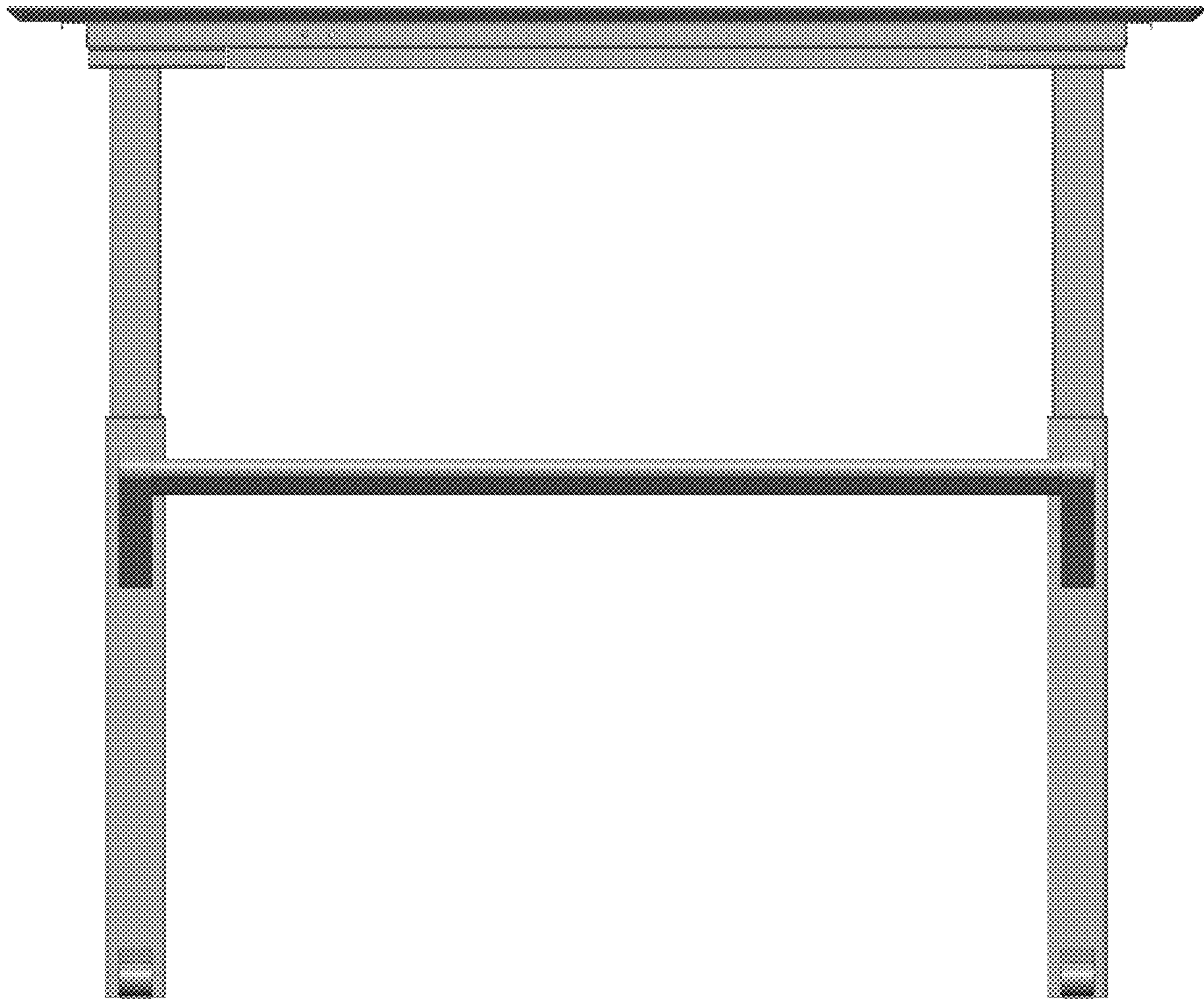


FIG. 3

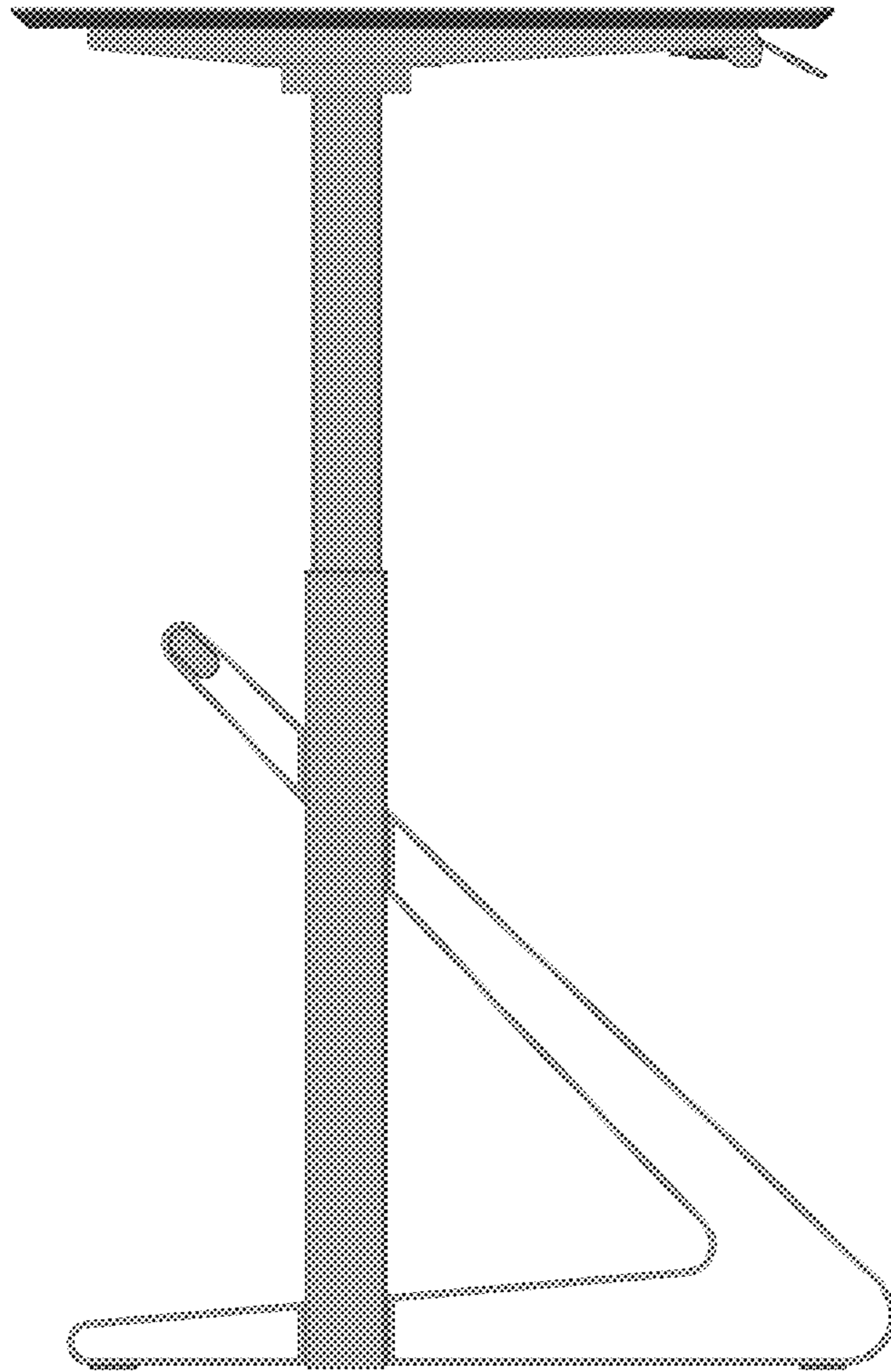


FIG. 4

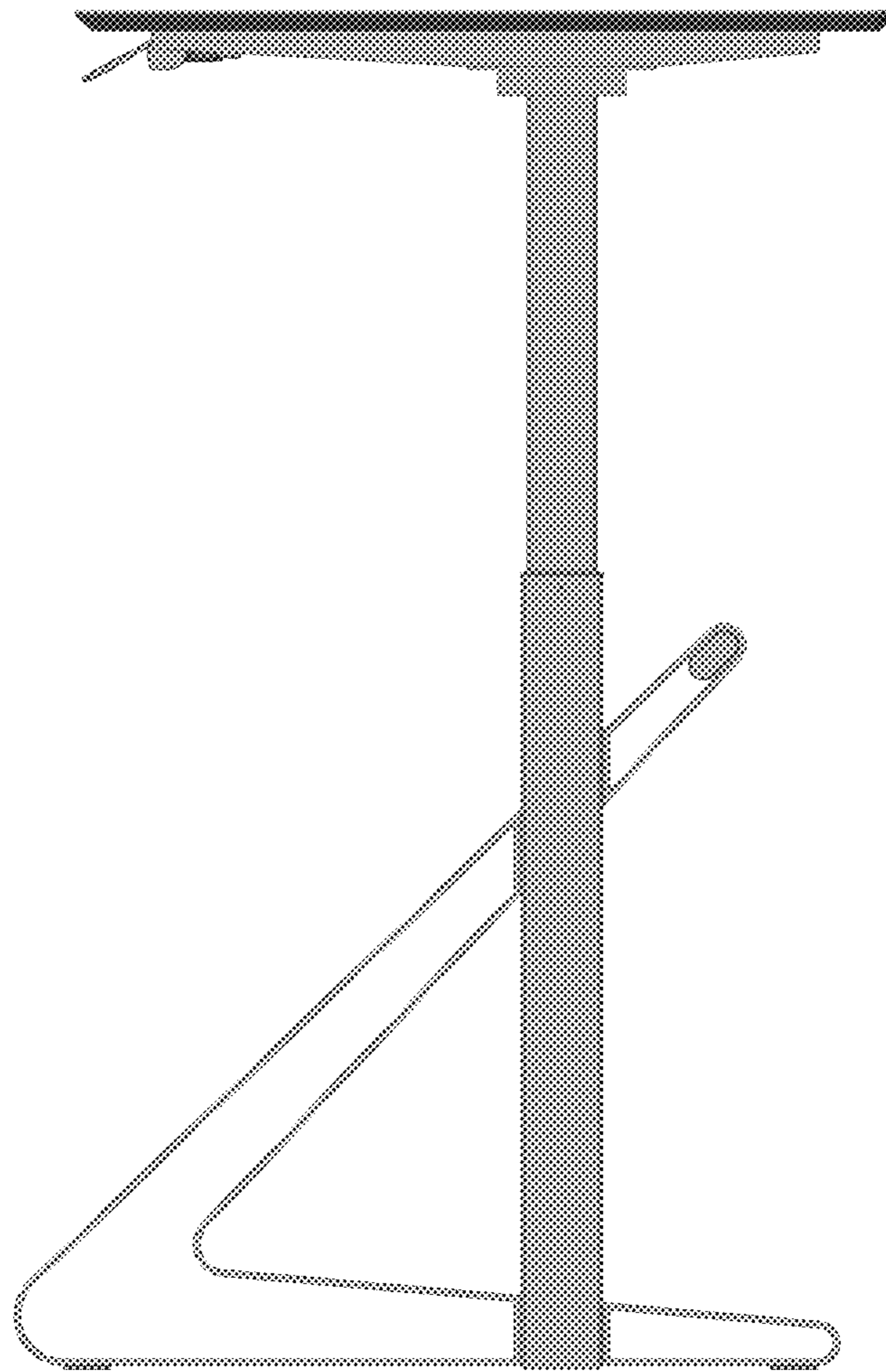


FIG. 5

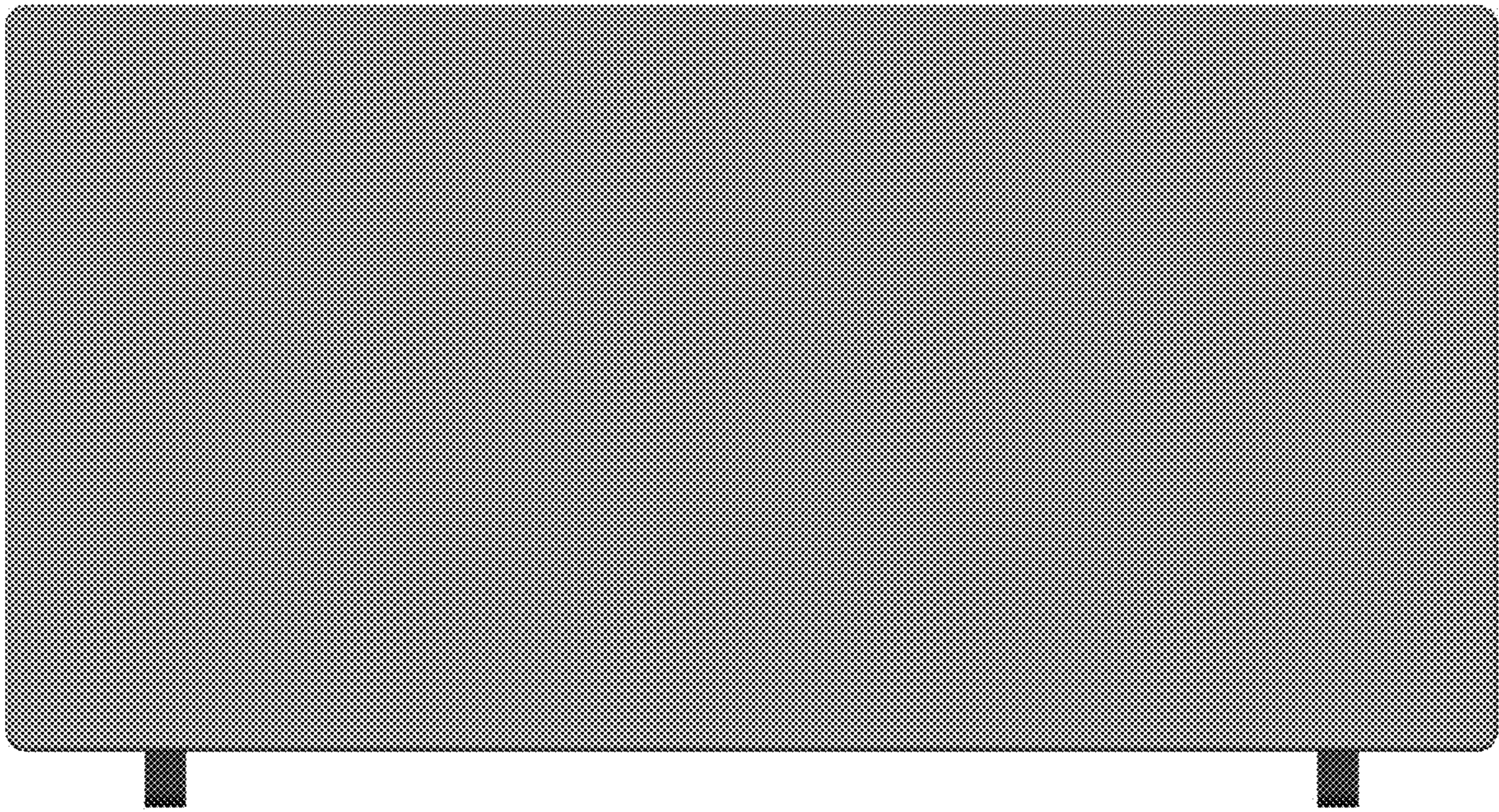


FIG. 6

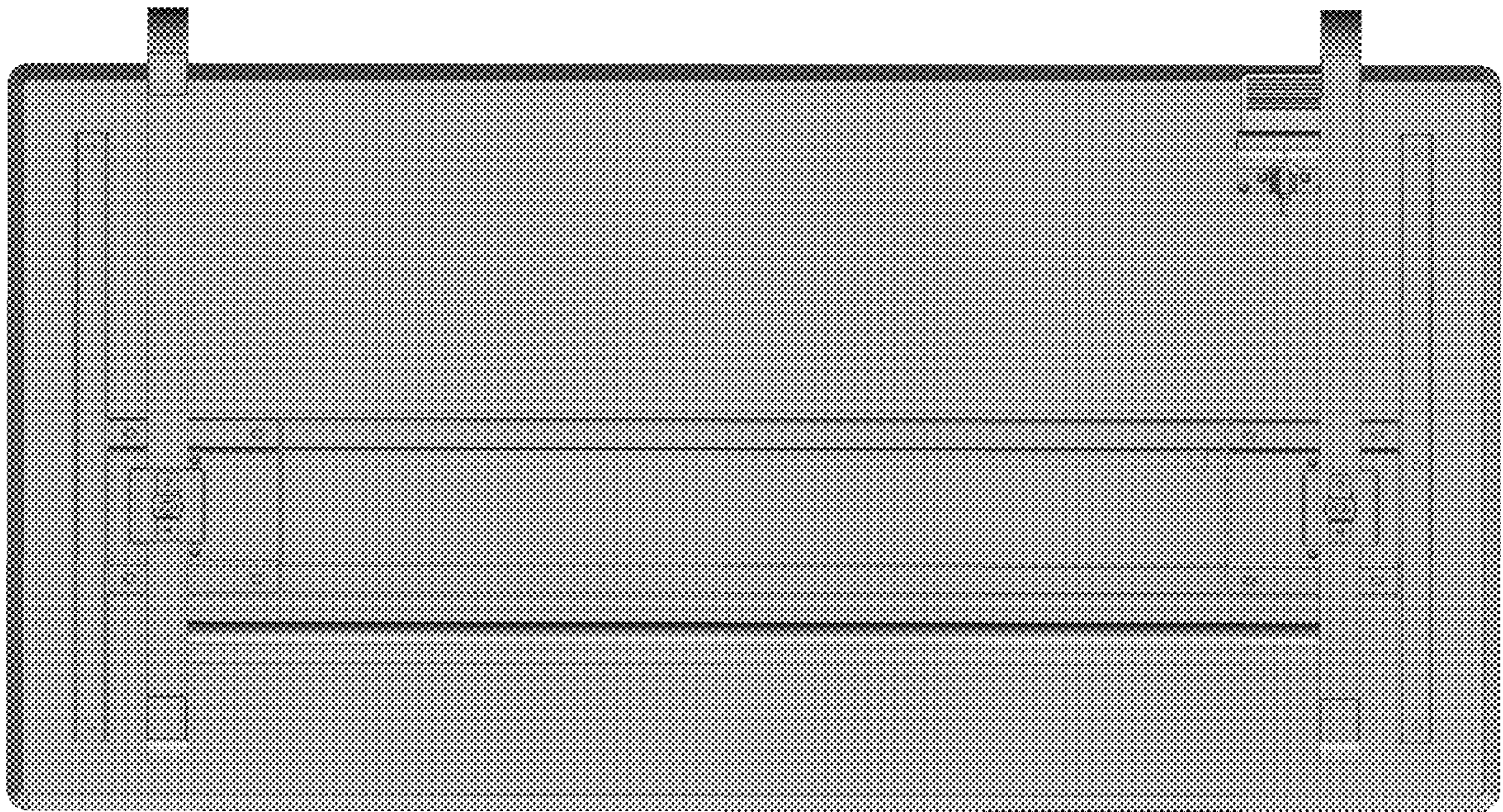


FIG. 7