



US00D876860S

(12) **United States Design Patent** (10) **Patent No.:** **US D876,860 S**  
**Swanson** (45) **Date of Patent:** **\*\* Mar. 3, 2020**

(54) **MEDITATION CUSHION**  
(71) Applicant: **Inner Elevation, LLC**, Andover, MN (US)  
(72) Inventor: **William M. Swanson**, Andover, MN (US)  
(73) Assignee: **INNER ELEVATION, LLC**, Andover, MN (US)

D410,744 S \* 6/1999 Banister ..... D24/183  
D637,030 S \* 5/2011 Khandai ..... D6/601  
D663,149 S \* 7/2012 Cohen ..... D6/601  
D670,873 S \* 11/2012 Seliskar ..... D30/118  
D751,321 S \* 3/2016 Smallman ..... D6/596  
D828,702 S \* 9/2018 Chen ..... D6/601  
D864,612 S \* 10/2019 Castellano ..... D6/601  
2008/0163428 A1 \* 7/2008 Groteke ..... A61F 5/56  
5/638  
2015/0351564 A1 \* 12/2015 Vogel ..... A47G 9/1081  
5/640

(\*\*) Term: **15 Years**

**OTHER PUBLICATIONS**

(21) Appl. No.: **29/622,457**  
(22) Filed: **Oct. 17, 2017**  
(51) **LOC (12) Cl.** ..... **06-09**  
(52) **U.S. Cl.**  
USPC ..... **D6/601**  
(58) **Field of Classification Search**  
USPC ..... D3/213; D6/349, 596, 601, 611;  
D24/183, 190; D30/118, 160  
CPC ..... A47G 2009/1018; A47G 9/10  
See application file for complete search history.

“Lounge Doctor Leg Rest—Medium.” Found online Dec. 3, 2019 at hsn.com. Product reviewed Apr. 28, 2018. Retrieved from URL: <https://www.hsn.com/products/lounge-doctor-leg-rest-medium/8912244> (Year: 2018).\*

(Continued)

*Primary Examiner* — Mary Ann Calabrese  
*Assistant Examiner* — Katelin G Kloberg  
(74) *Attorney, Agent, or Firm* — Z. Peter Sawicki;  
Westman, Champlin & Koehler, P.A.

(56) **References Cited**

(57) **CLAIM**

The ornamental design for a meditation cushion, as shown and described.

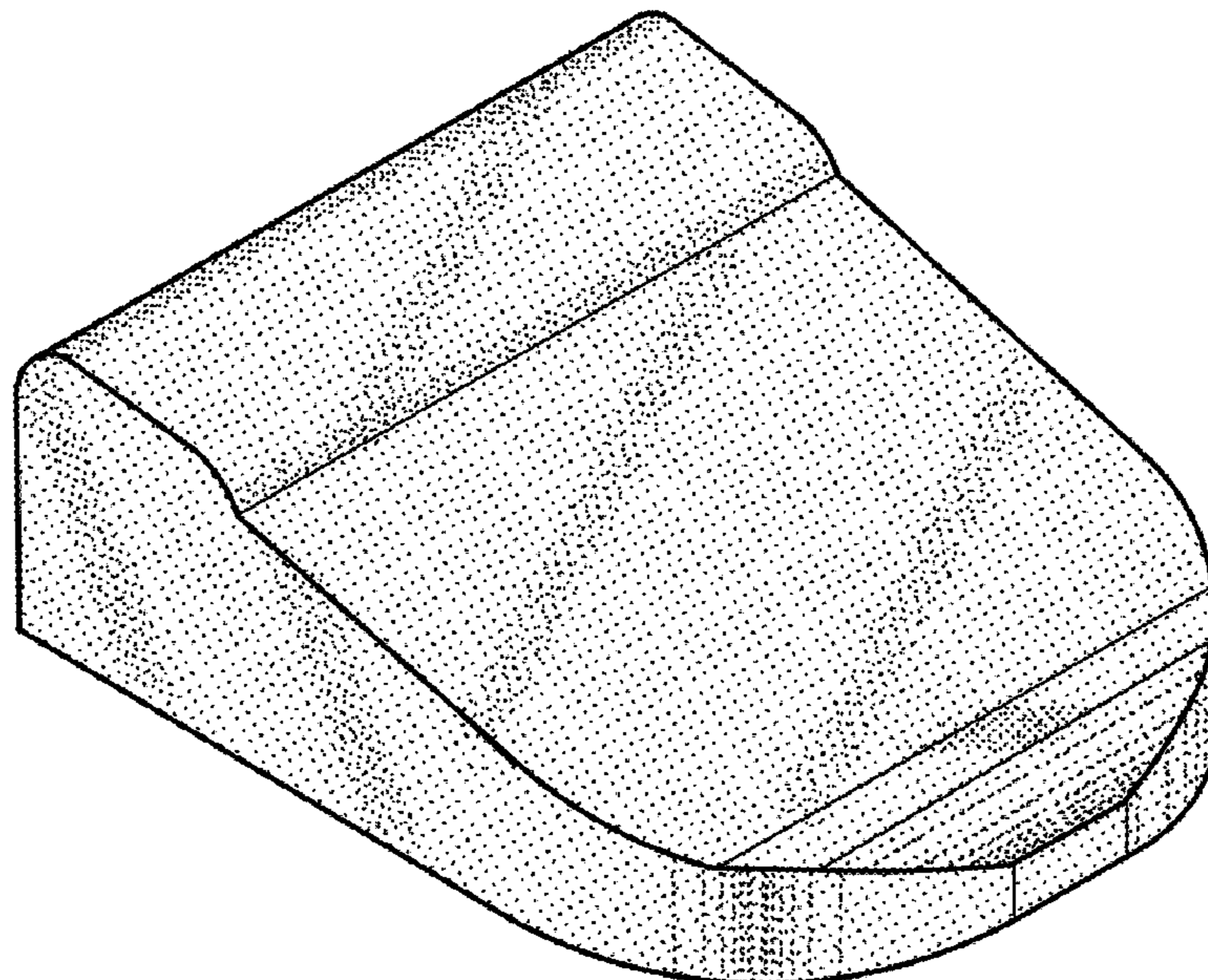
**U.S. PATENT DOCUMENTS**

**DESCRIPTION**

3,648,308 A \* 3/1972 Greenawalt ..... A47G 9/1072  
5/632  
D242,388 S \* 11/1976 Castleberry ..... D24/183  
D276,938 S \* 12/1984 Pedersen ..... 5/636  
D277,316 S \* 1/1985 Meares ..... D24/190  
D295,248 S \* 4/1988 Sommerfield ..... D6/601  
D310,312 S \* 9/1990 Wong ..... D6/596  
D312,372 S \* 11/1990 Rutherford ..... D6/596  
D340,038 S \* 10/1993 Venne ..... D14/420  
D384,850 S \* 10/1997 Fanuzzi ..... D6/596  
D387,599 S \* 12/1997 Ryndak ..... D6/601  
D393,373 S \* 4/1998 Acosta ..... D6/349  
D400,386 S \* 11/1998 Keilhauer ..... D6/601

FIG. 1 is a top perspective view of a meditation cushion, showing my new design;  
FIG. 2 is a front view thereof;  
FIG. 3 is a rear view thereof;  
FIG. 4 is a right side view thereof;  
FIG. 5 is a left side view thereof;  
FIG. 6 is a top view thereof; and,  
FIG. 7 is a bottom view thereof.

**1 Claim, 2 Drawing Sheets**



(56)

**References Cited**

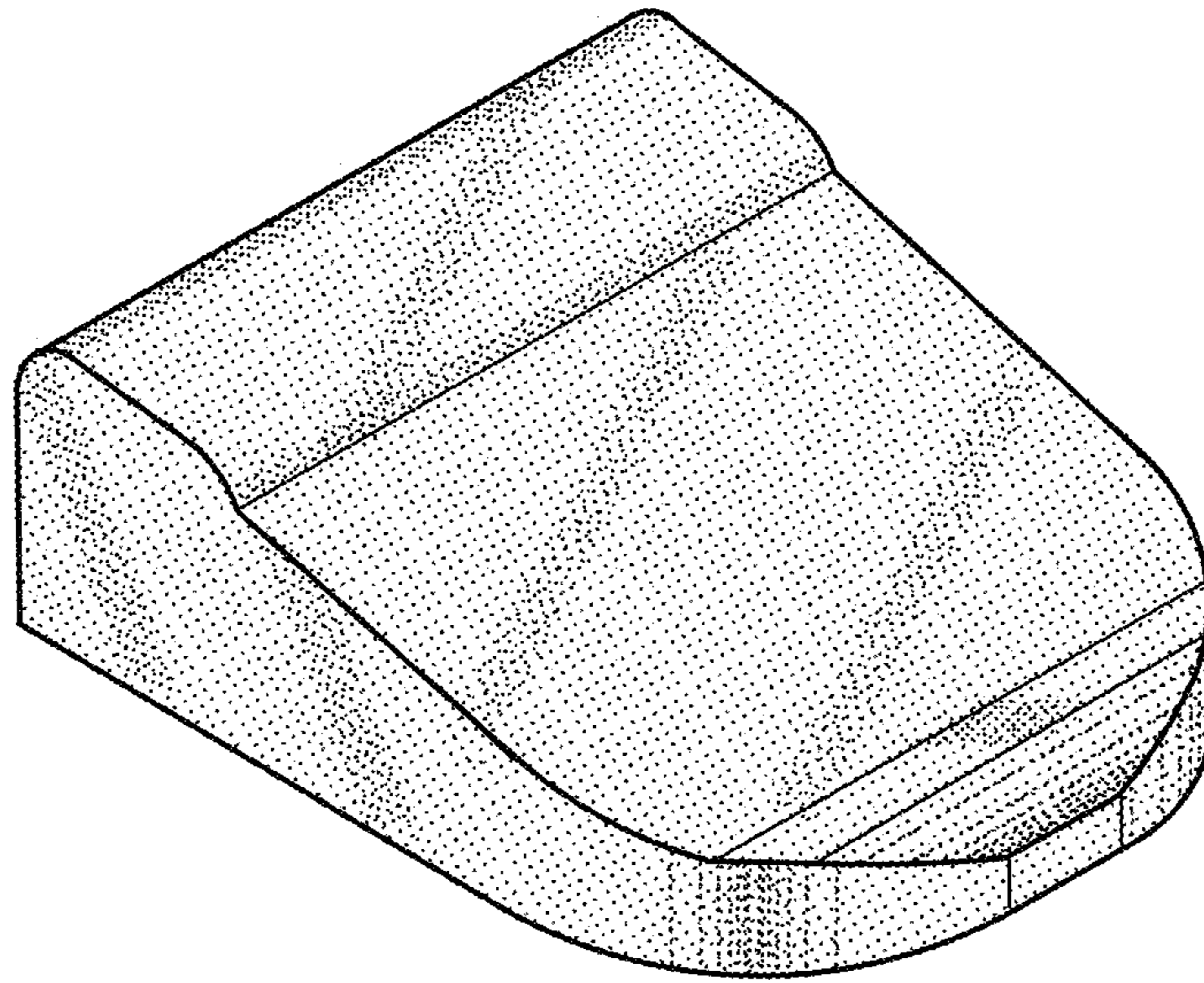
OTHER PUBLICATIONS

“OPTP Performance Wedges.” Found online Dec. 3, 2019 at [www.amazon.com](http://www.amazon.com). Product reviewed Feb. 16, 2018. Retrieved from URL: <https://tinyurl.com/rlpmw4j> (Year: 2018).\*

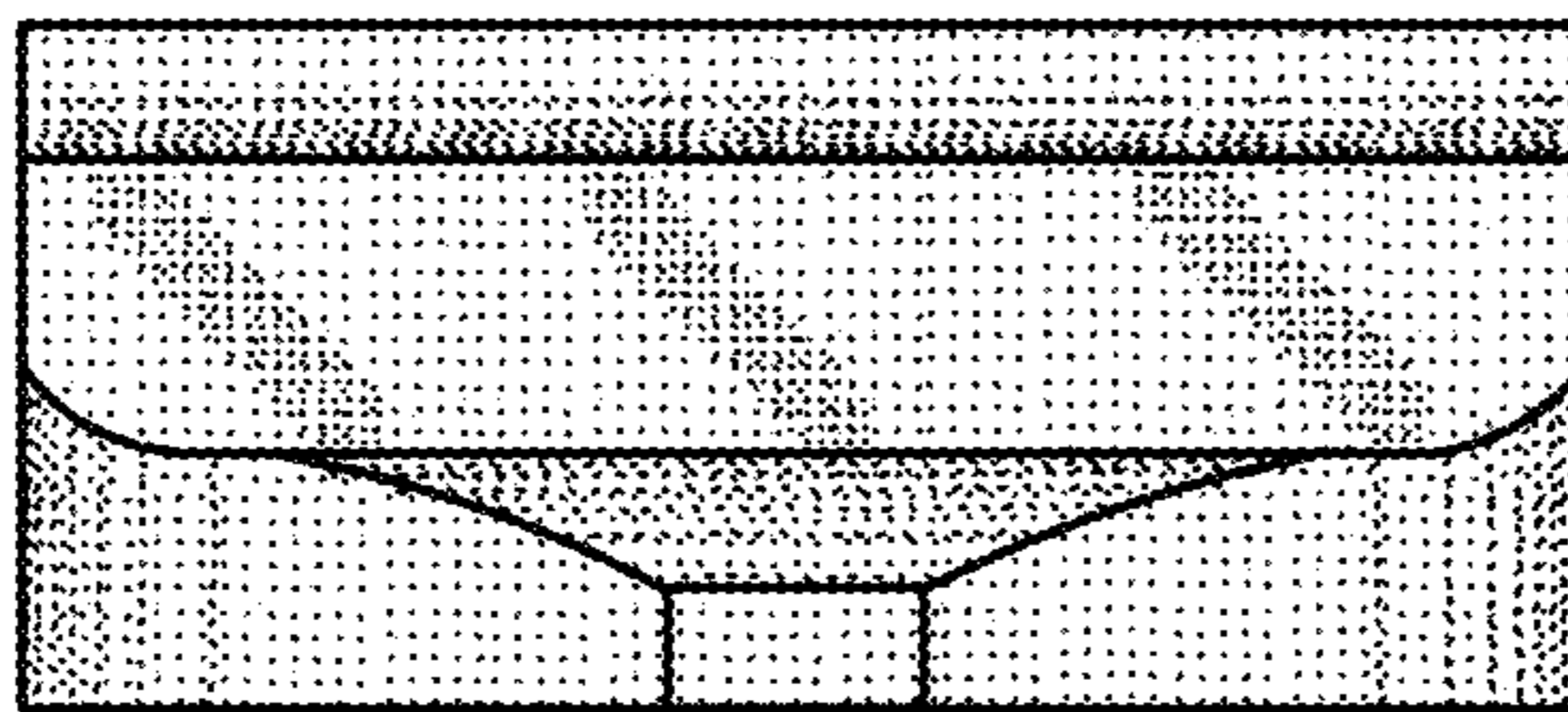
“Core Products PRO-930 Pelvis Sacral Block.” Found online Dec. 3, 2019 at [www.amazon.com](http://www.amazon.com). Product reviewed Dec. 7, 2012. Retrieved from URL: <https://tinyurl.com/whcqhyd> (Year: 2012).\*

“Prop Yourself Up From Pain with One of These Wedge Pillows.” Found online Dec. 3, 2019 at [bestproducts.com](http://bestproducts.com). Page dated Jun. 23, 2019. Retrieved from URL: <https://www.bestproducts.com/home/g28121131/wedge-pillow-reviews/> (Year: 2019).\*

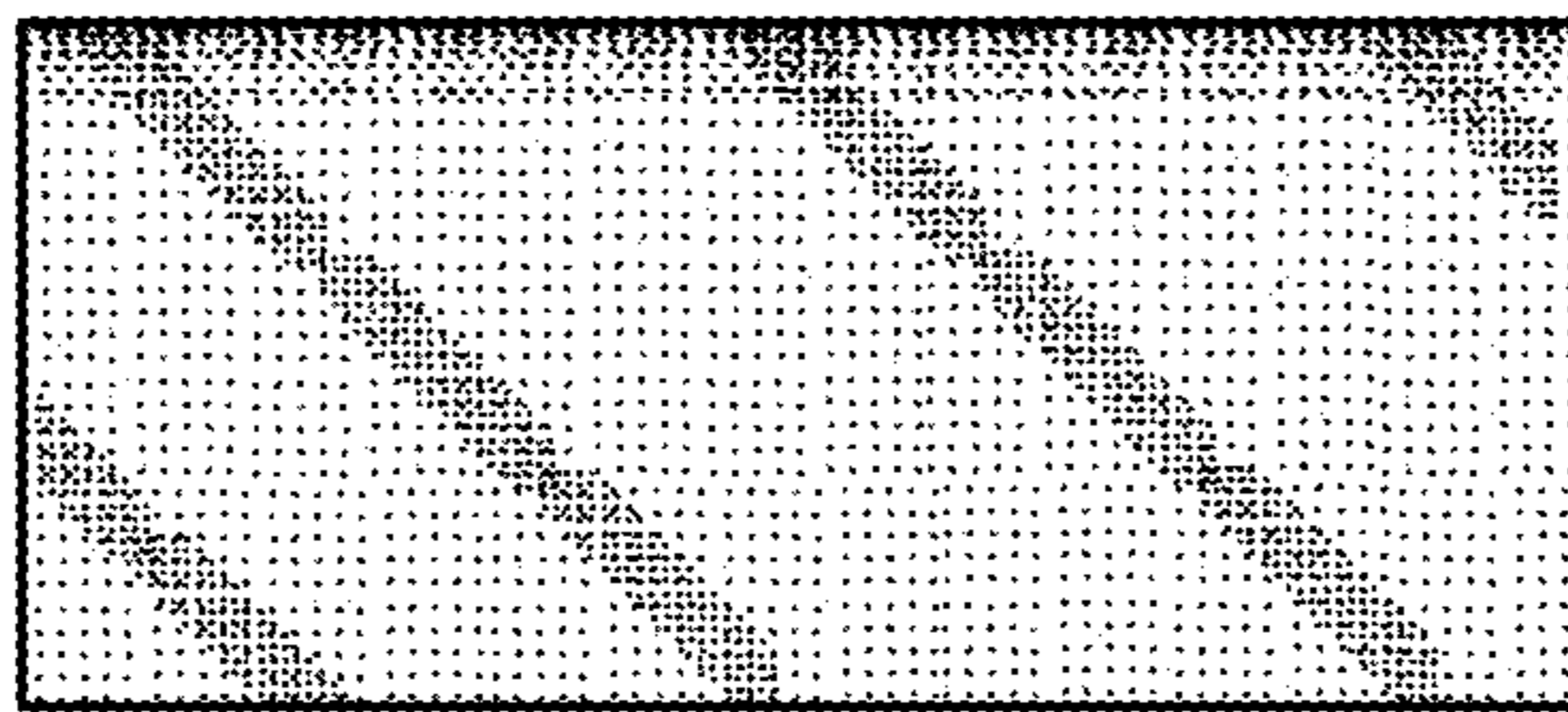
\* cited by examiner



*FIG. 1*



*FIG. 2*



*FIG. 3*

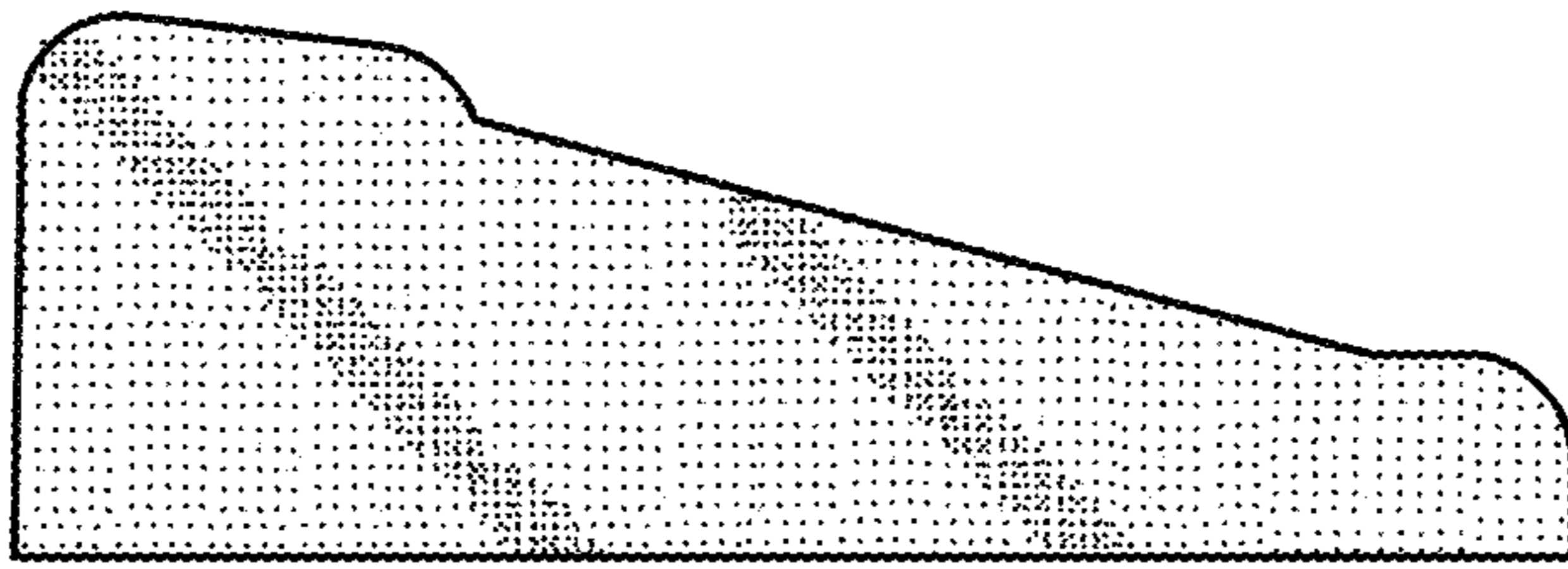


FIG. 4

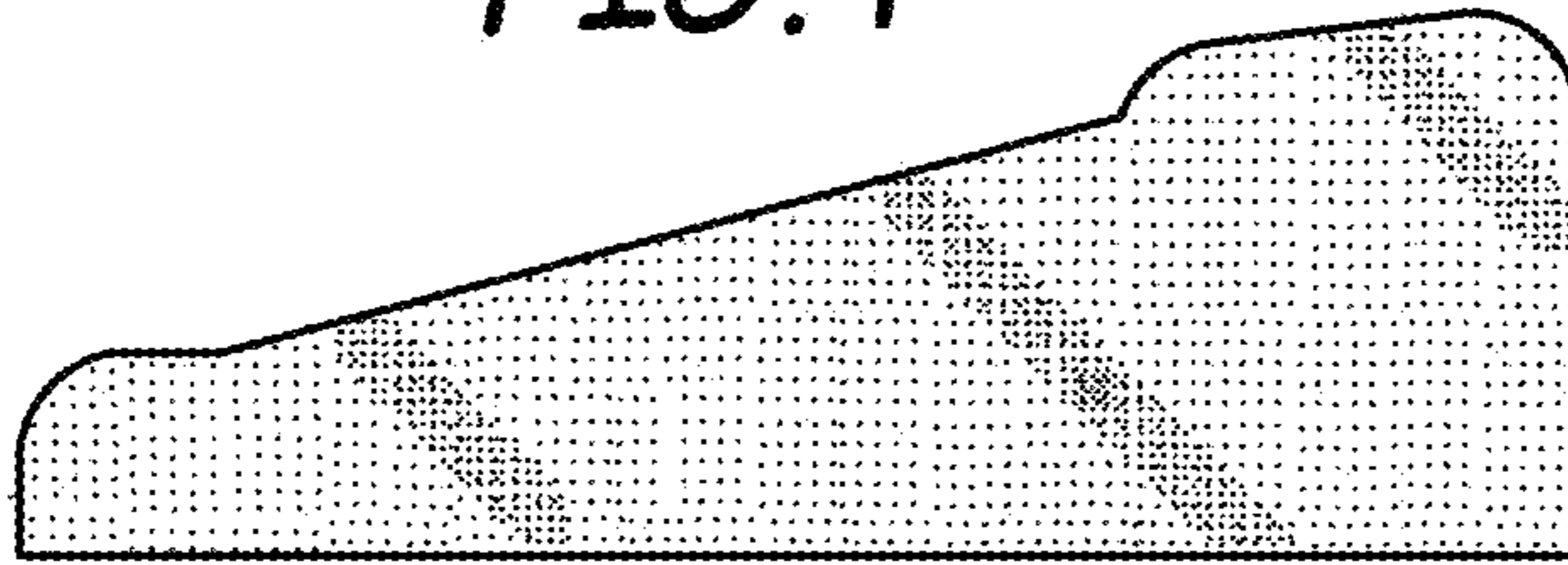


FIG. 5

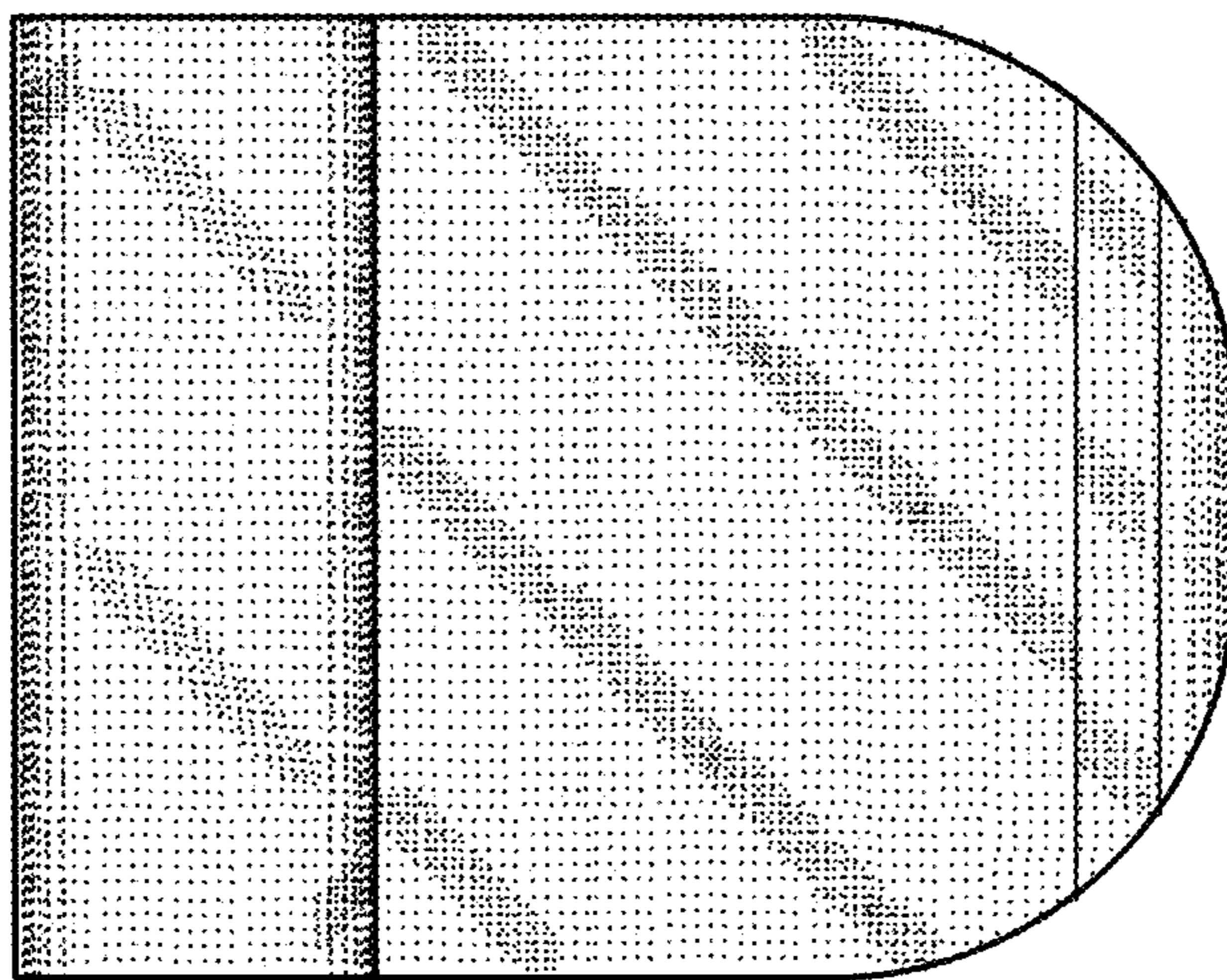


FIG. 6

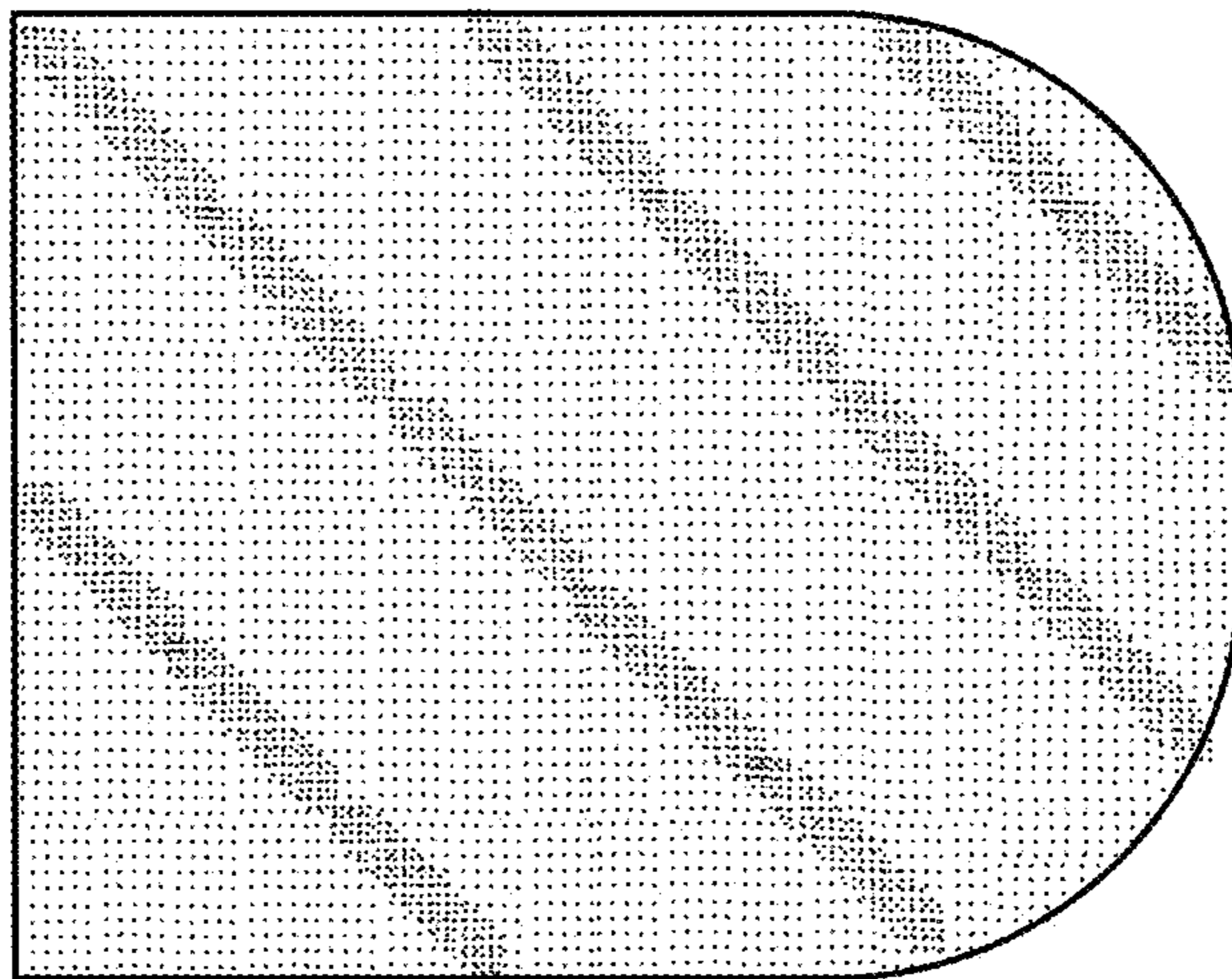


FIG. 7