



US00D876858S

(12) **United States Design Patent**
Bearsch et al.

(10) **Patent No.:** **US D876,858 S**

(45) **Date of Patent:** **** Mar. 3, 2020**

(54) **CHANGING PAD**

(71) Applicant: **Skip Hop, Inc.**, New York, NY (US)

(72) Inventors: **Benjamin Bearsch**, Brooklyn, NY (US); **Janet Villano**, Jersey City, NJ (US); **Ellen Diamant**, New York, NY (US)

(73) Assignee: **SKIP HOP, INC.**, New York, NY (US)

(**) Term: **15 Years**

(21) Appl. No.: **29/616,287**

(22) Filed: **Sep. 5, 2017**

(51) **LOC (12) Cl.** **06-09**

(52) **U.S. Cl.**
USPC **D6/596**

(58) **Field of Classification Search**
USPC D6/333, 349, 355, 375, 388, 512, 563, D6/564, 595, 596, 601, 603, 605, 608, D6/604, 611; D24/183-185, 234; D21/803, 804, 805, 809; 5/401, 420, 5/600, 630, 631, 632, 633, 635, 636, 638, 5/639, 646, 652, 652.1, 655, 703, 730, 5/411, 705
CPC .. A47G 9/0238; A47G 9/0246; A47G 9/0261; A47G 2009/0269; A47G 9/10; A47G 9/1018; A47G 9/1027; A47G 9/1063; A47G 9/1072; A47G 9/1081; A47G 9/1054

See application file for complete search history.

(56) **References Cited**

U.S. PATENT DOCUMENTS

4,359,045 A * 11/1982 Cozzi A47D 1/002
297/354.13
D342,855 S * 1/1994 Butler, II 5/655
D359,869 S * 7/1995 Oren 5/655
D398,784 S * 9/1998 Koehl D23/278

D406,480 S * 3/1999 Lin D6/349
5,948,013 A * 9/1999 Swezey A47C 7/425
5/636
D494,404 S * 8/2004 Corbett D6/596
D506,038 S * 6/2005 Lamstein A01K 1/0353
D30/118

(Continued)

OTHER PUBLICATIONS

Skip Hop Changing Pad, earliest photo review Mar. 14, 2018, [online], [site visited Oct. 12, 2019]. Available from Internet, URL: https://www.amazon.com/Skip-Hop-Changing-Pad-Easy-Clean/dp/B075X8TPMN/ref=cm_cr_ar_p_d_product_top?ie=UTF8 (Year: 2018).*

(Continued)

Primary Examiner — Michelle E. Wilson

Assistant Examiner — Sanjeev Paul

(74) *Attorney, Agent, or Firm* — Stephen J. Weyer, Esq.; Stites & Harbison, PLLC

(57) **CLAIM**

The ornamental design for a changing pad, as shown and described.

DESCRIPTION

FIG. 1 is a top, front and left side perspective view of the changing pad of our design.

FIG. 2 is a left side view thereof.

FIG. 3 is a right side view thereof.

FIG. 4 is a front elevation view thereof.

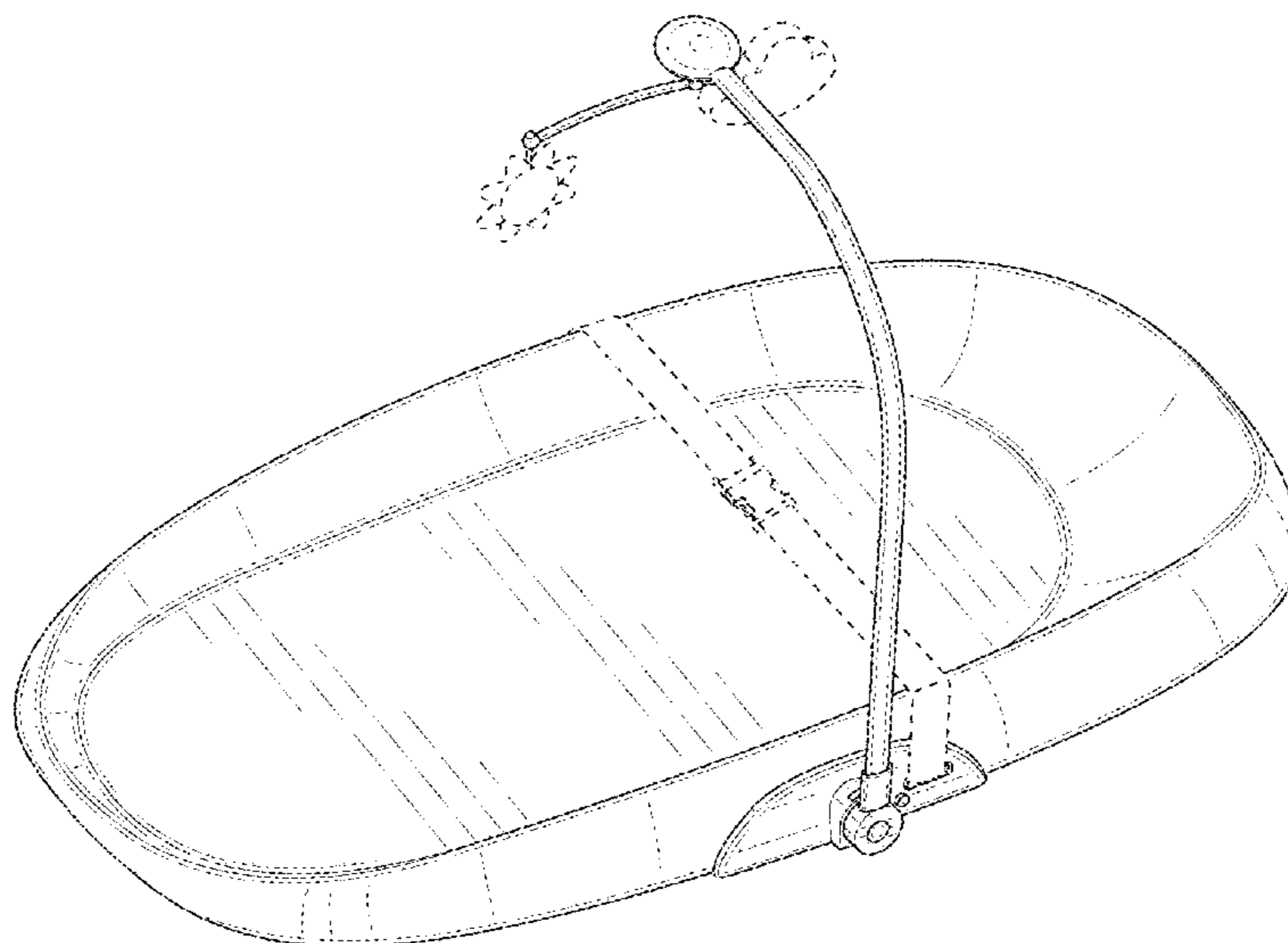
FIG. 5 is a rear elevation view thereof.

FIG. 6 is a top plan view thereof; and,

FIG. 7 is a top, front and left side perspective view of the changing pad showing an alternative configuration of our design, in which a toy bar is folded down relative to the configuration shown in FIG. 1.

The broken lines in the drawing view are included for the purpose of illustrating unclaimed portions of the changing pad only, and form not part of the claimed design.

1 Claim, 7 Drawing Sheets



(56)

References Cited

U.S. PATENT DOCUMENTS

D506,322 S * 6/2005 Owen D6/333
 D538,904 S * 3/2007 Kakihana D23/293.1
 D562,949 S * 2/2008 Kakihana D23/293.1
 D610,853 S * 3/2010 Straub D6/601
 D613,955 S * 4/2010 Kho D6/333
 D652,180 S * 1/2012 Haaf D21/465
 8,151,389 B1 * 4/2012 Lando A47D 5/006
 5/655
 D686,828 S * 7/2013 Stevens D6/333
 D714,072 S * 9/2014 Nadeau D6/390
 D743,186 S * 11/2015 Perdue D6/596
 D748,931 S * 2/2016 Corigliano D6/601
 D752,358 S * 3/2016 Pribyl D6/595
 D752,902 S * 4/2016 Peraza D6/601
 D769,026 S * 10/2016 Weiss D6/596
 D791,510 S * 7/2017 Renna D6/601
 D809,825 S * 2/2018 Clores D6/601
 D813,571 S * 3/2018 Weiss A47D 5/00
 D6/596
 D850,128 S * 6/2019 Baldelli D6/333
 D852,543 S * 7/2019 Clute D6/604
 D858,140 S * 9/2019 McConnell D6/596
 D859,557 S * 9/2019 Gershon D21/803

D860,365 S * 9/2019 Sharpe D21/769
 2005/0172411 A1 * 8/2005 Snedeker A47D 13/02
 5/655
 2014/0082848 A1 * 3/2014 Fort A47D 15/008
 5/655
 2015/0359355 A1 * 12/2015 Rushing A47D 5/00
 5/655
 2017/0295952 A1 * 10/2017 Shumway A47D 15/008
 2018/0070742 A1 * 3/2018 Yang A47D 15/008
 2018/0078052 A1 * 3/2018 Levine A47D 5/00
 2018/0080810 A1 * 3/2018 Weiss A47D 5/00
 2018/0106664 A1 * 4/2018 Bottomly G01G 19/44

OTHER PUBLICATIONS

Bumbo Changing Pad, earliest photo review Nov. 6, 2017, [online], [site visited Oct. 12, 2019]. Available from Internet, URL: https://www.amazon.com/Bumbo-Changing-Pad-Aqua/dp/B01N6KIRF6/ref=cm_cr_arp_d_product_top?ie=UTF8 (Year: 2017).*
 Grow Smart Changing Pad and Scale, earliest review Aug. 23, 2018, [online], [site visited Oct. 12, 2019]. Available from Internet, URL: <https://www.babylist.com/gp/hatch-baby-grow-smart-changing-pad-and-scale/13412/20714> (Year: 2018).*

* cited by examiner

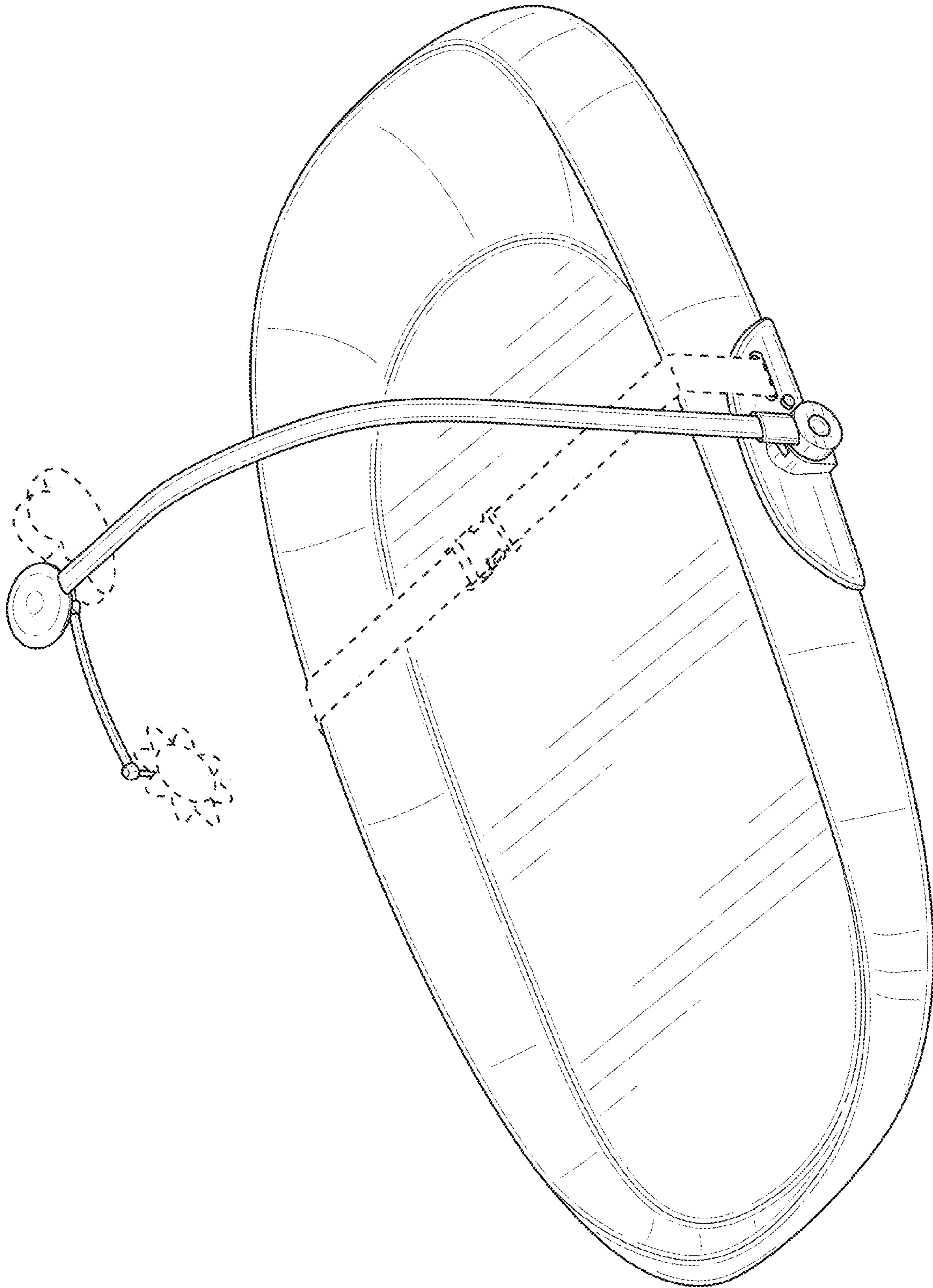


FIG. 1

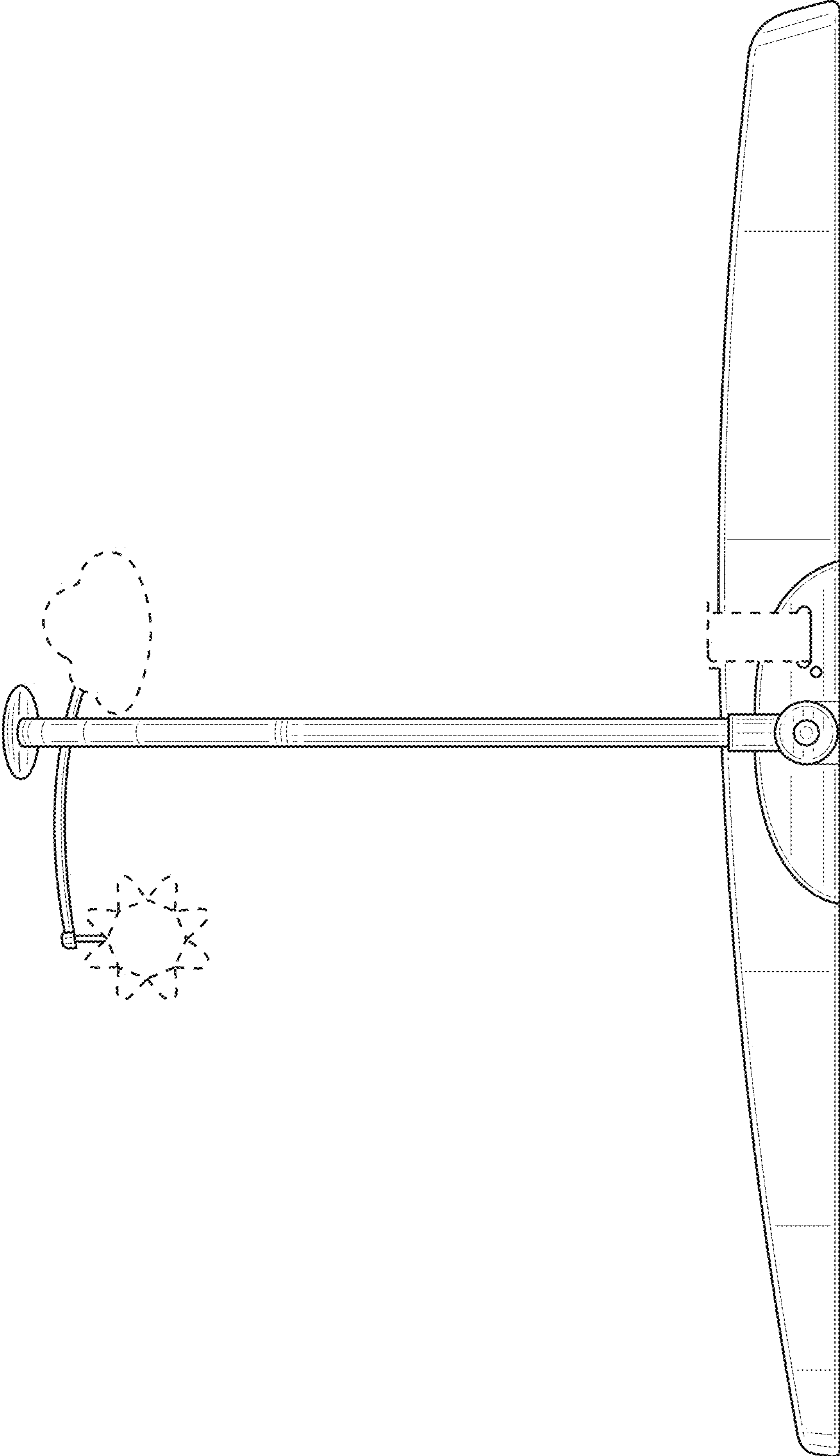


FIG. 2

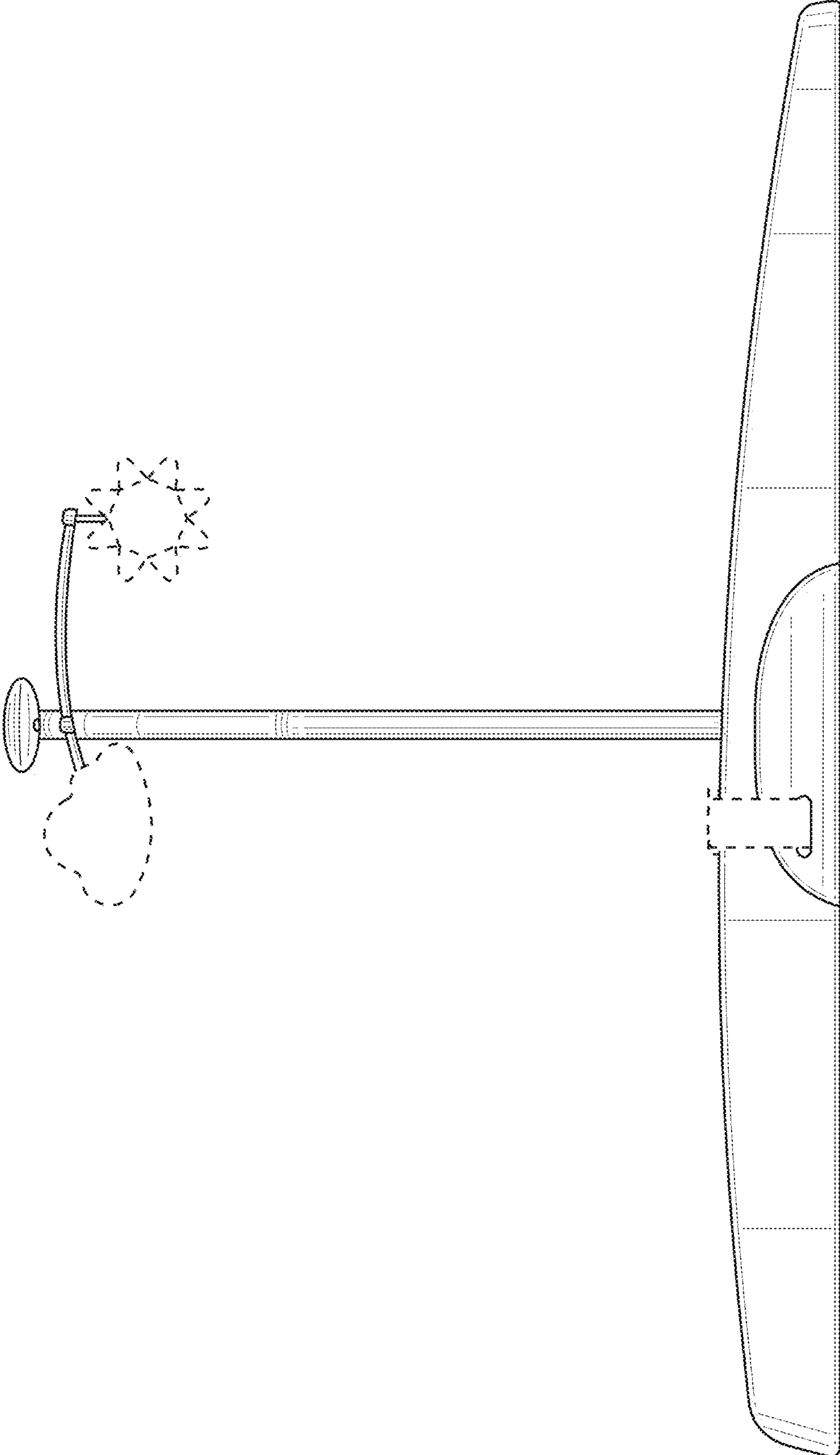


FIG. 3

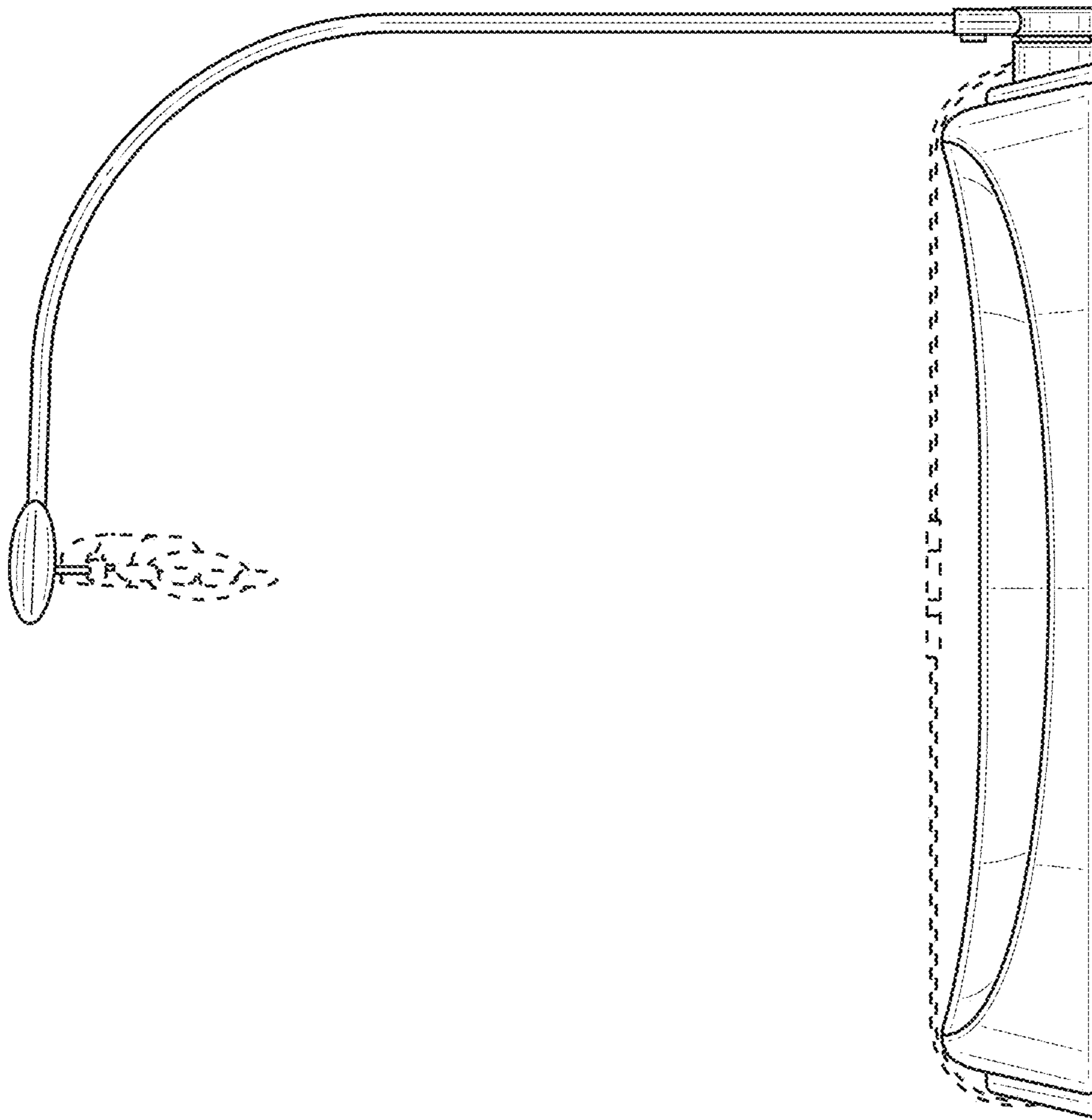


FIG. 4

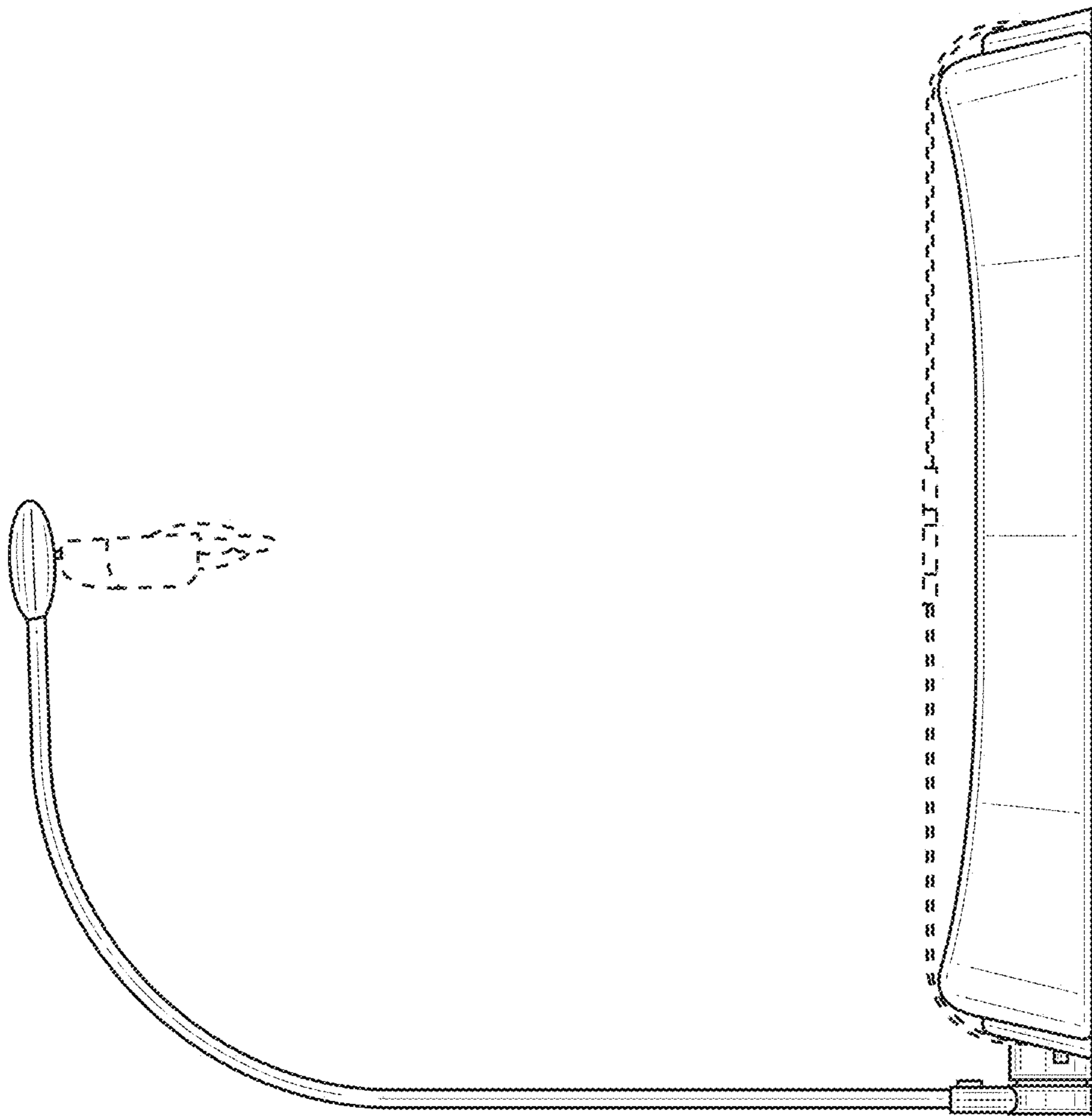


FIG. 5

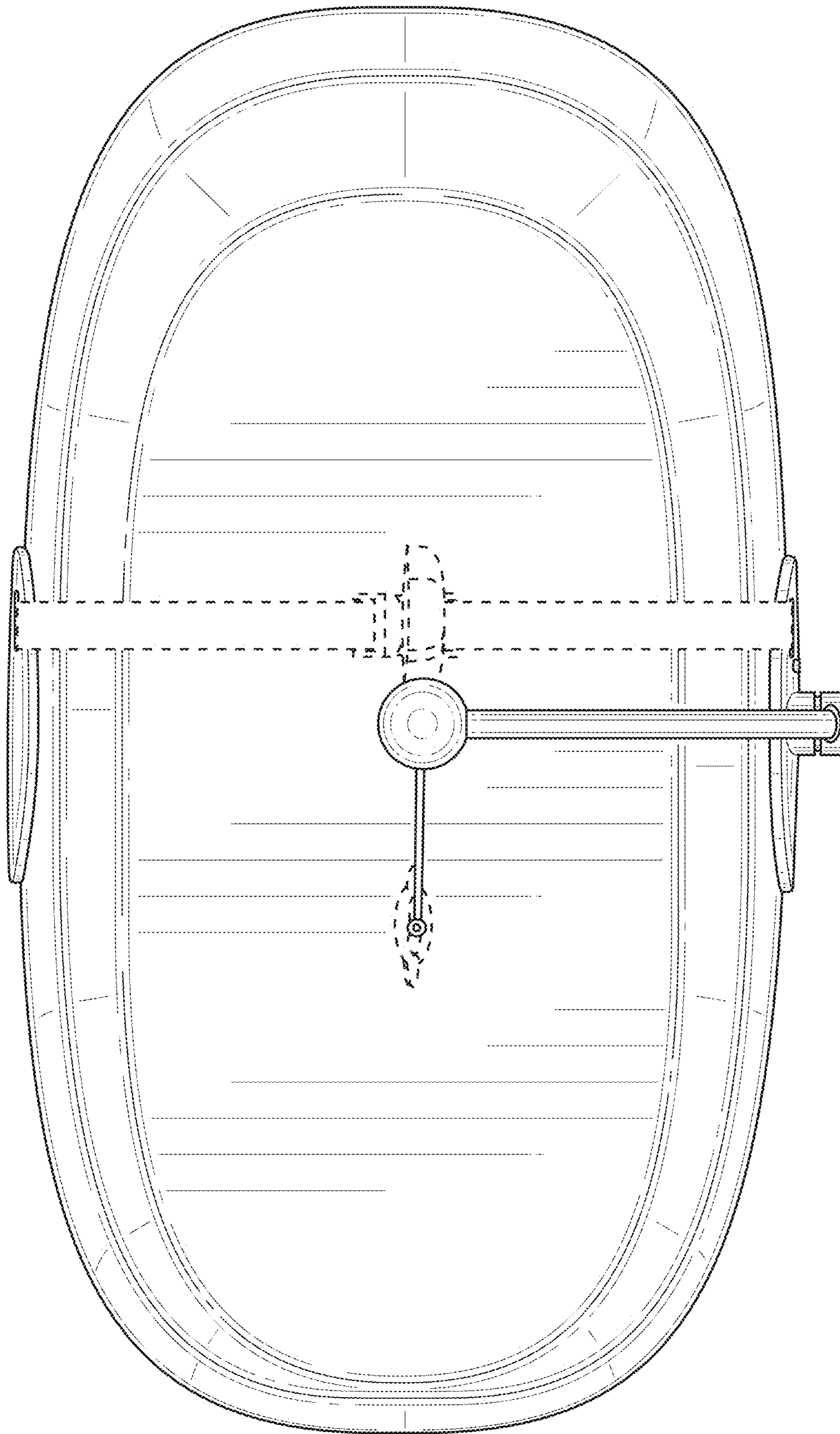


FIG. 6

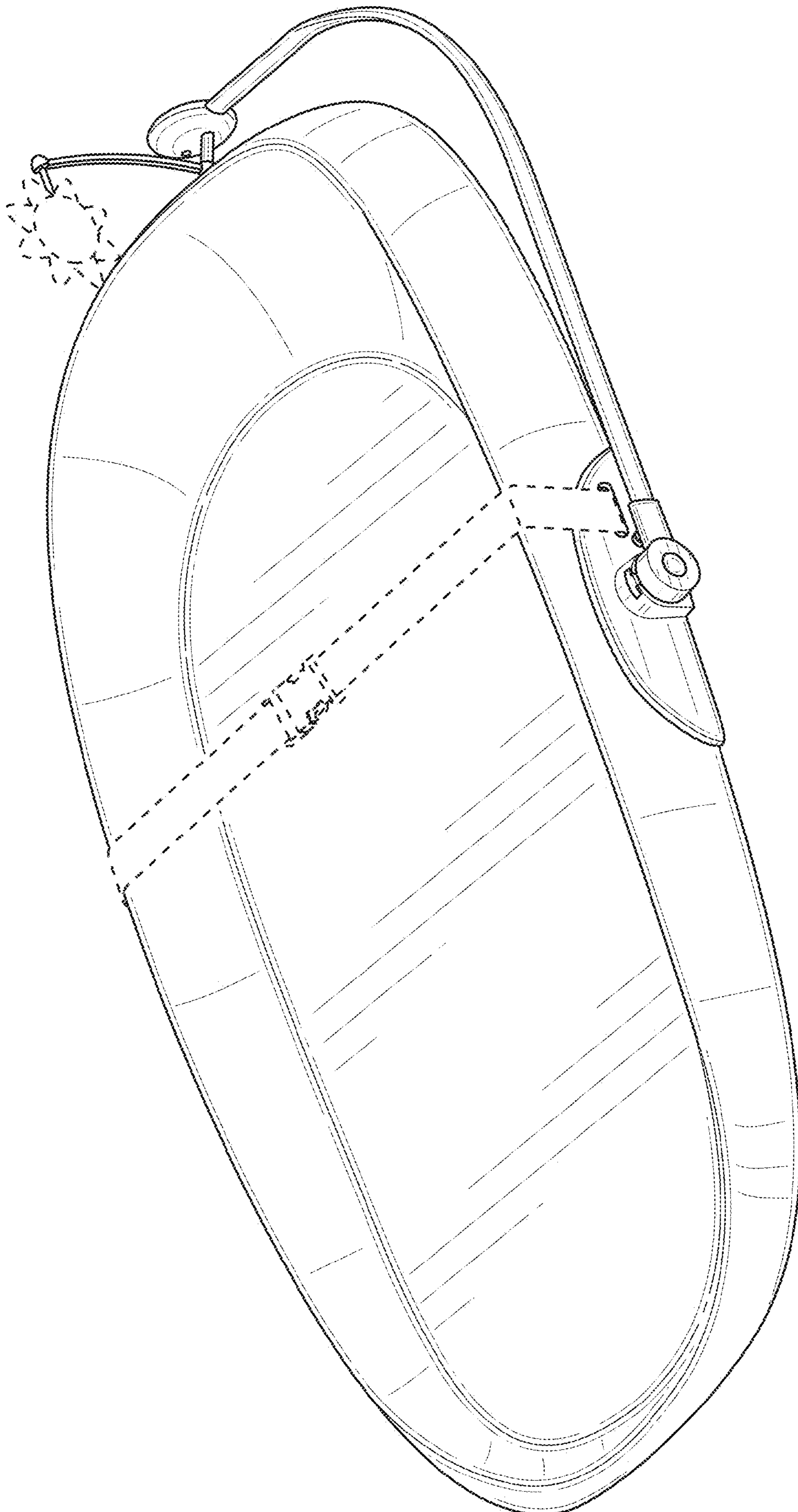


FIG. 7