



US00D876856S

(12) **United States Design Patent**
Jiang

(10) **Patent No.:** **US D876,856 S**

(45) **Date of Patent:** **** Mar. 3, 2020**

- (54) **BABY BED**
- (71) Applicant: **Jiang CO., LTD.**, Hsinchu (TW)
- (72) Inventor: **Jeng-Jier Jiang**, Hsinchu (TW)
- (73) Assignee: **JIANG CO. LTD**, Hsinchu (TW)
- (**) Term: **15 Years**
- (21) Appl. No.: **29/666,967**
- (22) Filed: **Oct. 17, 2018**
- (51) **LOC (12) Cl.** **06-02**
- (52) **U.S. Cl.**
USPC **D6/390; D30/118; D30/161; D6/383**
- (58) **Field of Classification Search**
USPC D6/333, 390, 391, 718.26, 383;
D23/278, 280.1, 280.2; D30/118, 161;
D3/298, 304
CPC ... A47D 7/00; A47D 7/02; A47D 9/00; A47D
5/00; A47D 13/08; A47D 15/008; A47K
3/127
See application file for complete search history.

(56) **References Cited**

U.S. PATENT DOCUMENTS

- 2,401,605 A * 6/1946 Boren A61G 11/00
5/97
- 2,752,614 A * 7/1956 Hayward A47D 5/00
5/93.1
- 3,436,770 A * 4/1969 Turner A47D 7/002
5/94
- D253,368 S * 11/1979 Johansson D23/280.2
- D288,636 S * 3/1987 McLaren 5/425
- 5,038,426 A * 8/1991 Boretski A47D 9/00
190/1
- D337,217 S * 7/1993 Strickland D6/390
- D351,889 S * 10/1994 Buchanan D21/803
- 5,479,892 A * 1/1996 Edwards A01K 1/0272
119/771
- D380,880 S * 7/1997 Reid D30/118

- D382,725 S * 8/1997 Hahn D23/278
- 5,813,558 A * 9/1998 Burke A45C 9/00
150/112
- 5,832,874 A * 11/1998 Ravin A01K 1/0245
119/496
- D482,763 S * 11/2003 Thomas D23/280.1
- 6,964,071 B1 * 11/2005 Lahmann A47D 9/00
5/2.1
- D527,081 S * 8/2006 Hatrick-Smith D23/280.1
- RE40,754 E * 6/2009 Morton A47D 7/002
5/655
- D635,726 S * 4/2011 Lawson D30/161
- D638,590 S * 5/2011 Lipscomb D23/278
- D646,444 S * 10/2011 Lawson D30/161
- D751,678 S * 3/2016 Davis D23/278
- 2012/0180217 A1 * 7/2012 Obriot A47C 21/046
5/604

* cited by examiner

Primary Examiner — Cathron C Brooks
(74) *Attorney, Agent, or Firm* — Heslin Rothenberg
Farley & Mesiti P.C.; George Blasiak

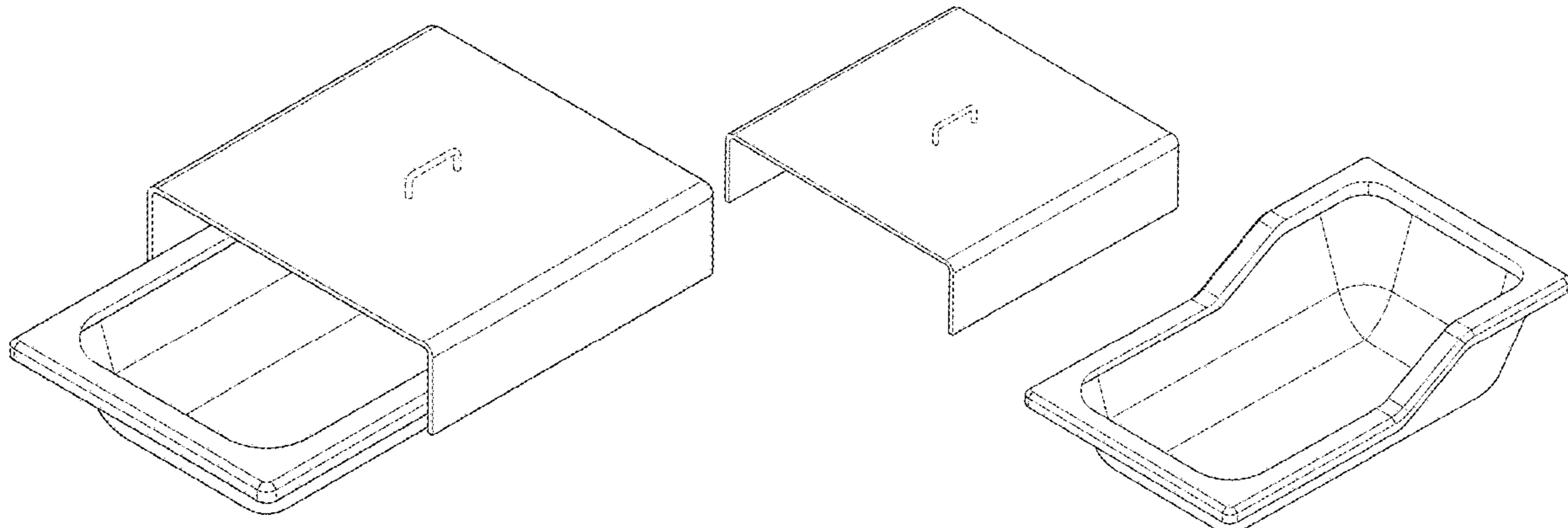
(57) **CLAIM**

The ornamental design for a baby bed, as shown and described.

DESCRIPTION

FIG. 1 is a perspective view of the baby bed showing my new design;
FIG. 2 is a front side view thereof;
FIG. 3 is a rear side view thereof;
FIG. 4 is a left side view thereof;
FIG. 5 is a right side view thereof;
FIG. 6 is a top view thereof; and,
FIG. 7 is an exploded perspective view thereof.
The dashed lines illustrate portions of the baby bed that form no part of the claimed design.

1 Claim, 6 Drawing Sheets



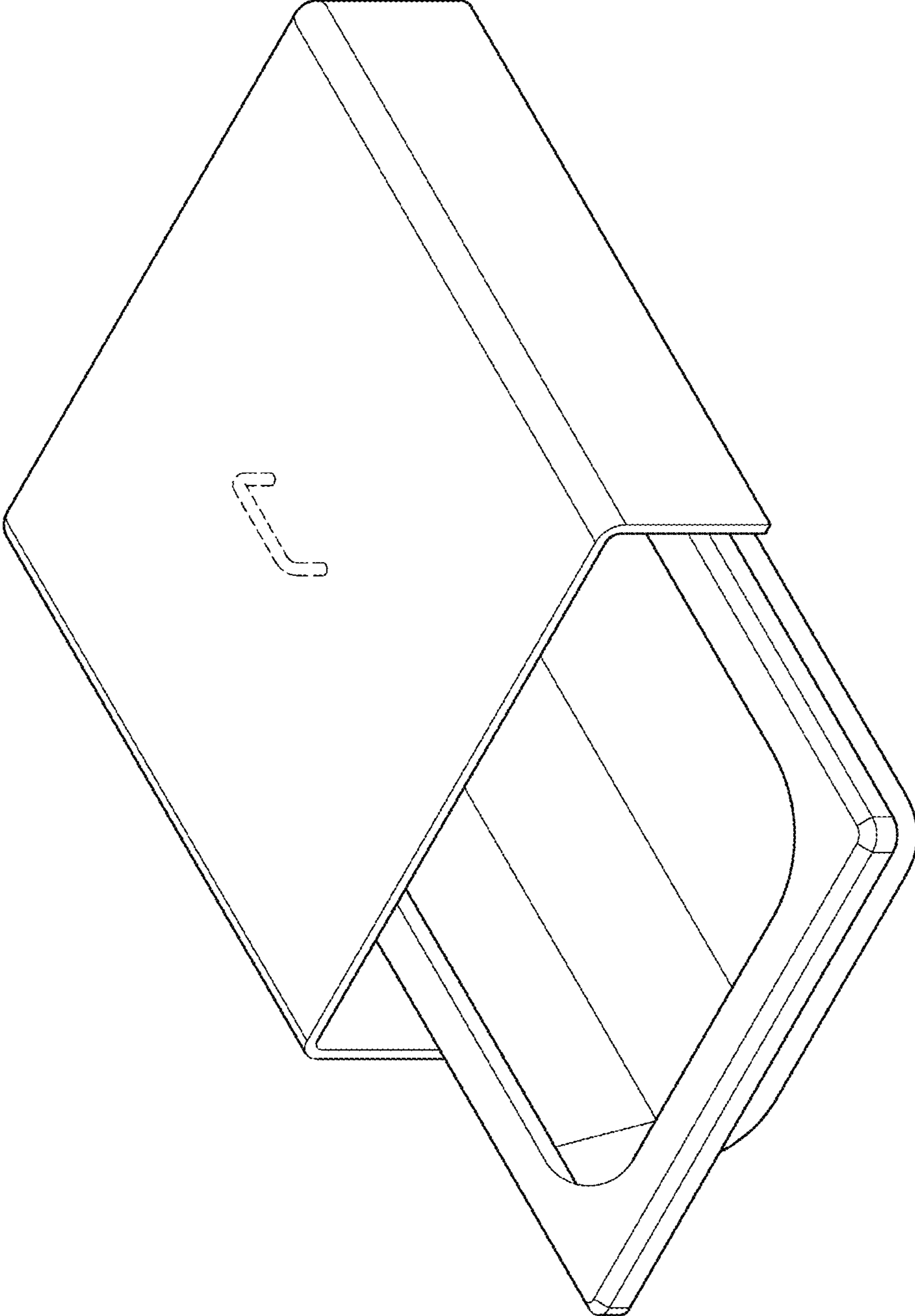


FIG.1

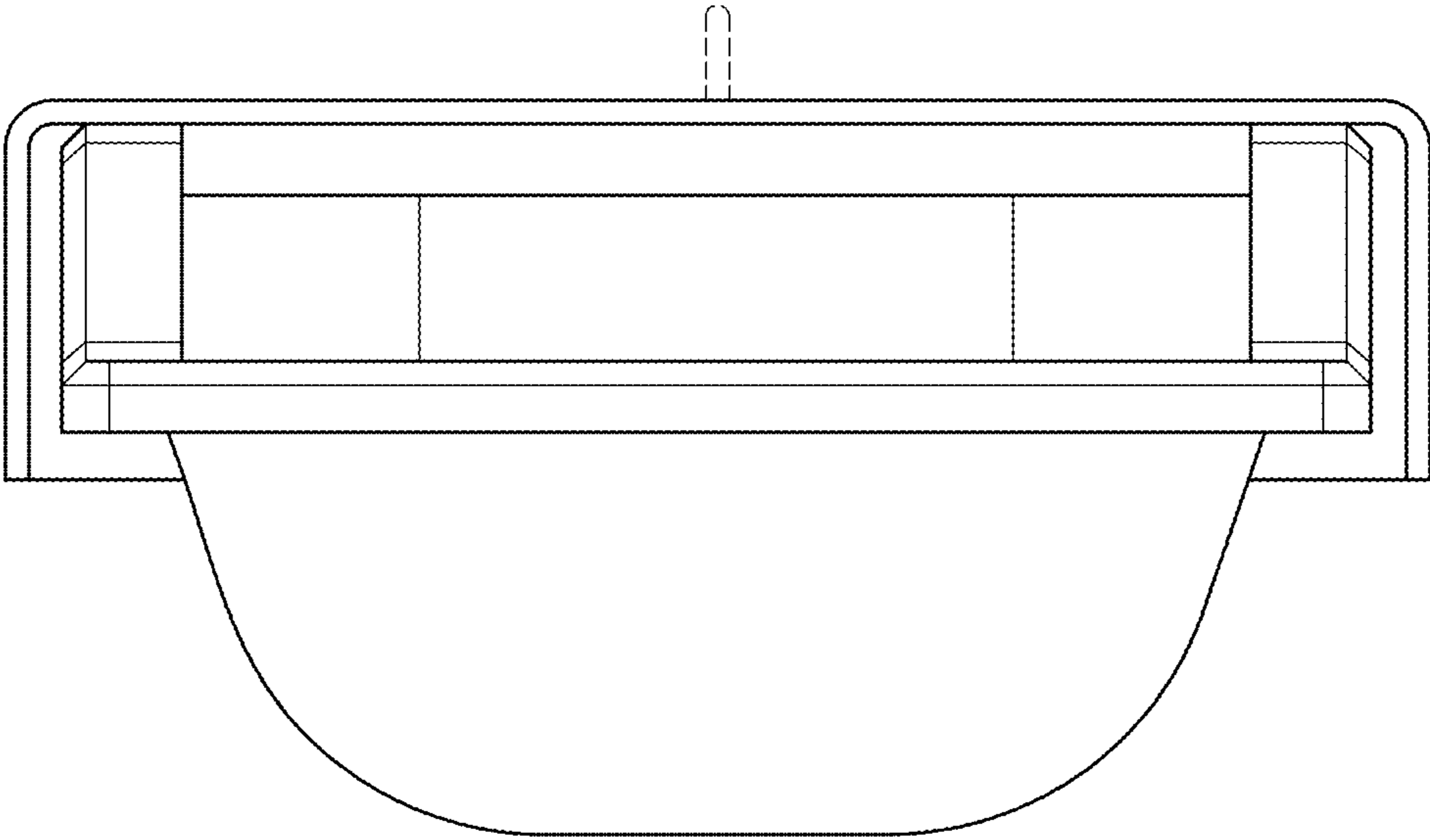


FIG. 2

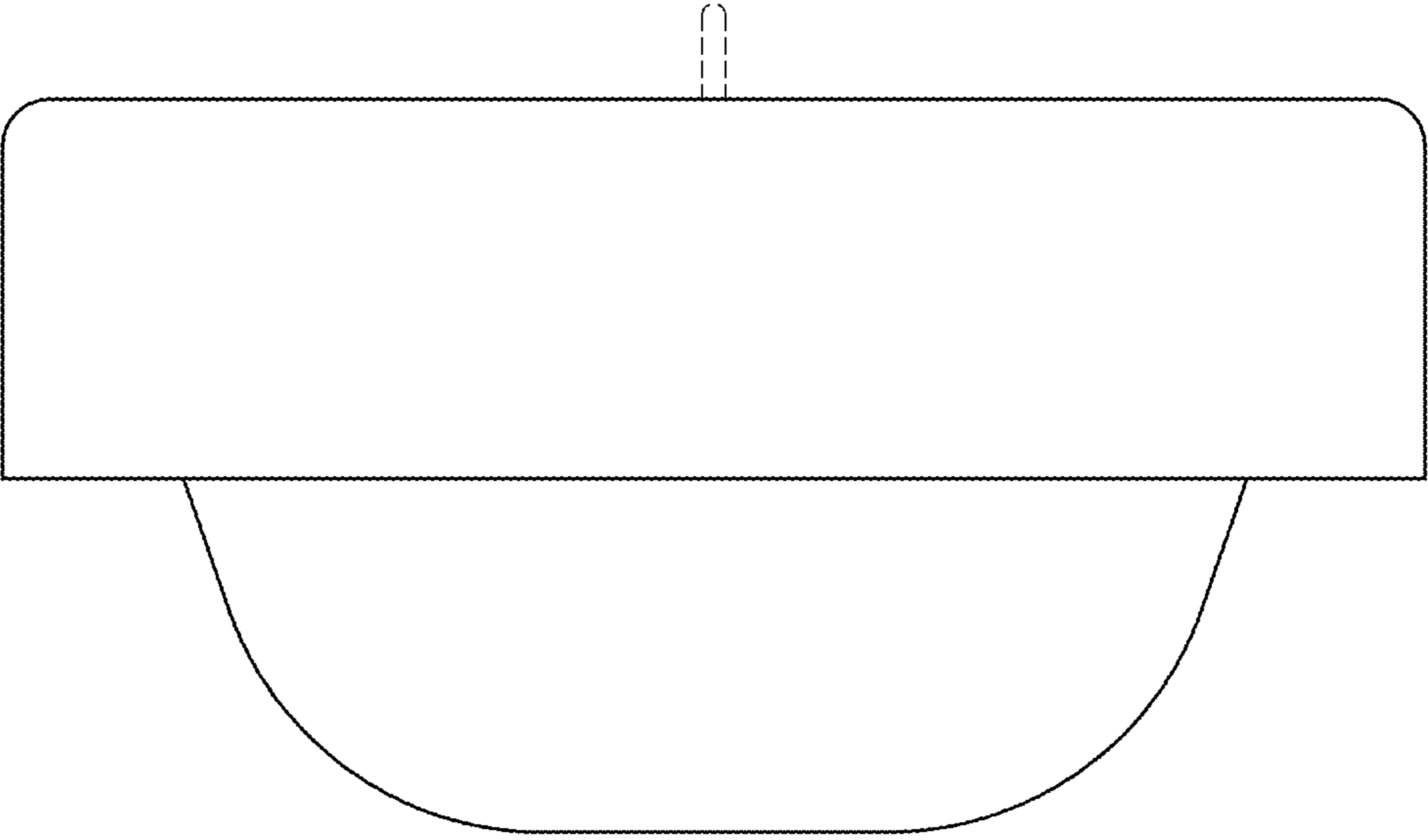


FIG. 3

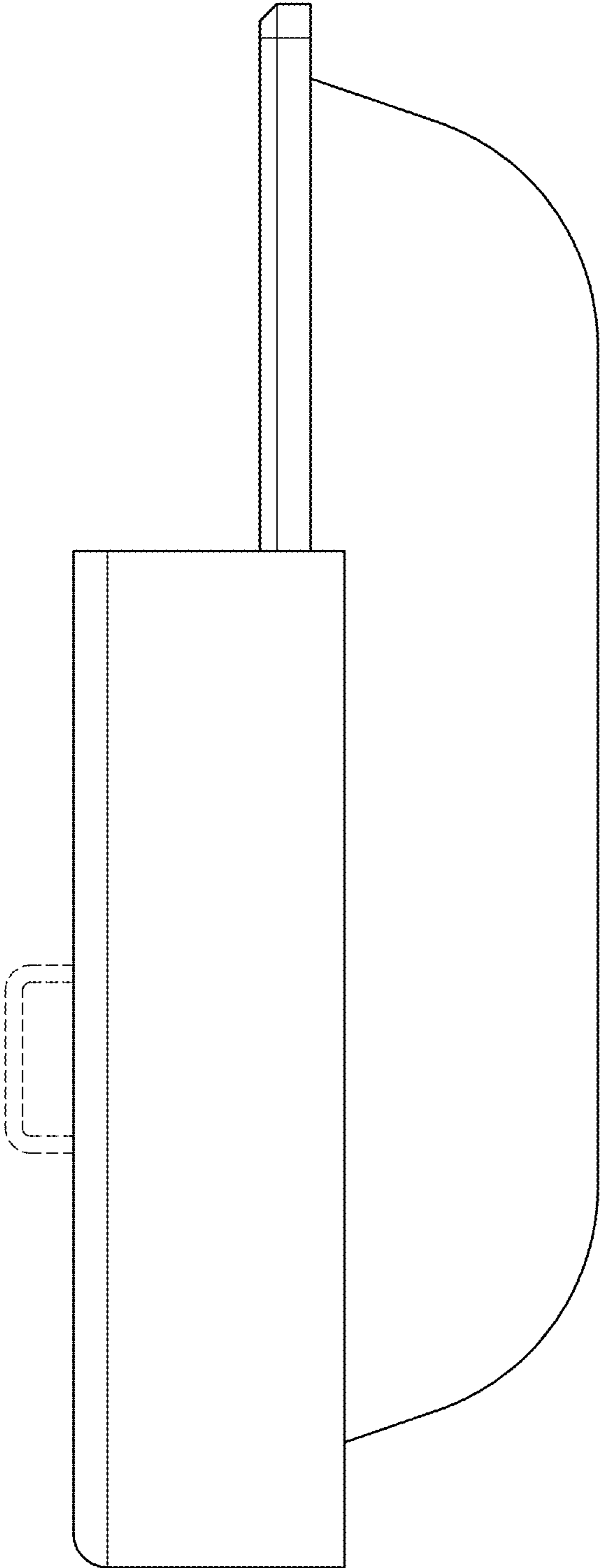


FIG.4

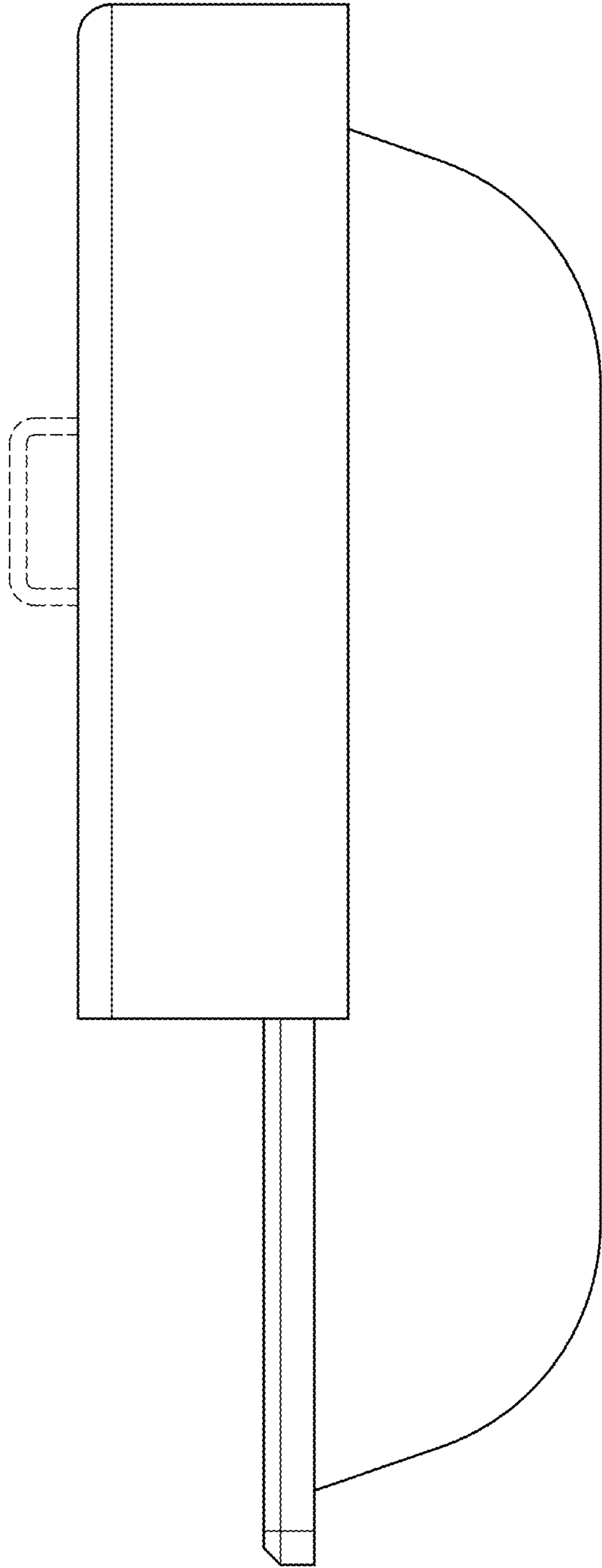


FIG.5

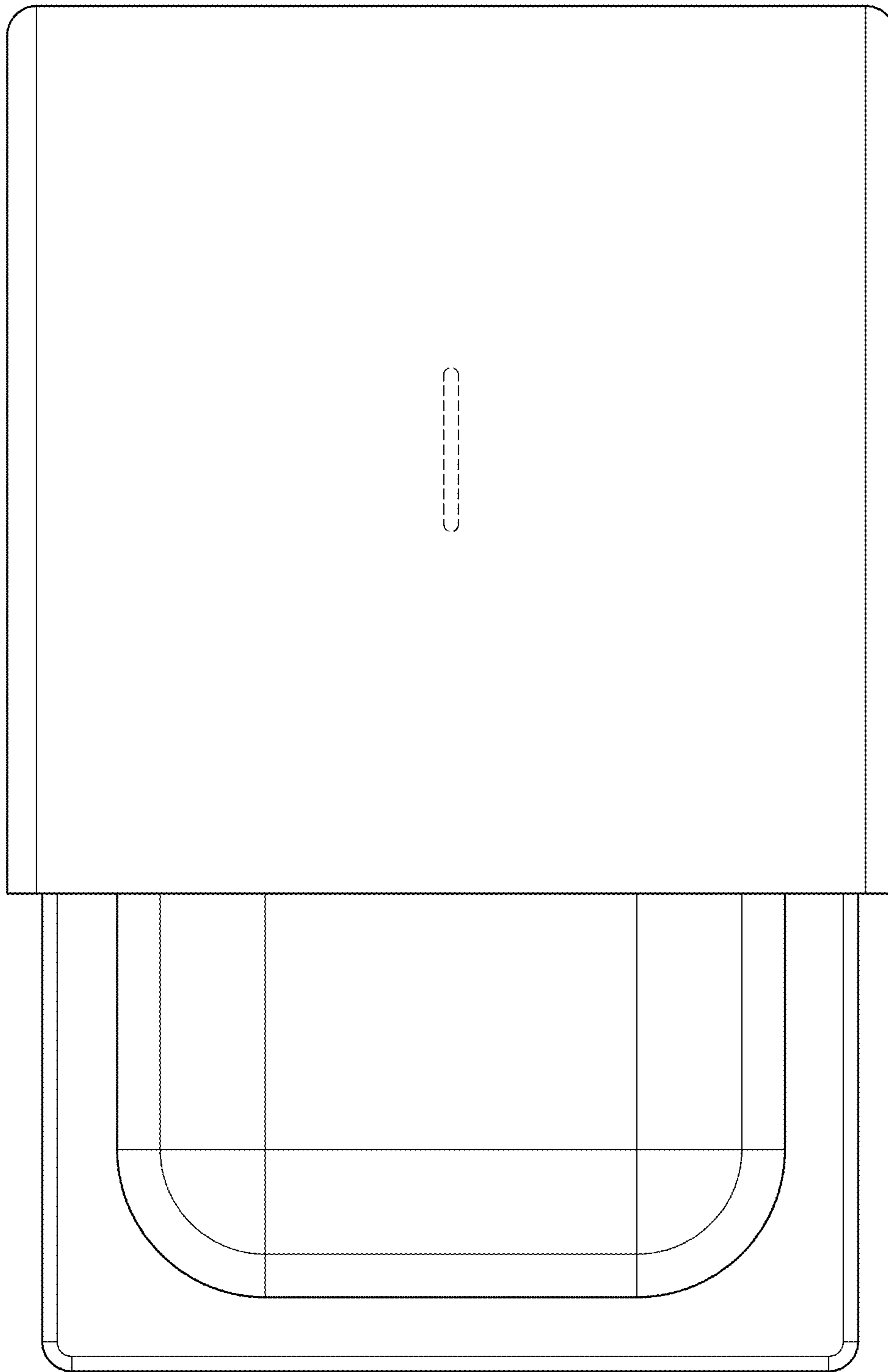


FIG.6

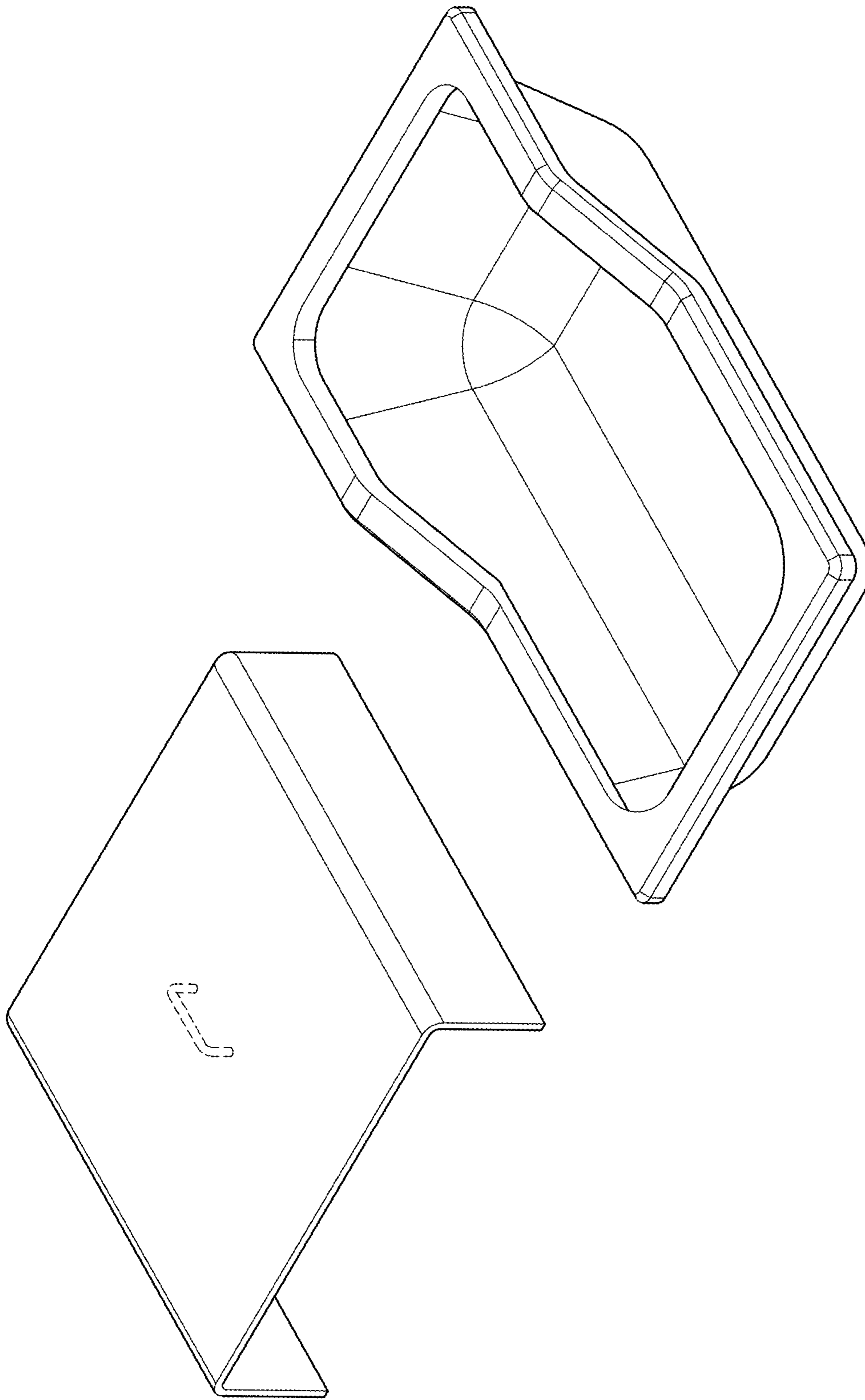


FIG. 7