



US00D876855S

(12) **United States Design Patent**
Vanderminden

(10) **Patent No.:** **US D876,855 S**

(45) **Date of Patent:** **** Mar. 3, 2020**

(54) **SEAT**

(71) Applicant: **Telescope Casual Furniture, Inc.**,
Granville, NY (US)

(72) Inventor: **William M. Vanderminden**,
Queensbury, NY (US)

(73) Assignee: **Telescope Casual Furniture, Inc.**,
Granville, NY (US)

(**) Term: **15 Years**

(21) Appl. No.: **29/644,763**

(22) Filed: **Apr. 20, 2018**

(51) **LOC (12) Cl.** **06-01**

(52) **U.S. Cl.**
USPC **D6/379; D6/380**

(58) **Field of Classification Search**
USPC D6/334-336, 366, 373, 374, 375, 376,
D6/379, 380, 716, 716.1, 716.2, 716.3,
D6/716.4
CPC .. A47C 3/04; A47C 4/02; A47C 4/024; A47C
4/027; A47C 4/028; A47C 4/03; A47C
7/16; A47C 7/18; A47C 7/24
See application file for complete search history.

(56) **References Cited**

U.S. PATENT DOCUMENTS

D207,840 S *	6/1967	Rodrigo	D6/375
D279,243 S	6/1985	Vanderminden	
D284,143 S	6/1986	Vanderminden	
D422,423 S *	4/2000	Lin	D6/379
D446,960 S *	8/2001	Lovegrove	D6/380

D474,621 S *	5/2003	Pesso	D6/379
D609,037 S *	2/2010	Miller	D6/716
D640,067 S *	6/2011	Weimer	D6/379
D648,553 S *	11/2011	Wilson	D6/366
D657,582 S *	4/2012	Wilson	D6/366
D657,583 S *	4/2012	Wilson	D6/366
D690,953 S *	10/2013	Alken	D6/380
D778,633 S	2/2017	Vanderminden	

* cited by examiner

Primary Examiner — Mimosa De

(74) *Attorney, Agent, or Firm* — Heslin Rothenberg
Farley and Mesiti PC

(57) **CLAIM**

The ornamental design for a seat, as shown and described.

DESCRIPTION

FIG. 1 is a perspective view of a seat in accordance with the new design;

FIG. 2 is a front elevational view thereof;

FIG. 3 is a left side elevational view thereof;

FIG. 4 is a right side elevational view thereof;

FIG. 5 is a rear elevational view thereof;

FIG. 6 is a top view thereof;

FIG. 7 is a perspective view of another embodiment of a seat with portions having different colored surfaces in accordance with the new design;

FIG. 8 is a front elevational view thereof;

FIG. 9 is a left side elevational view thereof;

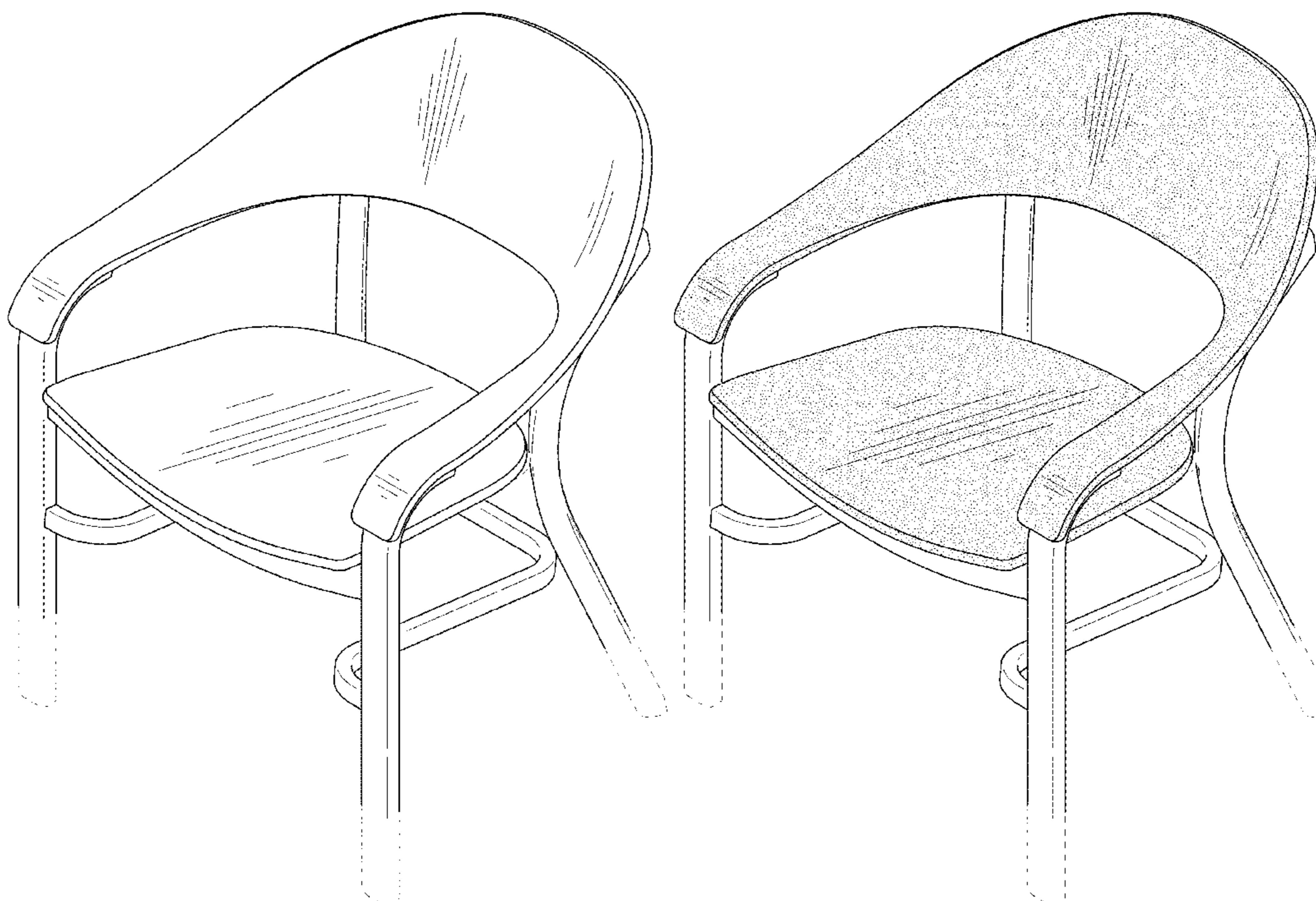
FIG. 10 is a right side elevational view thereof;

FIG. 11 is a rear elevational view thereof; and,

FIG. 12 is a top view thereof.

The broken lines in the figures are for illustration purposes only and form no part of the claimed design.

1 Claim, 12 Drawing Sheets



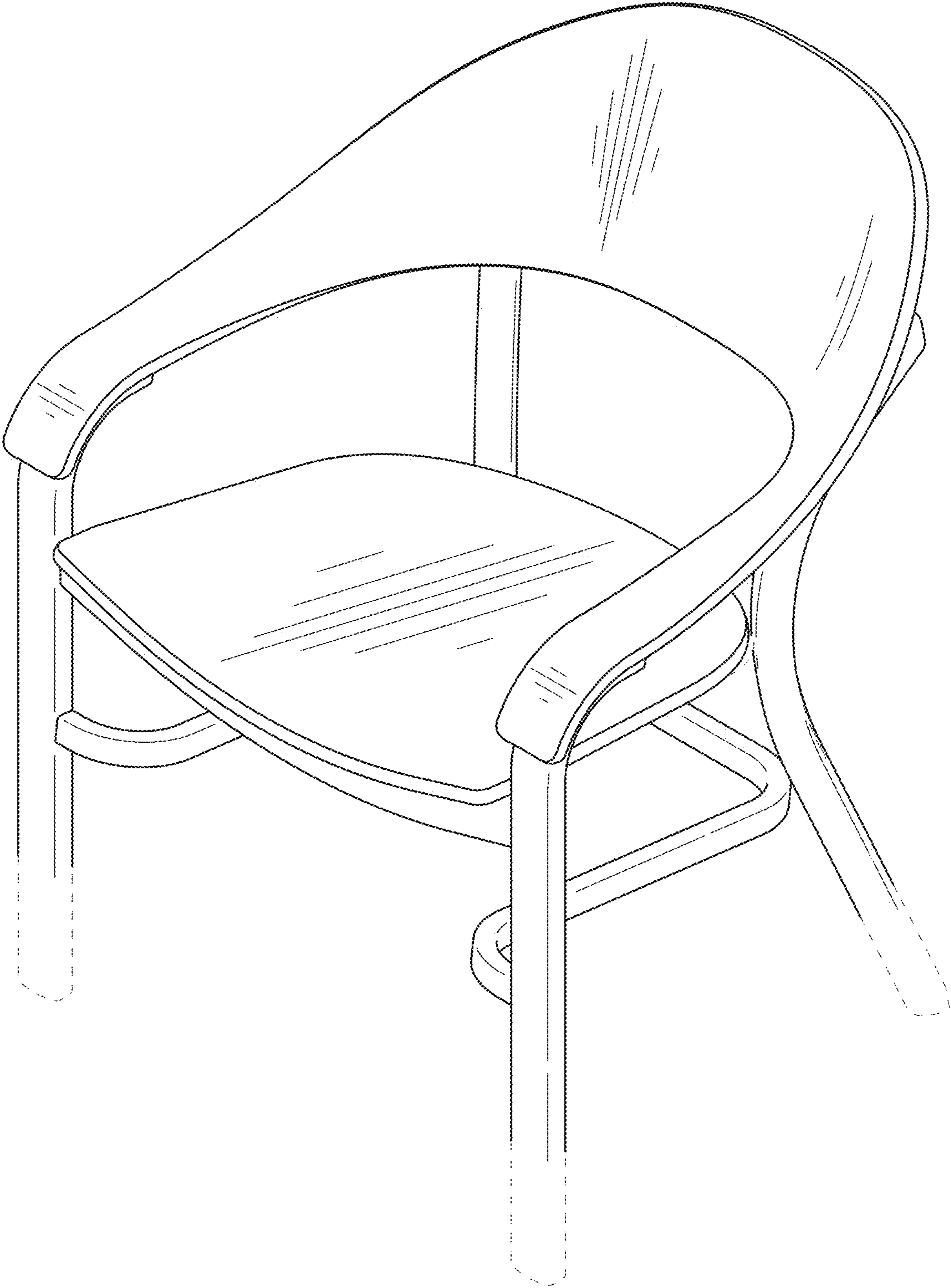


FIG. 1

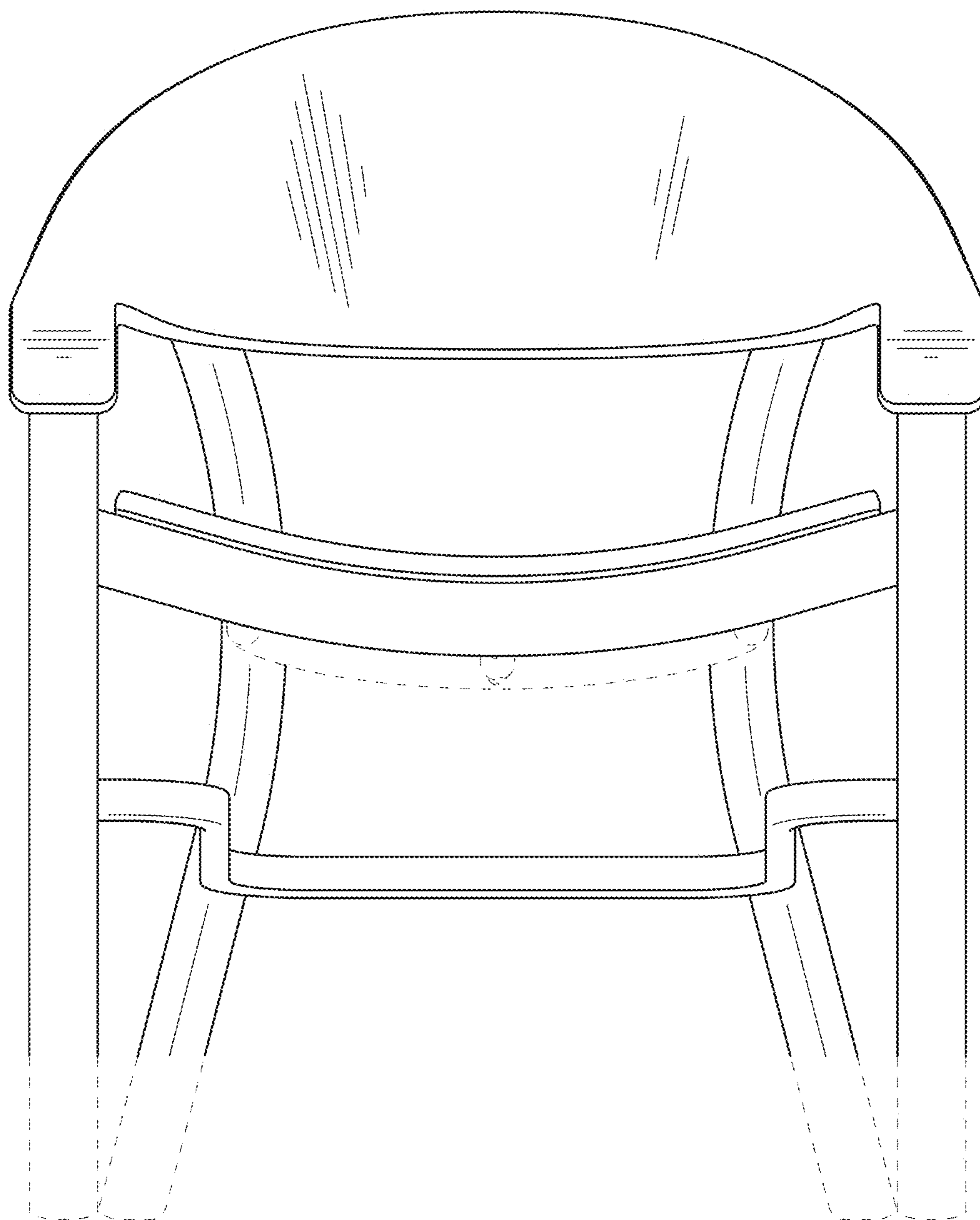


FIG. 2

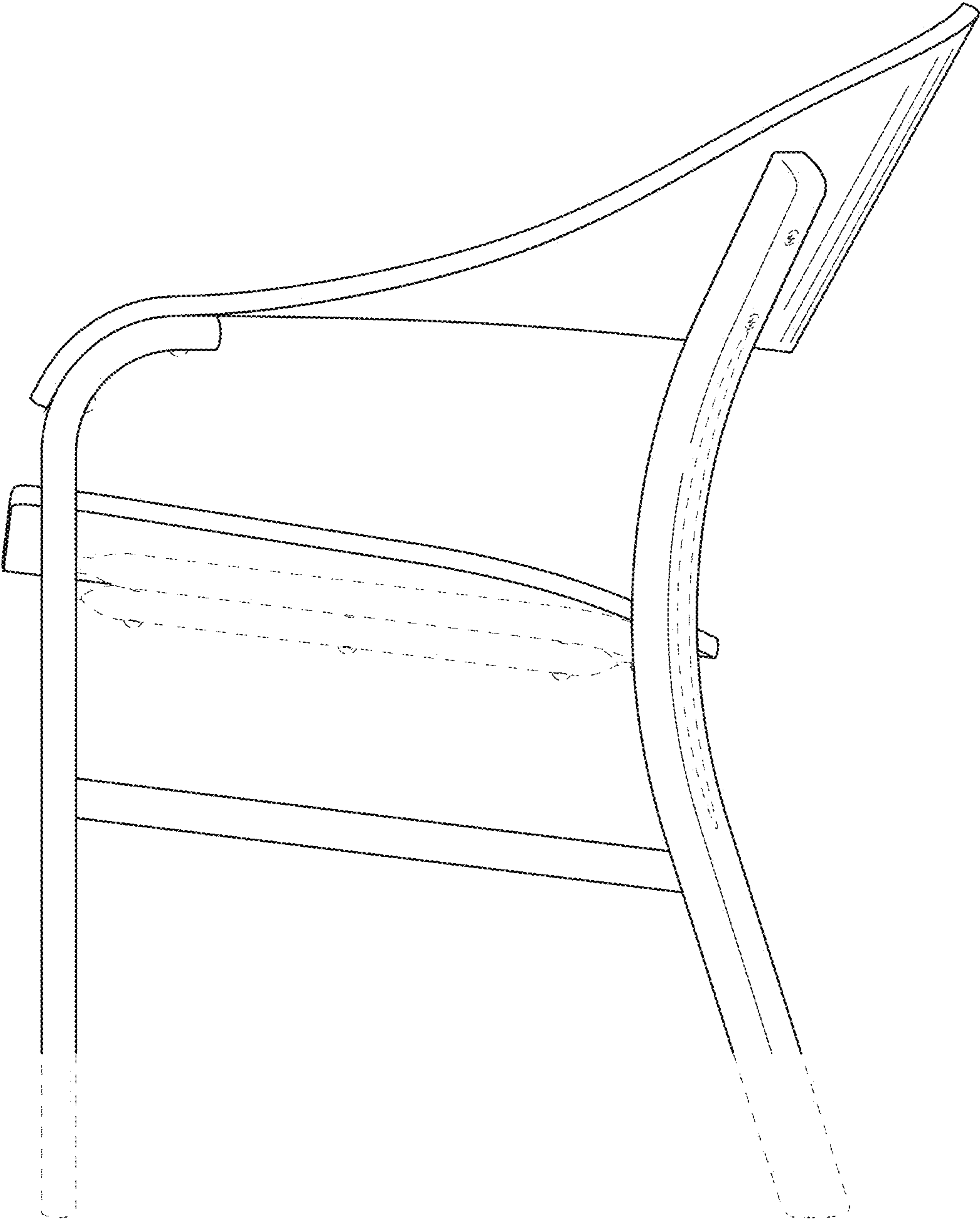


FIG. 3

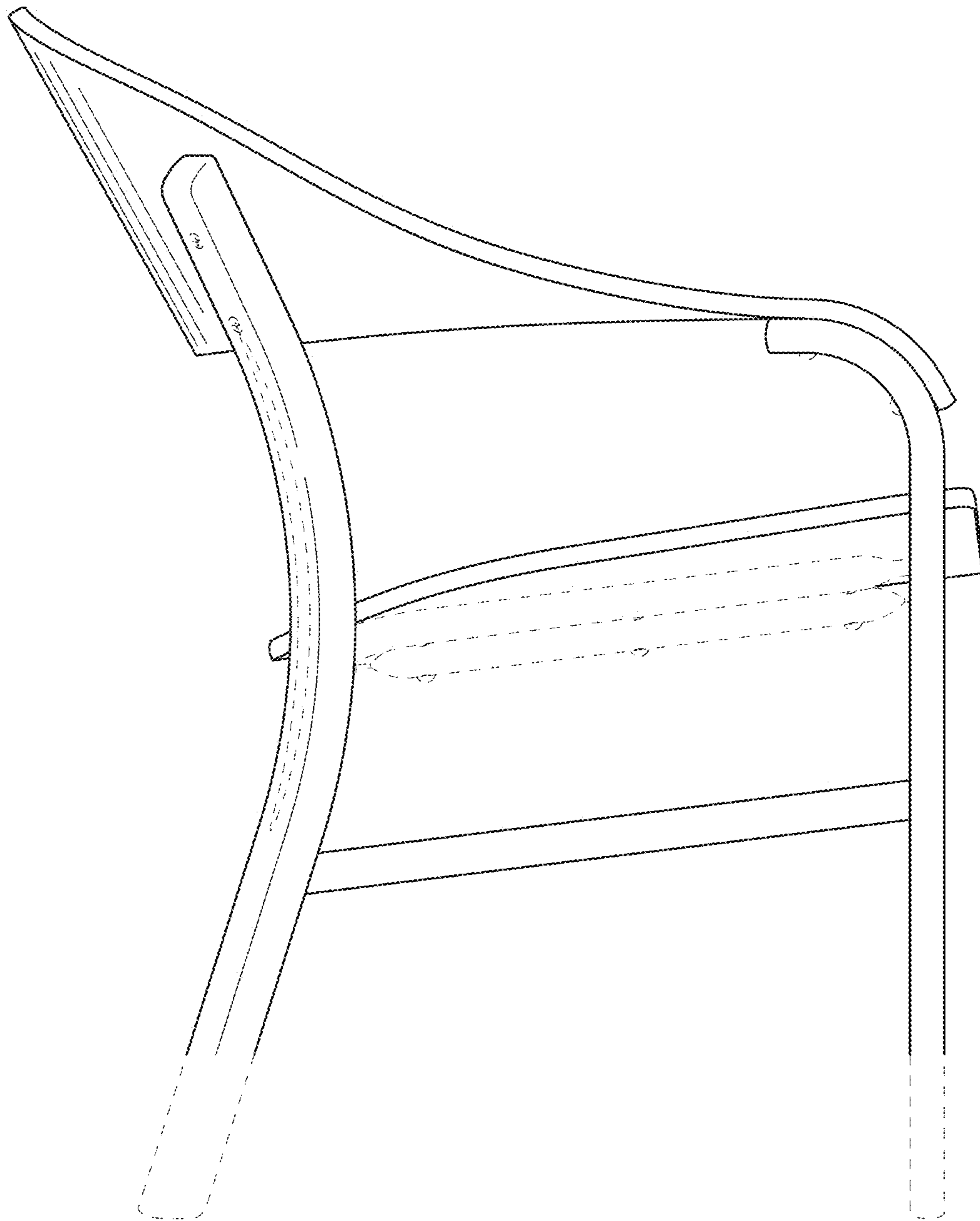


FIG. 4

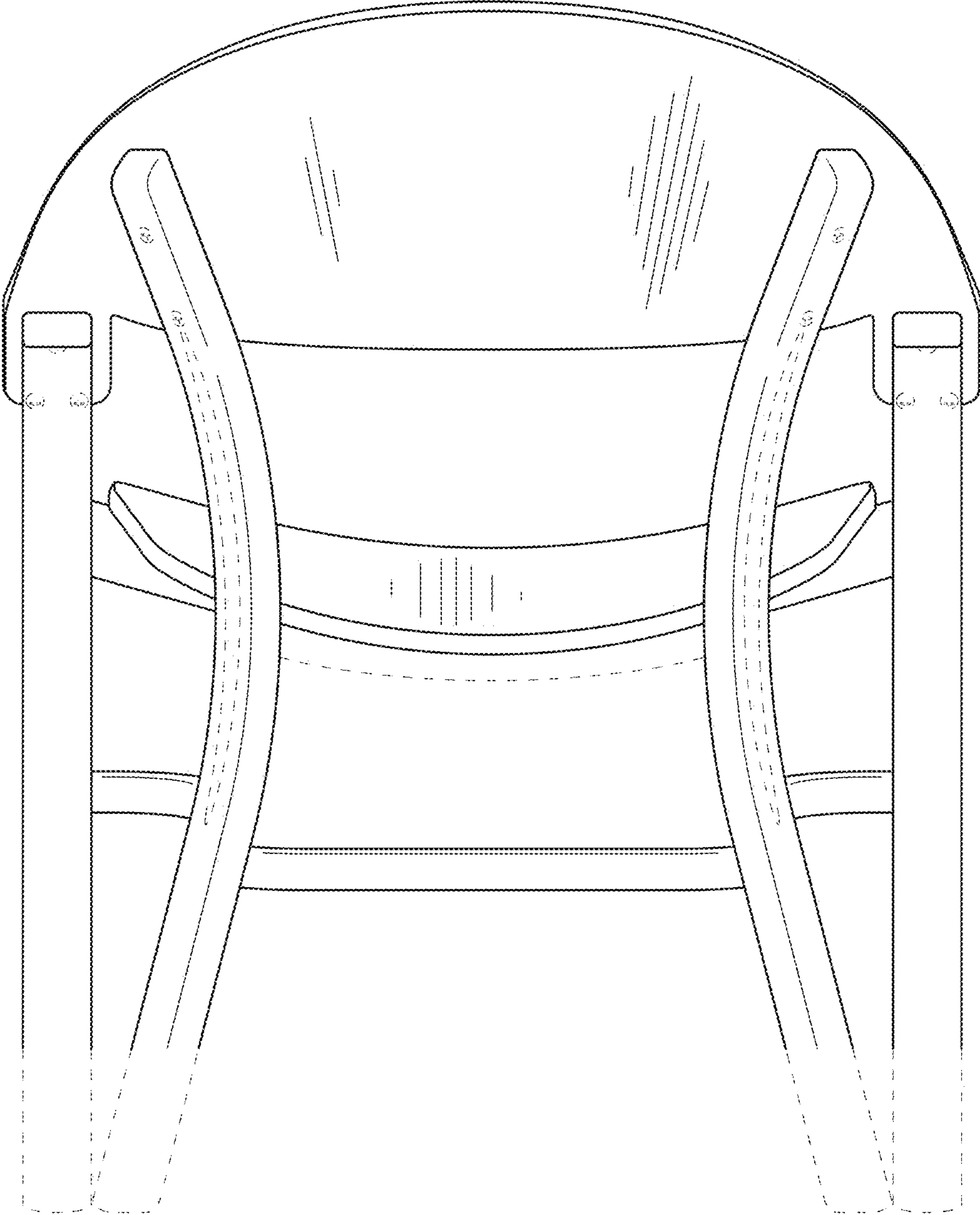


FIG. 5

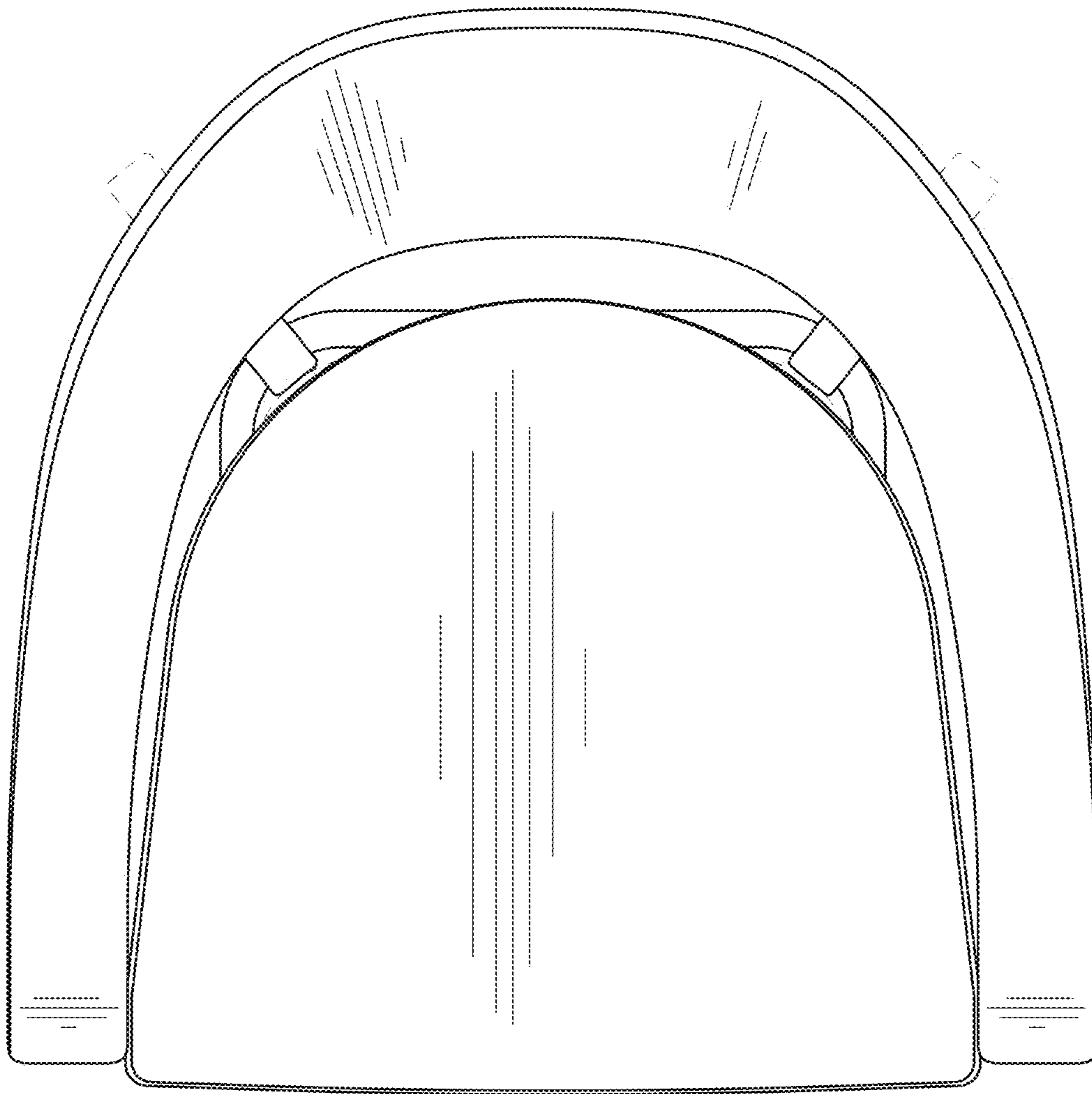


FIG. 6

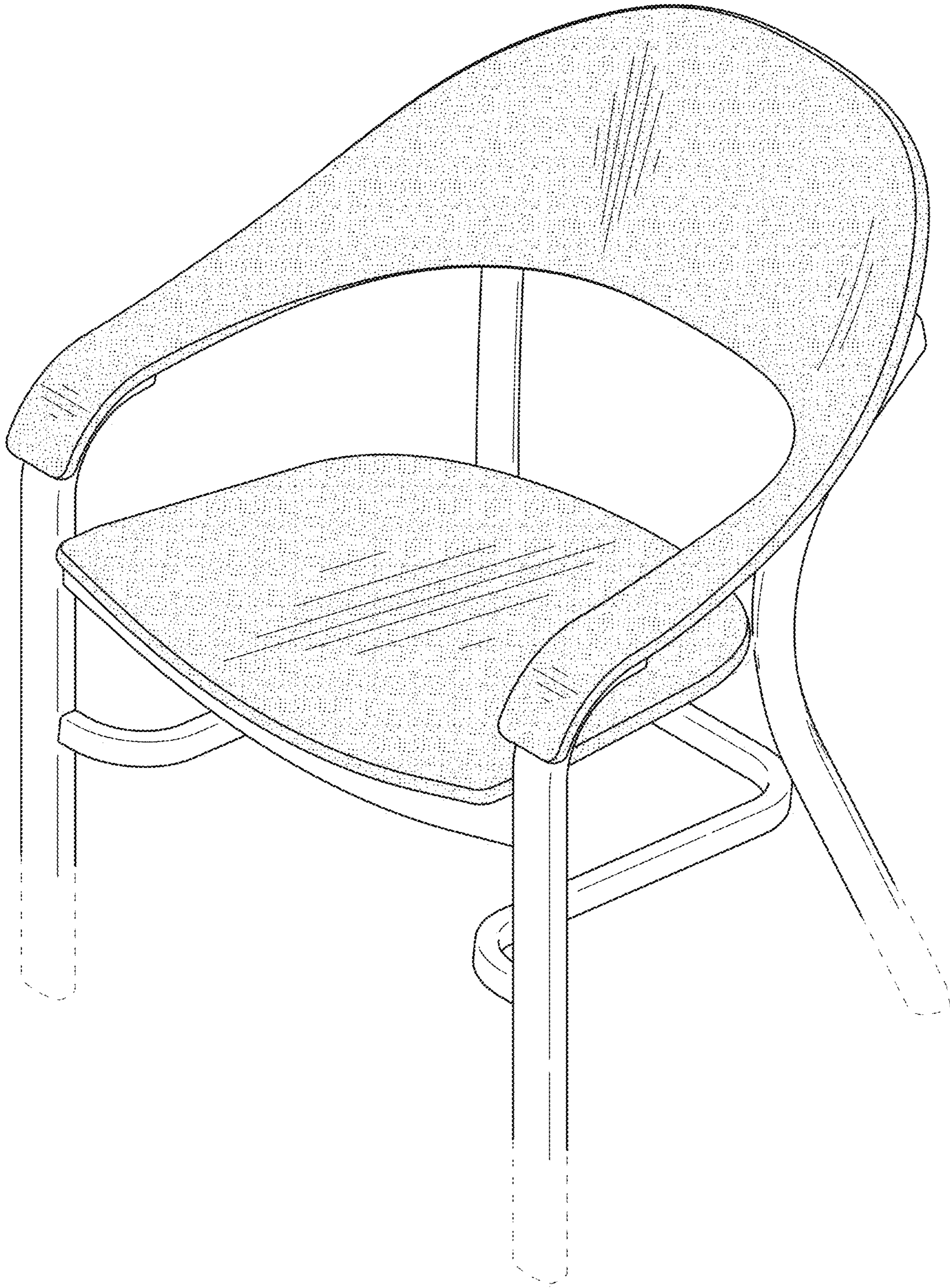


FIG. 7

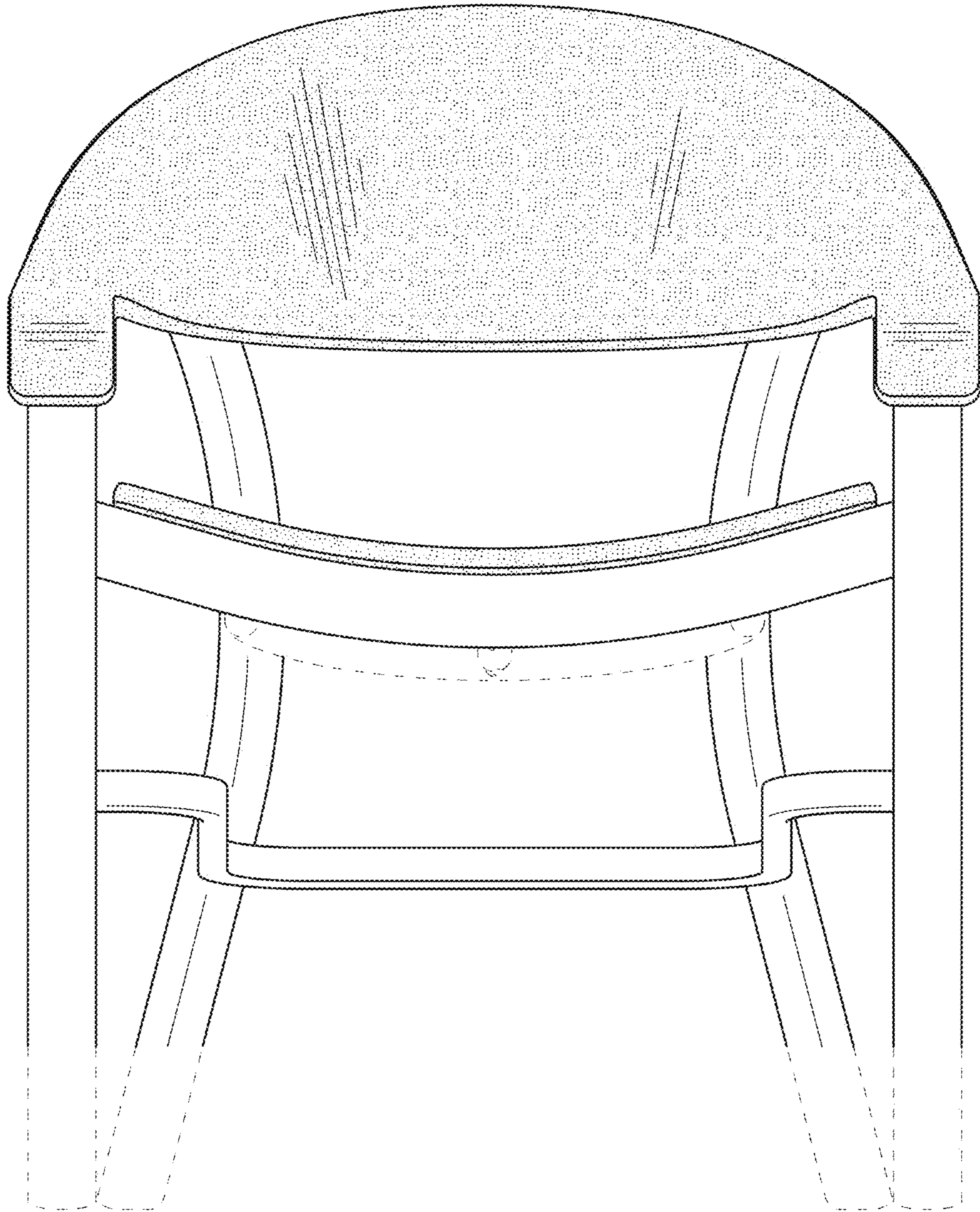


FIG. 8

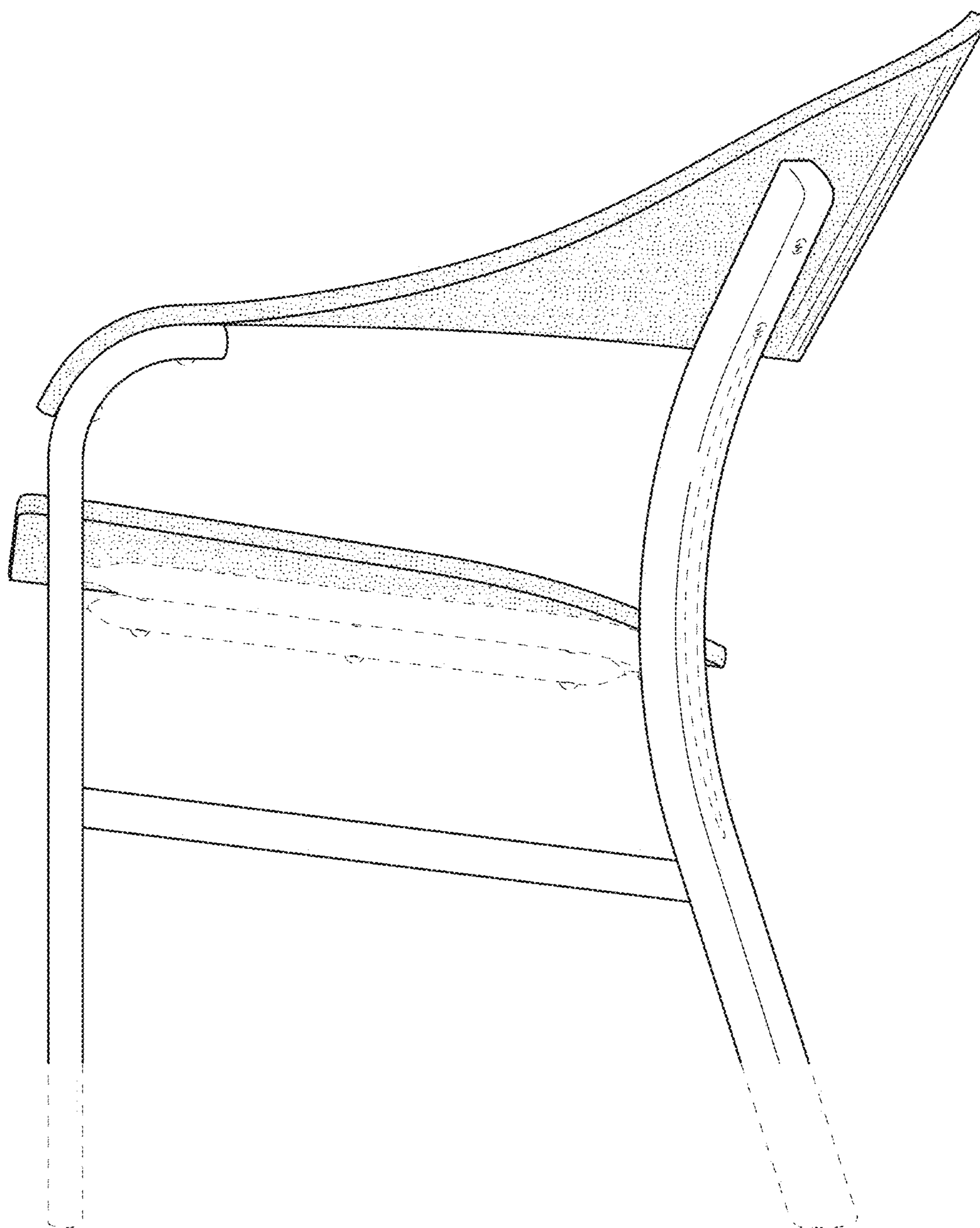


FIG. 9

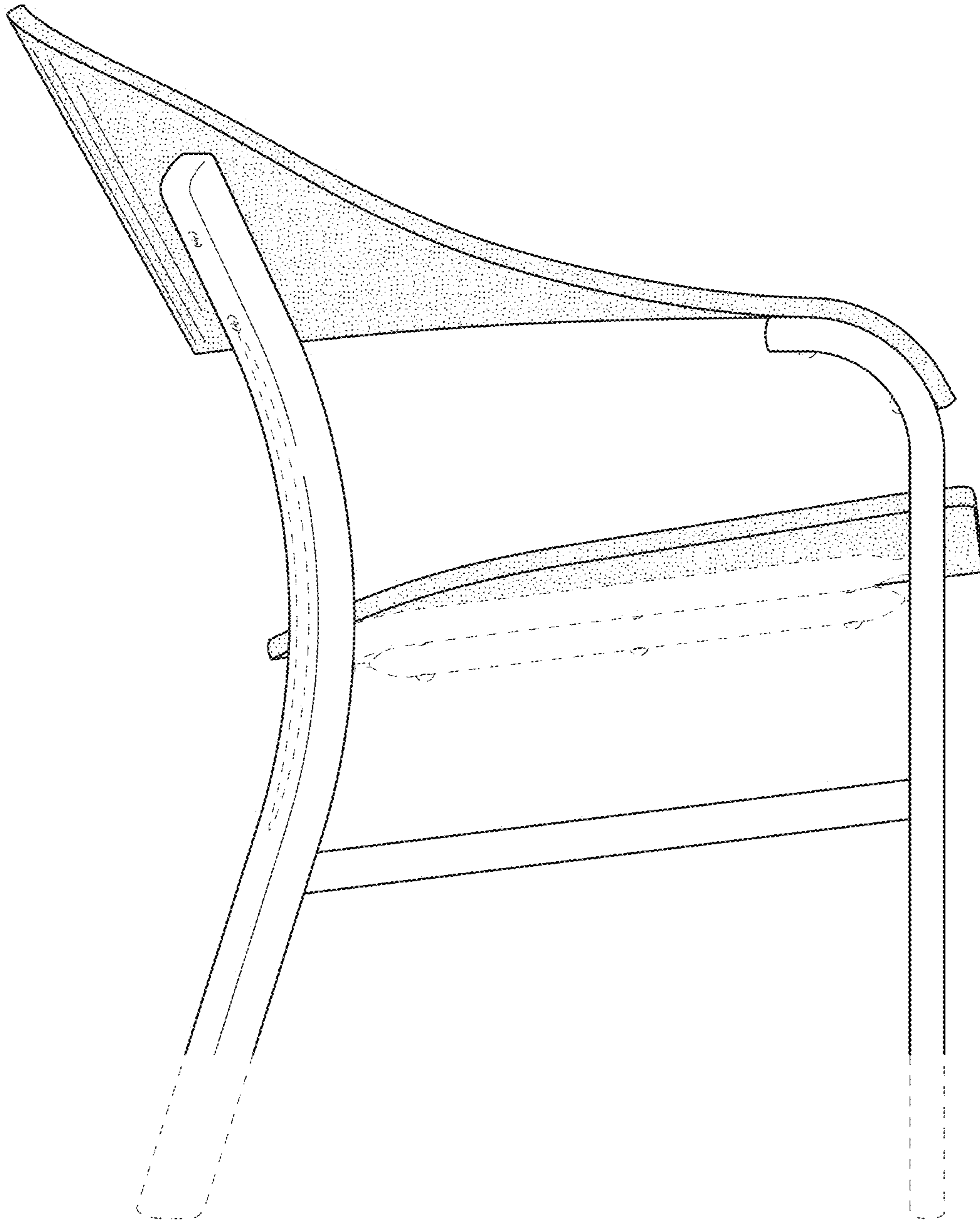


FIG. 10

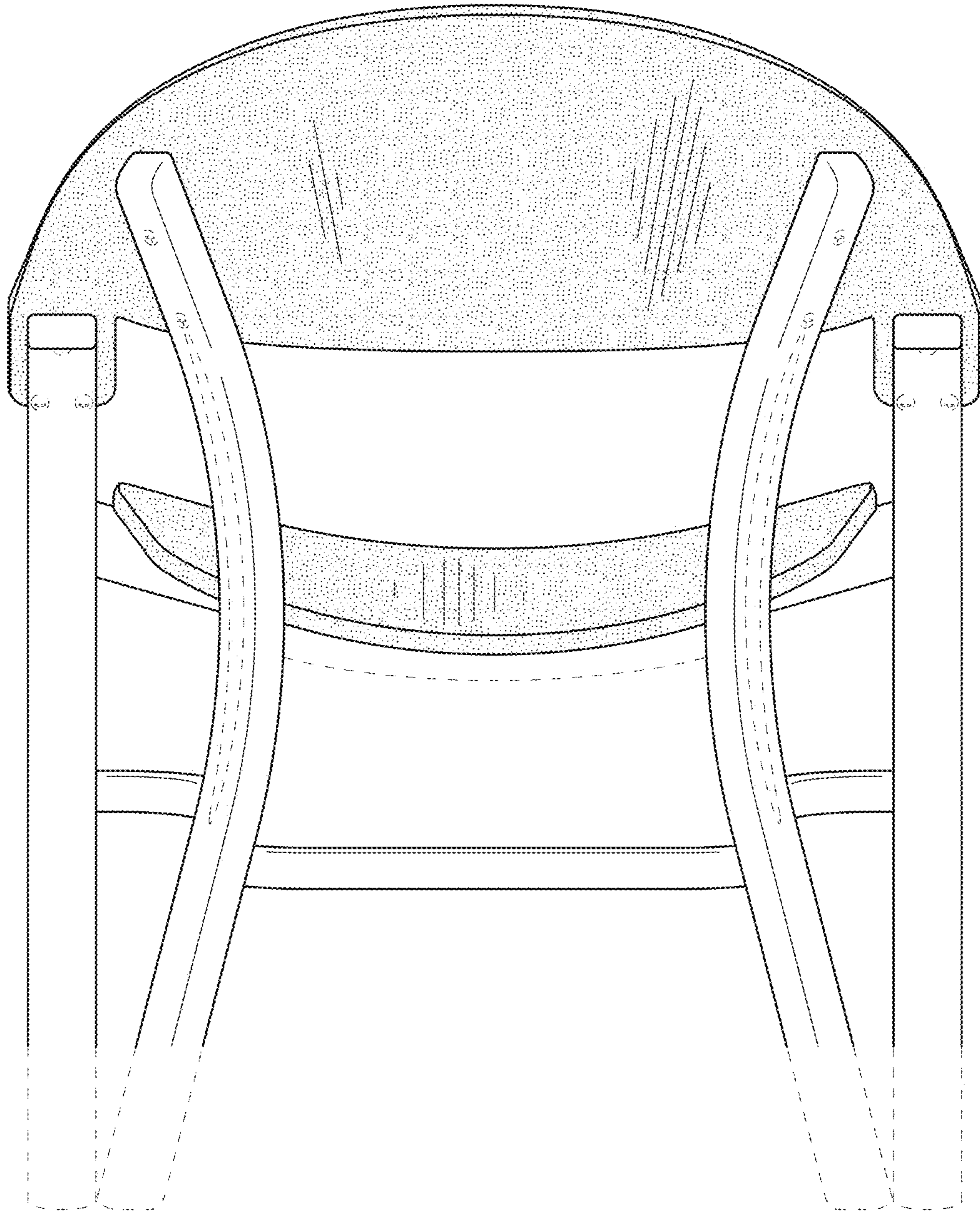


FIG. 11

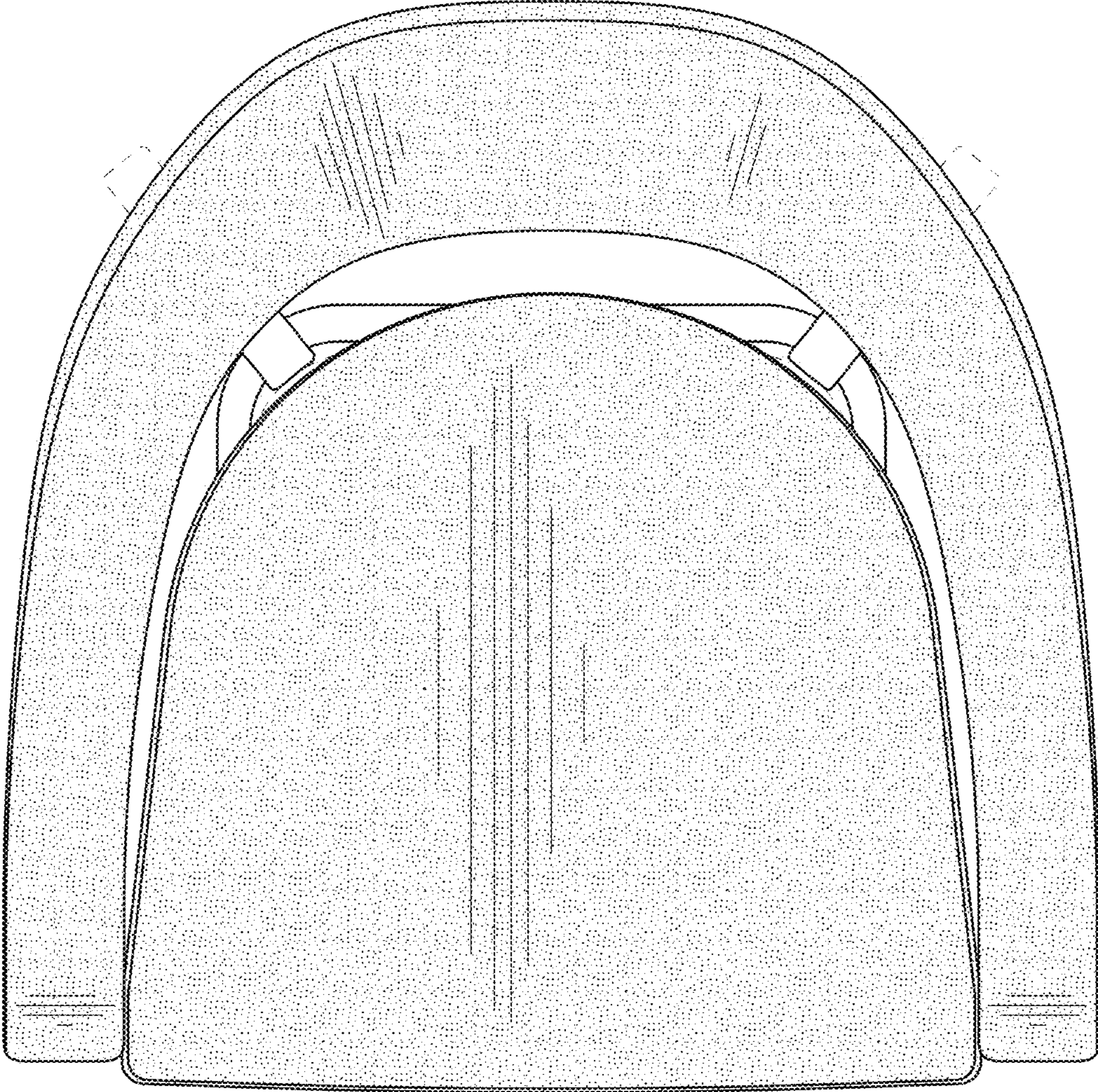


FIG. 12