



US00D876854S

(12) **United States Design Patent**
Baccolini

(10) **Patent No.:** **US D876,854 S**

(45) **Date of Patent:** **** Mar. 3, 2020**

- (54) **SEAT**
- (71) Applicant: **Ares Line S.P.A.**, Carre (VI) (IT)
- (72) Inventor: **Giovanni Baccolini**, Castel San Pietro Terme (IT)
- (73) Assignee: **ARES LINE S.P.A.**, Carre (VI) (IT)
- (**) Term: **15 Years**

4,892,355 A *	1/1990	Fend	A47C 3/12 297/440.22
D349,826 S *	8/1994	Homann	D6/375
D611,740 S *	3/2010	Koh	D6/375
D622,986 S *	9/2010	Kubryk	D6/716
D622,987 S *	9/2010	Kubryk	D6/716
D690,147 S *	9/2013	Meyer	D6/375
D696,032 S *	12/2013	Baccolini	D6/341
D697,746 S *	1/2014	Kubryk	D6/716
D832,017 S *	10/2018	Chadwick	D6/716
D846,932 S *	4/2019	Lampela	D6/716.4

- (21) Appl. No.: **29/662,140**
- (22) Filed: **Sep. 3, 2018**

* cited by examiner

Primary Examiner — R. Johnson

(74) *Attorney, Agent, or Firm* — Fattibene and Fattibene LLC; Paul A. Fattibene

(30) **Foreign Application Priority Data**

Mar. 7, 2018 (EM) 004744290-0001
 Mar. 20, 2018 (EM) 004744290-0002

- (51) **LOC (12) Cl.** **06-01**
- (52) **U.S. Cl.**
USPC **D6/375**

(57) **CLAIM**

The ornamental design for a seat, as shown and described.

- (58) **Field of Classification Search**
USPC D6/334, 335, 349, 370–376, 379, 380
CPC A47C 1/00; A47C 3/00; A47C 3/04; A47C 3/12; A47C 5/04; A47C 5/14; A47C 7/02; A47C 7/16; A47C 7/18; A47C 7/24; A47C 7/36; A47C 7/40
See application file for complete search history.

DESCRIPTION

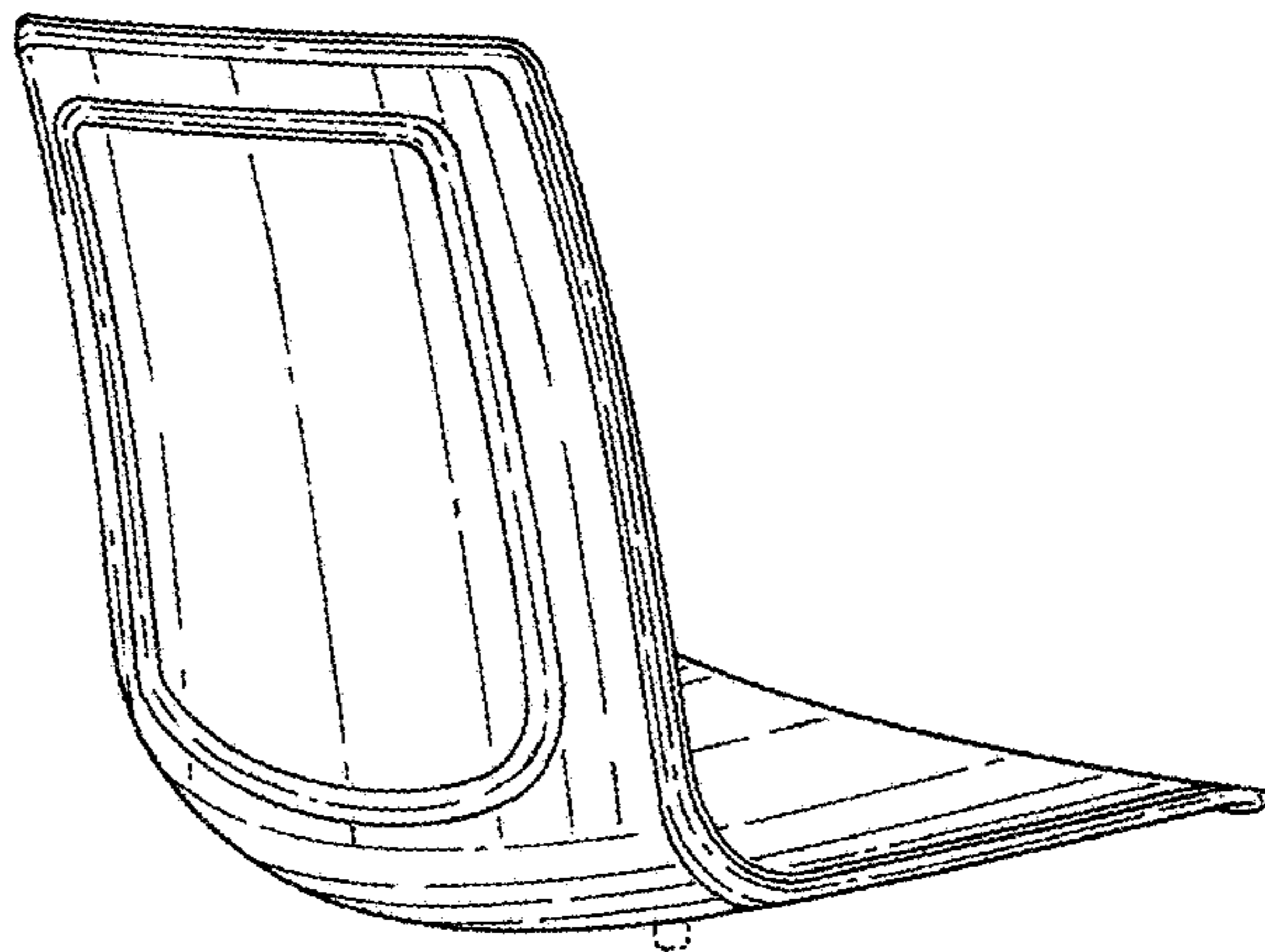
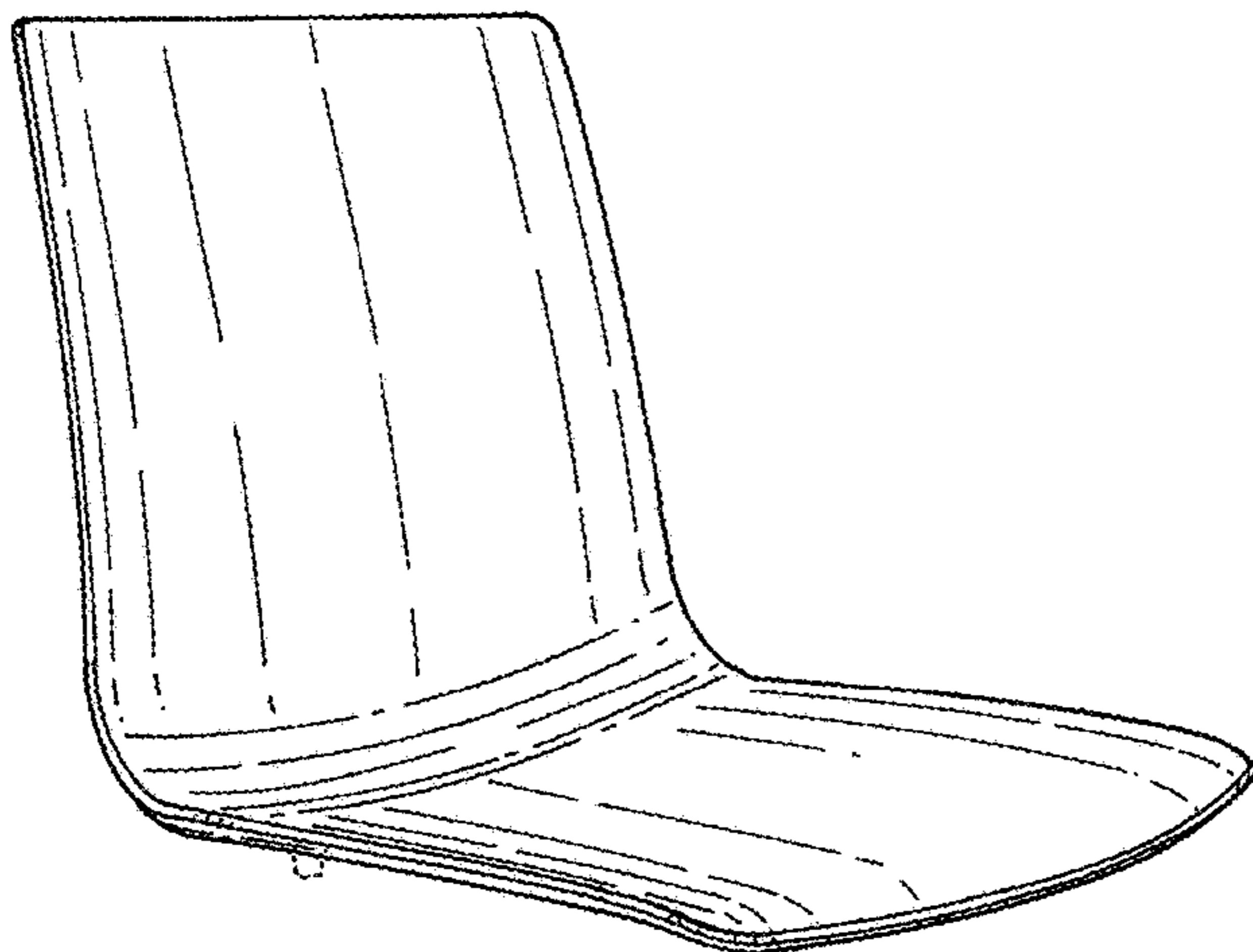
FIG. 1 is a front perspective view of a seat showing the new design;
 FIG. 2 is a rear perspective view thereof;
 FIG. 3 is a front elevation view thereof;
 FIG. 4 is a rear elevation view thereof;
 FIG. 5 is a left side elevation view thereof;
 FIG. 6 is a right side elevation view thereof;
 FIG. 7 is a top plan view thereof; and,
 FIG. 8 is a bottom plan view thereof.
 The broken lines shown are for illustrative purposes only and form no part of the claimed design.

(56) **References Cited**

U.S. PATENT DOCUMENTS

D192,165 S *	2/1962	Brandon	D6/375
D228,483 S *	10/1973	Sebel	D6/375

1 Claim, 8 Drawing Sheets



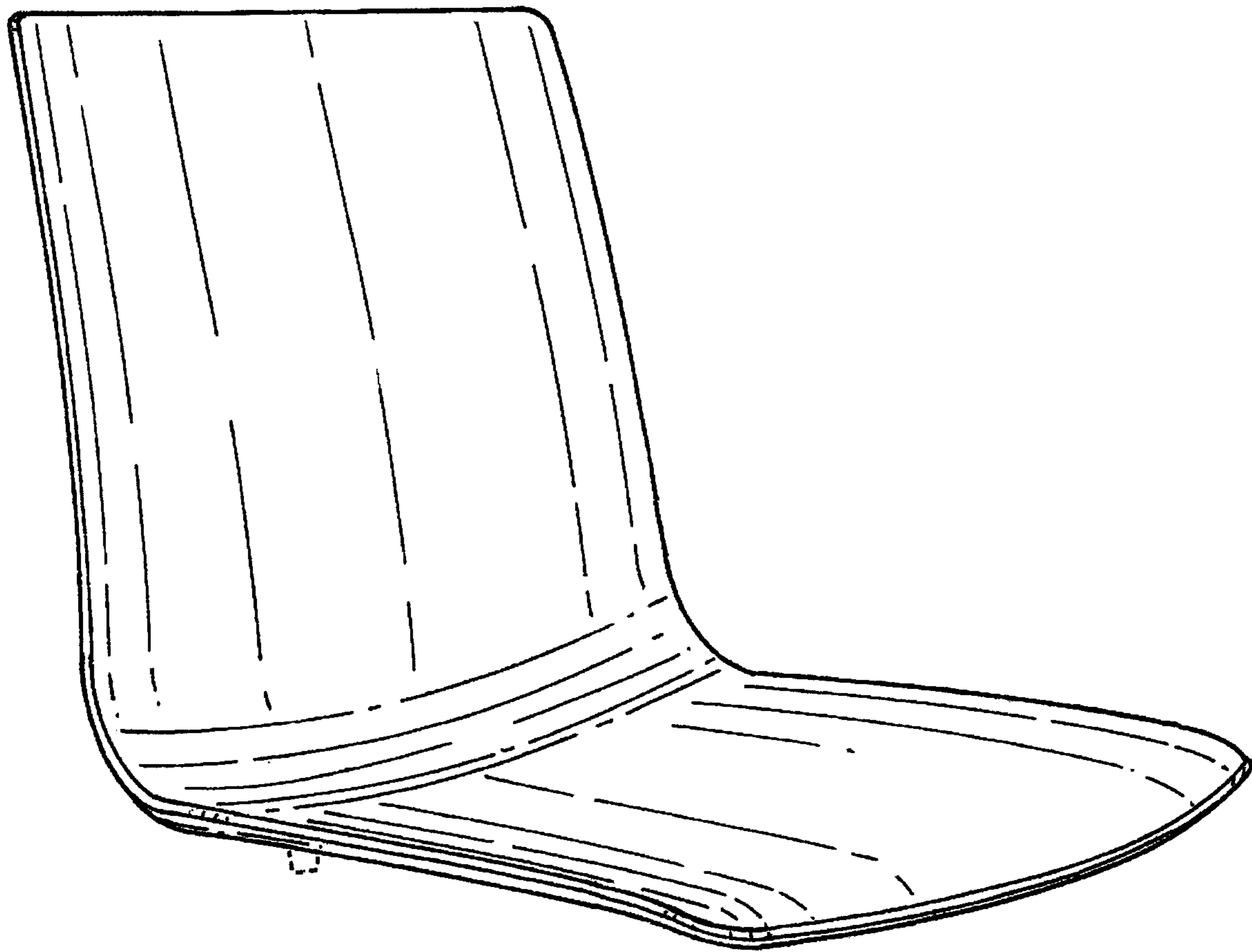


Fig. 1

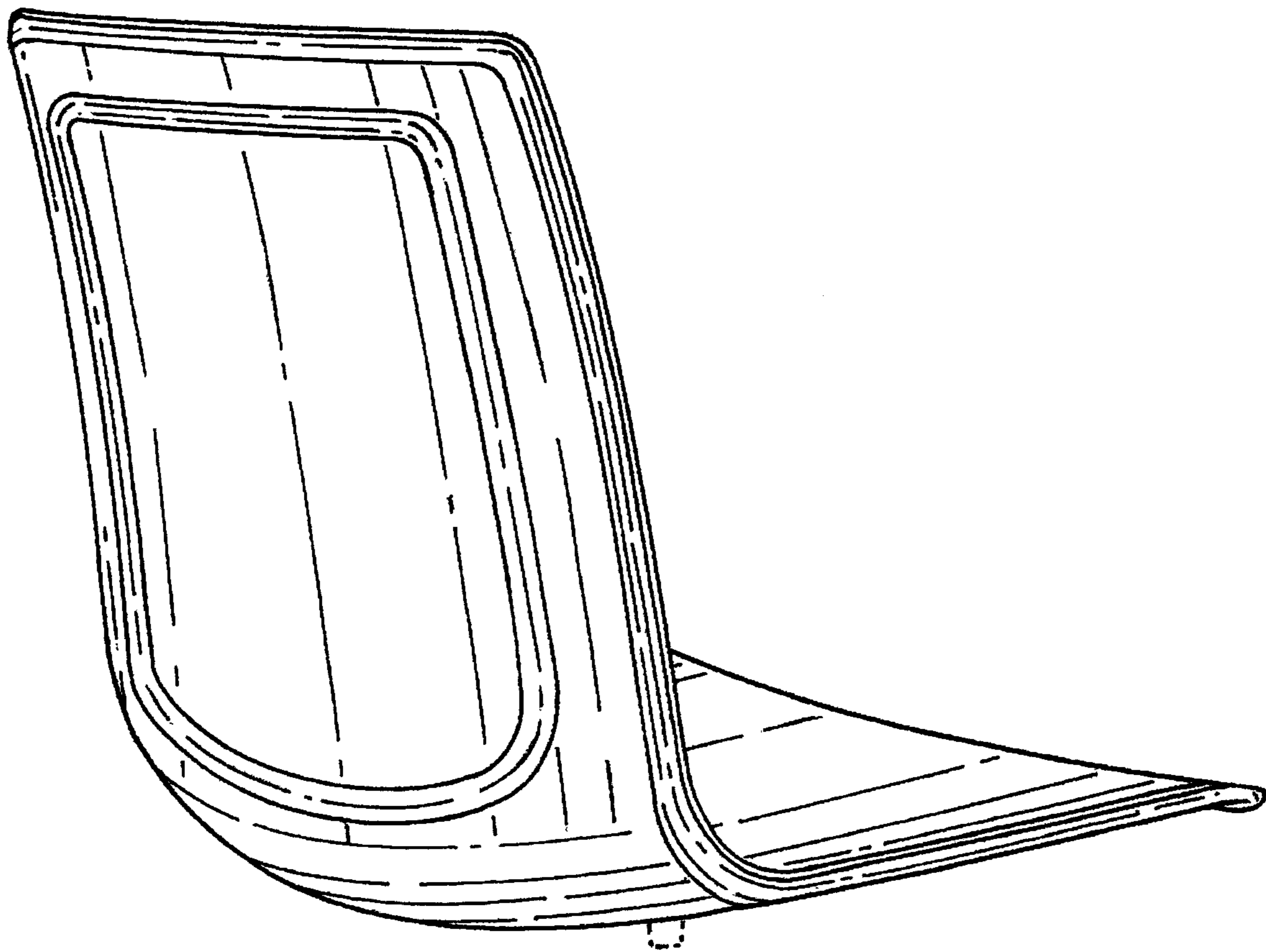


Fig. 2

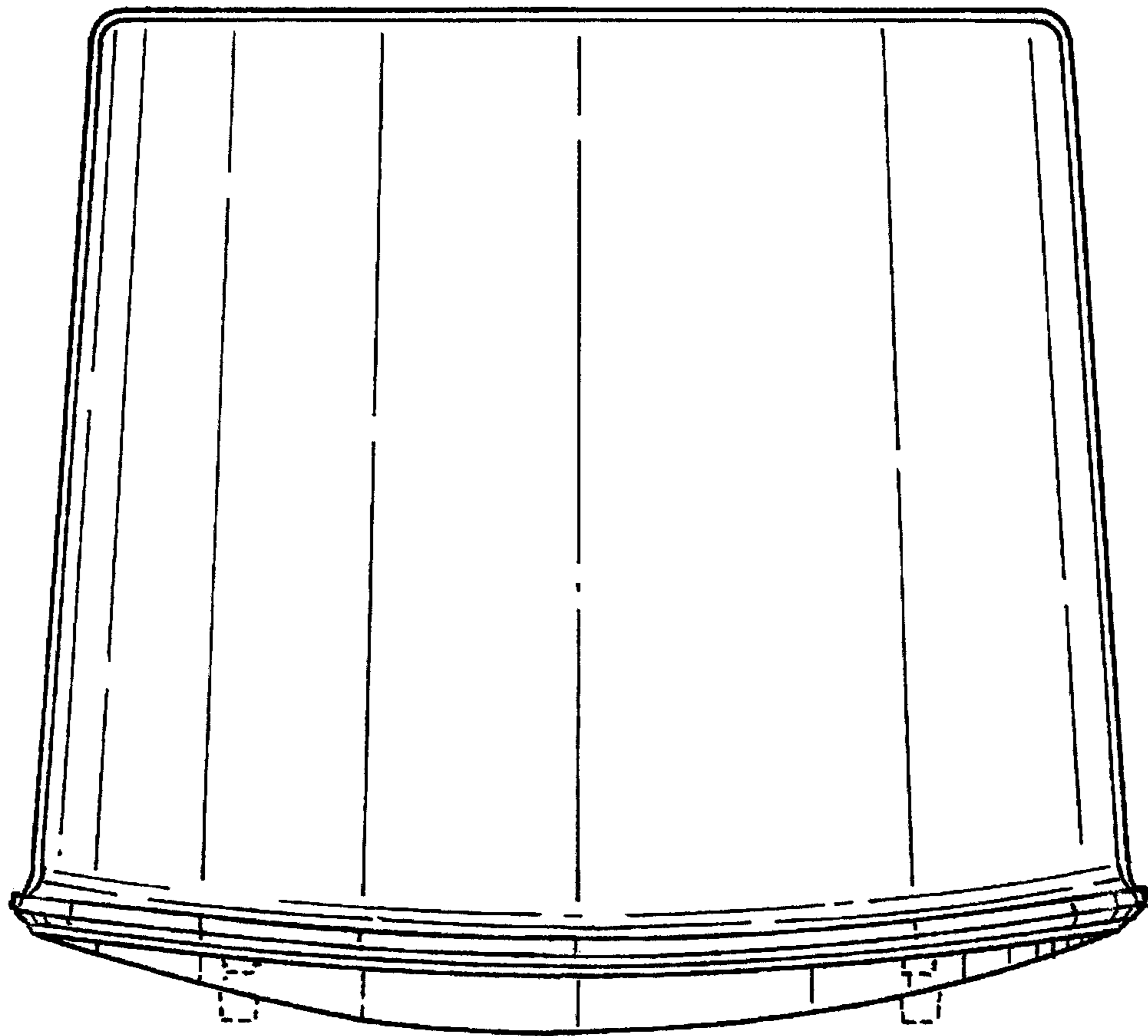


Fig. 3

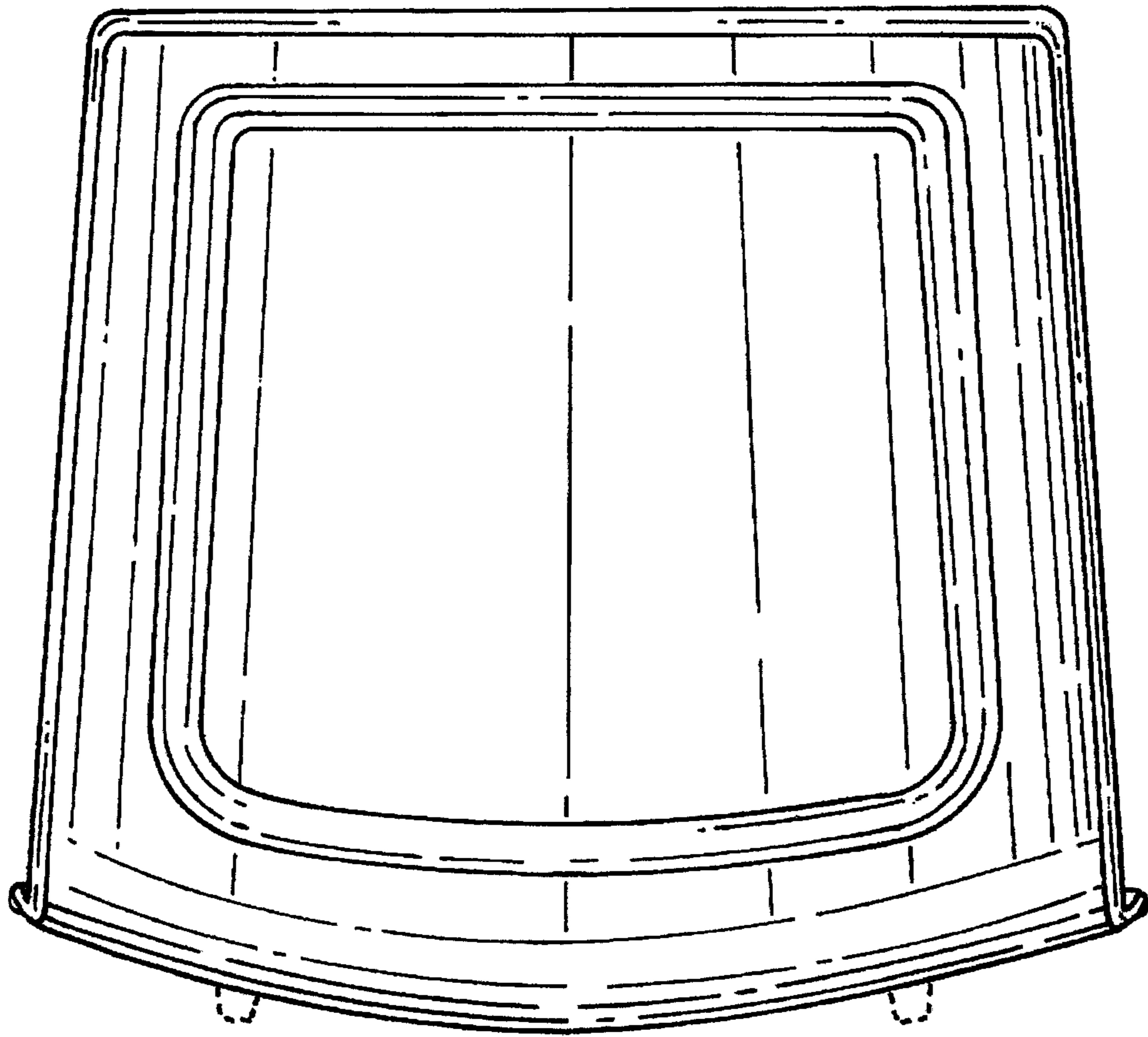


Fig. 4

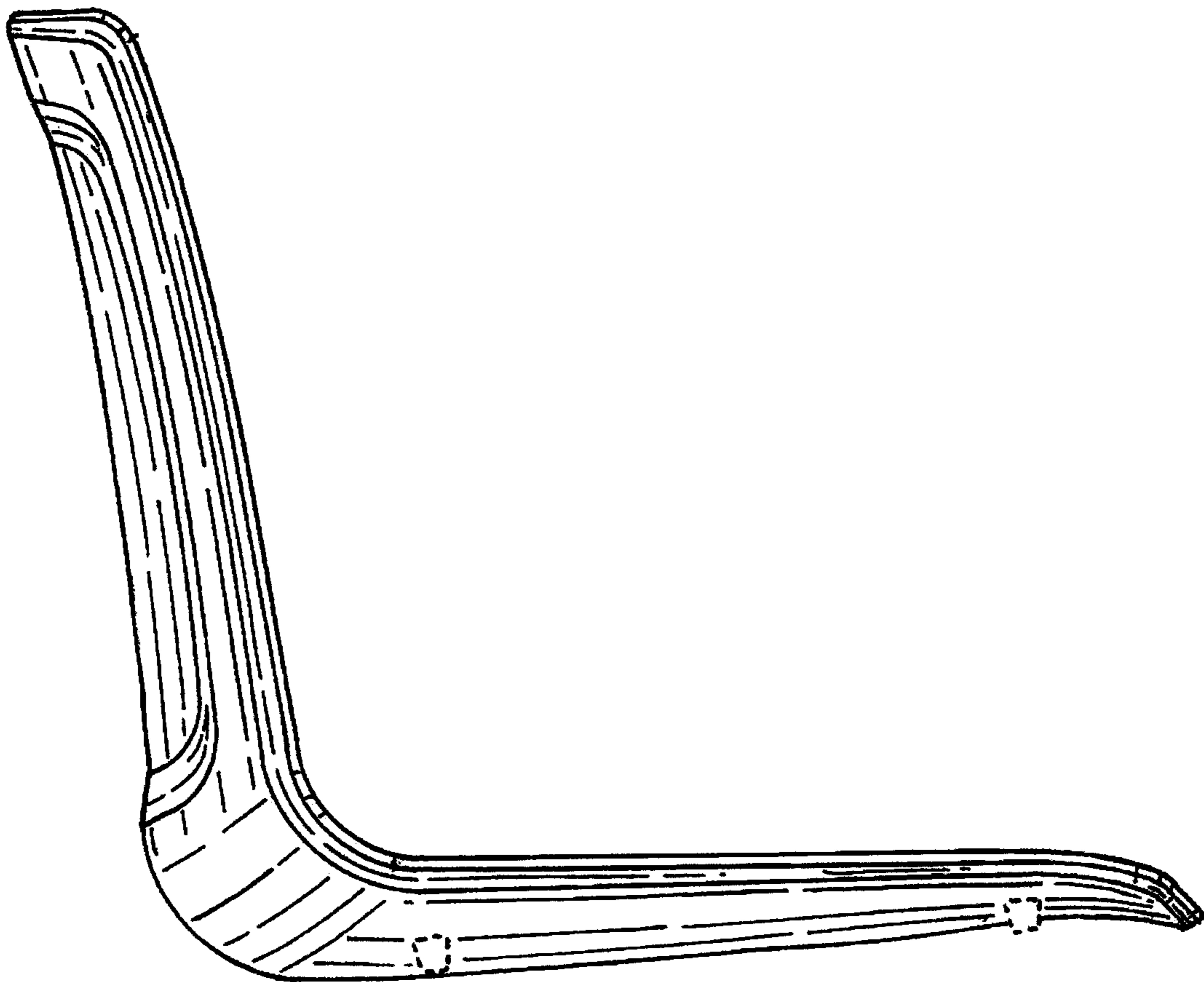


Fig. 5

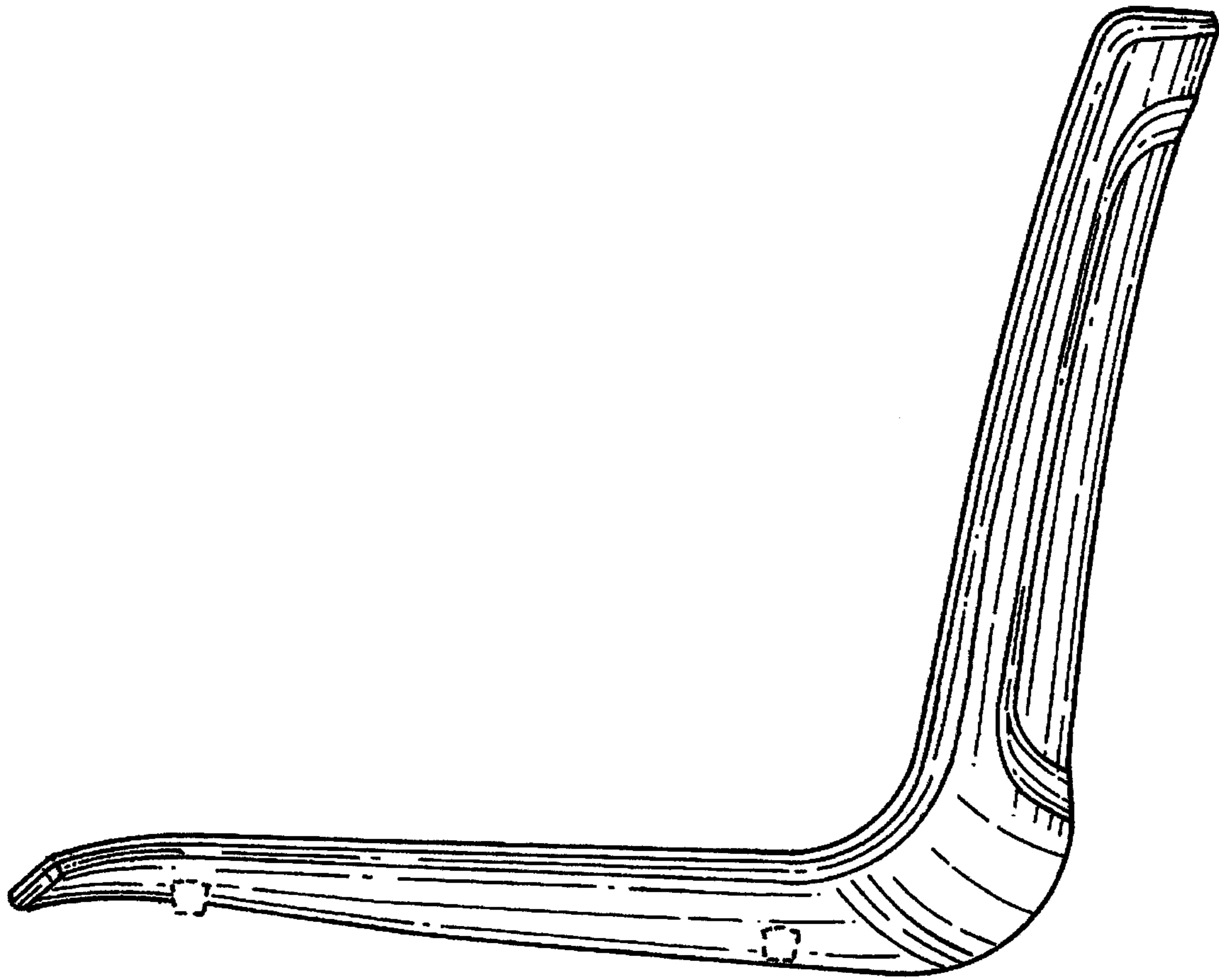


Fig. 6

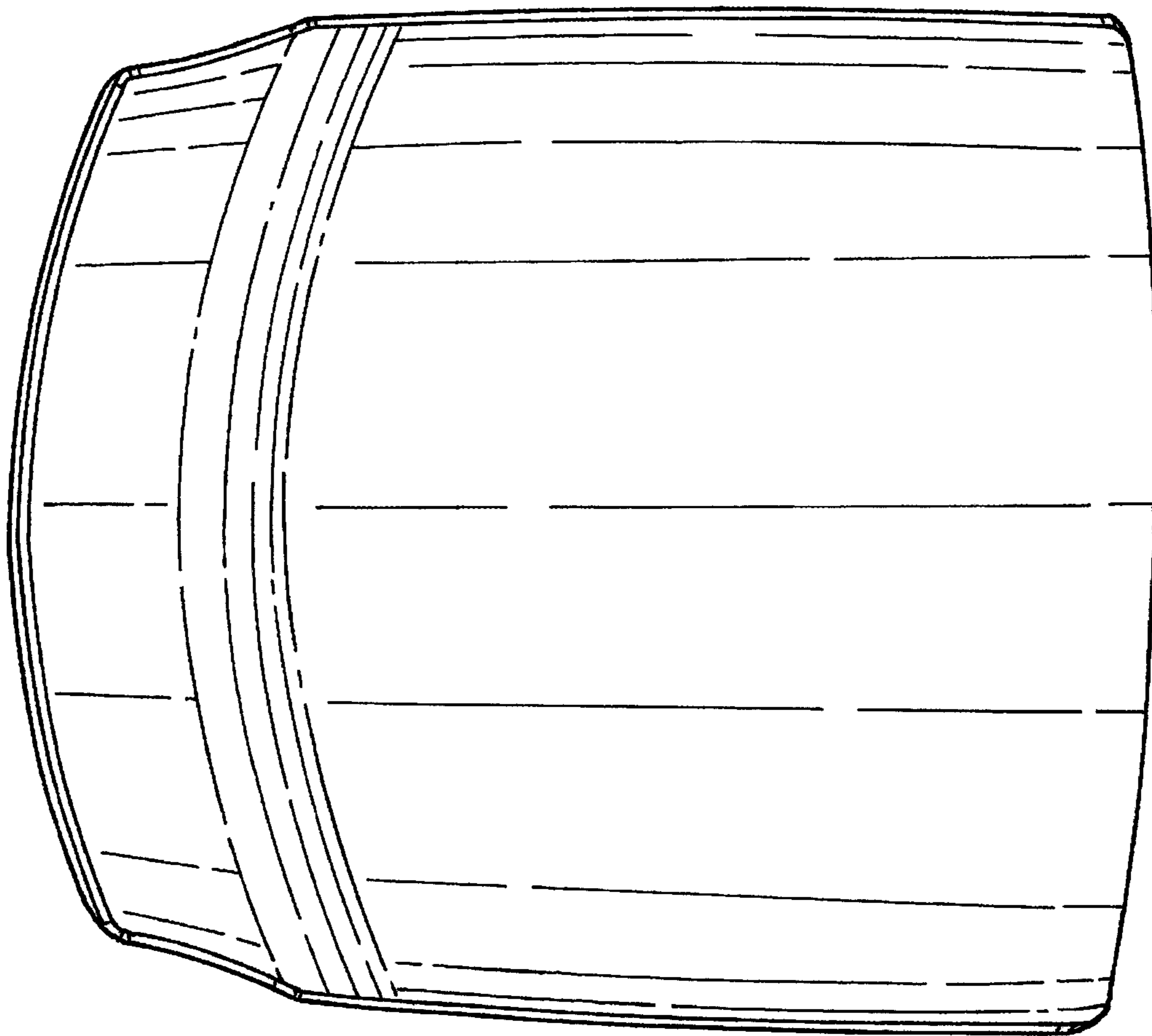


Fig. 7

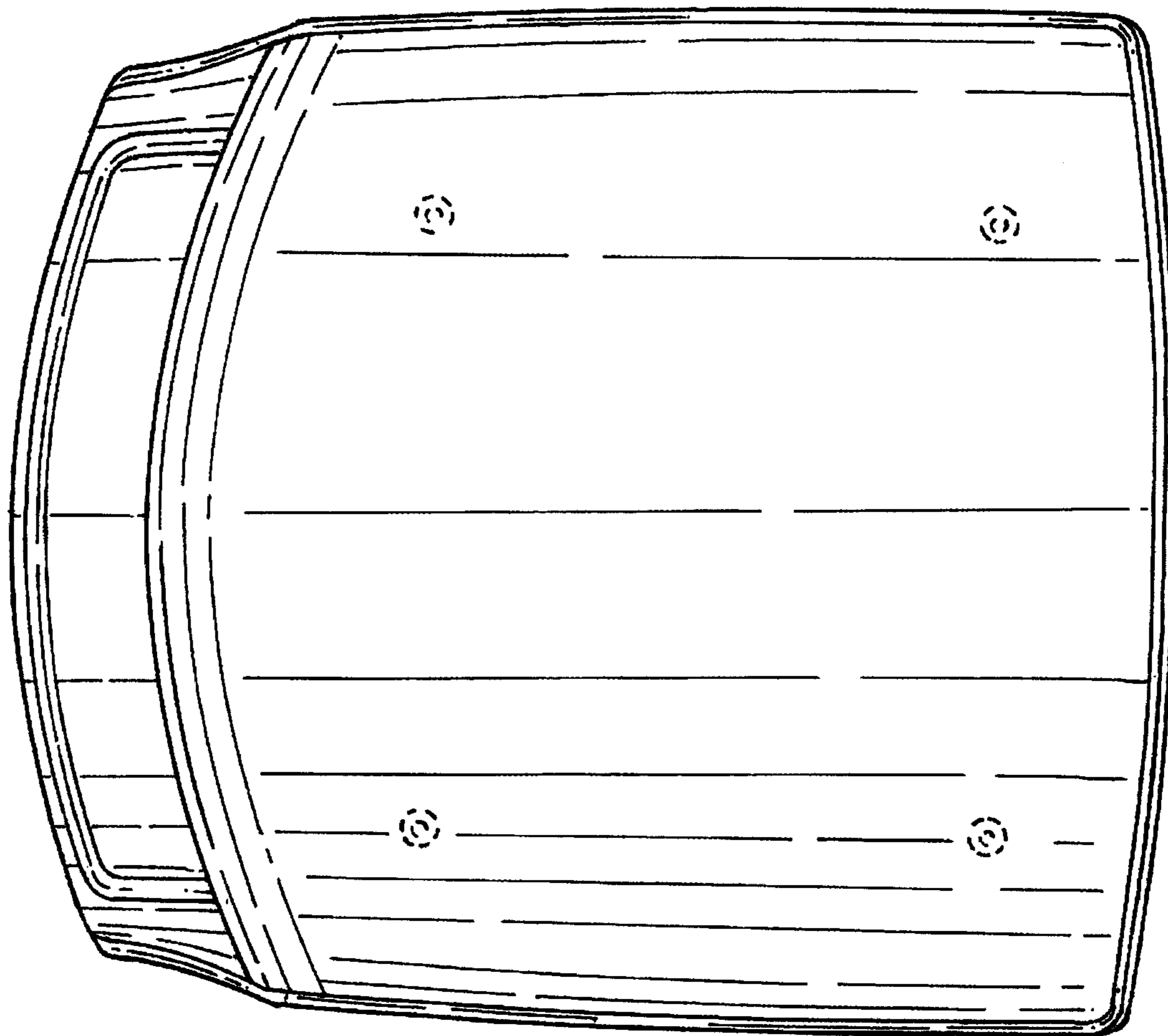


Fig. 8