



US00D876853S

(12) **United States Design Patent**  
**Jones**

(10) **Patent No.:** **US D876,853 S**  
(45) **Date of Patent:** **\*\* Mar. 3, 2020**

- (54) **CHAIR**
- (71) Applicant: **Williams-Sonoma, Inc.**, San Francisco, CA (US)
- (72) Inventor: **Ana Jones**, Brooklyn, NY (US)
- (73) Assignee: **Williams-Sonoma, Inc.**, San Francisco, CA (US)
- (\*\*) Term: **15 Years**
- (21) Appl. No.: **29/637,020**
- (22) Filed: **Feb. 13, 2018**
- (51) **LOC (12) Cl.** ..... **06-01**
- (52) **U.S. Cl.**  
USPC ..... **D6/374**
- (58) **Field of Classification Search**  
USPC ..... D6/334-336, 360, 366, 371, 372, 373, D6/374, 375, 716, 716.1, 716.2, 716.3, D6/716.4  
CPC .... A47C 3/04; A47C 3/12; A47C 4/02; A47C 4/028; A47C 4/03; A47C 5/12; A47C 7/16; A47C 7/18; A47C 7/24  
See application file for complete search history.

- D770,794 S \* 11/2016 Hayon ..... D6/375
- D785,962 S \* 5/2017 Muller ..... D6/360
- D808,669 S \* 1/2018 Li ..... D6/334
- D811,757 S \* 3/2018 Moscheri ..... D6/334
- D825,949 S \* 8/2018 Bouroullec ..... D6/374

\* cited by examiner

*Primary Examiner* — Mimoso De  
(74) *Attorney, Agent, or Firm* — Cook Alex Ltd.; R. Blake Johnston

(57) **CLAIM**

The ornamental design for a chair, as shown and described.

**DESCRIPTION**

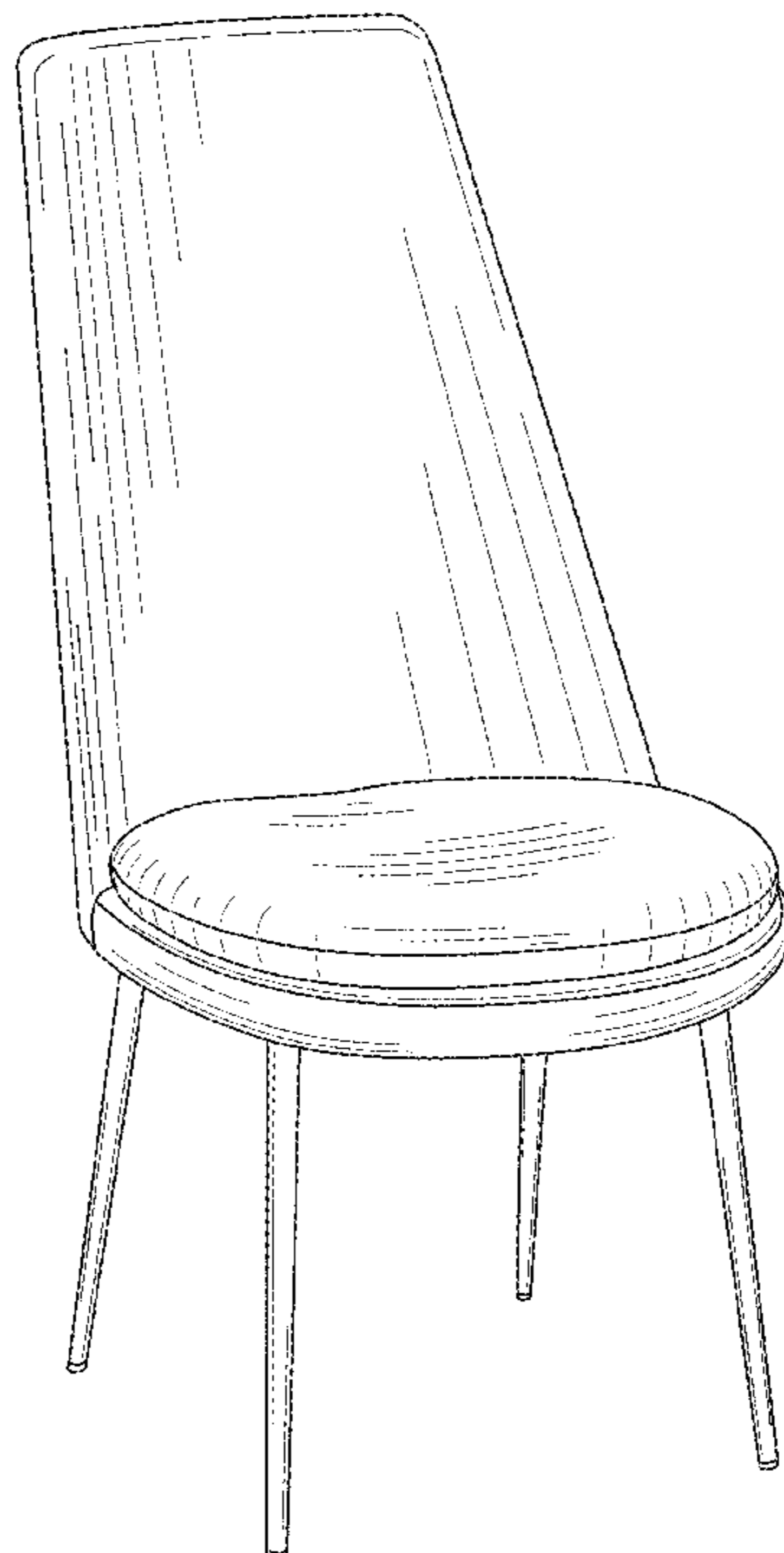
FIG. 1 is a perspective view of a first embodiment of the chair;  
 FIG. 2 is a front elevational view thereof;  
 FIG. 3 is a rear elevational view thereof;  
 FIG. 4 is a left side elevational view thereof, the opposite side of which is a mirror image;  
 FIG. 5 is a top plan view thereof;  
 FIG. 6 is a bottom plan view thereof;  
 FIG. 7 is a perspective view of a second embodiment of the chair;  
 FIG. 8 is a front elevational view thereof;  
 FIG. 9 is a rear elevational view thereof;  
 FIG. 10 is a left side elevational view thereof, the opposite side of which is a mirror image;  
 FIG. 11 is a top plan view thereof; and  
 FIG. 12 is a bottom plan view thereof.  
 The broken lines shown in the drawings are for illustrative purposes only and form no part of the claimed design.

**1 Claim, 9 Drawing Sheets**

(56) **References Cited**

U.S. PATENT DOCUMENTS

- D206,713 S \* 1/1967 Durko ..... D6/375
- 3,695,693 A \* 10/1972 Acton ..... A47C 3/04  
297/239
- D390,369 S \* 2/1998 Breen ..... D6/366
- D600,028 S \* 9/2009 Starck ..... D6/334
- D672,981 S \* 12/2012 Kubryk ..... D6/374
- D766,005 S \* 9/2016 Ciani ..... D6/374



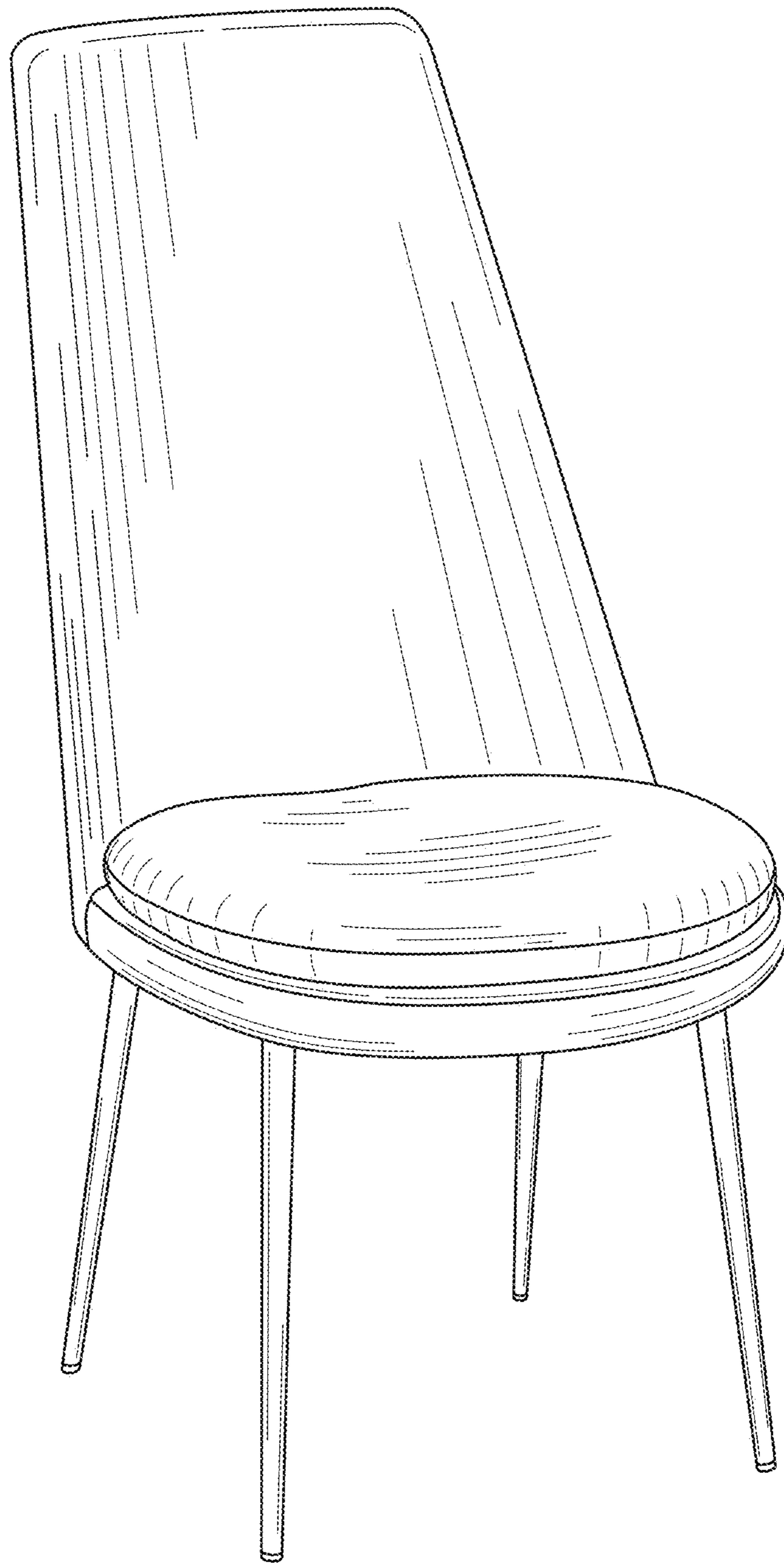


FIG. 1

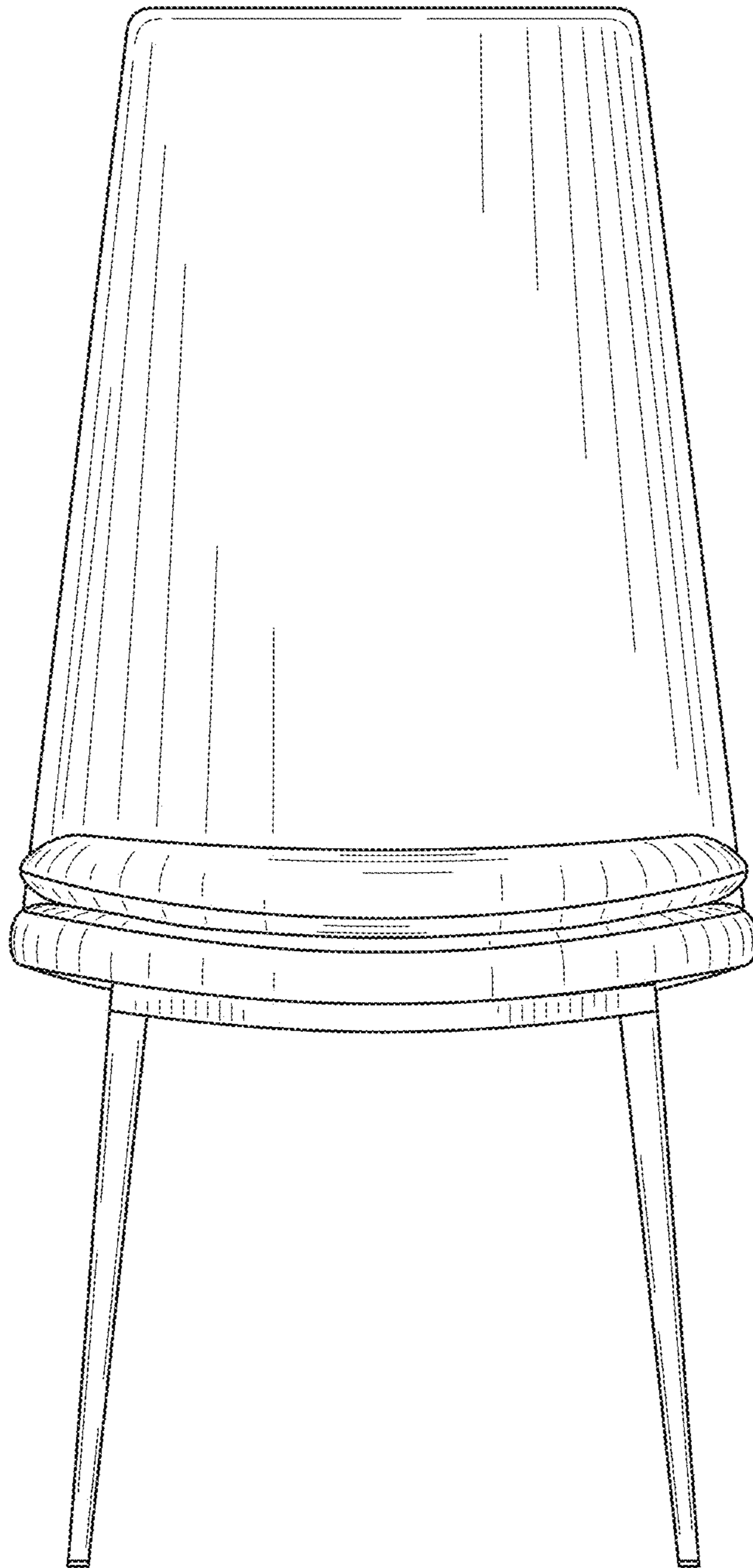


FIG. 2

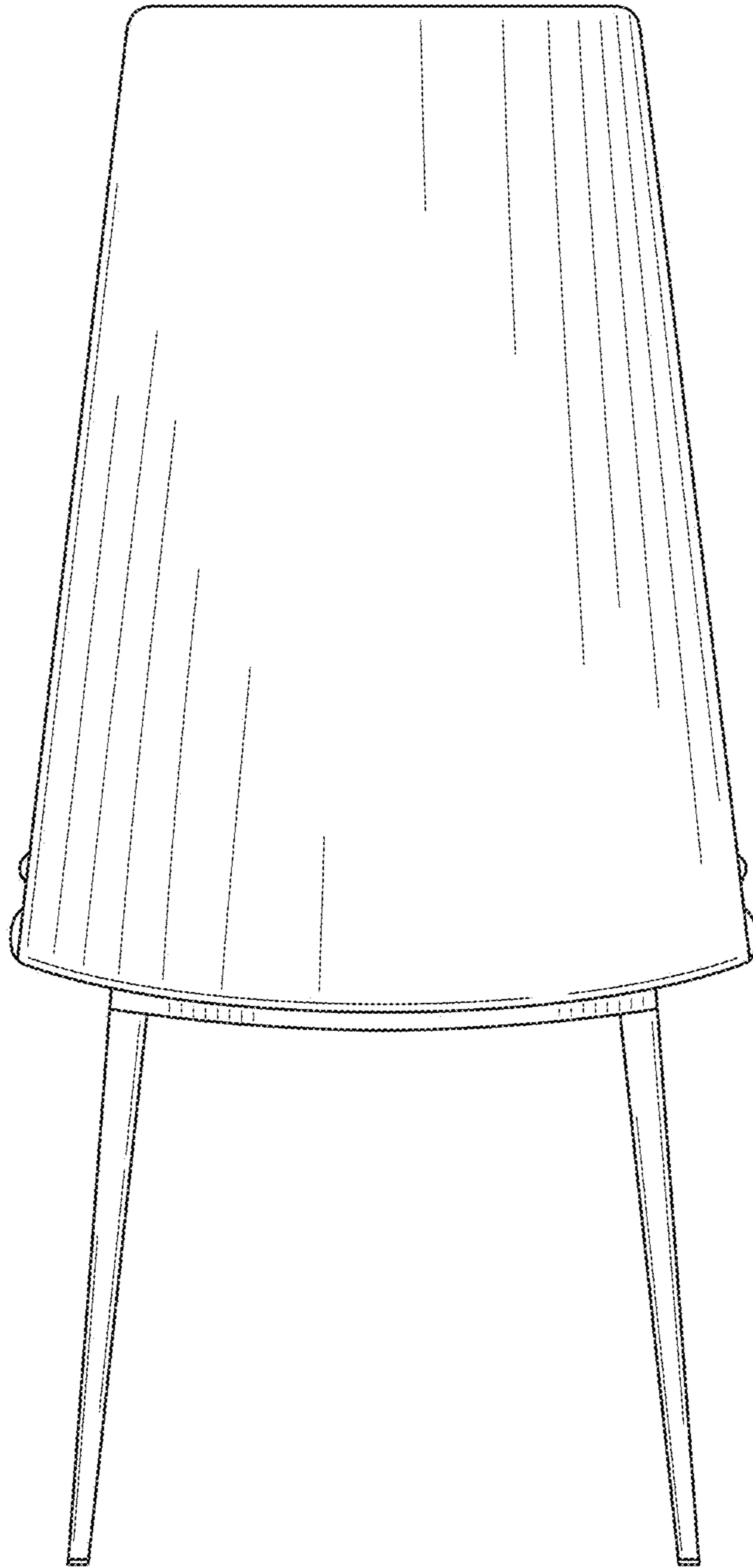


FIG. 3

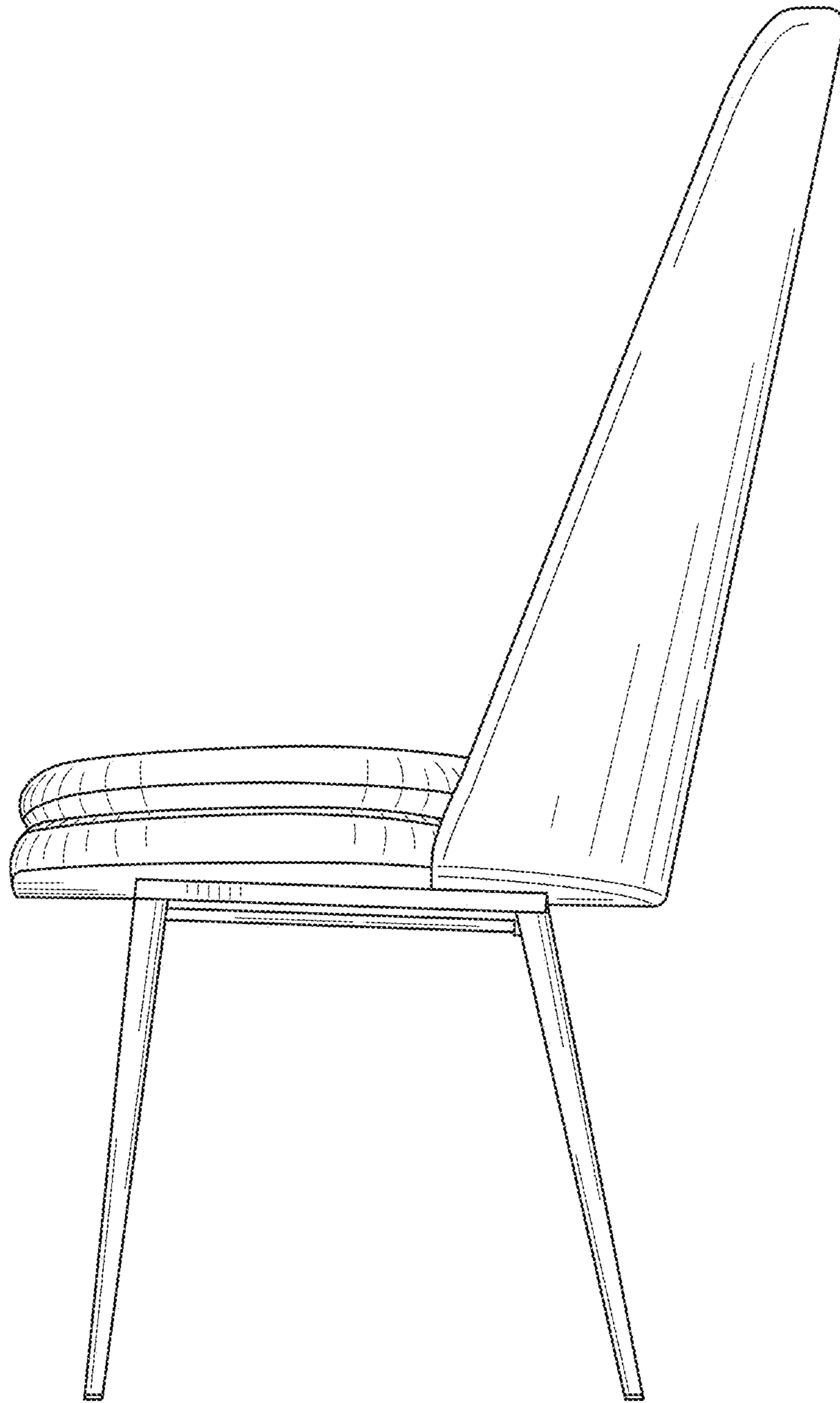


FIG. 4

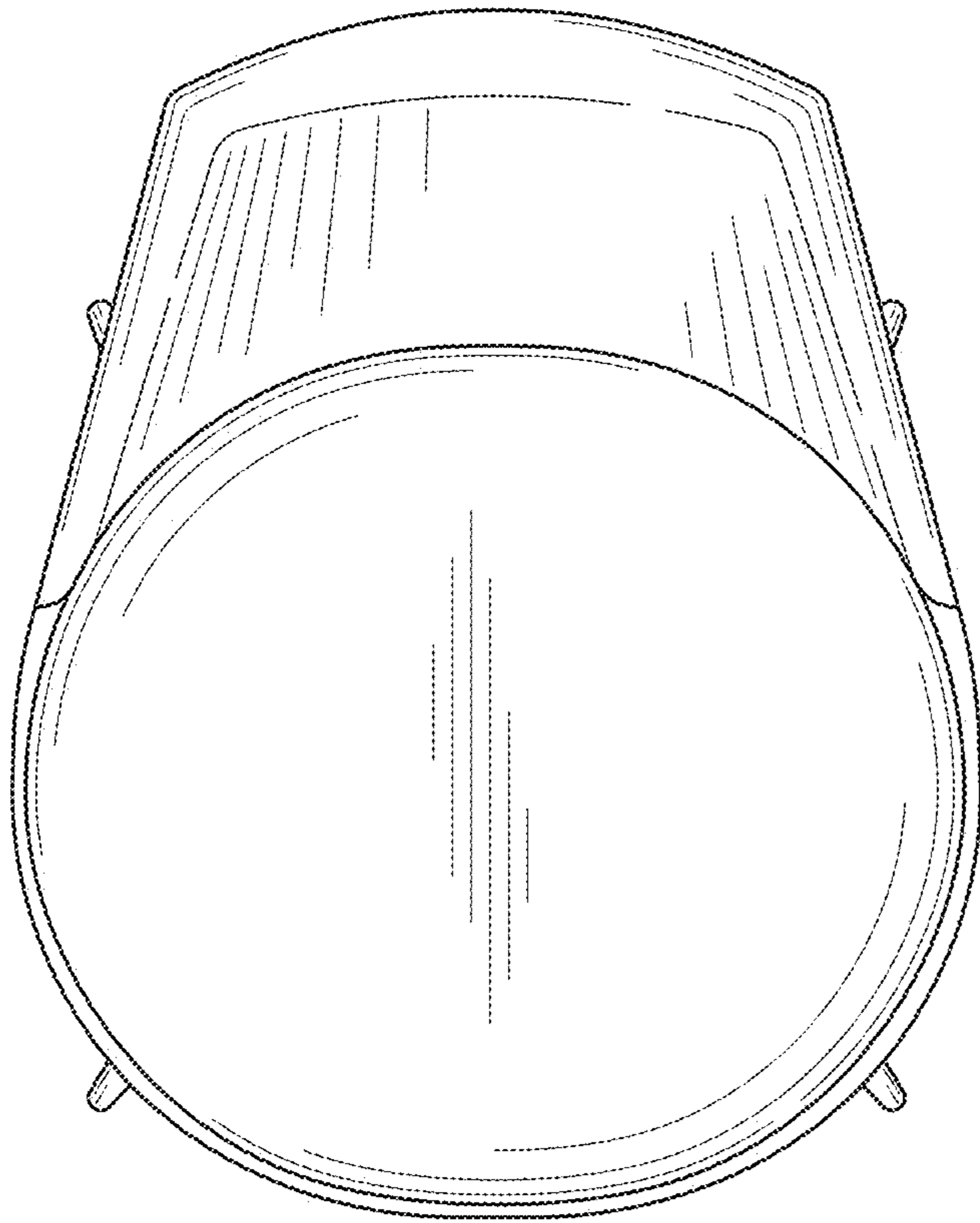


FIG. 5

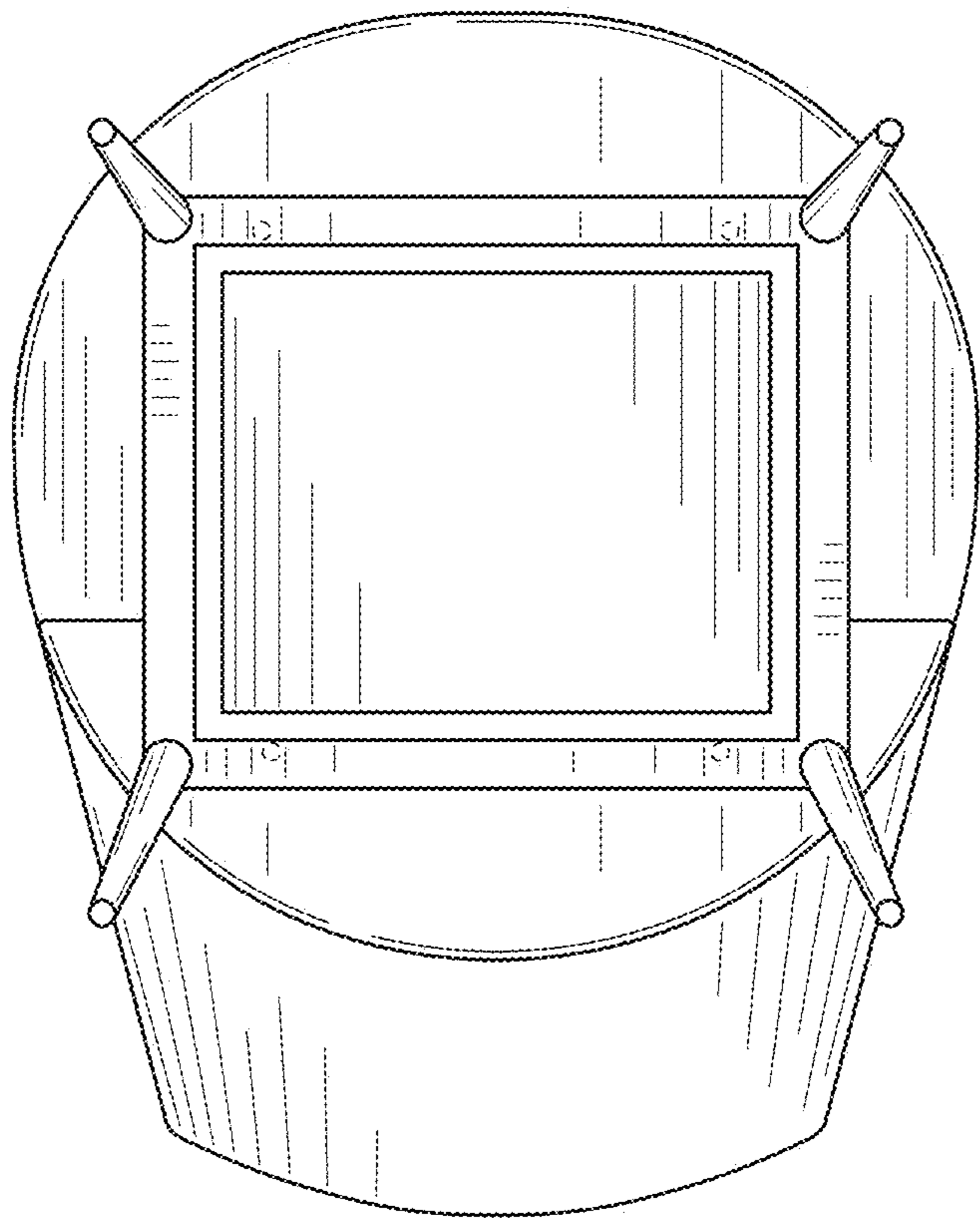


FIG. 6

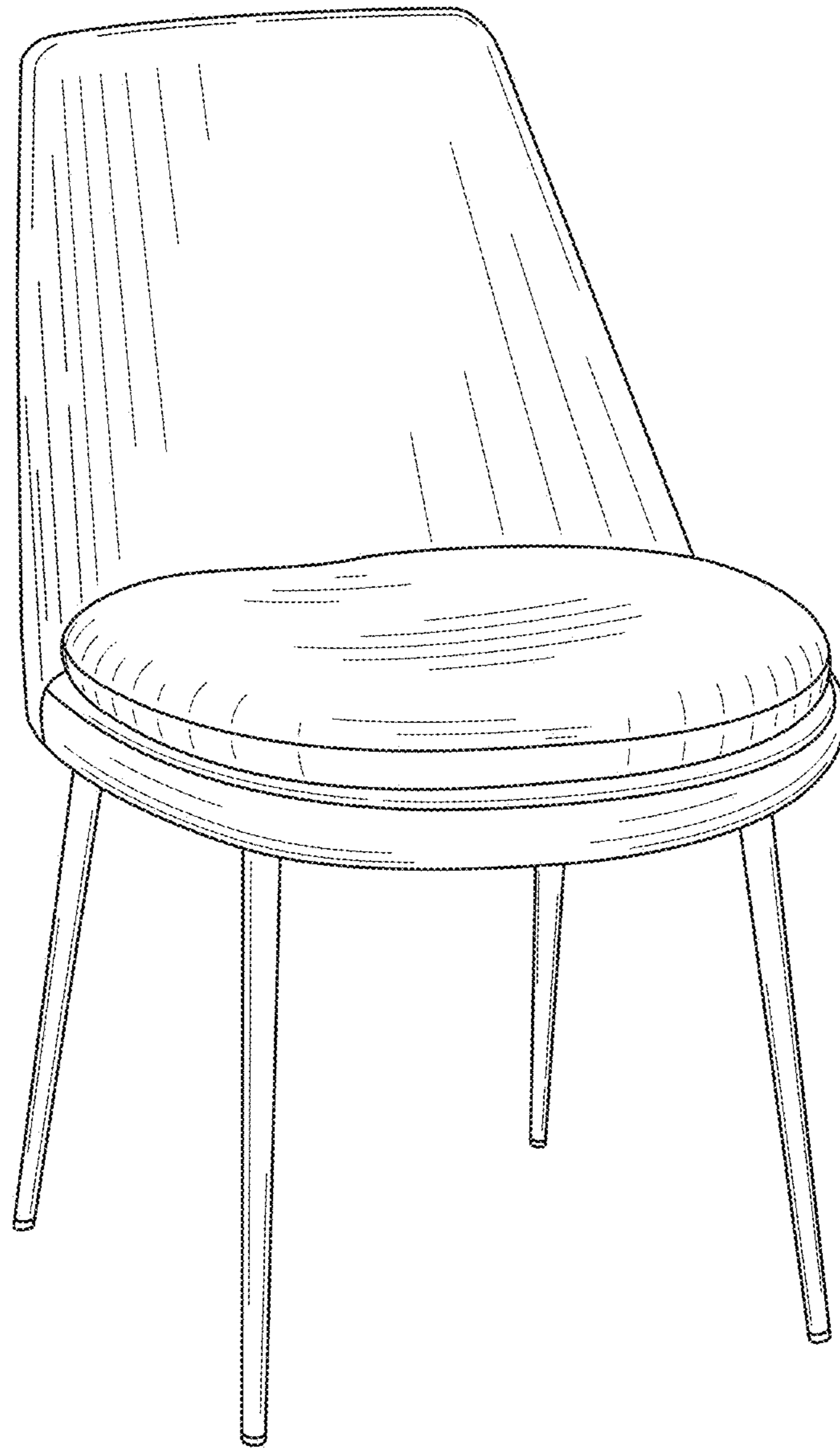


FIG. 7

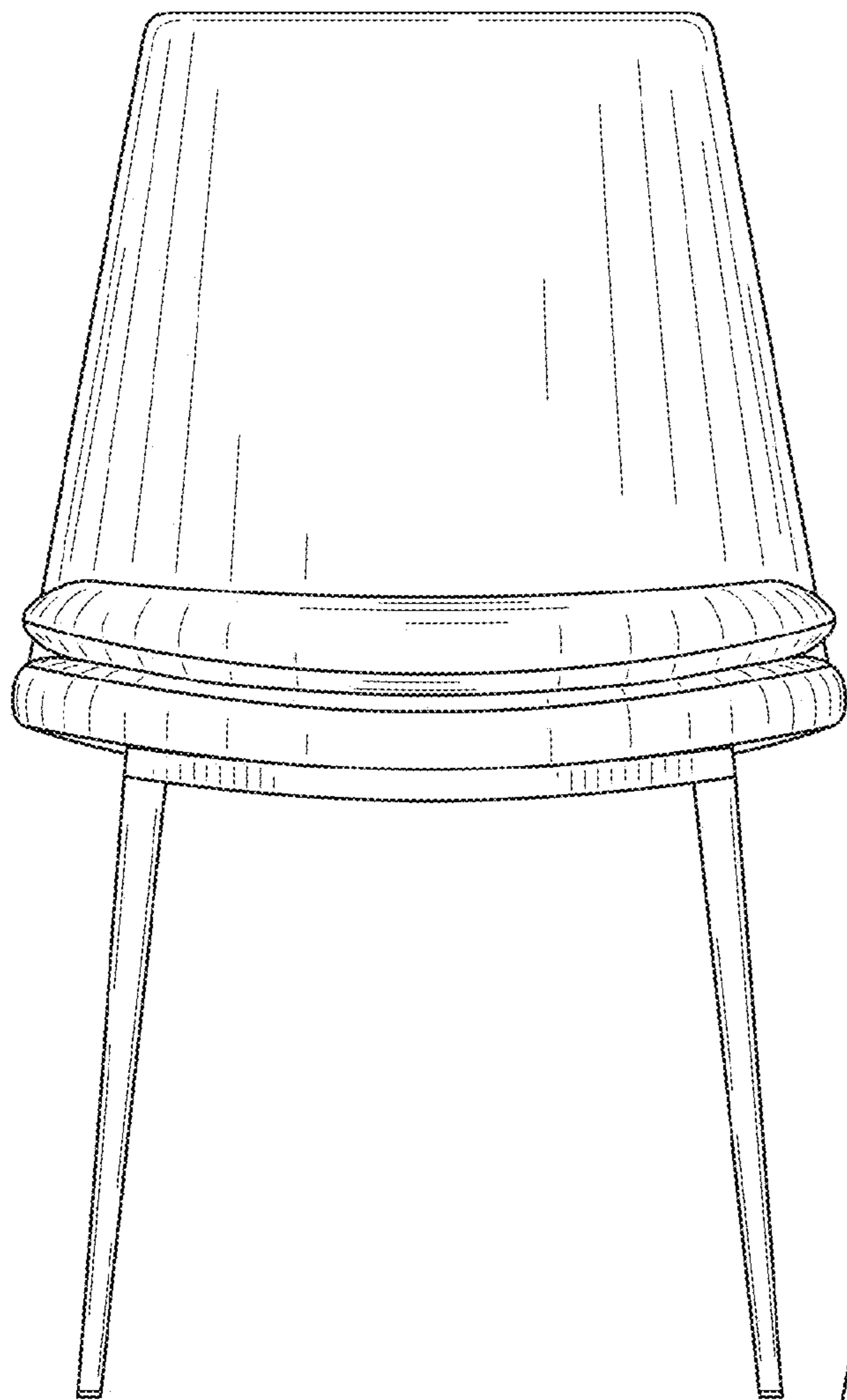


FIG. 8

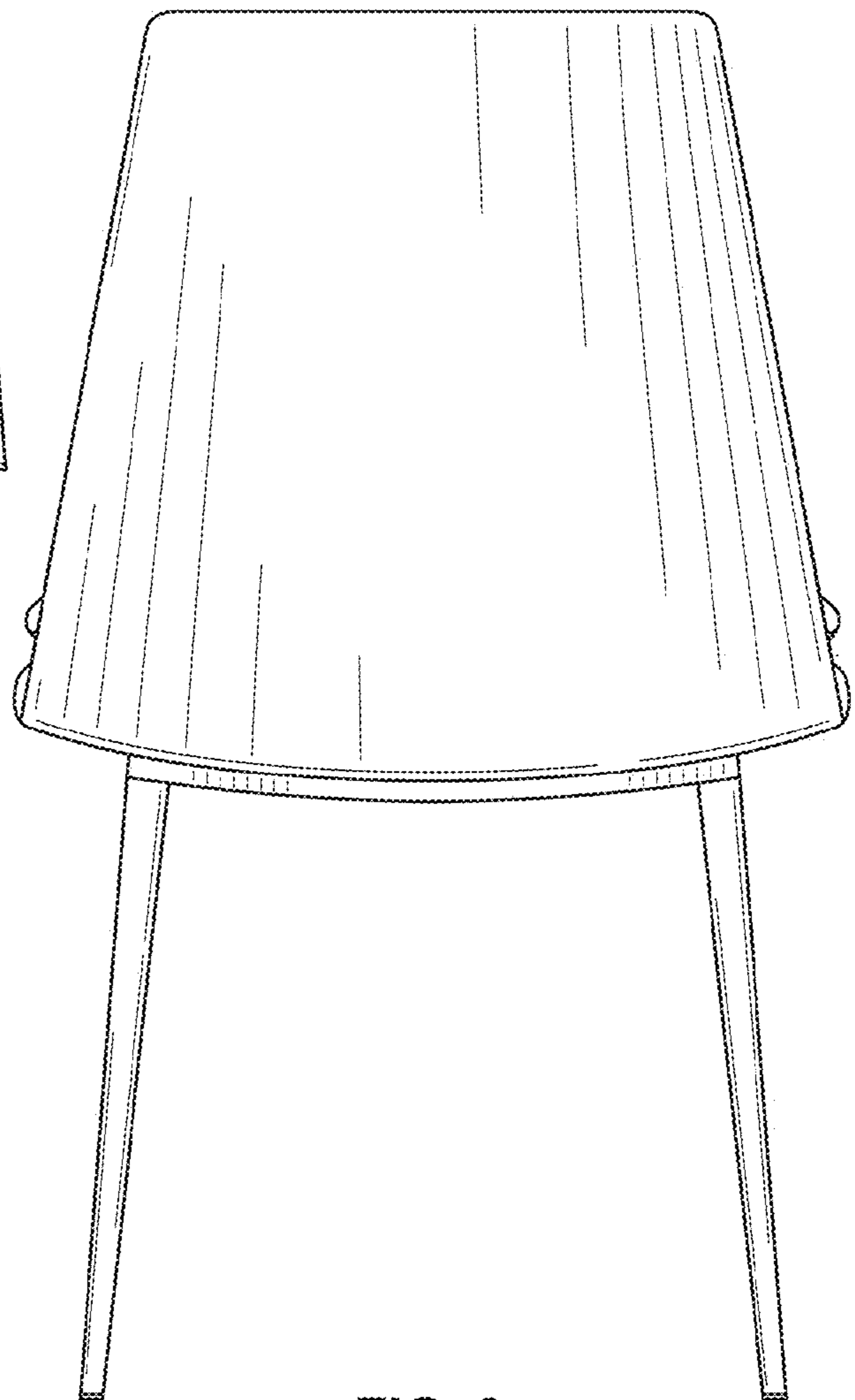


FIG. 9



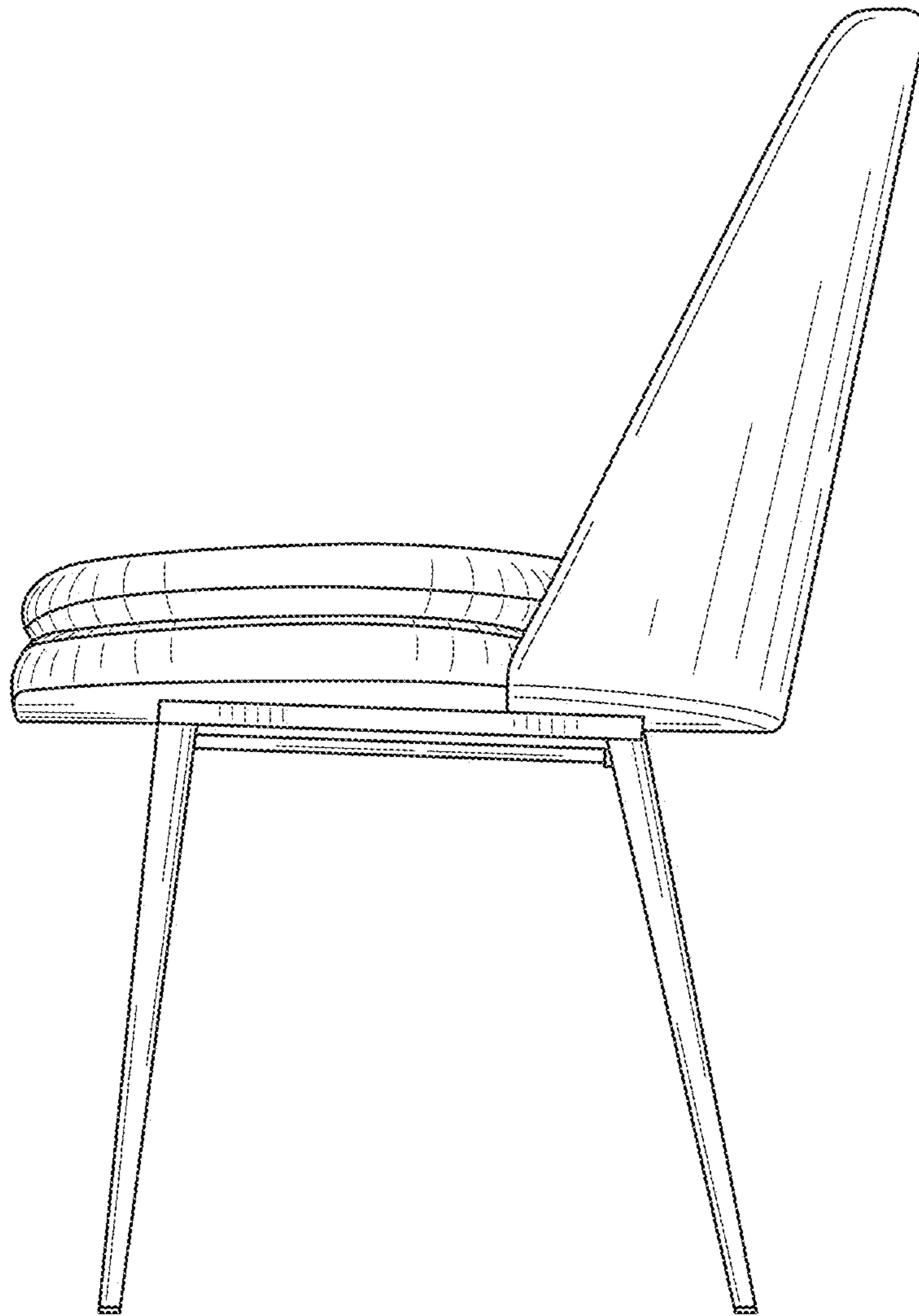


FIG. 10

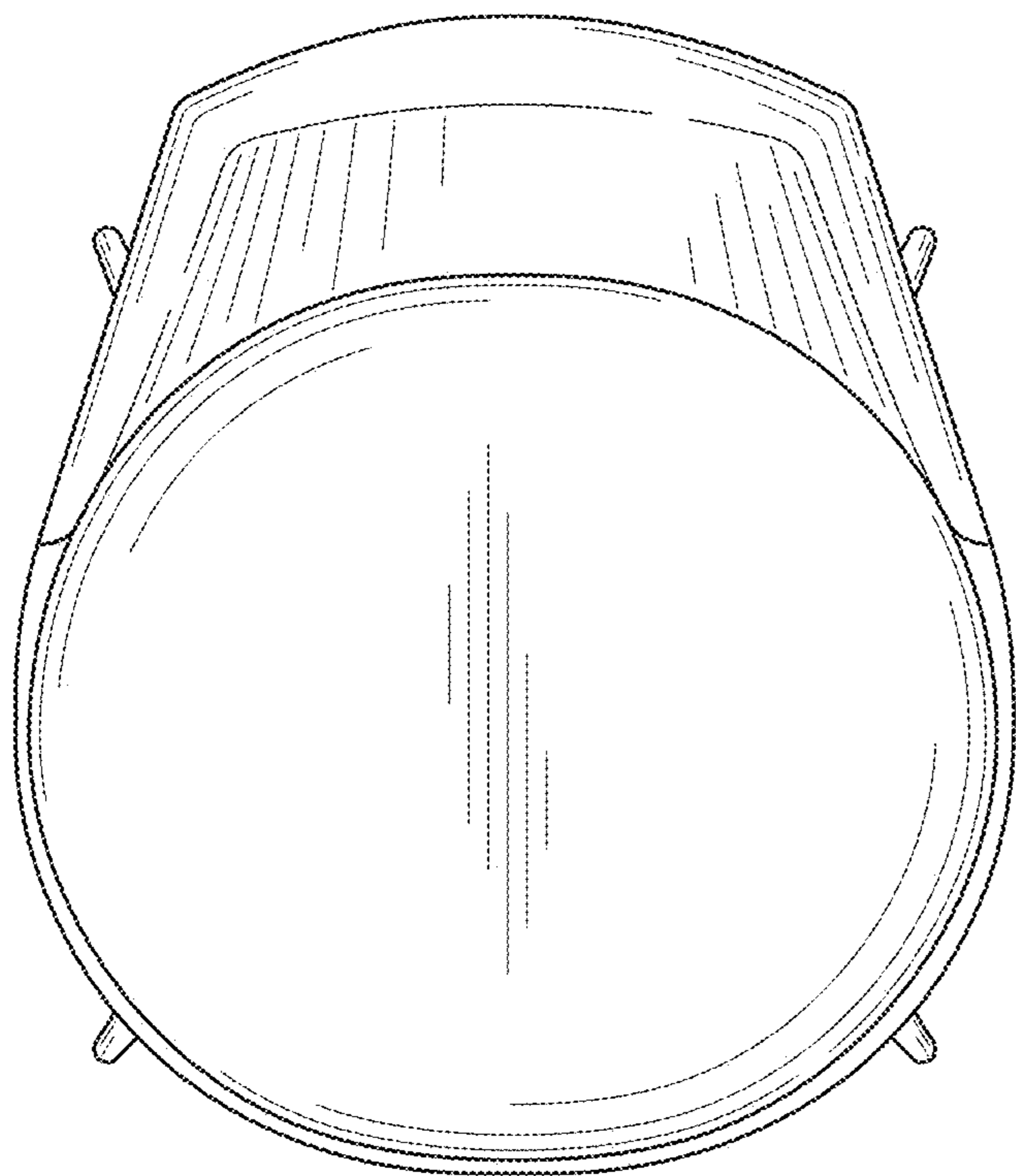


FIG. 11

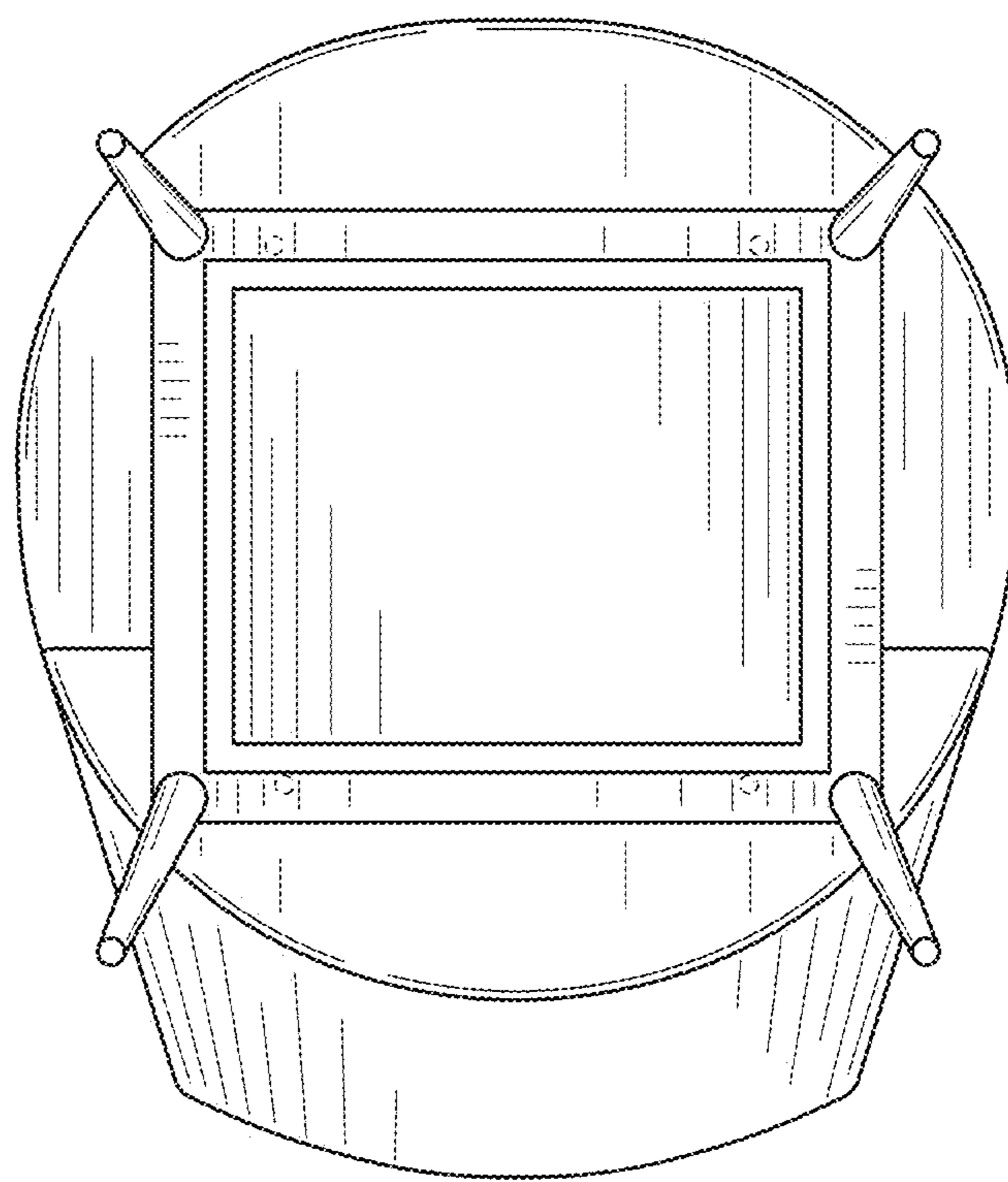


FIG. 12