



US00D876852S

(12) **United States Design Patent**  
**Bellissimo**

(10) **Patent No.:** **US D876,852 S**  
(45) **Date of Patent:** **\*\* Mar. 3, 2020**

(54) **MESH SEAT**  
(71) Applicant: **4Topp LLC**, Winston-Salem, NC (US)  
(72) Inventor: **Joseph Bellissimo**, Winston-Salem, NC (US)  
(73) Assignee: **4Topp LLC**, Winston-Salem, NC (US)  
(\*\*) Term: **15 Years**  
(21) Appl. No.: **29/643,176**  
(22) Filed: **Apr. 5, 2018**  
(51) **LOC (12) Cl.** ..... **06-01**  
(52) **U.S. Cl.**  
USPC ..... **D6/364**  
(58) **Field of Classification Search**  
USPC ..... D6/328, 334, 354, 355, 356, 364, 366,  
D6/601, 655, 702, 708, 708.16, 708.17,  
D6/708.18, 708.23, 708.24, 708.25, 712,  
D6/716.1, 716.2, 716.3, 716.4, 716.5,  
D6/716.6, 716.7, 362, 368; D21/662,  
D21/694, 695  
CPC .. A47C 1/03; A47C 4/02; A47C 31/00; B64D  
11/06; B62J 1/18; B60N 2/01; H01R  
13/60  
See application file for complete search history.

3,619,006 A \* 11/1971 Barecki ..... A47C 7/20  
297/232  
3,625,565 A \* 12/1971 Barecki ..... B60N 2/242  
296/64  
3,638,998 A \* 2/1972 Anderson ..... A47C 1/12  
297/332  
D407,584 S \* 4/1999 Haney ..... D6/368  
D479,657 S \* 9/2003 Calatrava Valls ..... D6/368  
6,691,356 B1 \* 2/2004 Coma ..... A47C 4/52  
5/417  
D520,765 S \* 5/2006 Piano ..... D6/368  
7,871,039 B2 \* 1/2011 Fullerton ..... B60N 2/7011  
244/118.5  
D639,575 S \* 6/2011 Freeman ..... D6/356  
8,256,835 B2 \* 9/2012 Brink ..... A47C 7/70  
297/145  
D672,980 S \* 12/2012 Mitjans ..... D6/364  
D681,969 S \* 5/2013 Mitjans ..... D6/364  
8,713,856 B1 \* 5/2014 Bellissimo ..... E04H 3/12  
52/8

(Continued)

*Primary Examiner* — Kevin K Rudzinski  
*Assistant Examiner* — Paul D Bohannon  
(74) *Attorney, Agent, or Firm* — Joseph T. Guy; Kirk A. Wilson; Patent Filing Specialist, Inc.

(57) **CLAIM**

The ornamental design for a mesh seat, as shown and described.

**DESCRIPTION**

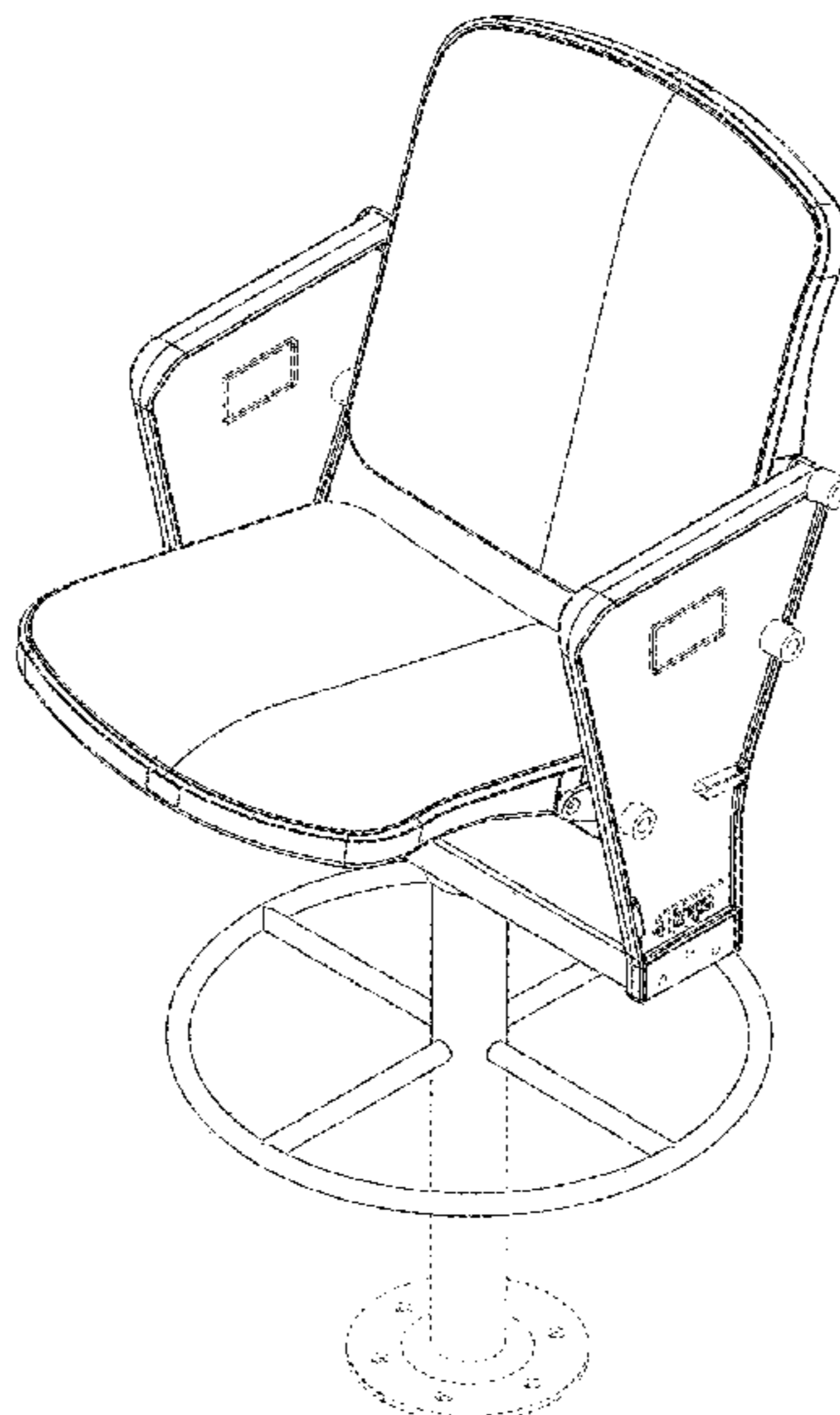
FIG. 1 is a top perspective view the present invention;  
FIG. 2 is a front view of the present invention;  
FIG. 3 is a left side view of the present invention;  
FIG. 4 is a back view of the present invention;  
FIG. 5 is a top view of the present invention;  
FIG. 6 is a bottom view of the present invention; and,  
FIG. 7 is a right side view of the invention.  
The broken lines, where present, illustrate portions of the mesh seat that form no part of the claimed invention.

**1 Claim, 7 Drawing Sheets**

(56) **References Cited**

U.S. PATENT DOCUMENTS

D2,609 S \* 4/1867 Buntin ..... D6/356  
D159,297 S \* 7/1950 Rowe ..... D6/356  
2,620,858 A \* 12/1952 Hoven ..... A47C 7/58  
248/575  
3,137,527 A \* 6/1964 Hoven ..... A47C 1/121  
297/331  
3,287,060 A \* 11/1966 Thompson ..... A47C 7/563  
297/332  
3,479,084 A \* 11/1969 Van Ryn ..... A47C 7/70  
297/162



(56)

**References Cited**

U.S. PATENT DOCUMENTS

D710,623	S *	8/2014	Peery .....	D6/368
9,428,276	B1 *	8/2016	Marini .....	B64D 11/0643
9,592,913	B2 *	3/2017	Bell .....	B29C 70/545
D808,676	S *	1/2018	Bellissimo .....	D6/362
2003/0102703	A1 *	6/2003	Tenenboym .....	A47C 1/121 297/326
2007/0132283	A1 *	6/2007	Mitjans .....	A47C 7/70 297/145
2008/0217979	A1 *	9/2008	King .....	A47C 1/121 297/338

\* cited by examiner

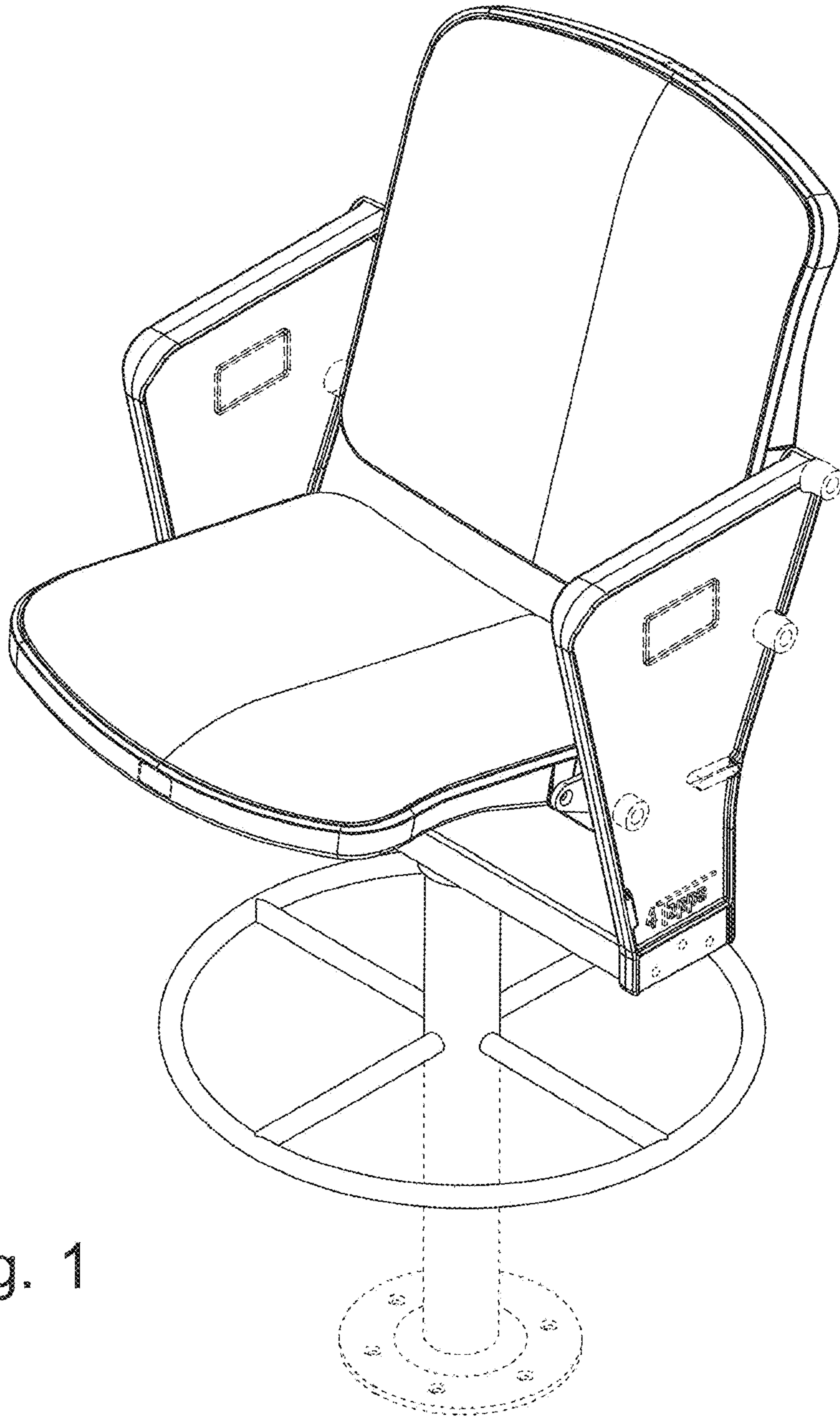
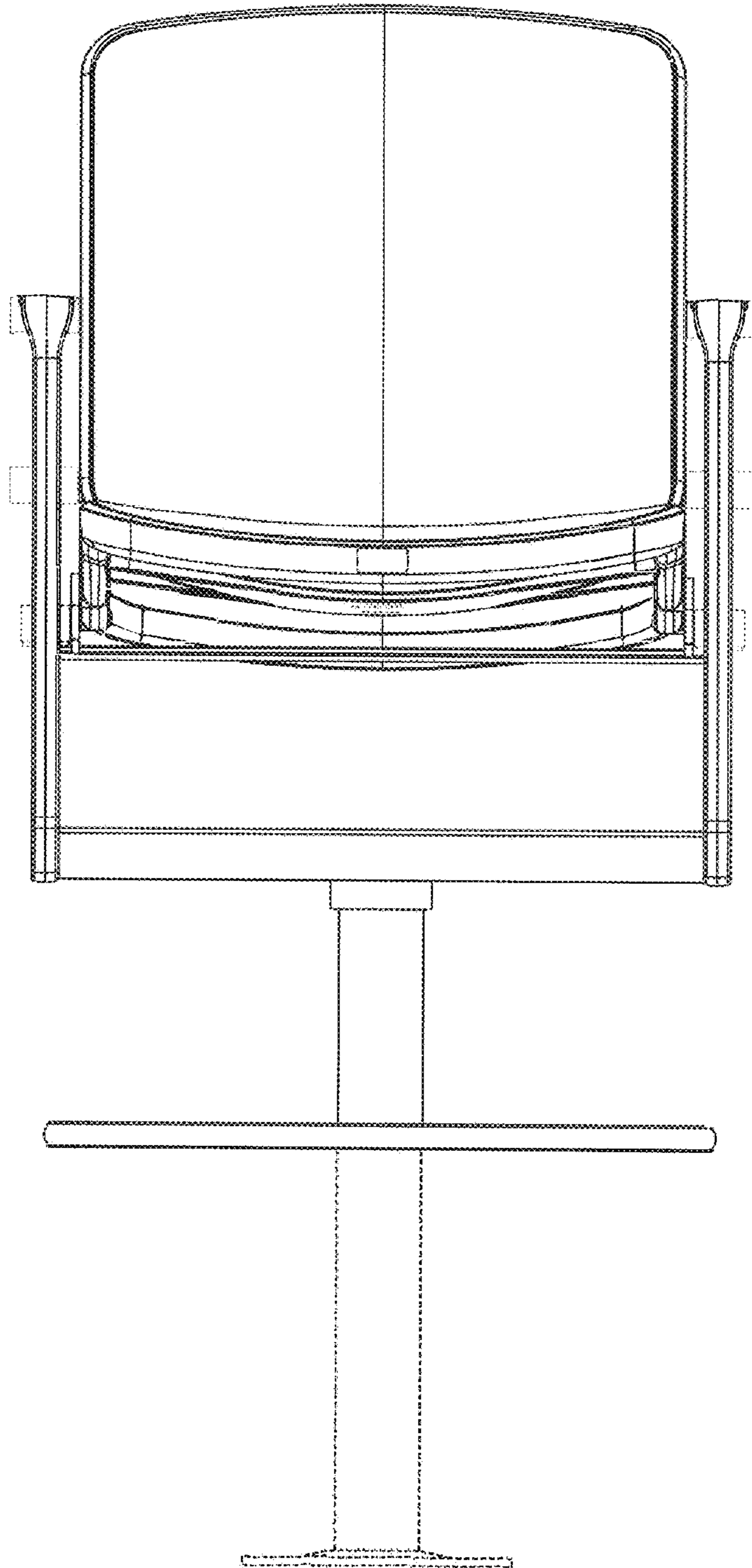


Fig. 1

Fig. 2





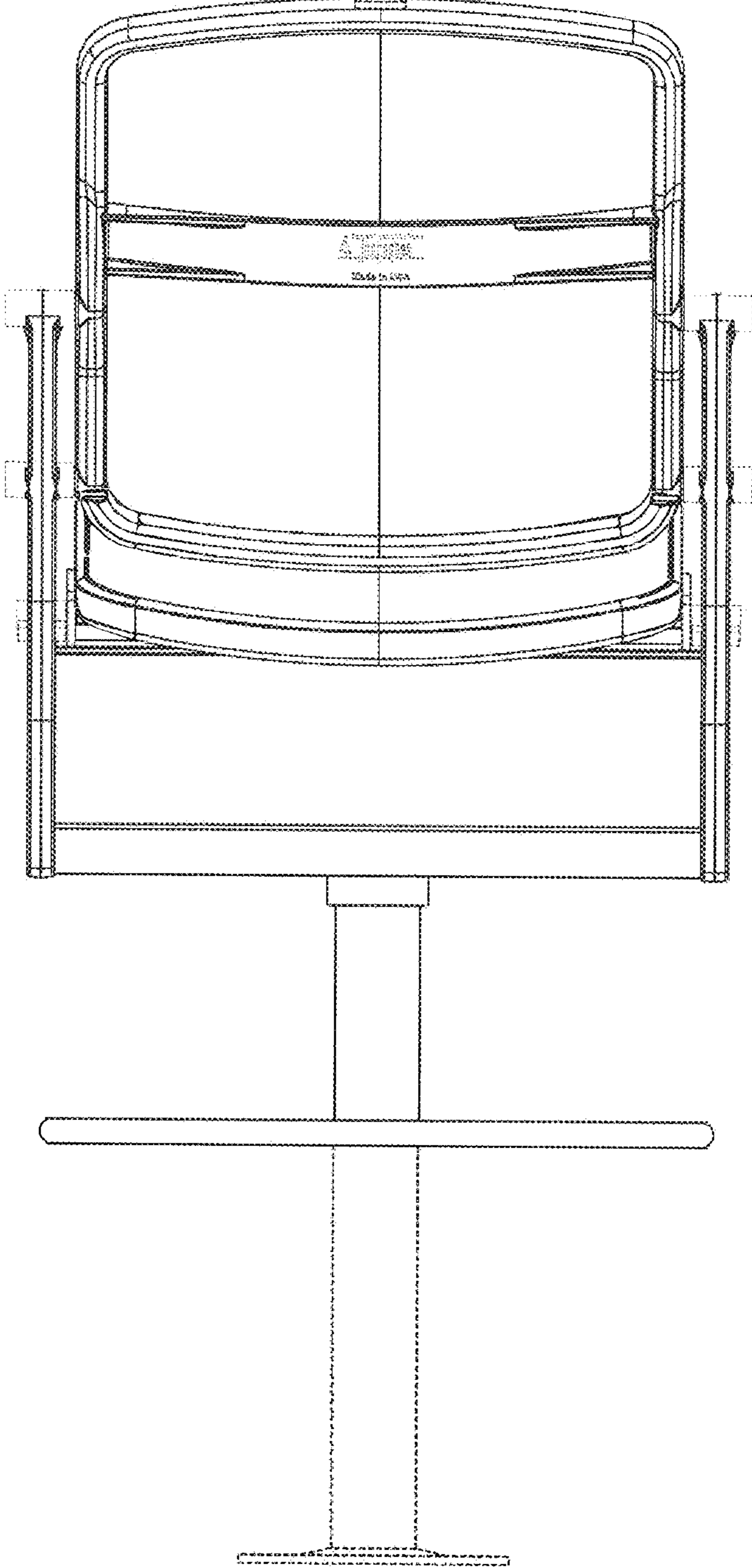


Fig. 3

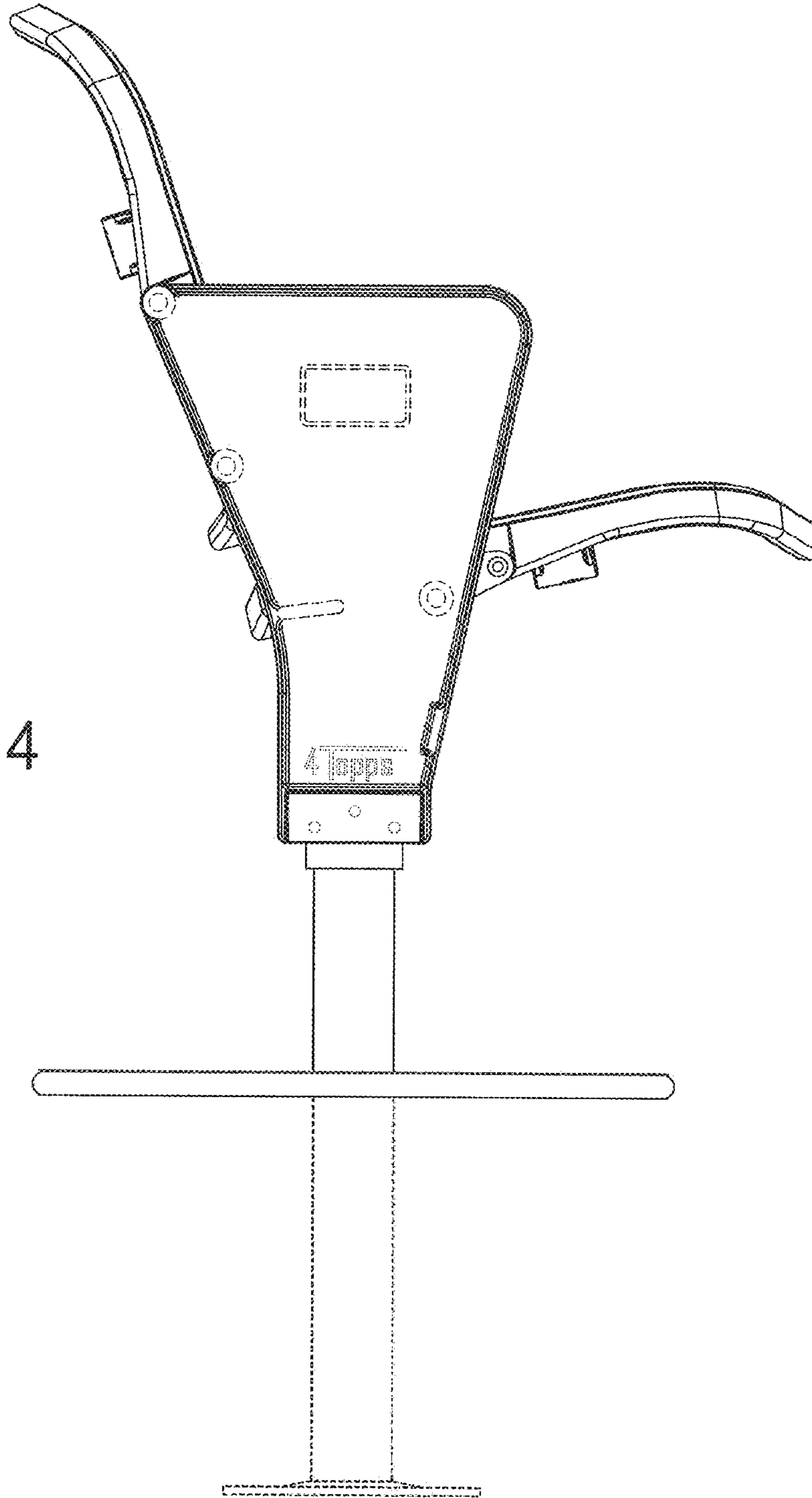


Fig. 4

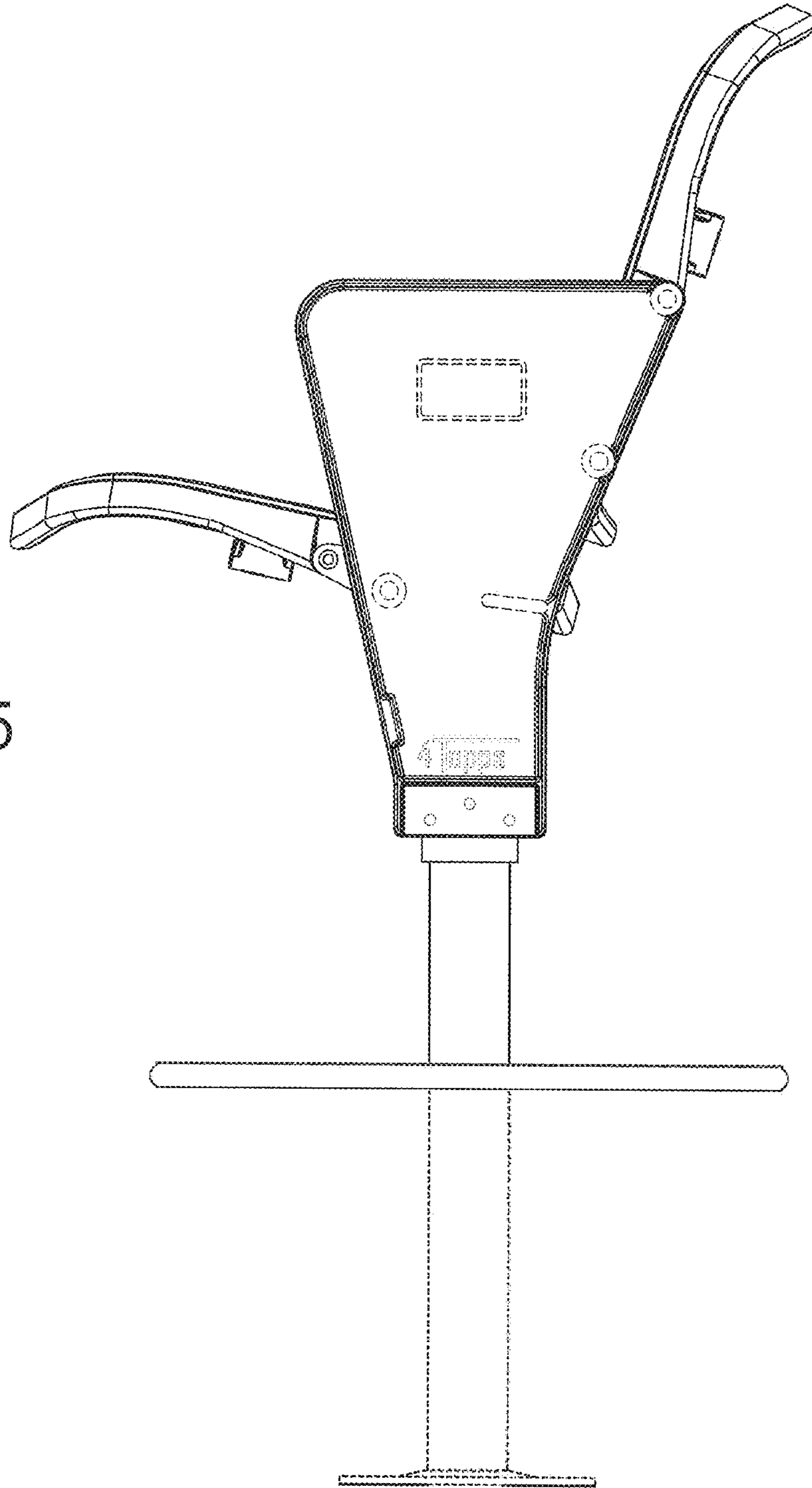


Fig. 5

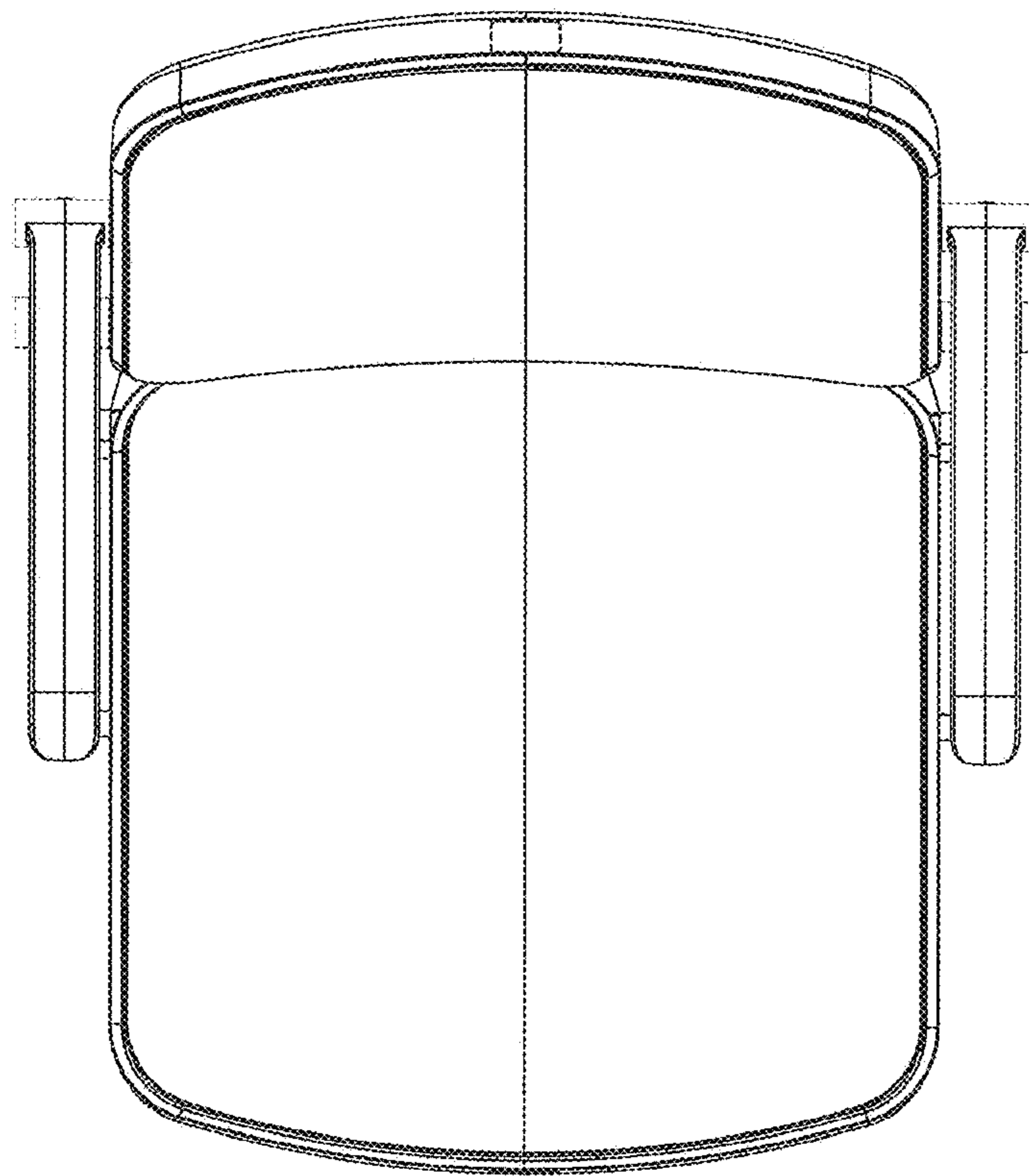


Fig. 6



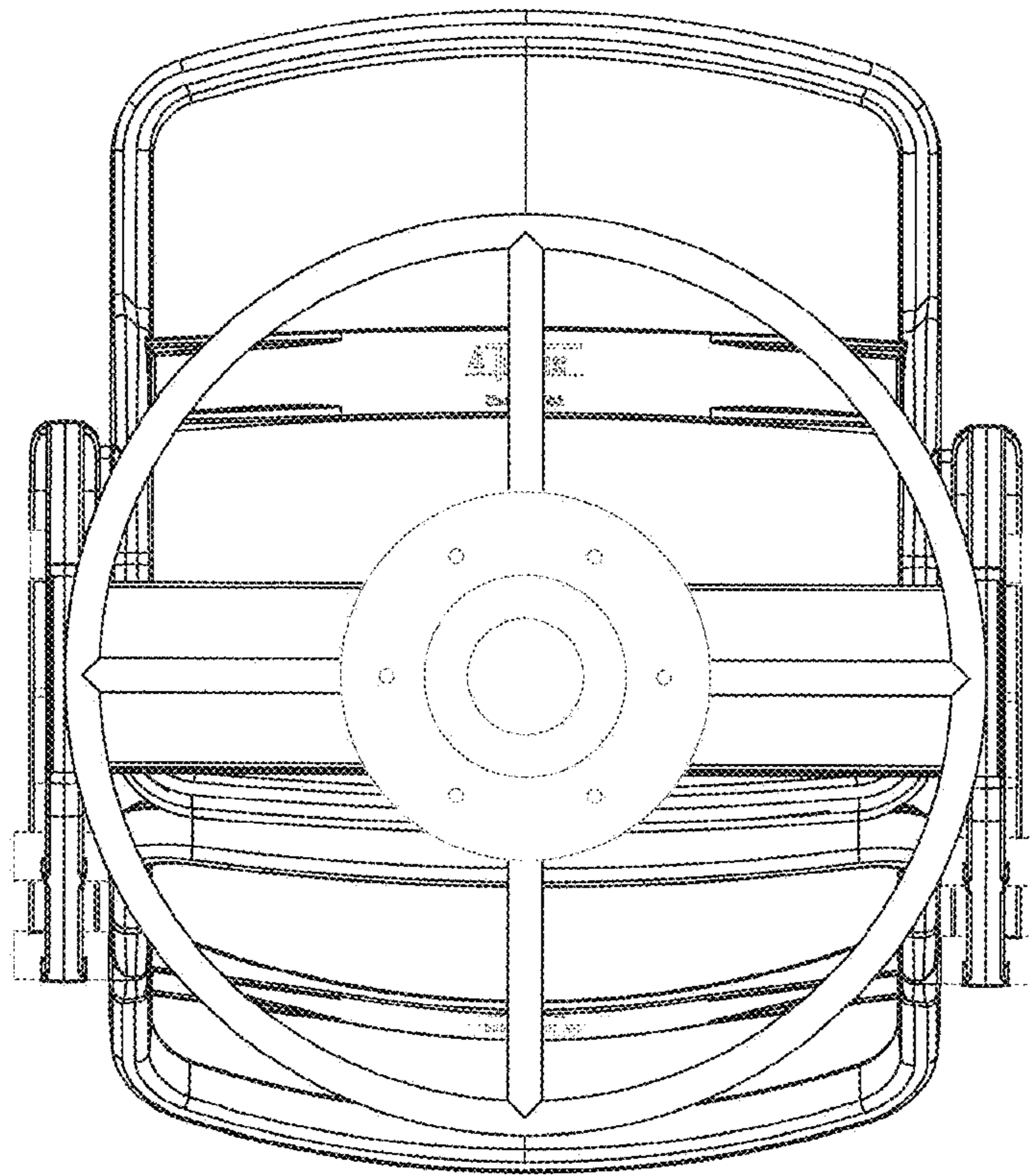


Fig. 7