



US00D876849S

(12) **United States Design Patent**
Whiteside et al.

(10) **Patent No.:** **US D876,849 S**
(45) **Date of Patent:** **** Mar. 3, 2020**

(54) **MOBILE SEAT**
(71) Applicant: **Whiteside Mfg. Co.**, Delaware, OH (US)
(72) Inventors: **Kirt E. Whiteside**, Delaware, OH (US);
Robert J. Reitmire, Marion, OH (US)
(73) Assignee: **WHITESIDE MFG. CO.**, Delaware, OH (US)

(**) Term: **15 Years**
(21) Appl. No.: **29/659,234**

(22) Filed: **Aug. 7, 2018**
(51) **LOC (12) Cl.** **06-01**
(52) **U.S. Cl.**
USPC **D6/349**
(58) **Field of Classification Search**
USPC D6/334, 335, 336, 349, 367; D34/12, 14,
D34/17, 19, 23; D3/279, 283
CPC B25H 3/00; B25H 1/00; B25H 7/00; A47C
9/00; A47C 9/02; A47C 9/027; A47C
1/00; A47C 7/029
See application file for complete search history.

(56) **References Cited**
U.S. PATENT DOCUMENTS

D511,416 S * 11/2005 Obbitts D34/23
D555,920 S * 11/2007 Whiteside D6/349

D608,558 S * 1/2010 Rush D6/367
7,658,442 B1 * 2/2010 Whiteside A47C 7/62
297/188.01
D750,391 S * 3/2016 Lensing D6/336
D811,789 S * 3/2018 Fletcher D6/708.16
10,022,858 B2 * 7/2018 Huang B25H 5/00
2008/0100120 A1 * 5/2008 Fletcher A47C 3/12
297/448.2
2017/0164751 A1 * 6/2017 Huang A47C 7/62

* cited by examiner

Primary Examiner — Cathron C Brooks
(74) *Attorney, Agent, or Firm* — Renner, Kenner, Greive,
Bobak, Taylor & Weber

(57) **CLAIM**

The ornamental design for a mobile seat, as shown and described.

DESCRIPTION

FIG. 1 is a top, front, left side perspective view of a mobile seat showing our new design;
FIG. 2 is a front elevational view thereof;
FIG. 3 is a left side elevational view thereof;
FIG. 4 is a right side elevational view thereof;
FIG. 5 is a rear elevational view thereof;
FIG. 6 is a top plan view thereof; and,
FIG. 7 is a bottom plan view thereof.

1 Claim, 7 Drawing Sheets





FIG. 1

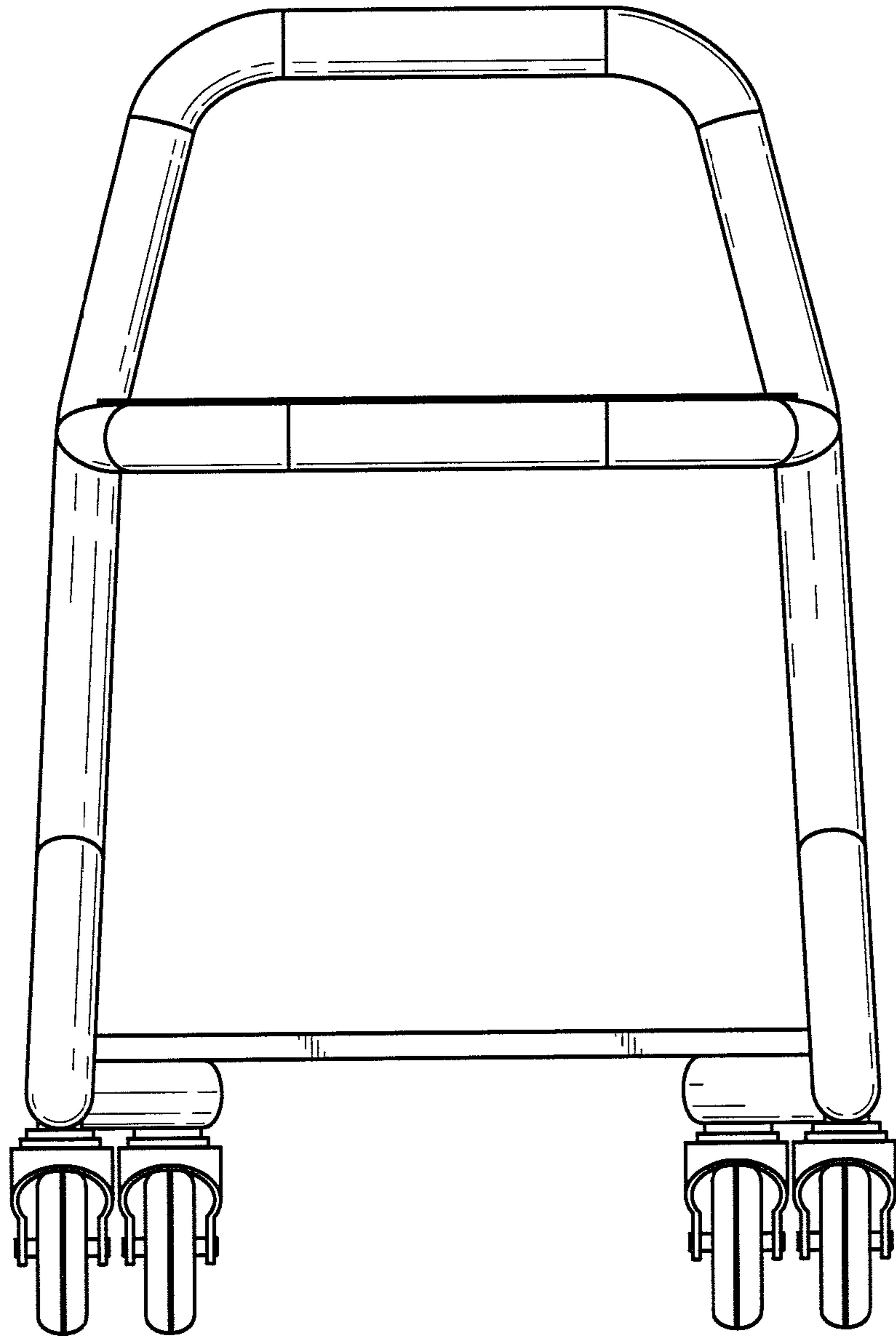


FIG. 2

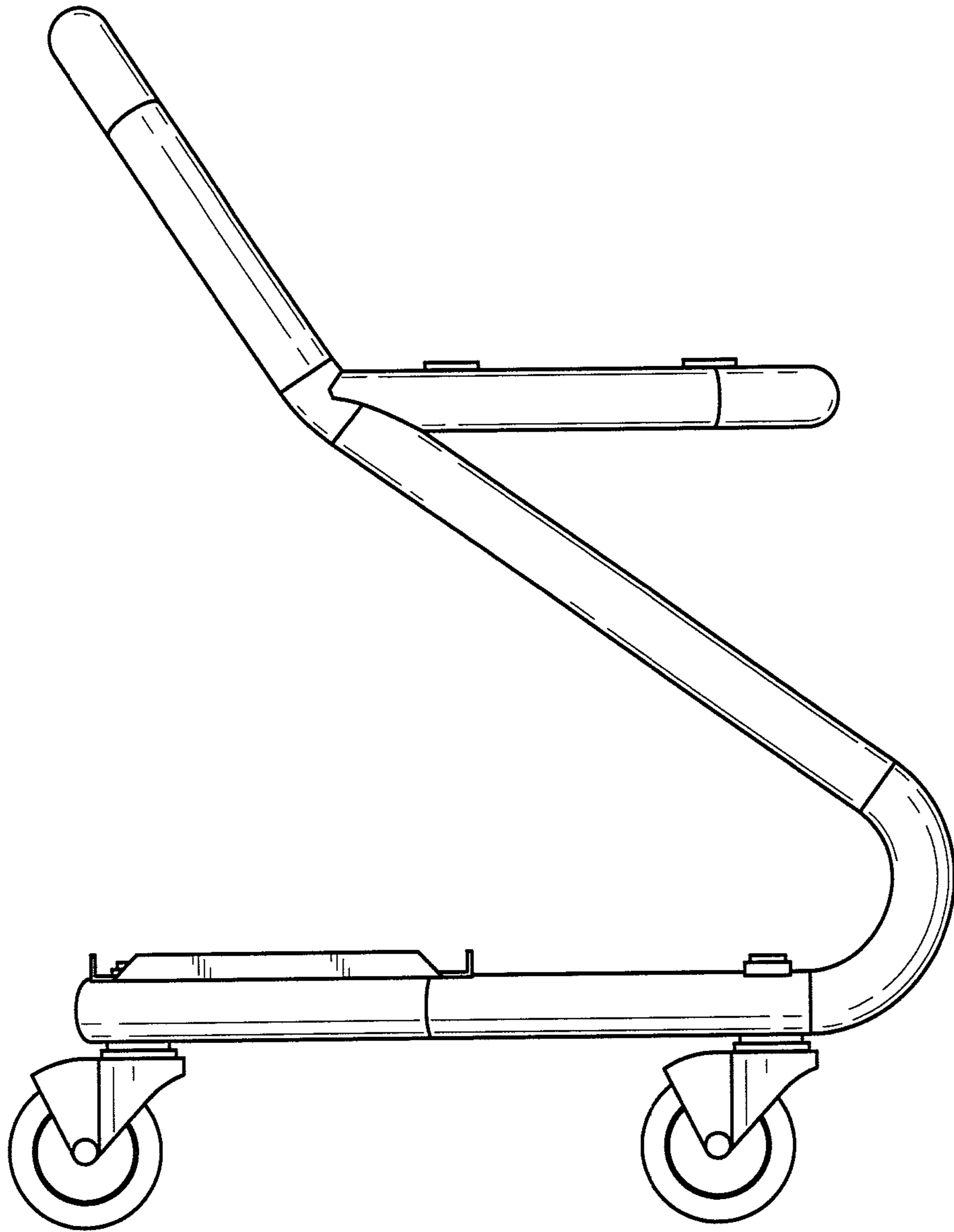


FIG. 3

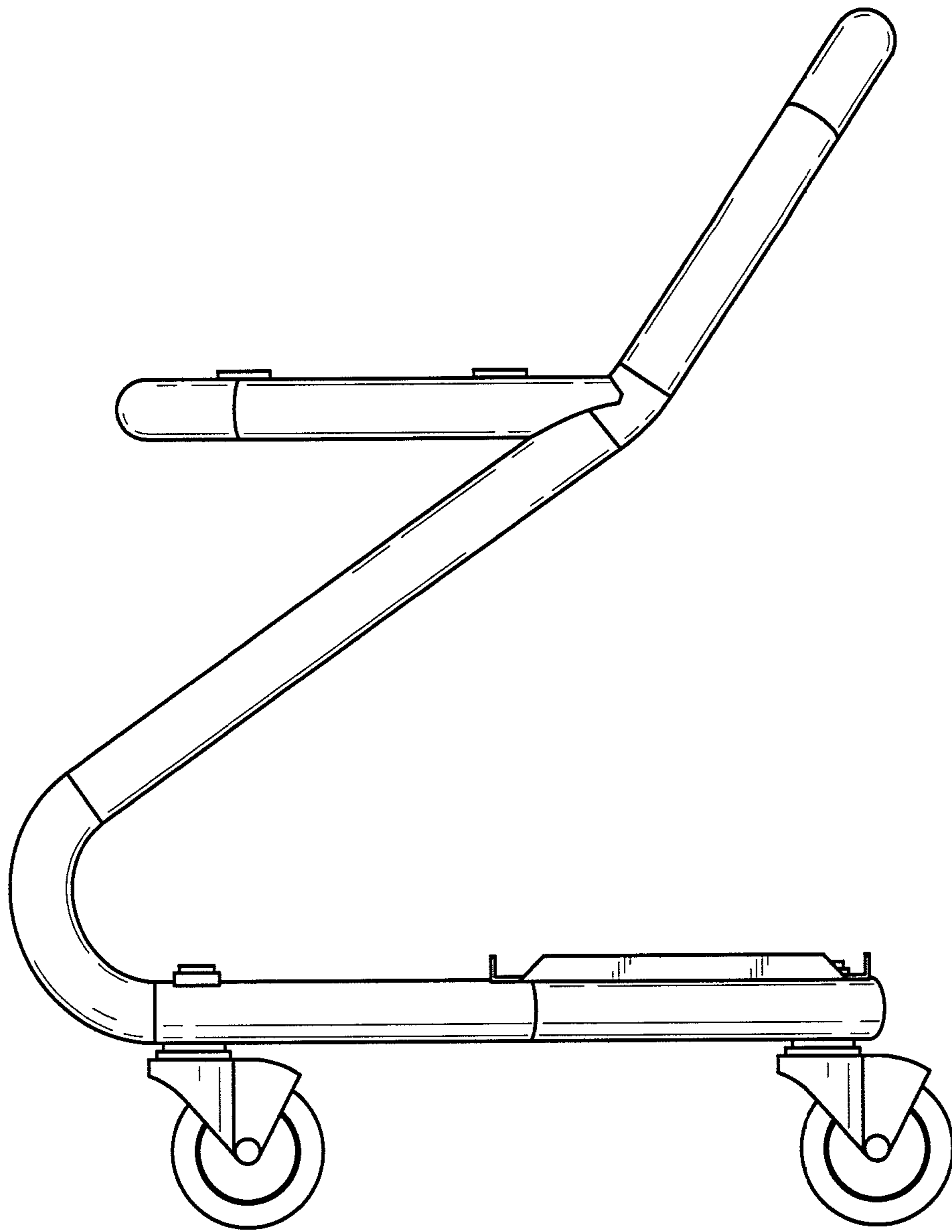


FIG. 4

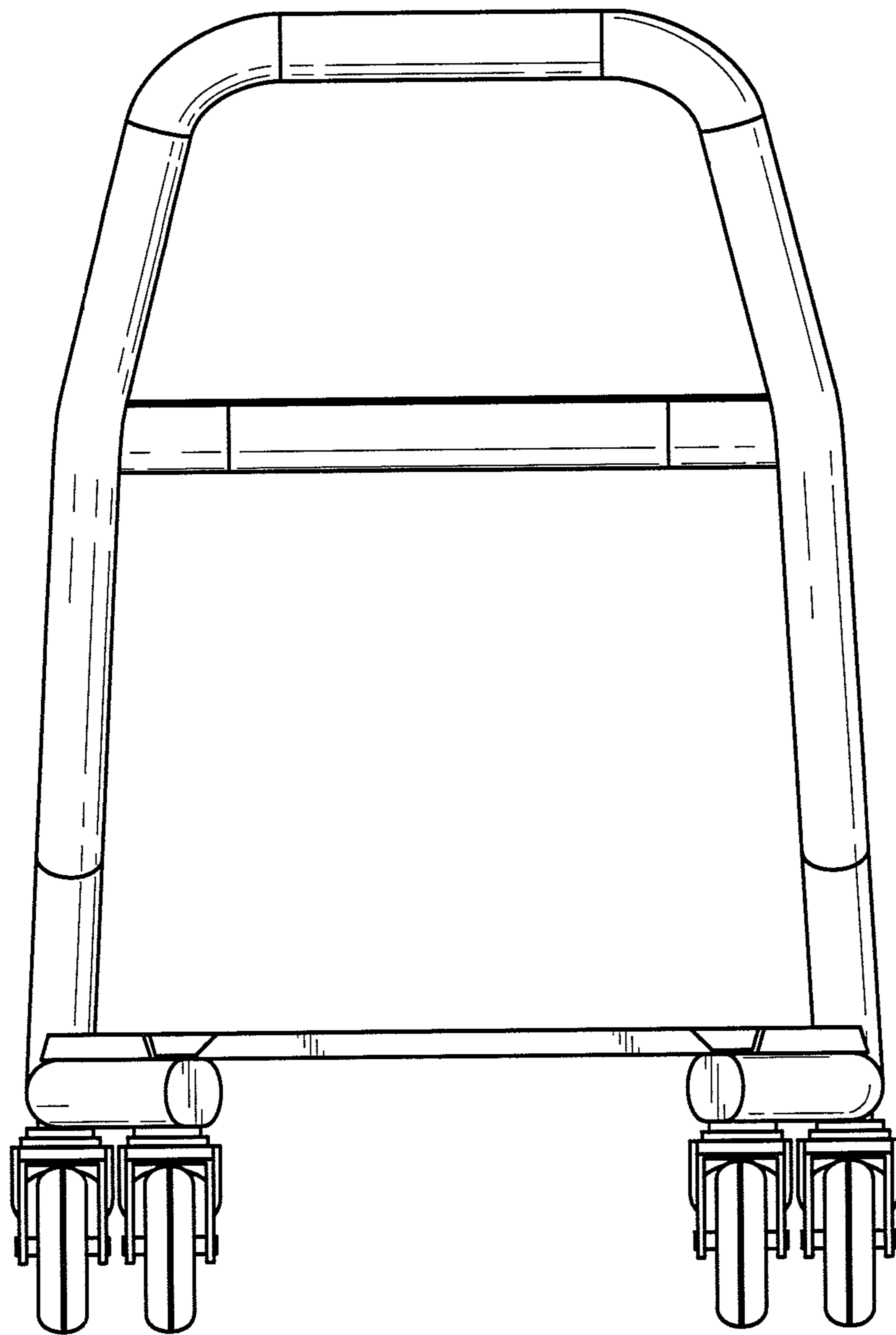


FIG. 5

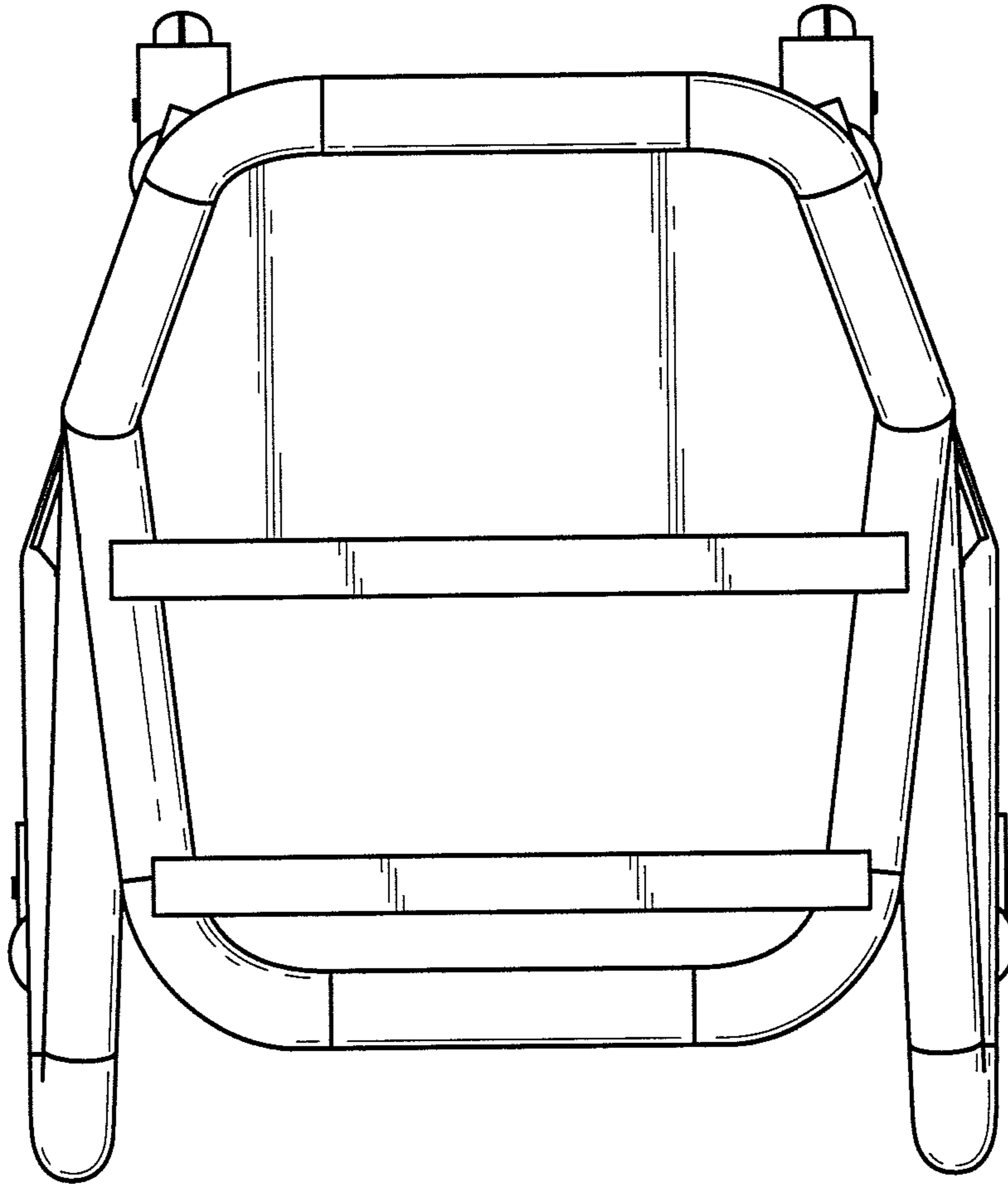


FIG. 6

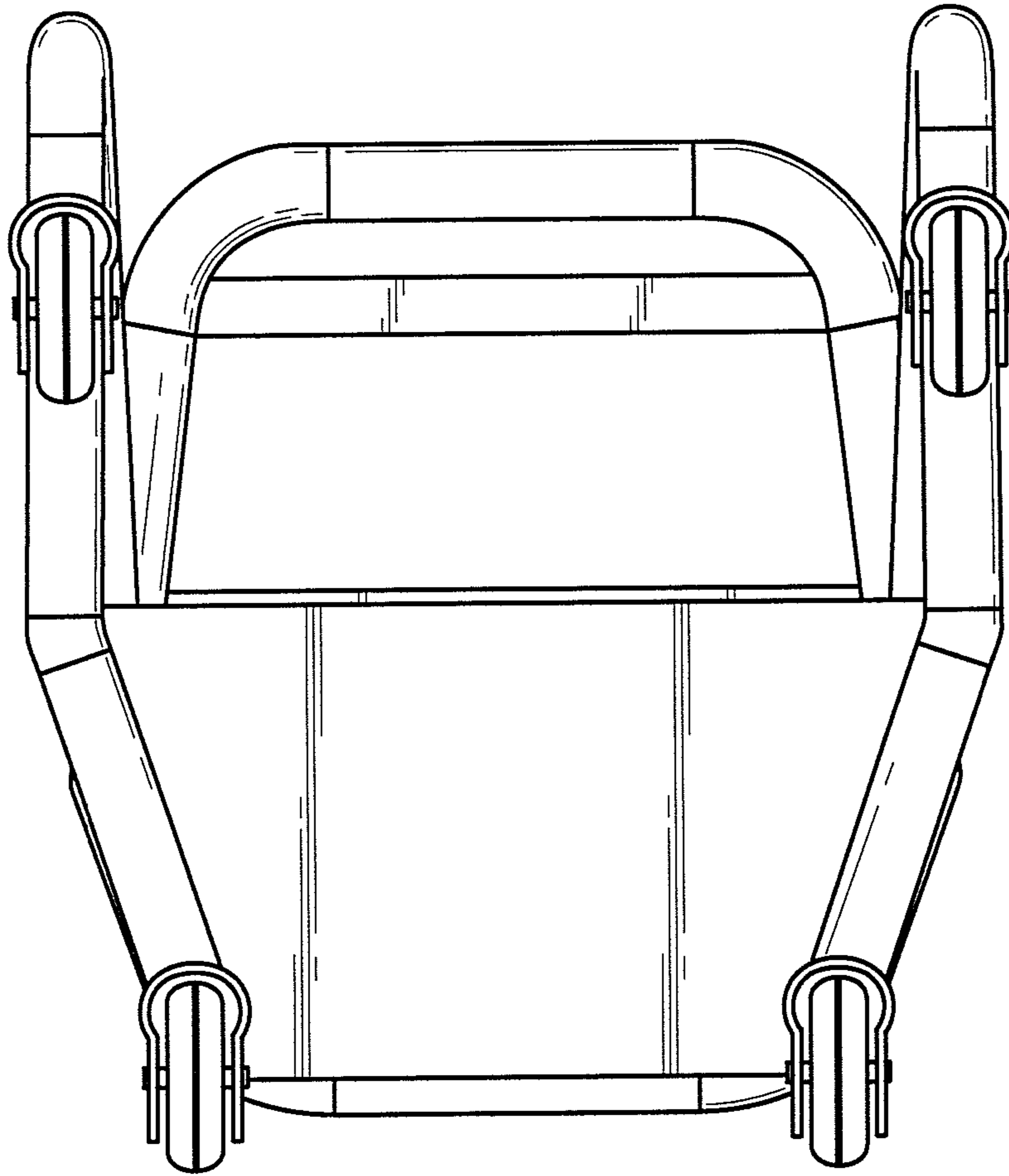


FIG. 7