



US00D876846S

(12) **United States Design Patent**
Pavlick

(10) **Patent No.:** **US D876,846 S**
(45) **Date of Patent:** **** Mar. 3, 2020**

(54) **GARMENT HANGER**

(71) Applicant: **Hanger Holdings, Inc.**, Orwigsburg, PA (US)
(72) Inventor: **Stephen Pavlick**, Orwigsburg, PA (US)
(73) Assignee: **Hanger Holdings, Inc.**, Orwigsburg, PA (US)
(**) Term: **15 Years**

(21) Appl. No.: **29/667,726**

(22) Filed: **Oct. 24, 2018**

(51) **LOC (12) Cl.** **06-08**

(52) **U.S. Cl.**
USPC **D6/326**

(58) **Field of Classification Search**
USPC D6/315-328
CPC A47G 25/32; A47G 25/26; A47G 25/28;
A47G 25/485; A47G 25/487; A47G 25/20;
A47G 25/481; A47G 25/442; A47G 25/24;
A47G 25/48; A47G 25/486; A47G 25/36;
A47G 25/1407; A47G 25/30; A47G 25/14;
A47G 25/743; A47G 25/1457

See application file for complete search history.

(56) **References Cited**

U.S. PATENT DOCUMENTS

D305,834 S * 2/1990 DeVito D6/326
D348,987 S * 7/1994 Gouldson D6/326

D368,376 S * 4/1996 Gouldson D6/326
5,509,587 A * 4/1996 Gouldson A47G 25/28
223/85
D371,246 S * 7/1996 Gouldson D6/326
D388,620 S * 1/1998 Gouldson D6/326
5,778,575 A * 7/1998 Deupree A47G 25/48
223/85
5,957,345 A * 9/1999 Petrou A47G 25/483
223/91
D439,751 S * 4/2001 Gouldson D6/326
D630,447 S * 1/2011 Yamada D6/328
D850,801 S * 6/2019 Kariker D6/318

* cited by examiner

Primary Examiner — Lauren R Calve

(74) *Attorney, Agent, or Firm* — Barley Snyder

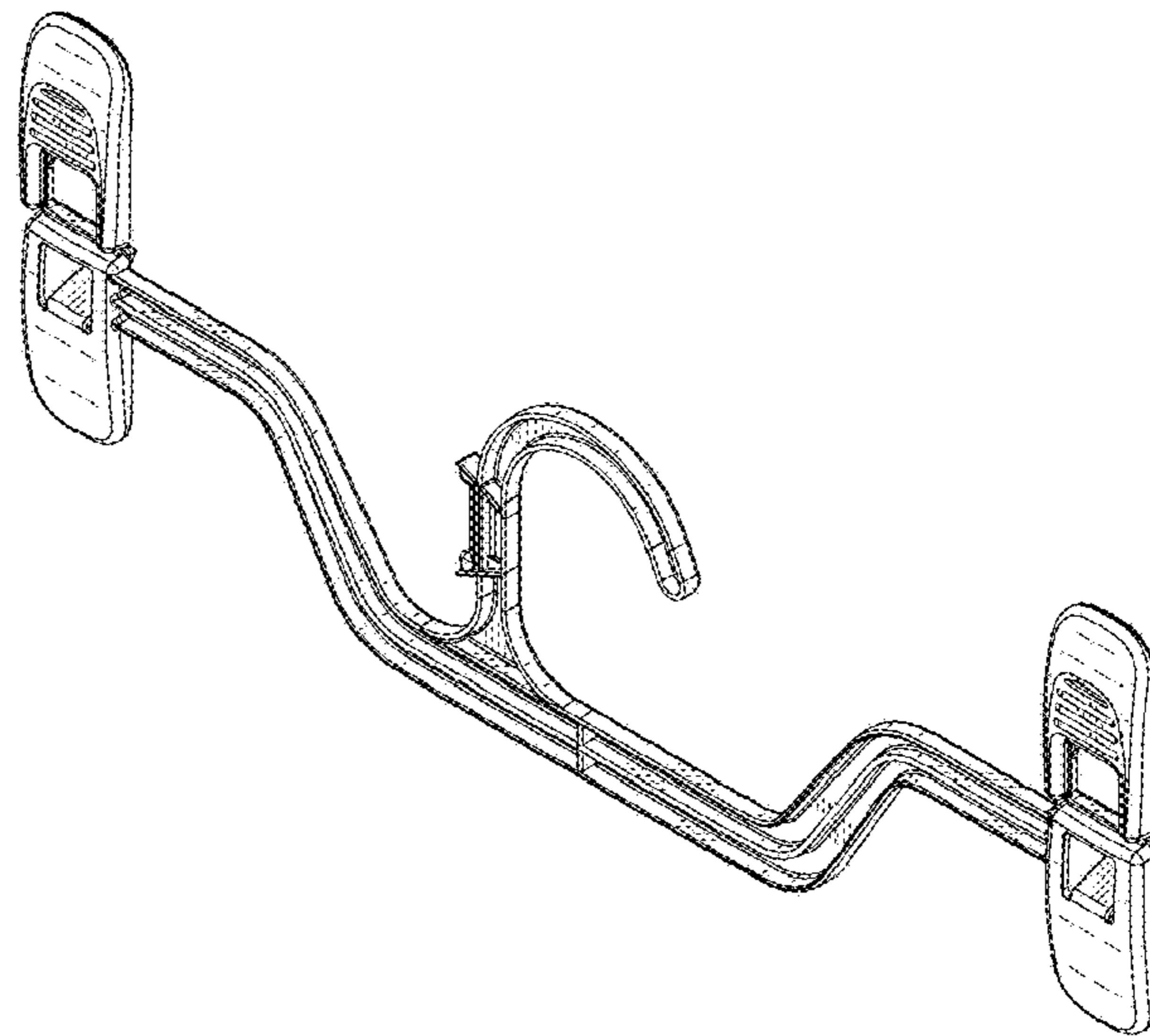
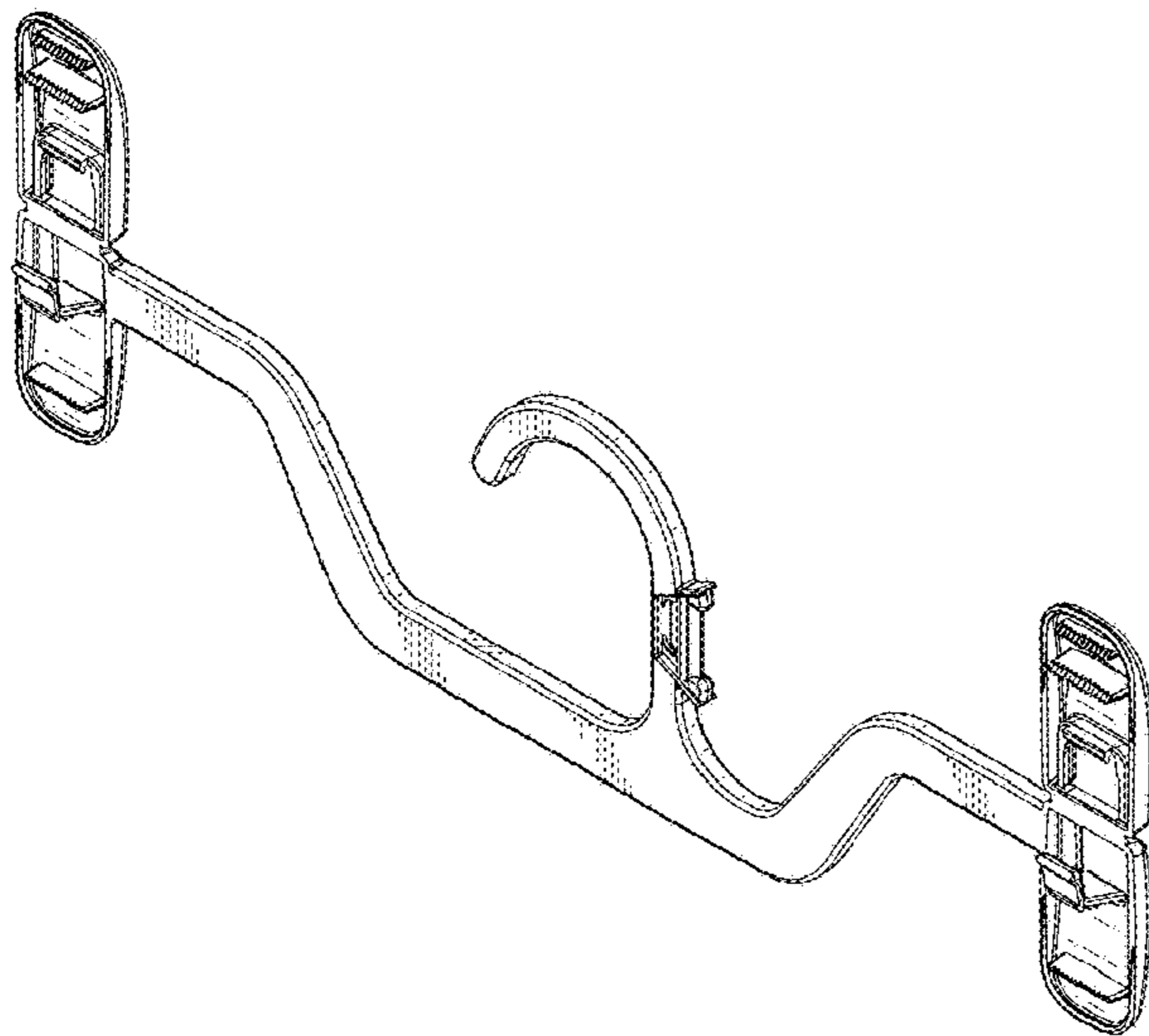
(57) **CLAIM**

An ornamental design for a garment hanger, as shown.

DESCRIPTION

FIG. 1 is a front, top and right side perspective view of a garment hanger, showing the new design;
FIG. 2 is a top plan view thereof;
FIG. 3 is a front elevation view thereof;
FIG. 4 is a rear elevation view thereof;
FIG. 5 is a bottom plan view thereof;
FIG. 6 is a right side elevation view thereof;
FIG. 7 is a left side elevation view thereof; and,
FIG. 8 is a rear, top and left side perspective view thereof.

1 Claim, 5 Drawing Sheets



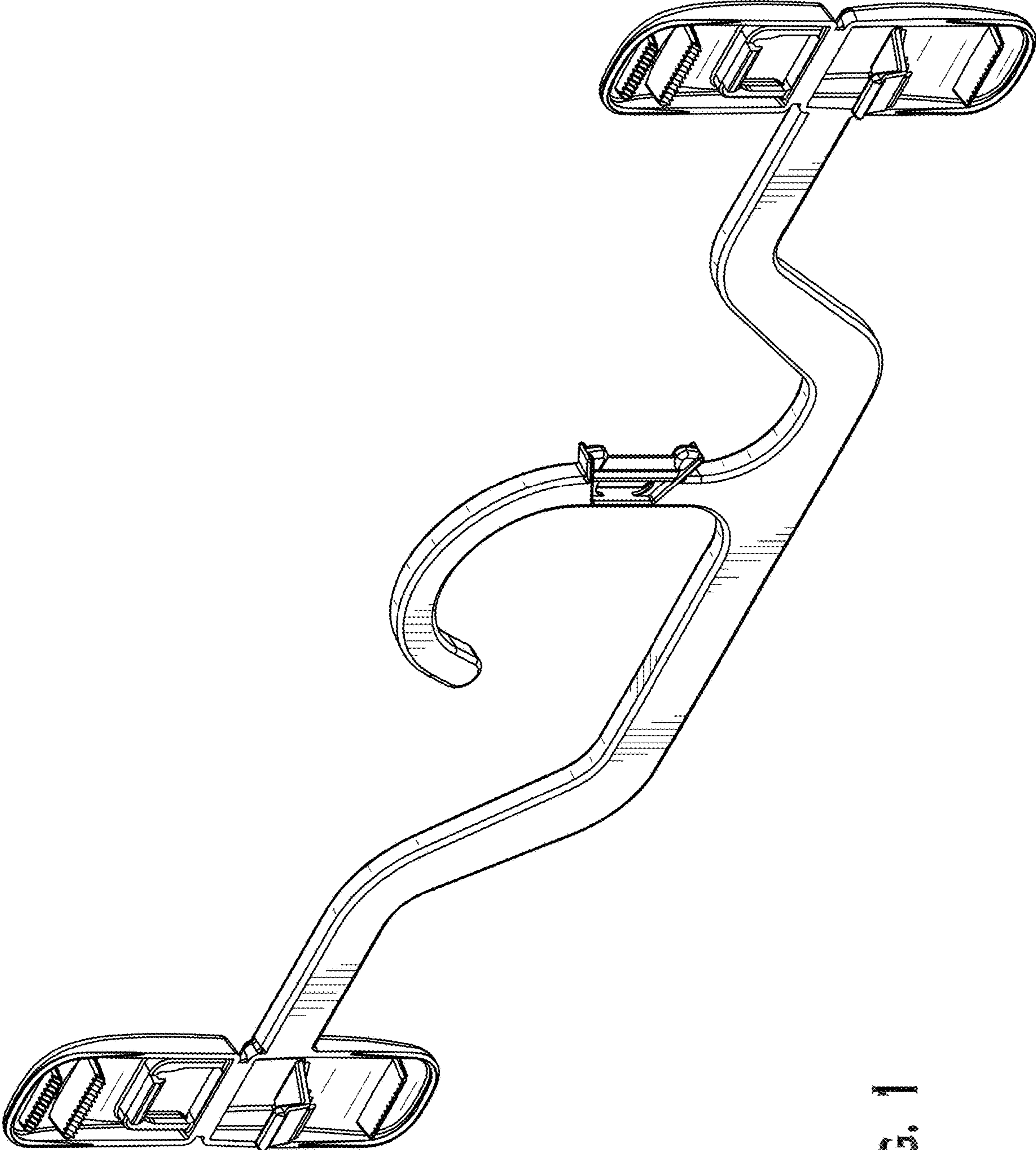


FIG. 1

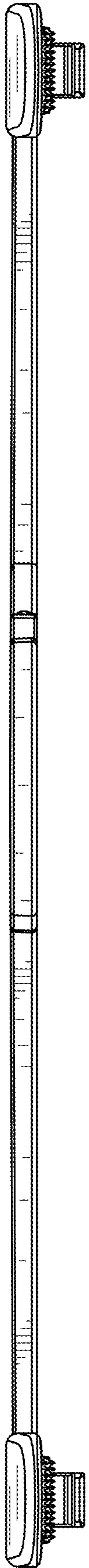


FIG. 2

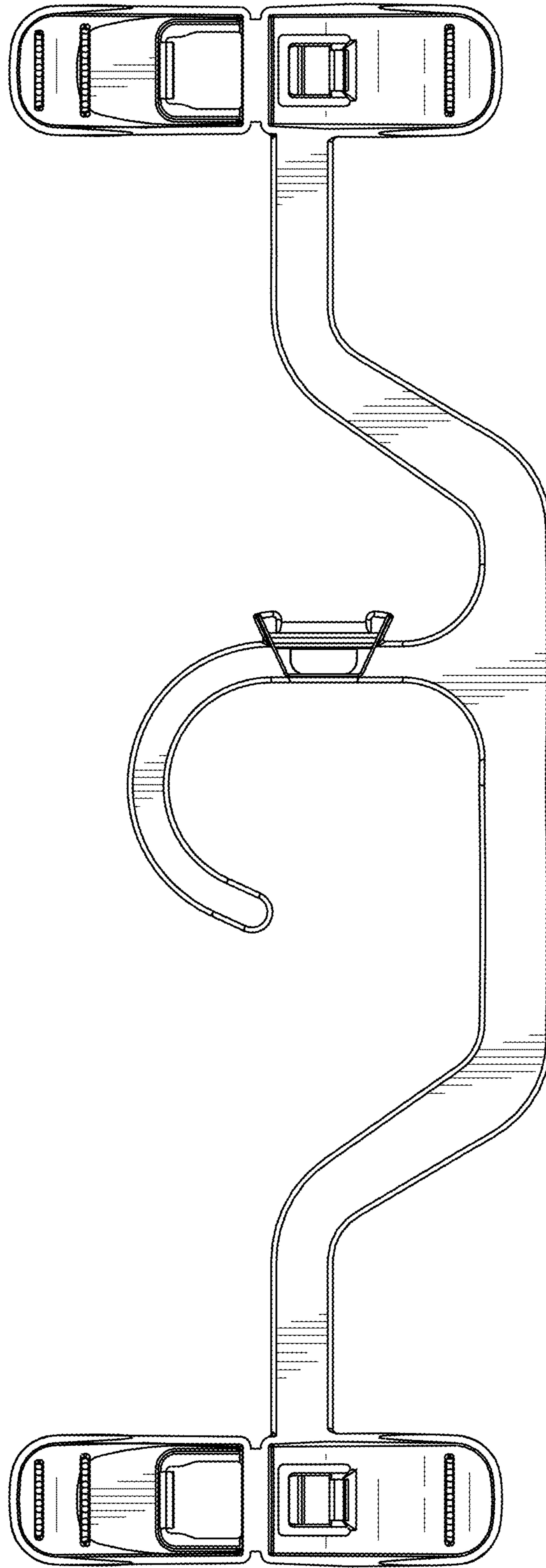


FIG. 3

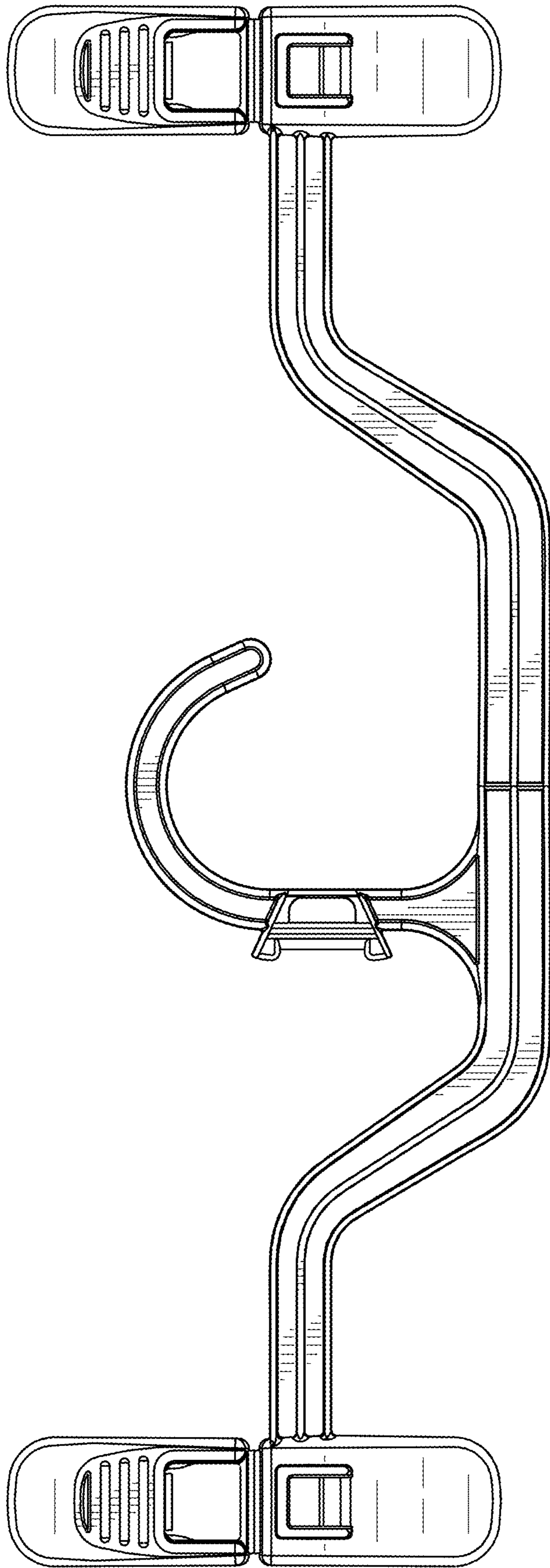


FIG. 4

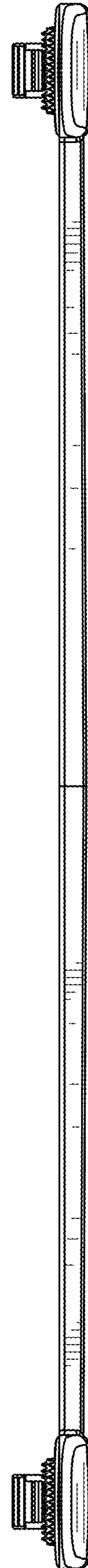


FIG. 5

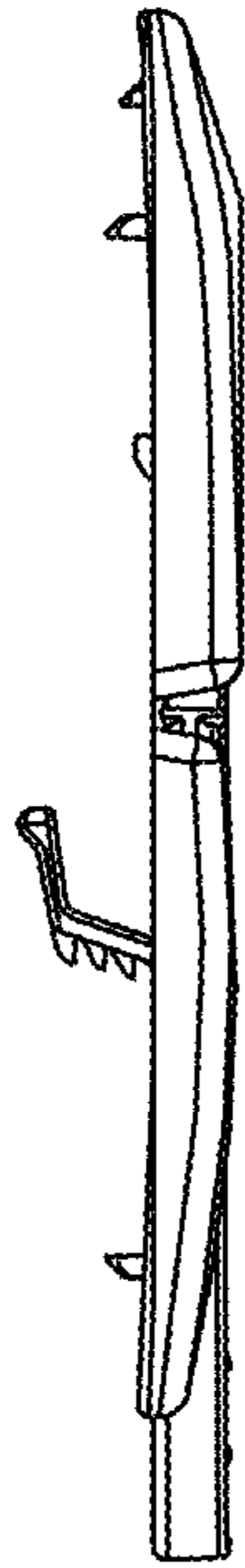


FIG. 6

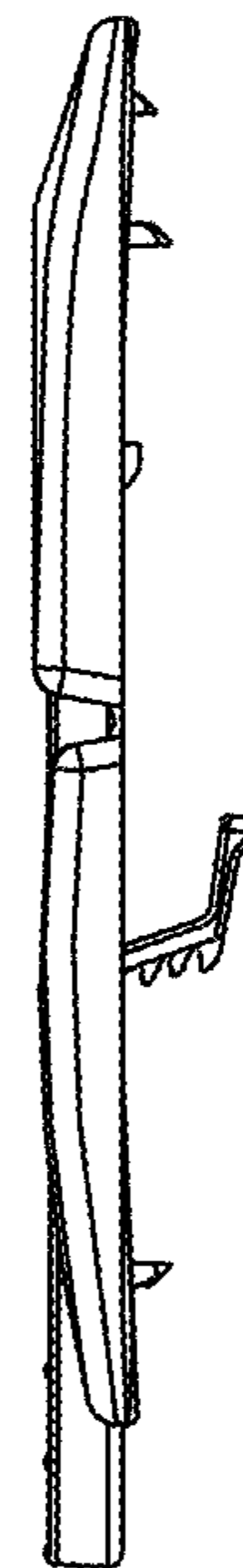


FIG. 7

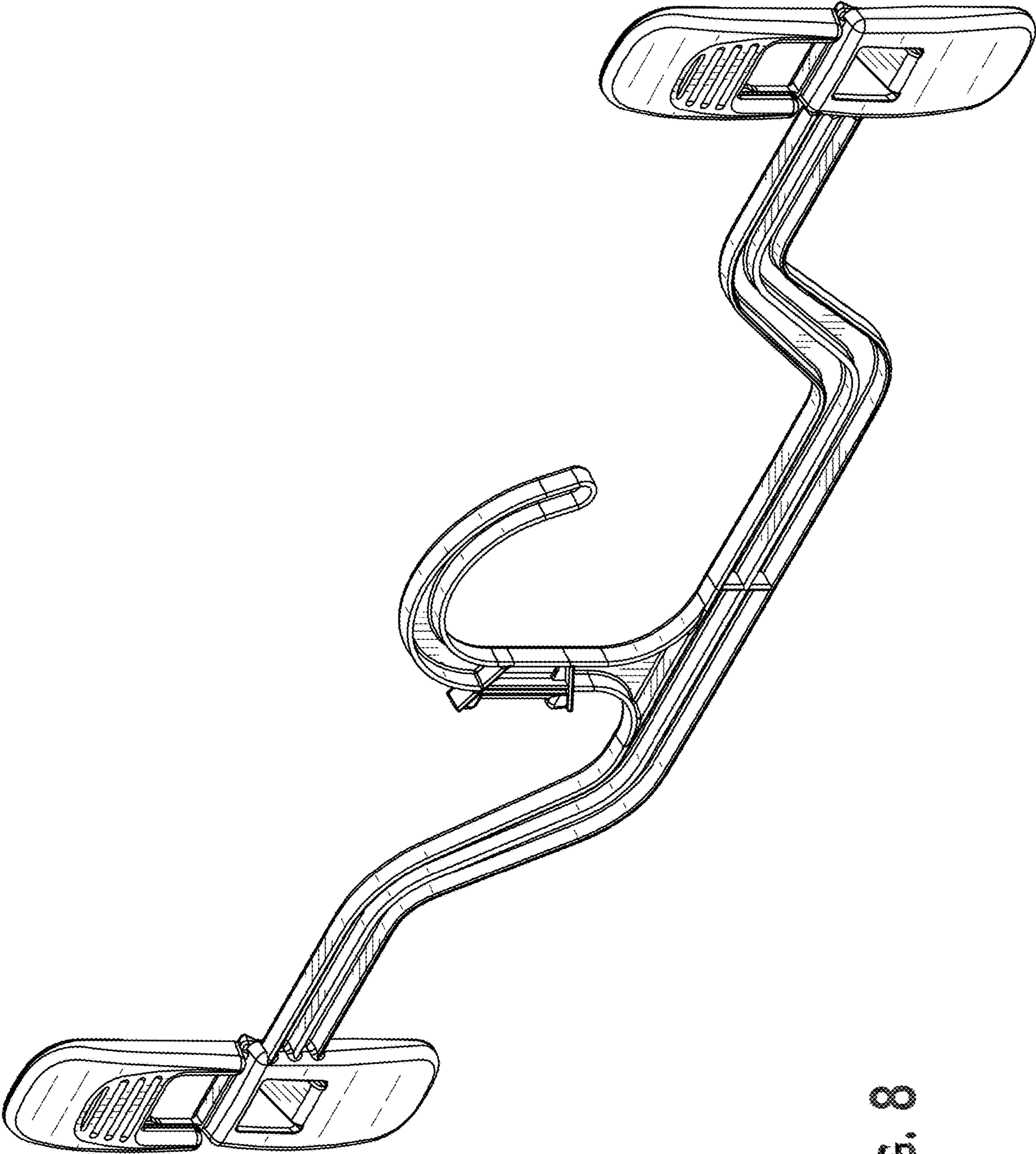


FIG. 8