



US00D876845S

(12) **United States Design Patent**
Gargan

(10) **Patent No.:** **US D876,845 S**
(45) **Date of Patent:** **** Mar. 3, 2020**

(54) **CLOTHING HANGER**
(71) Applicant: **John Gargan**, Bakersfield, CA (US)
(72) Inventor: **John Gargan**, Bakersfield, CA (US)
(**) Term: **15 Years**

2,812,888 A 11/1957 Henderson
2,813,666 A 11/1957 Gene
2,873,898 A 2/1959 Englund
2,917,212 A 12/1959 Parker
D195,158 S 4/1963 Warmath, III
3,138,259 A 6/1964 Sitt
(Continued)

(21) Appl. No.: **29/698,788**
(22) Filed: **Jul. 19, 2019**

FOREIGN PATENT DOCUMENTS

DE 2551090 A1 5/1977
GB 1300225 A 12/1972

Related U.S. Application Data

(62) Division of application No. 29/656,074, filed on Jul. 10, 2018, now Pat. No. Des. 860,658.
(51) **LOC (12) Cl.** **06-08**
(52) **U.S. Cl.**
USPC **D6/319**; D6/317
(58) **Field of Classification Search**
USPC D6/315-328
CPC A47G 25/28; A47G 25/38; A47G 25/14;
A47G 25/442; A47G 25/483; A47G
25/485; A47G 25/4023; Y10S 223/04;
A47F 5/0006
See application file for complete search history.

OTHER PUBLICATIONS

Lee, Christine, Truss Clothing Hanger (Nov. 28, 2017).

Primary Examiner — Lauren R Calve
(74) *Attorney, Agent, or Firm* — Mark D. Miller; Jared E. Christensen

(56) **References Cited**

U.S. PATENT DOCUMENTS

1,638,844 A 8/1927 Gibson
D87,707 S * 9/1932 Bernat D6/319
2,123,259 A 7/1938 Rowe
2,205,489 A 6/1940 Nelson
2,475,992 A * 7/1949 Schliestedt A47G 25/52
223/91
2,575,979 A * 11/1951 Simon A47G 25/487
211/119
2,605,000 A * 7/1952 Tomarin A47G 25/743
211/113
2,630,950 A 3/1953 Kupchick
2,634,031 A 4/1953 Klein
2,678,149 A 5/1954 Walther

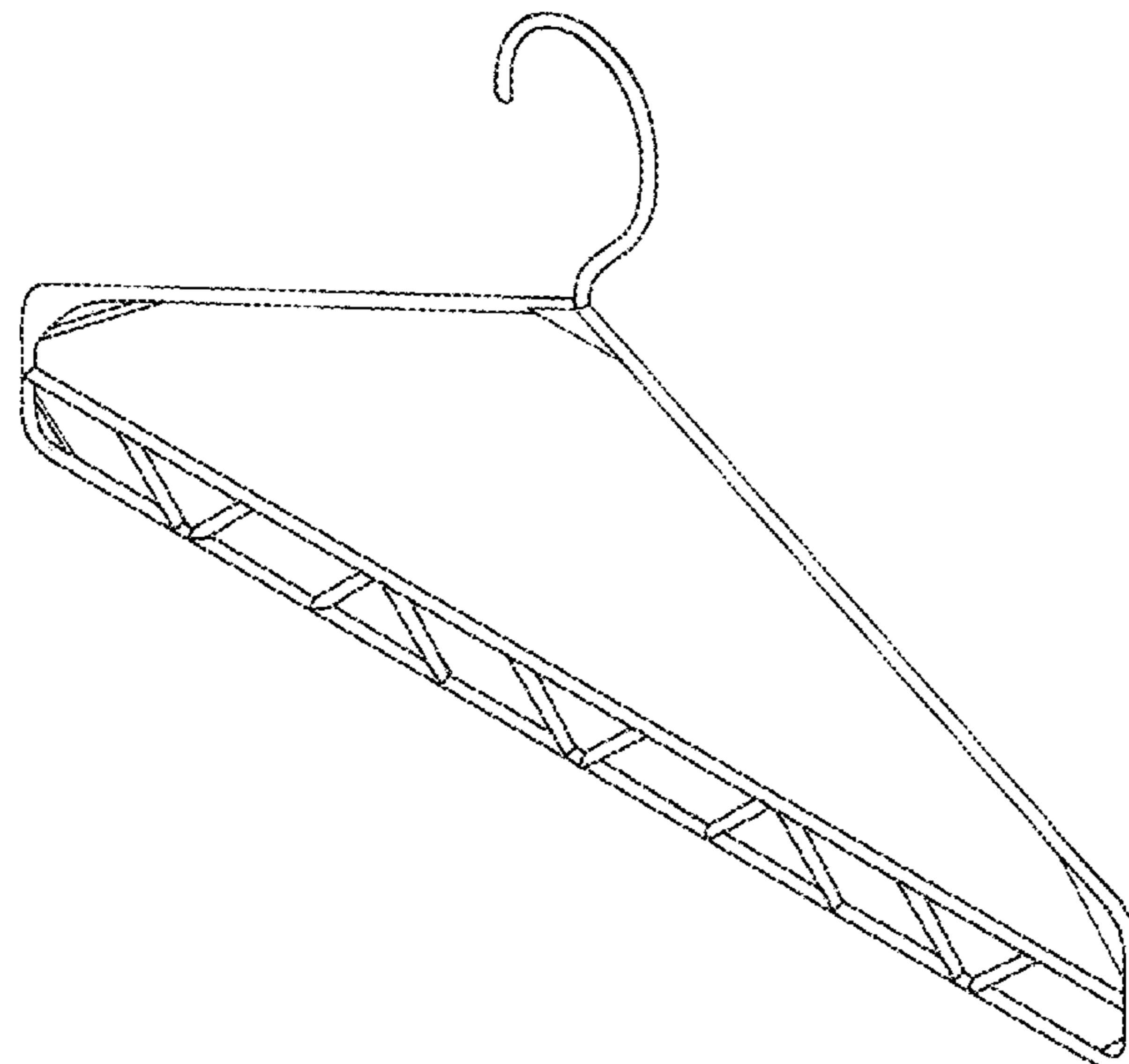
(57) **CLAIM**

I claim the ornamental design for a clothing hanger, as shown and described.

DESCRIPTION

FIG. 1 is a front perspective view of a clothing hanger showing my new design;
FIG. 2 is a rear perspective view of the embodiment of FIG. 1;
FIG. 3 is a left side elevational view of the embodiment of FIG. 1;
FIG. 4 is a front elevational view of the embodiment of FIG. 1;
FIG. 5 is a right side elevational view of the embodiment of FIG. 1;
FIG. 6 is a rear elevational view of the embodiment of FIG. 1;
FIG. 7 is a top plan view of the embodiment of FIG. 1; and, FIG. 8 is a bottom plan view of the embodiment of FIG. 1.

1 Claim, 4 Drawing Sheets



(56)

References Cited

U.S. PATENT DOCUMENTS

3,194,457 A	7/1965	Freilich	4,964,550 A	10/1990	Balkin	
D204,176 S	3/1966	Zuckerman	4,966,287 A	10/1990	Snyder	
3,289,901 A	12/1966	Zwanzig	5,056,693 A	10/1991	DeBoe	
3,406,682 A	10/1968	Phillips	D322,721 S	12/1991	Curry	
3,406,882 A *	10/1968	Phillips A47G 25/28	5,082,152 A	1/1992	Chen	
			D323,941 S *	2/1992	Schwartz	D6/317
			5,085,358 A	2/1992	Lam	
			D342,834 S	1/1994	Lorenzana	
			D409,004 S	5/1999	Bartholow	
			6,230,945 B1	5/2001	Licari et al.	
			D504,577 S	5/2005	Mann	
D229,914 S *	1/1974	Lindemann D6/315	7,290,686 B2	11/2007	von Detten	
3,870,206 A	3/1975	Feinberg	7,377,409 B1	5/2008	Brown	
3,897,893 A *	8/1975	Lemmenes A47G 25/487	D644,845 S	9/2011	Brady	
			D653,460 S	2/2012	Davis	
			D662,717 S	7/2012	Brady	
			D709,292 S	7/2014	Zeldin	
			D806,404 S *	1/2018	Klar	D6/317
			D860,658 S *	9/2019	Gargan	D6/317
			2002/0033403 A1	6/2002	Bennett	
			2008/0000936 A1	1/2008	LaBella	
			2010/0213222 A1	8/2010	Boyko	
			2015/0245724 A1	9/2015	Sut	
3,926,351 A	12/1975	Baer				
D243,055 S	1/1977	Blumberg				
D267,919 S	2/1983	Owens				
D279,627 S	7/1985	Morin				
4,607,771 A	8/1986	Massion				
4,632,286 A	12/1986	Koyama				
4,714,183 A	12/1987	Tontarelli				
D295,579 S	5/1988	Arnold				
D298,185 S	10/1988	Mackie et al.				
D301,187 S	5/1989	Lohnis				
4,951,855 A	8/1990	Jacobson et al.				

* cited by examiner

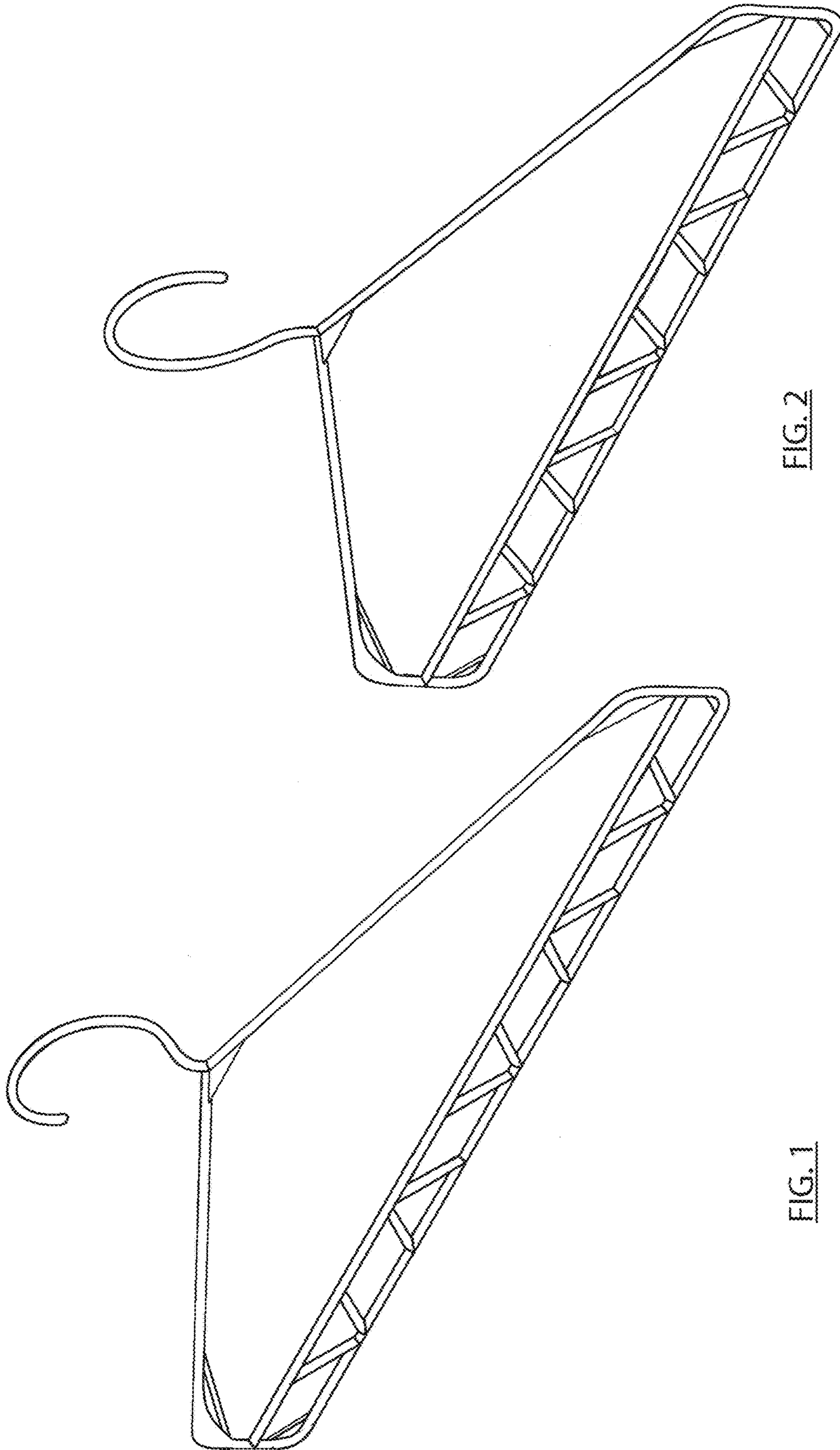


FIG. 2

FIG. 1

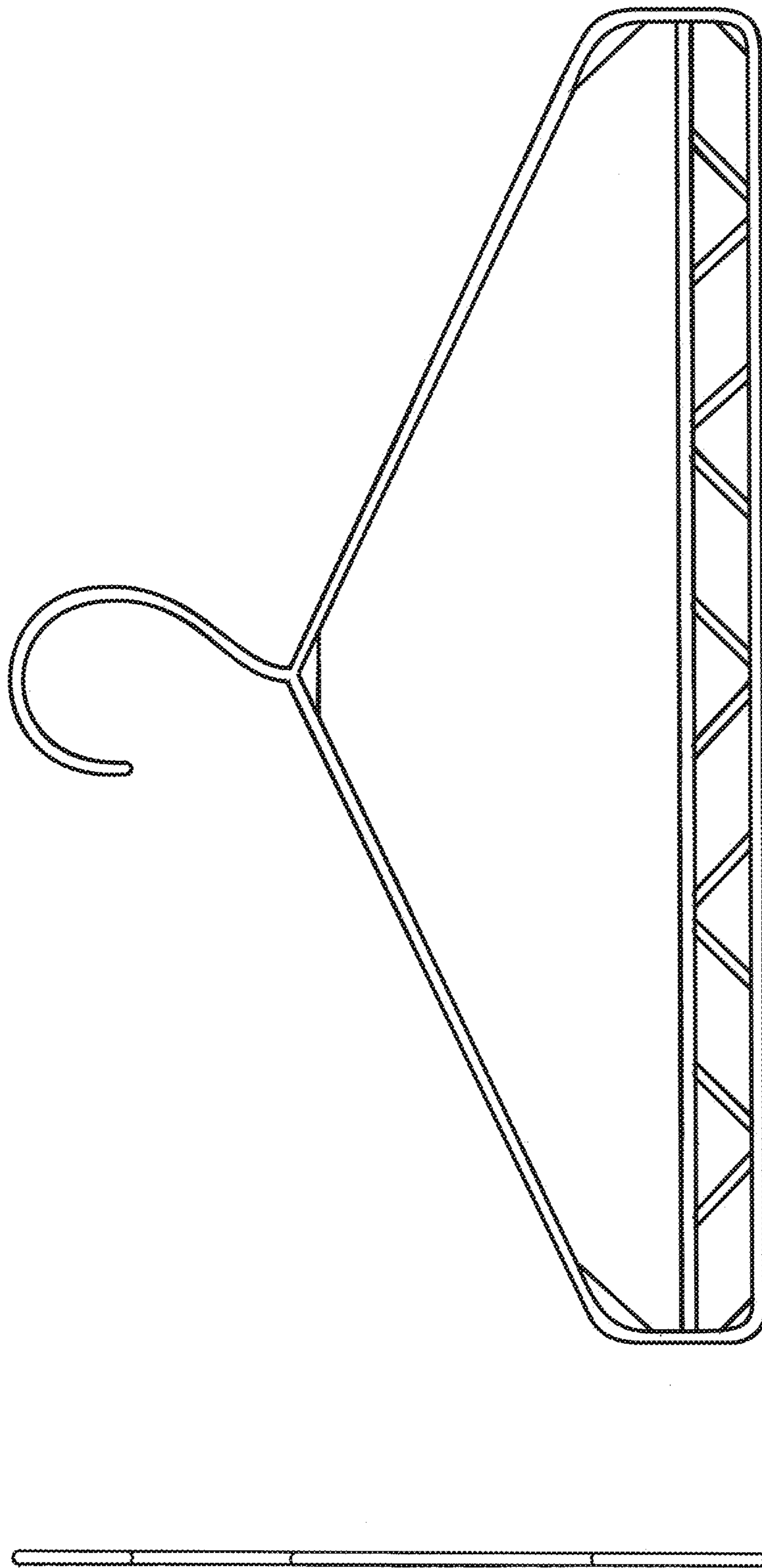


FIG. 4

FIG. 3

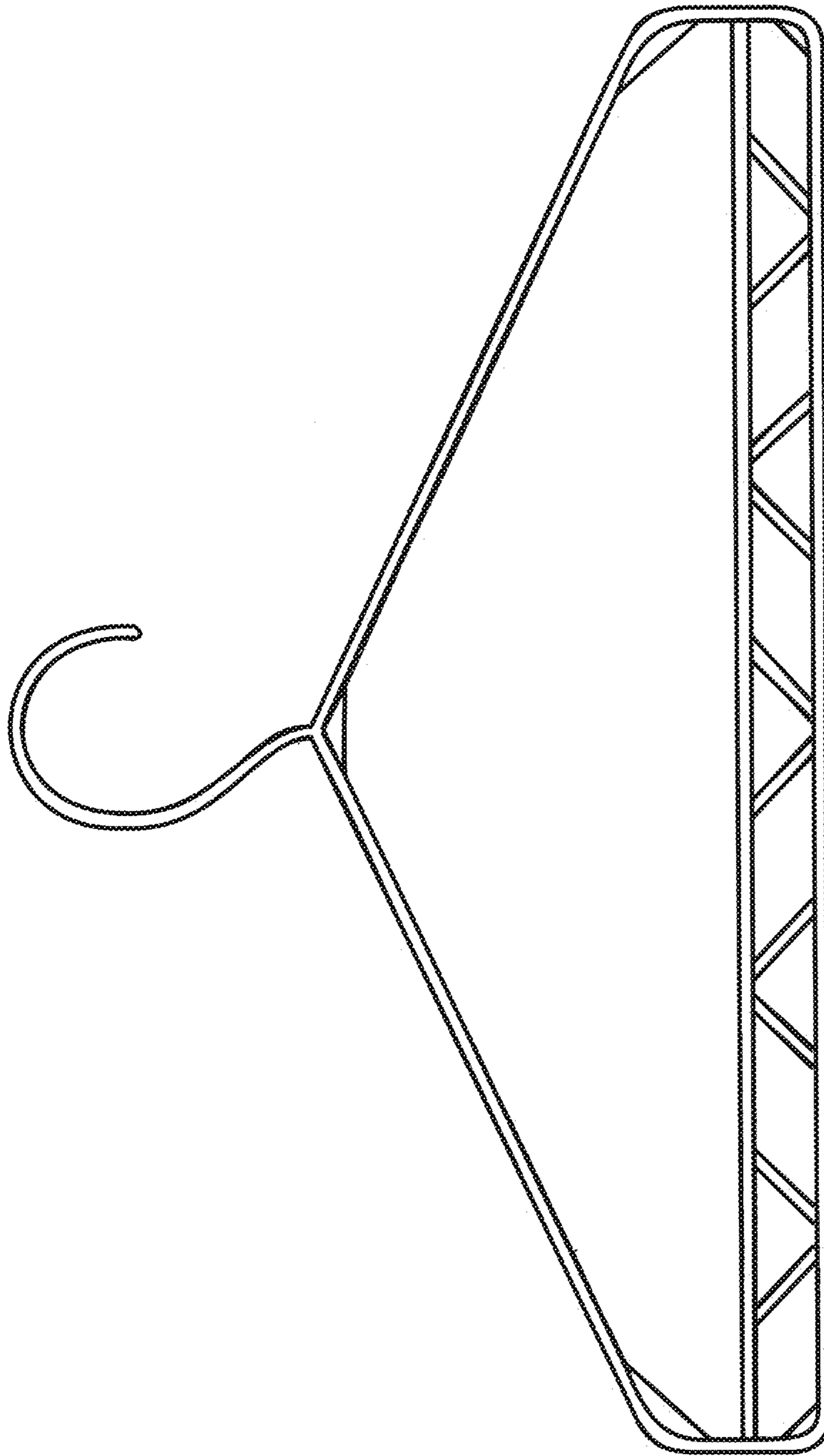


FIG. 6

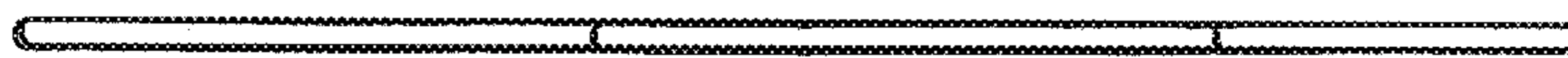


FIG. 5



FIG. 7



FIG. 8