



US00D876838S

(12) **United States Design Patent**
Zhang

(10) **Patent No.:** **US D876,838 S**
(45) **Date of Patent:** **** Mar. 3, 2020**

(54) **LINERS OF A BAG FOR NOTEBOOK COMPUTERS**

D412,267 S * 7/1999 Anderson D7/605
6,079,528 A * 6/2000 Moor A45C 3/02
150/128
D730,047 S * 5/2015 Yi D3/247
D835,409 S * 12/2018 Justiss D3/247

(71) Applicant: **Shenzhen Tomtoc Technology Co., Ltd.**, Guangdong (CN)

* cited by examiner

(72) Inventor: **Hai Zhang**, Guangdong (CN)

Primary Examiner — Holly H Baynham

(**) Term: **15 Years**

(74) *Attorney, Agent, or Firm* — Prakash Nama; Global IP Services, PLLC

(21) Appl. No.: **29/662,126**

(22) Filed: **Sep. 3, 2018**

(51) **LOC (12) Cl.** **03-01**

(57) **CLAIM**

(52) **U.S. Cl.**
USPC **D3/319; D3/318**

The ornamental design for the liners of a bag for notebook computers, as shown and described.

(58) **Field of Classification Search**
USPC D3/318, 319
CPC A45C 13/08; A45C 13/28; A45C 13/26;
A45C 3/00; A45C 5/00; A45C 7/00
See application file for complete search history.

DESCRIPTION

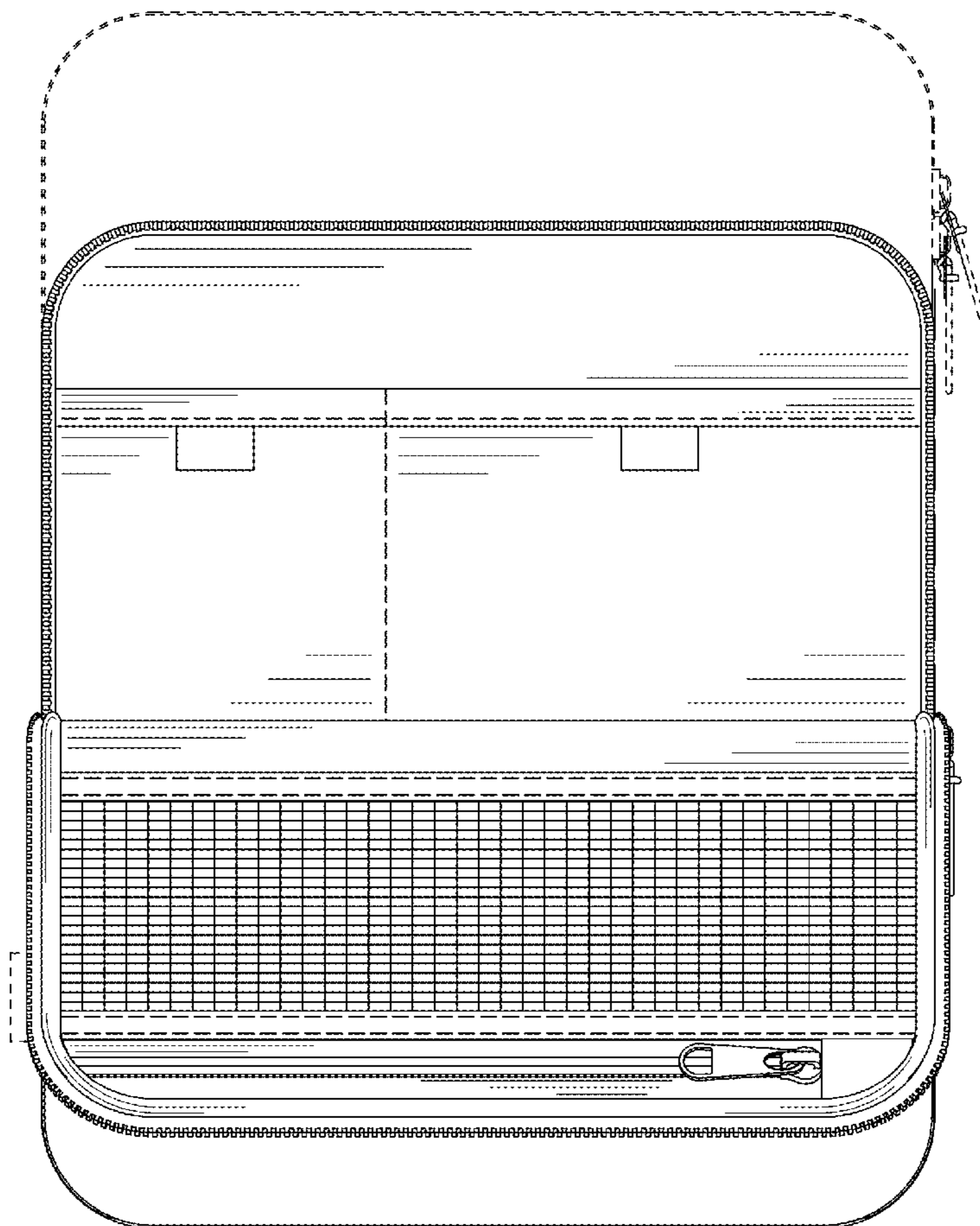
(56) **References Cited**

FIG. 1 is a front elevational view of the liners of a bag for notebook computers showing my new design; FIG. 2 is a perspective view thereof; and, FIG. 3 is another perspective view thereof. The broken lines illustrate environmental features that form no part of the claimed design.

U.S. PATENT DOCUMENTS

5,329,947 A * 7/1994 Shikler A45C 11/008
132/291
D393,947 S * 5/1998 Alves D3/201

1 Claim, 3 Drawing Sheets



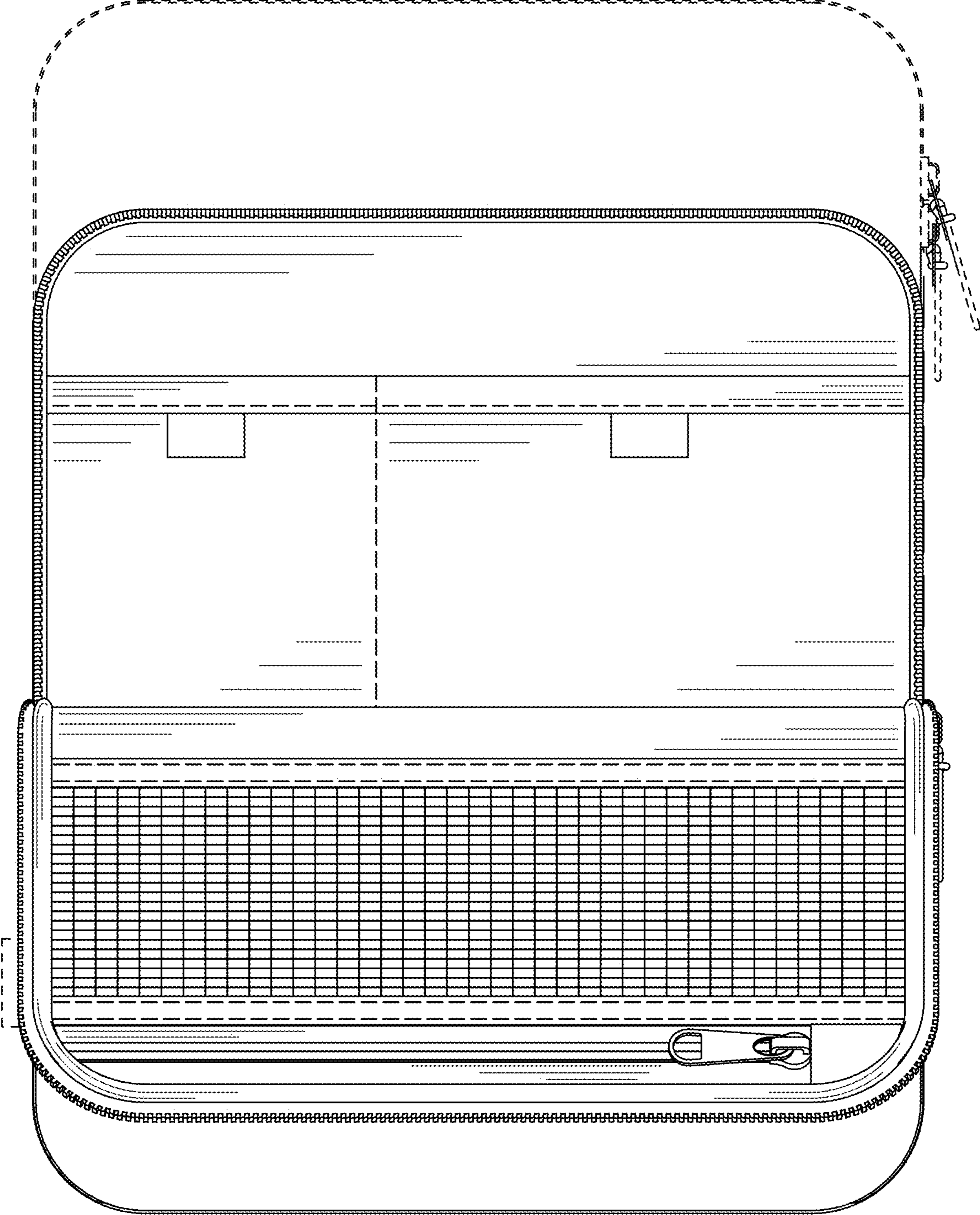


Fig. 1

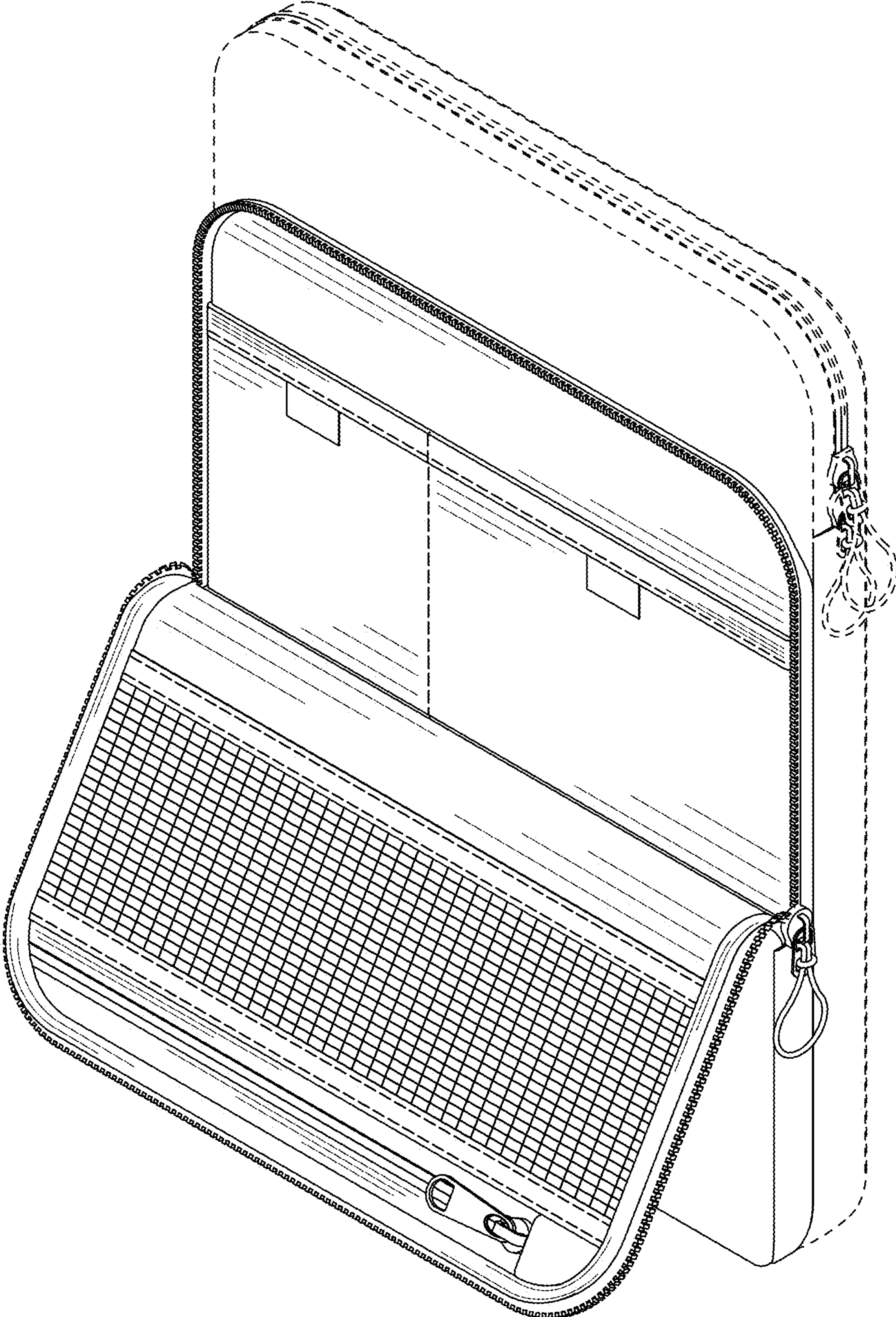


Fig. 2

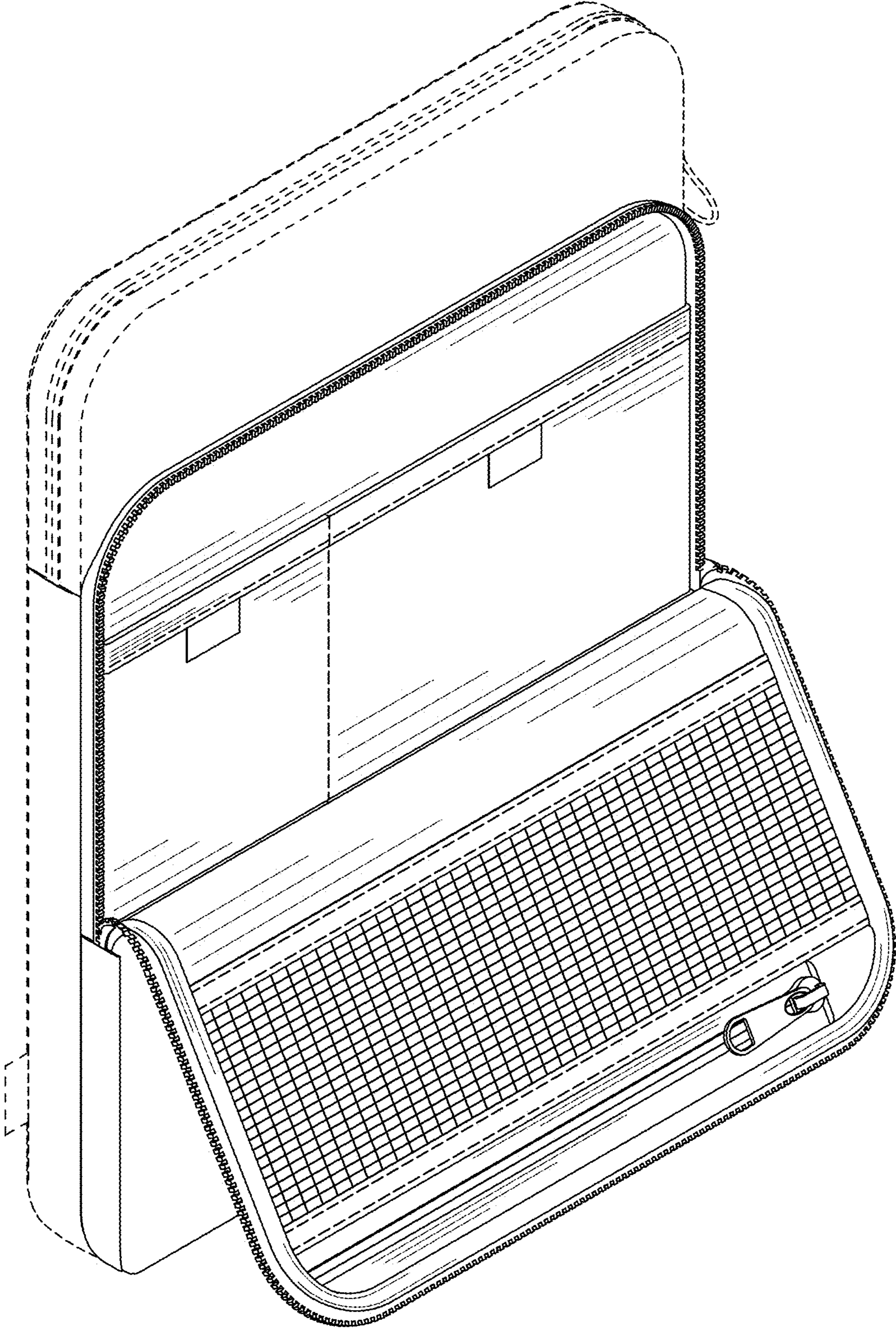


Fig. 3