



US00D876837S

(12) **United States Design Patent**  
**Drumm**

(10) **Patent No.:** **US D876,837 S**

(45) **Date of Patent:** **\*\* Mar. 3, 2020**

(54) **CORNER PROTECTOR FOR A SUITCASE OR TRUNK**

(56) **References Cited**

U.S. PATENT DOCUMENTS

(71) Applicant: **Penn Elcom Ltd.**, Washington Tyne & Wear (GB)

D710,614 S *	8/2014	Meersschaert .....	D3/318
D718,936 S *	12/2014	Sanz .....	D3/318
D728,239 S *	5/2015	Sanz .....	D3/318
9,119,611 B2 *	9/2015	Super .....	A61L 2/26
D783,856 S *	4/2017	Super .....	D24/227

(72) Inventor: **Martin Drumm**, Odenbach (DE)

\* cited by examiner

(73) Assignee: **Penn Elcom Ltd.**, Washington Tyne & Wear (GB)

*Primary Examiner* — Holly H Baynham

(\*\*) Term: **15 Years**

(74) *Attorney, Agent, or Firm* — Brinks Gilson & Lione

(21) Appl. No.: **29/658,395**

(57) **CLAIM**

(22) Filed: **Jul. 31, 2018**

The ornamental design for a corner protector for a suitcase or trunk, as shown and described.

**DESCRIPTION**

(30) **Foreign Application Priority Data**

Feb. 20, 2018 (EP) ..... 004716637

(51) **LOC (12) Cl.** ..... **03-01**

(52) **U.S. Cl.**  
USPC ..... **D3/318**

(58) **Field of Classification Search**  
USPC ..... D3/318, 273, 279, 285, 289  
CPC ..... A45C 11/18; A47B 95/00  
See application file for complete search history.

FIG. 1 is a bottom-right perspective view of the corner protector;  
FIG. 2 is a bottom-front-right perspective view thereof;  
FIG. 3 is a bottom-front perspective view thereof;  
FIG. 4 is a bottom view thereof;  
FIG. 5 is a front view thereof;  
FIG. 6 is a right side view thereof; and,  
FIG. 7 is a top view thereof.

**1 Claim, 7 Drawing Sheets**

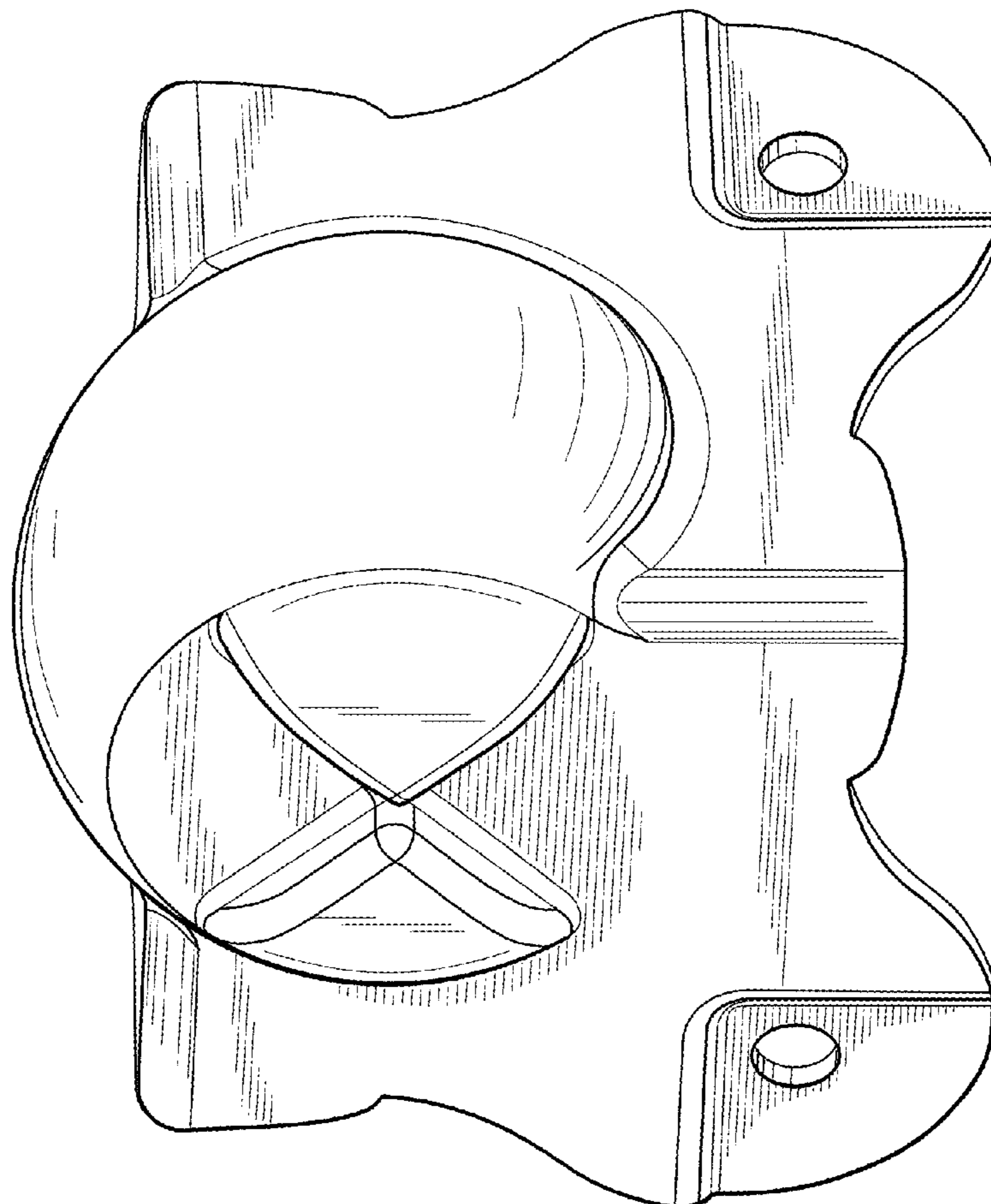


FIG. 1

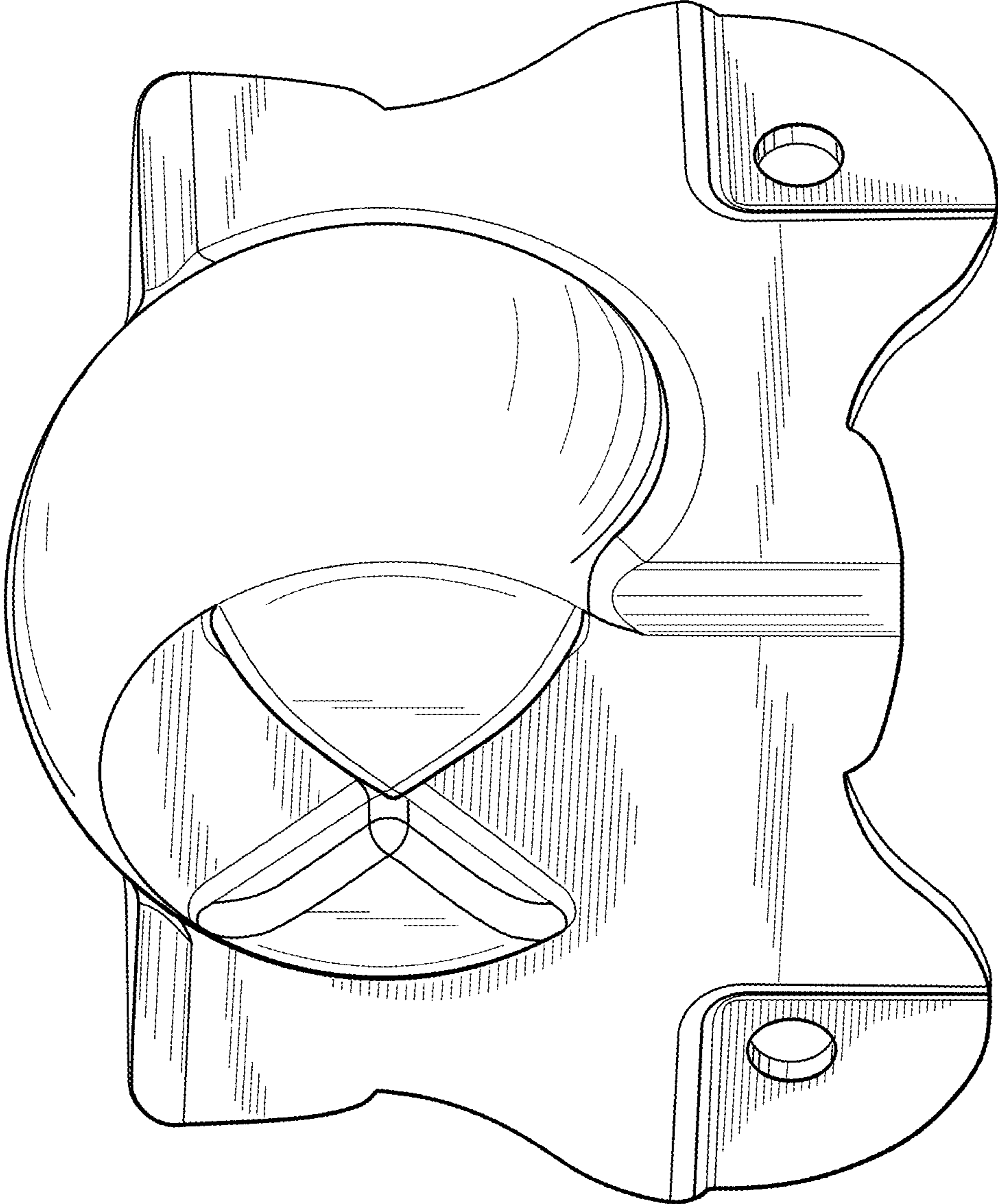


FIG. 2

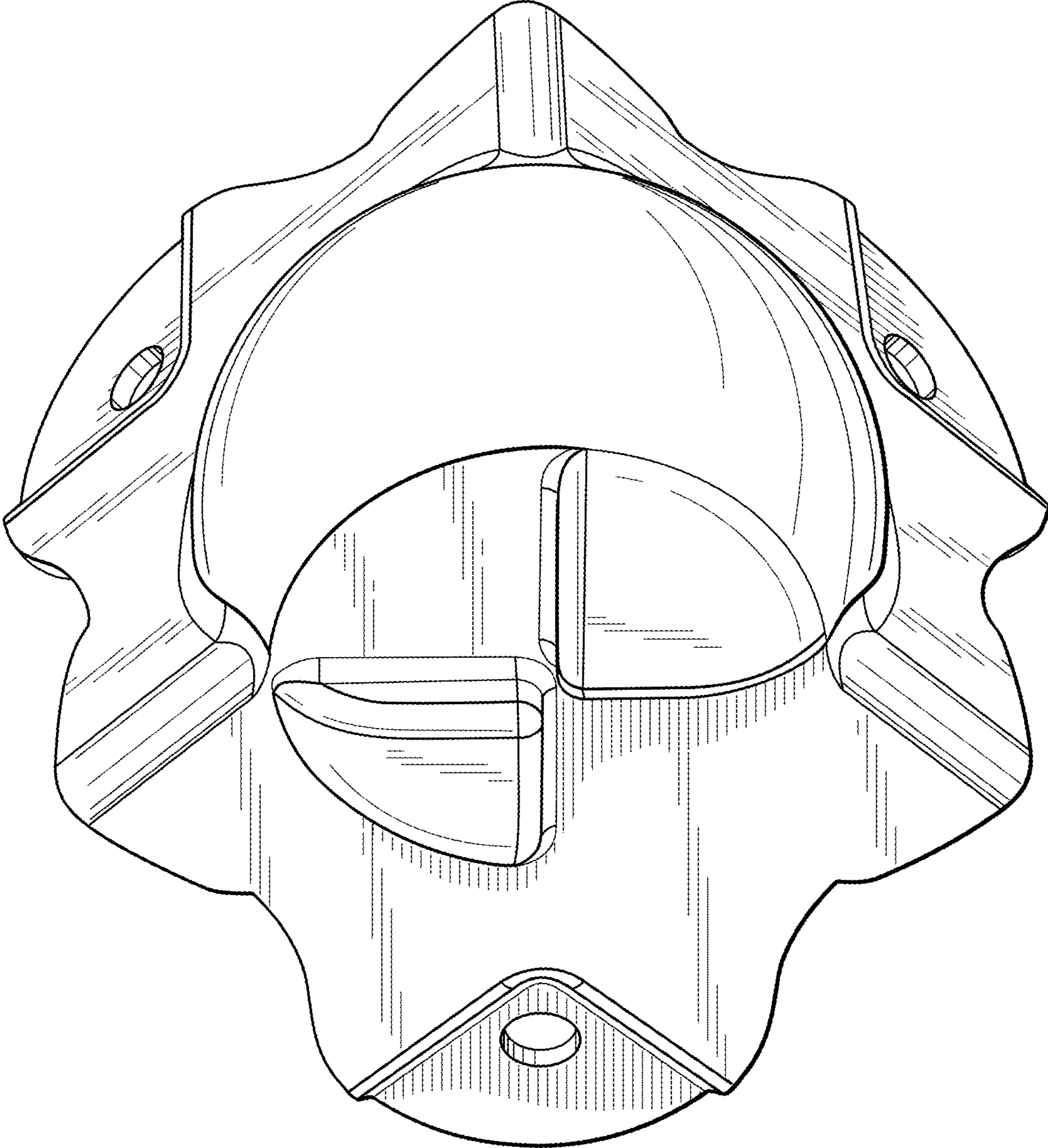


FIG. 3

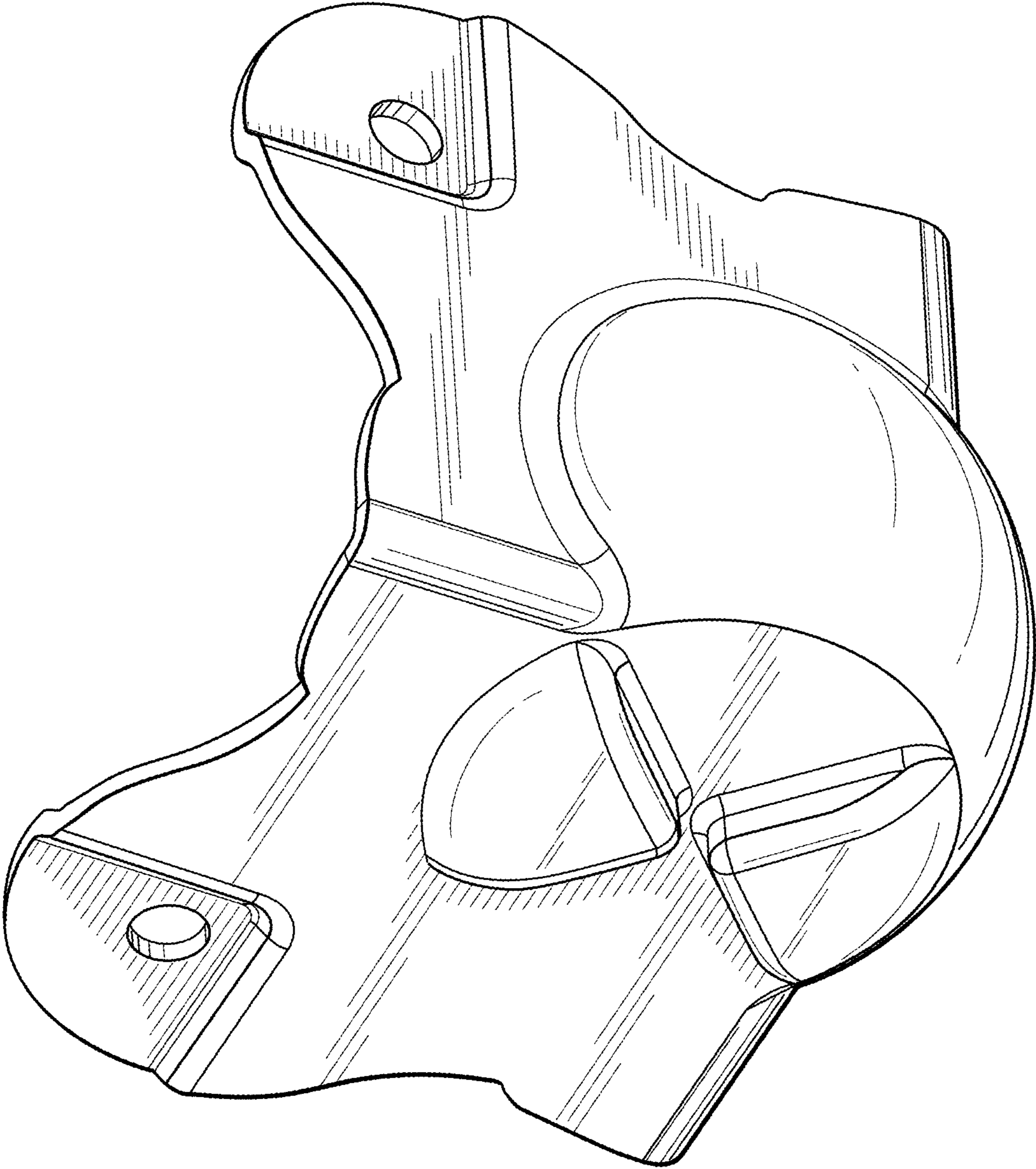


FIG. 4

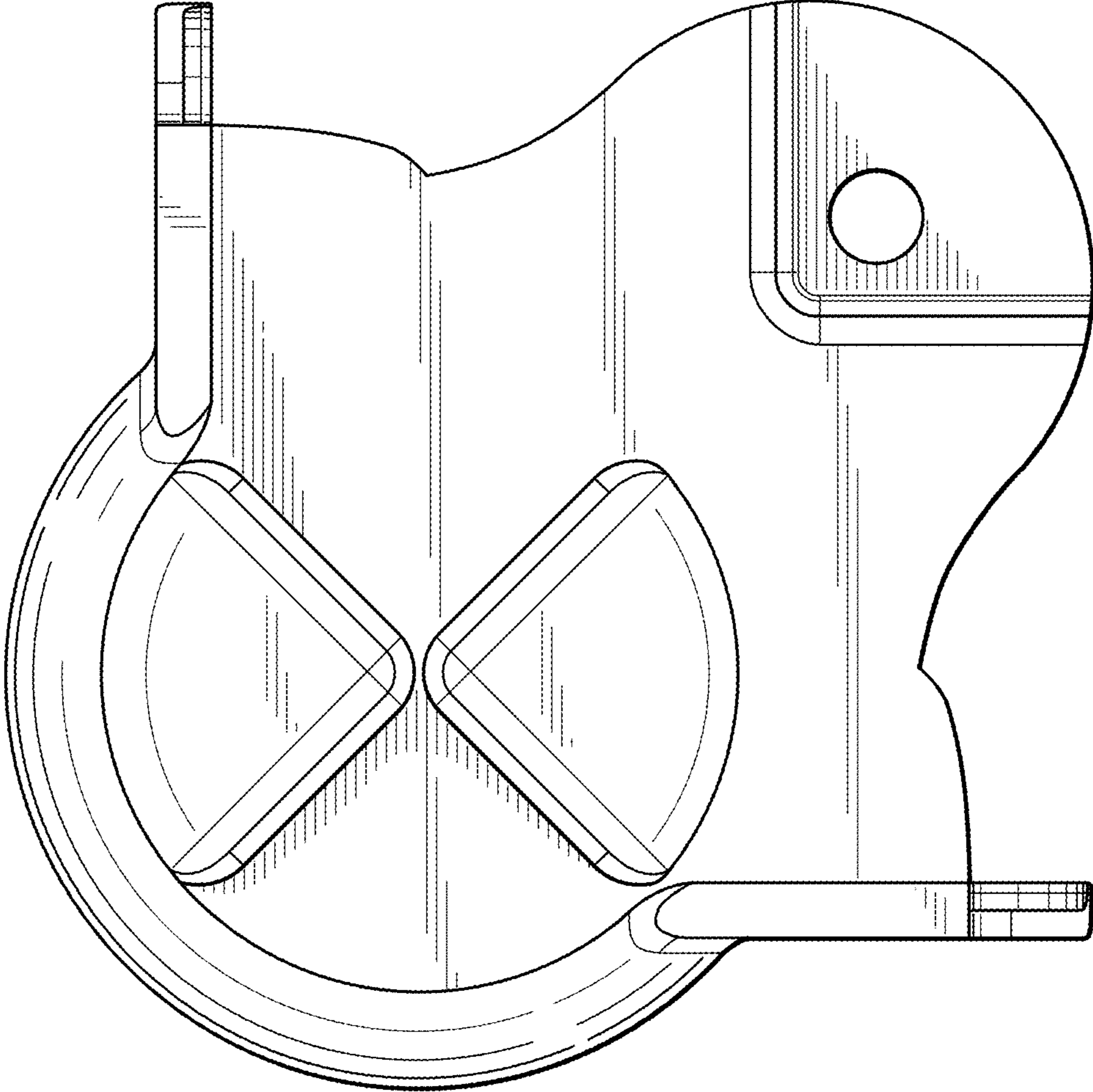


FIG. 5

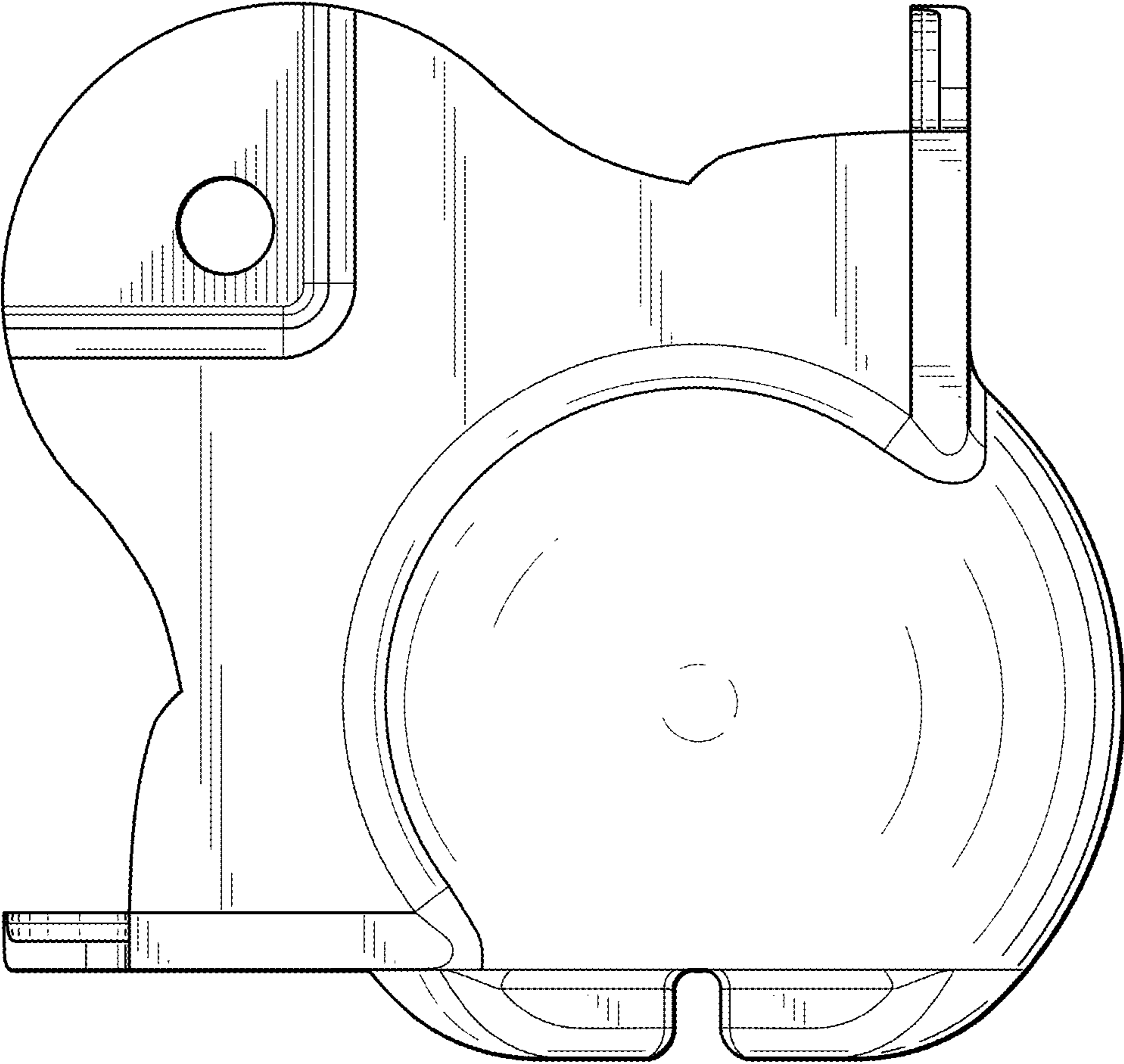


FIG. 6

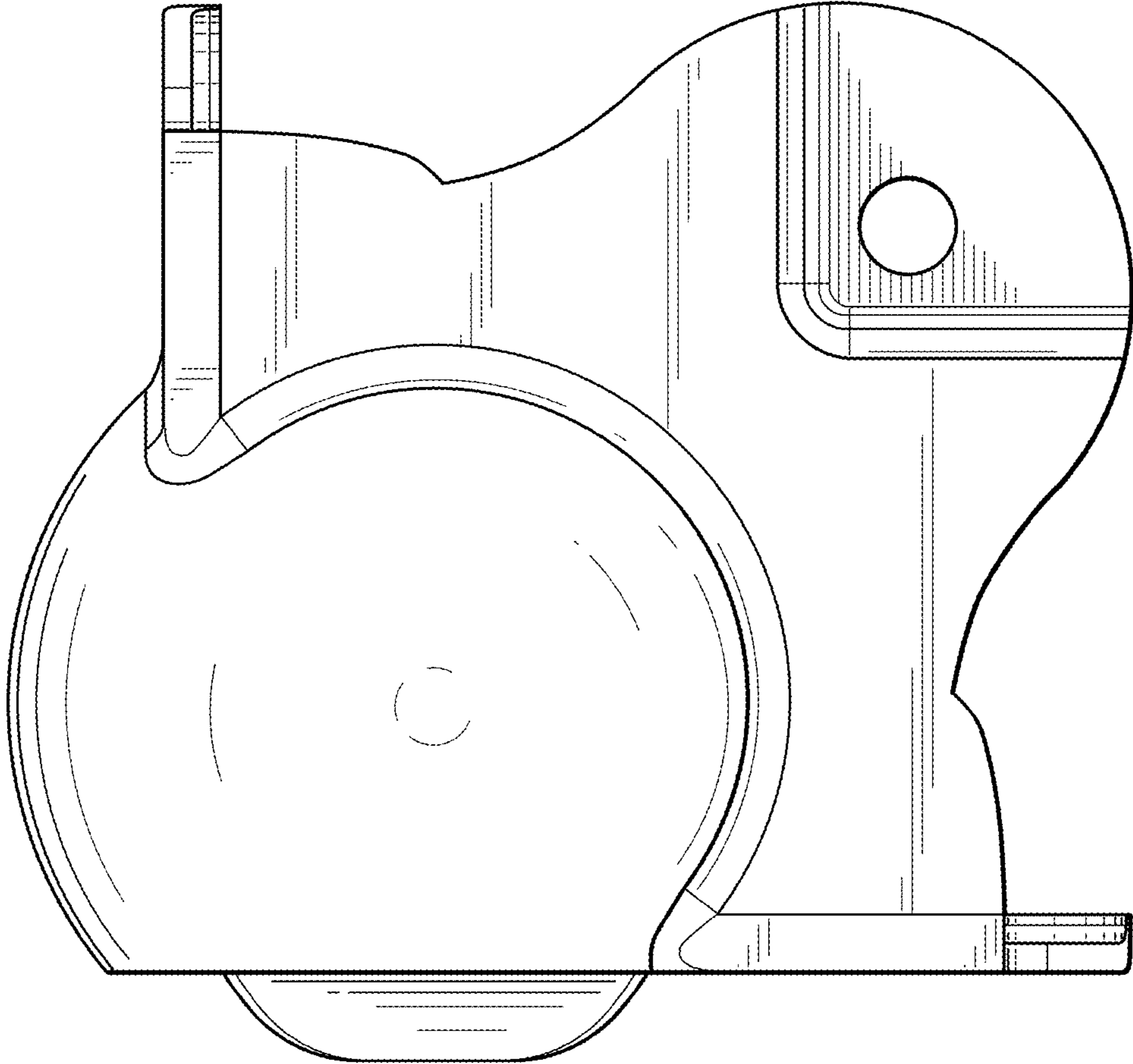


FIG. 7

