



US00D876832S

(12) **United States Design Patent**
Rodriguez

(10) **Patent No.:** **US D876,832 S**

(45) **Date of Patent:** **** Mar. 3, 2020**

(54) **EYEGGLASS HOLDER**

(71) Applicant: **Reinaldo R Rodriguez**, Orlando, FL
(US)

(72) Inventor: **Reinaldo R Rodriguez**, Orlando, FL
(US)

(**) Term: **15 Years**

(21) Appl. No.: **29/648,528**

(22) Filed: **May 22, 2018**

(51) **LOC (12) Cl.** **03-01**

(52) **U.S. Cl.**
USPC **D3/266; D3/265**

(58) **Field of Classification Search**
USPC D3/207, 215, 219, 229, 263–268, 301,
D3/211; D12/417; D16/330, 339;
24/3.3, 3.7, 3.8, 563; 206/5, 5.1, 6;
248/902; 351/112, 155; D8/356, 367,
D8/371

CPC A45C 11/04; A45C 11/005; A47F 7/02;
A47F 7/021

See application file for complete search history.

(56) **References Cited**

U.S. PATENT DOCUMENTS

D292,595 S *	11/1987	Tanaka	D12/417
D312,922 S *	12/1990	Levy	D12/191
5,046,696 A *	9/1991	Lee	A47F 7/021
				248/205.3
5,137,242 A *	8/1992	Reath	A47F 7/021
				248/309.1
D385,415 S *	10/1997	Turbide	D3/207
5,842,613 A *	12/1998	White	A45F 5/02
				224/250
6,206,258 B1 *	3/2001	Calder	B62J 11/00
				224/251
D447,048 S *	8/2001	Beloff	D8/395
D448,554 S *	10/2001	Zelman	D3/219

D458,744 S *	6/2002	Chan	D12/417
D471,709 S *	3/2003	Coyne	D3/263
D479,907 S *	9/2003	Ruiz	24/3.6
D487,344 S *	3/2004	Sieger	D3/219
D514,310 S *	2/2006	Roye	D3/207
7,200,897 B2 *	4/2007	Silvestro	G02C 3/04
				24/3.3
7,553,018 B1 *	6/2009	Riazi	A45F 5/02
				24/3.3
D605,398 S *	12/2009	Rodriguez	D3/219
7,850,302 B1 *	12/2010	Riazi	A45F 5/02
				24/3.3
D641,153 S *	7/2011	van den Hurk	D3/215
D649,581 S *	11/2011	Foulger	D16/339
D652,830 S *	1/2012	Nazar	D12/417
D657,551 S *	4/2012	Lynn	D3/203.1
D671,826 S *	12/2012	Adams, IV	D8/395

(Continued)

Primary Examiner — T Chase Nelson

(74) *Attorney, Agent, or Firm* — William M. Hobby, III

(57) **CLAIM**

The ornamental design for an eyeglass holder, as shown and described.

DESCRIPTION

FIG. 1 is a front right side perspective of my new eyeglass holder;

FIG. 2 is a bottom right side perspective view thereof;

FIG. 3 is a top plan view thereof;

FIG. 4 is a front elevation thereof;

FIG. 5 is a bottom plan view thereof;

FIG. 6 is a right side elevation thereof;

FIG. 7 is a rear elevation thereof;

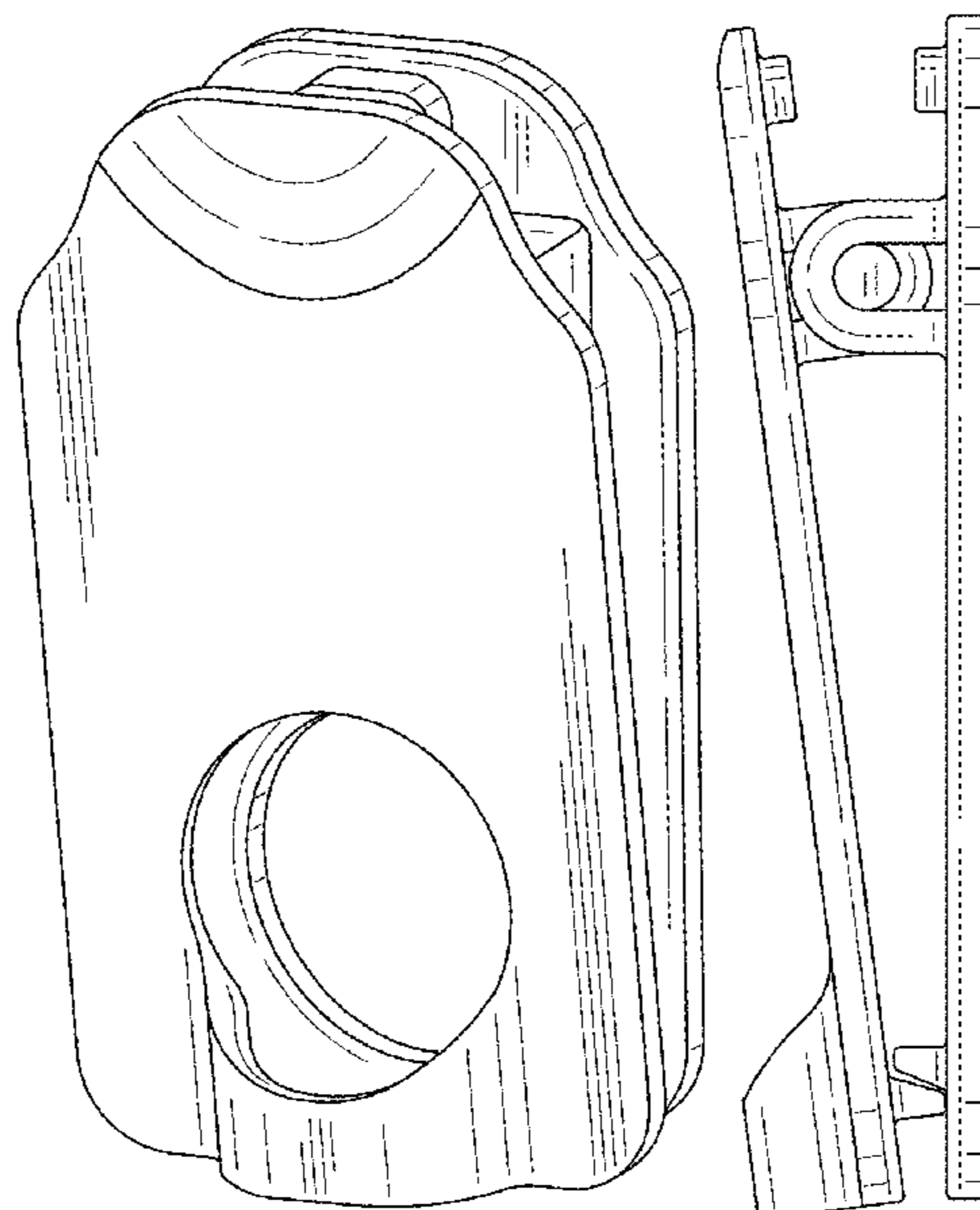
FIG. 8 is a rear right side perspective view with open clamp jaws;

FIG. 9 is a front left side perspective with open clamp jaws;

and,

FIG. 10 is a left side elevation with open clamp jaws.

1 Claim, 4 Drawing Sheets



(56)

References Cited

U.S. PATENT DOCUMENTS

8,381,359	B1 *	2/2013	McArdle	A45F 5/02 2/209.13
D717,541	S *	11/2014	Forbus	D3/266
D745,776	S *	12/2015	Perreault	D3/215
D756,644	S *	5/2016	Murphy, Jr.	D3/266
D773,801	S *	12/2016	Baldwin	D3/207
D805,298	S *	12/2017	Shalon	D3/265
D823,103	S *	7/2018	Glasscock	D8/395
D833,139	S *	11/2018	Hadden	D3/207
D836,337	S *	12/2018	Stark	D3/266
D839,590	S *	2/2019	Vedder	D3/222
D839,592	S *	2/2019	Balchunas	D3/229
2010/0180406	A1 *	7/2010	Mor	G02C 3/04 24/3.3
2010/0229348	A1 *	9/2010	Pike	A45C 11/16 24/3.7
2014/0317886	A1 *	10/2014	Shwartz	A45F 5/00 24/3.3
2015/0013114	A1 *	1/2015	Grame	A42B 1/247 24/3.8

* cited by examiner

FIG. 1

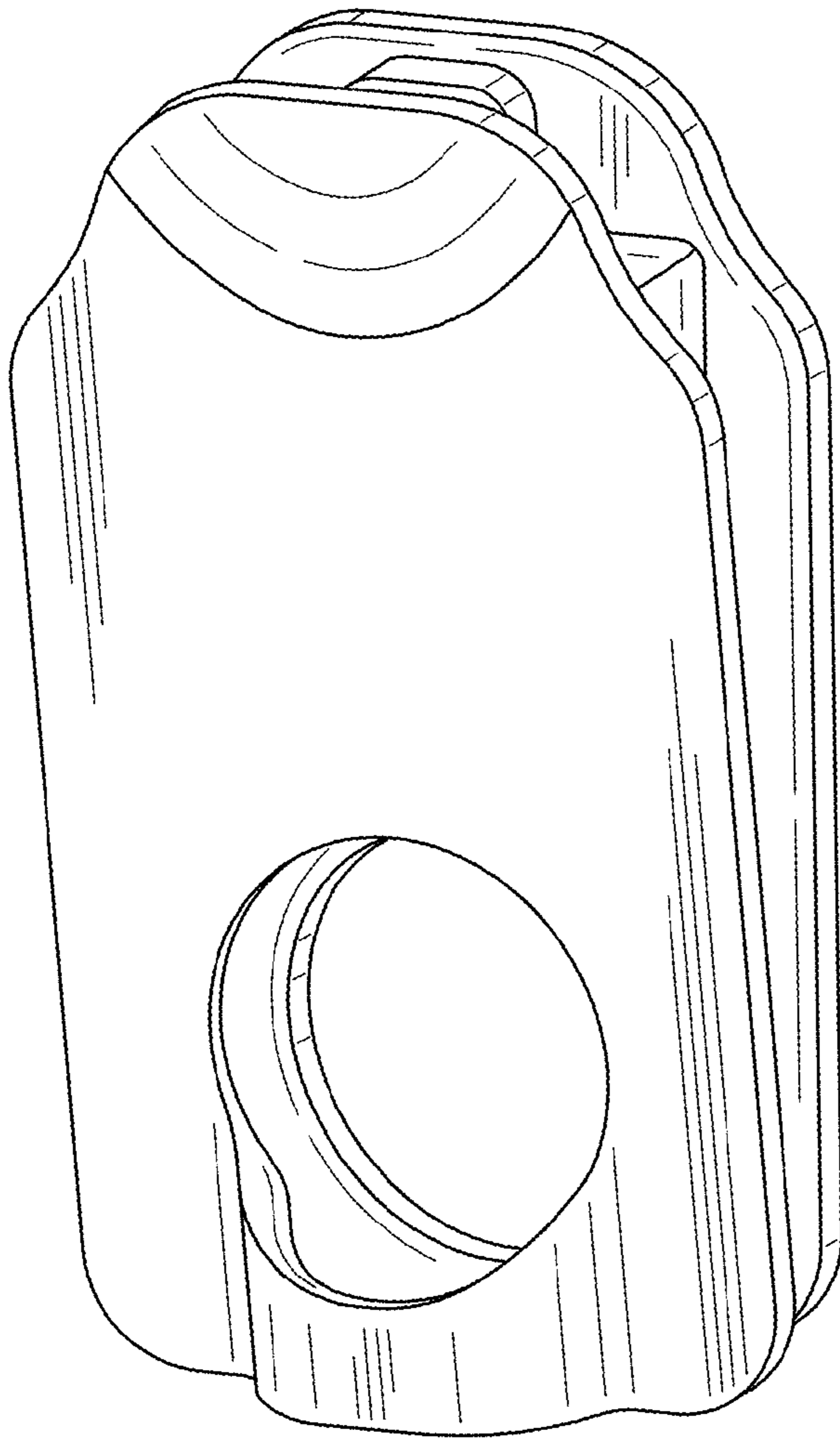


FIG. 2

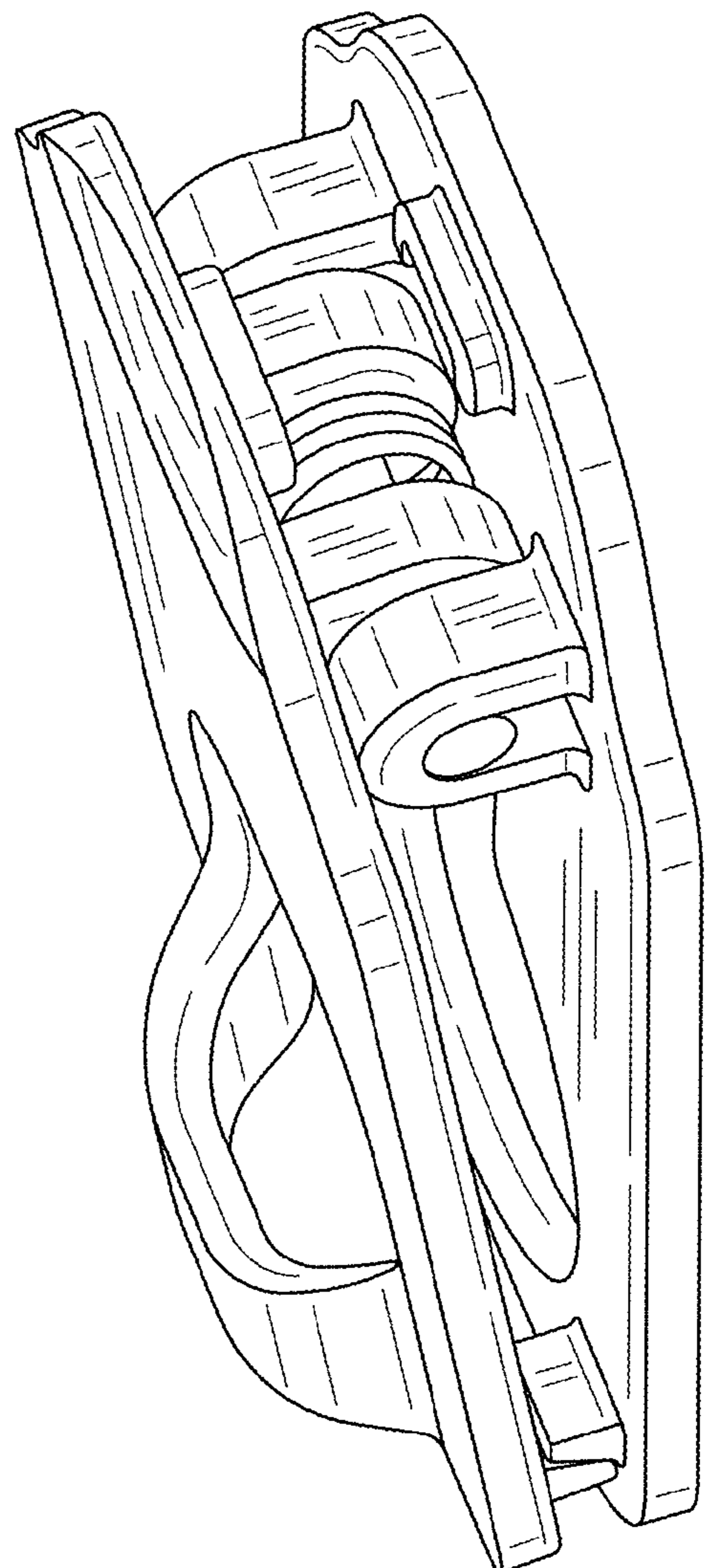


FIG. 3

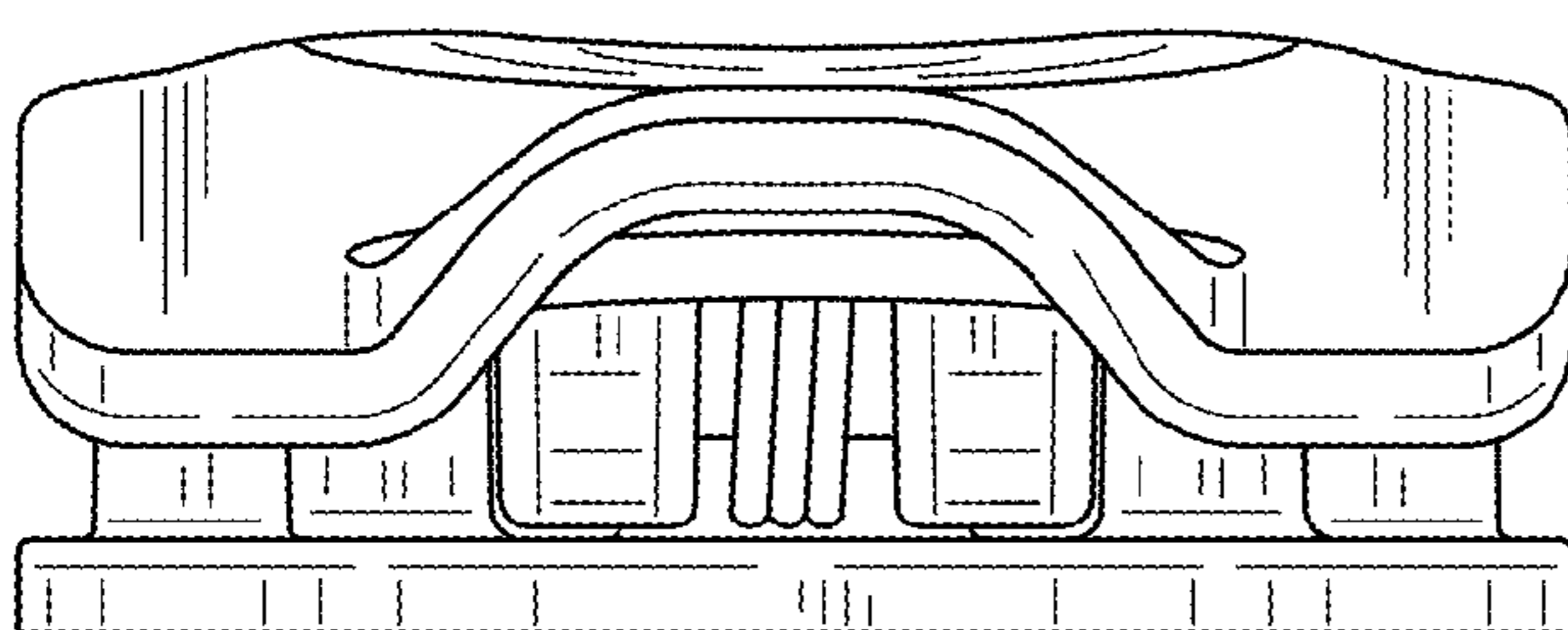


FIG. 4

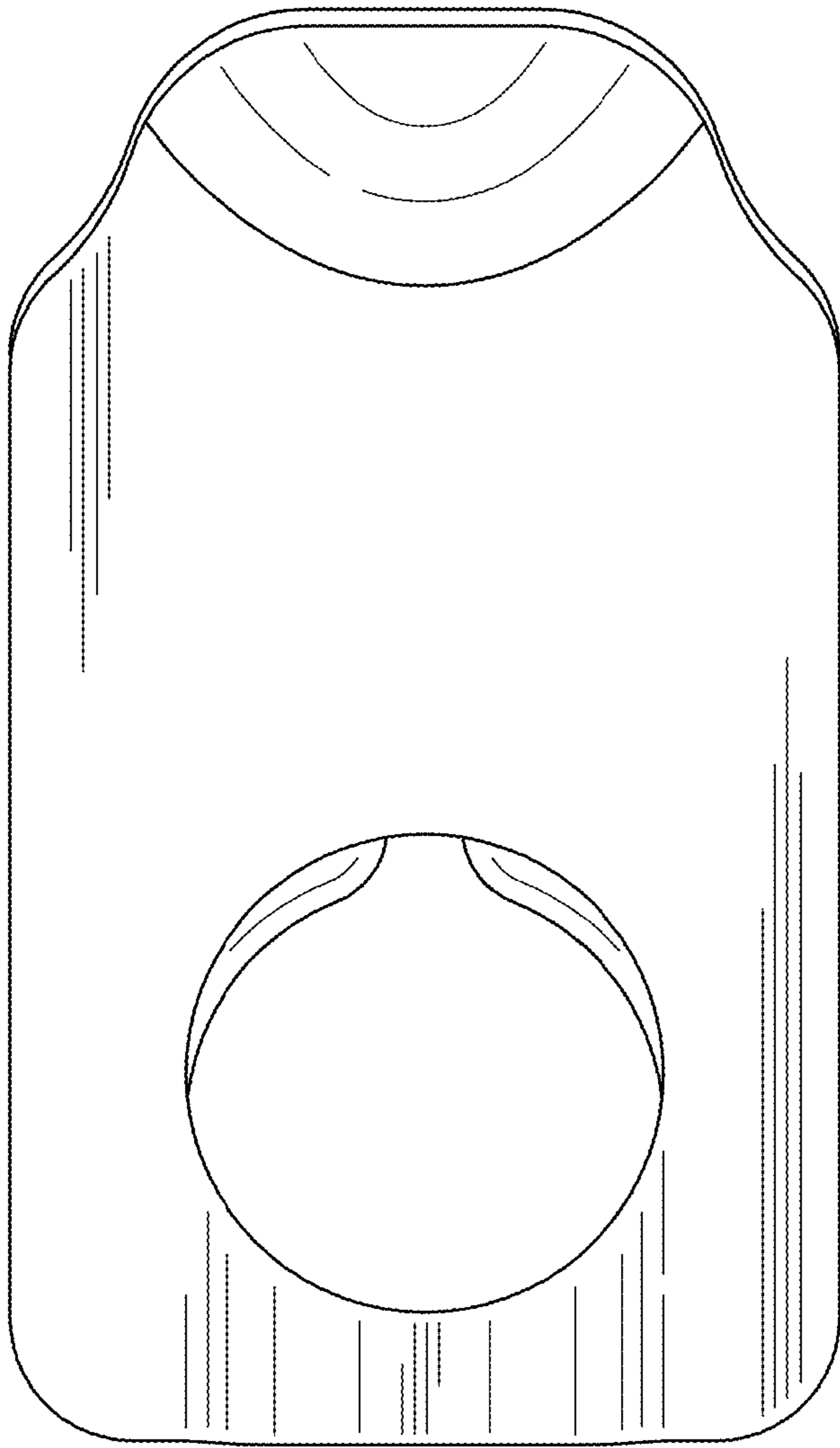


FIG. 6

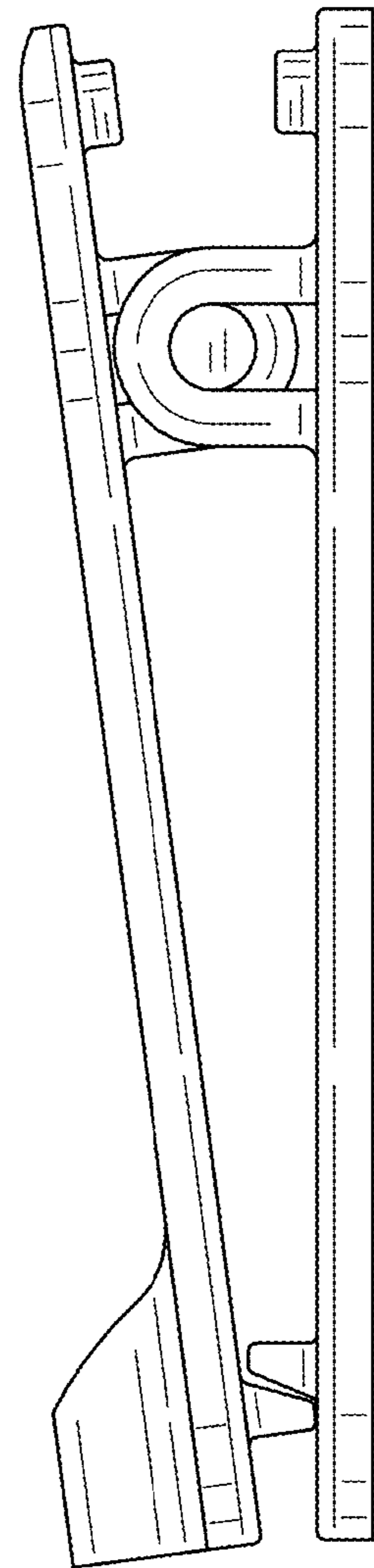


FIG. 5

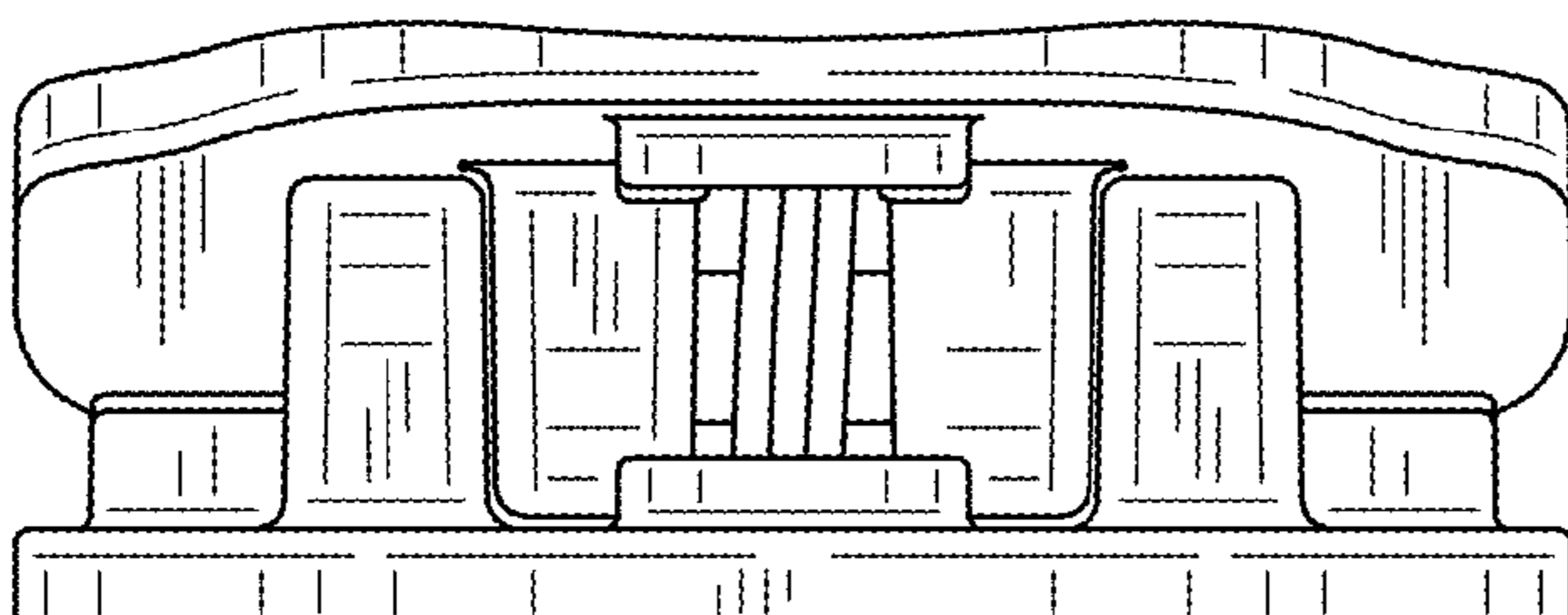


FIG. 7

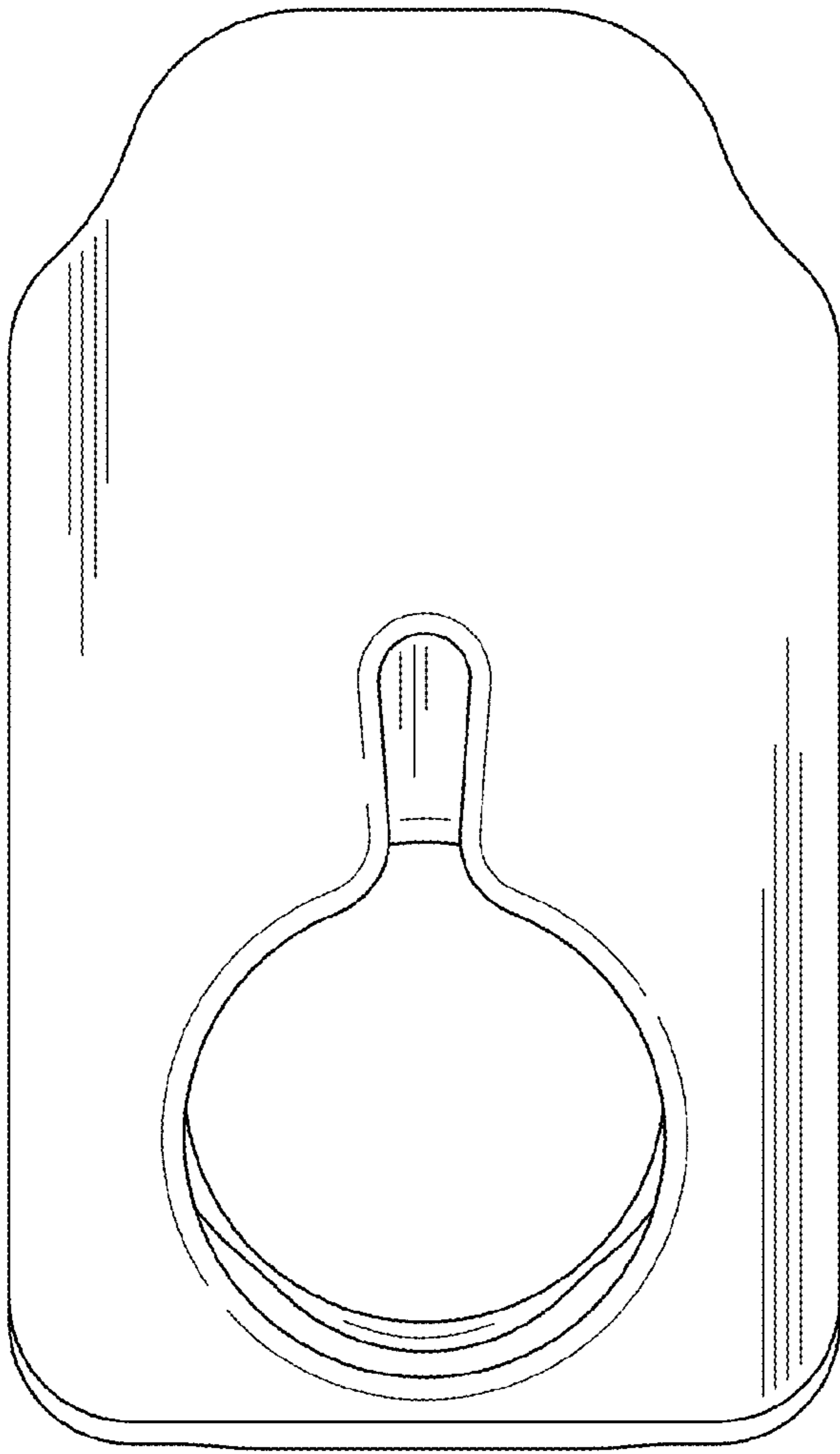


FIG. 8

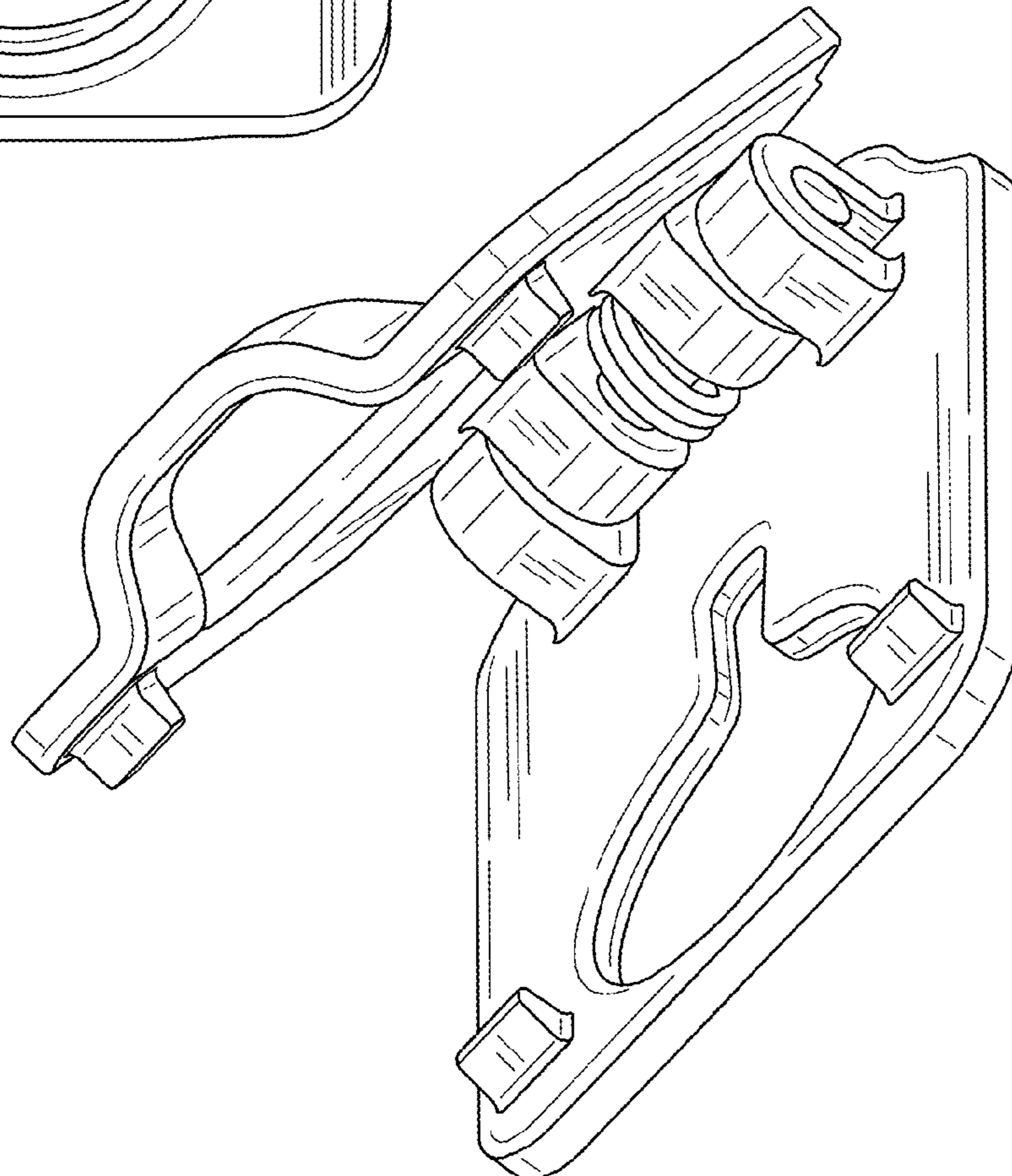


FIG. 9

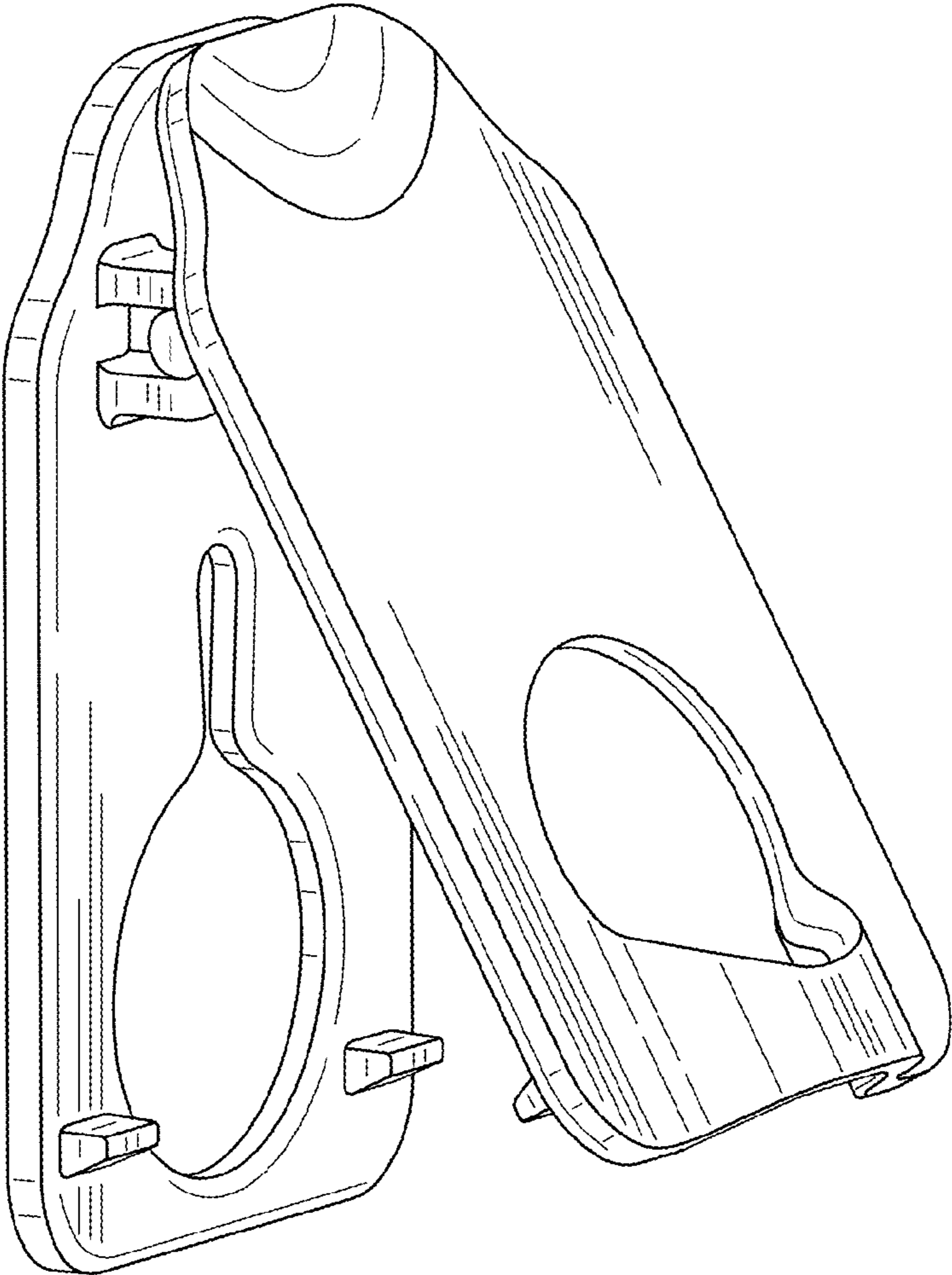


FIG. 10

