

US00D876830S

(12) **United States Design Patent**
Spaziani

(10) **Patent No.:** **US D876,830 S**
(45) **Date of Patent:** **** Mar. 3, 2020**

- (54) **HANDBAG**
- (71) Applicant: **LOUIS VUITTON MALLETIER**,
Paris (FR)
- (72) Inventor: **Darren Spaziani**, New York, NY (US)
- (73) Assignee: **LOUIS VUITTON MALLETIER**,
Paris (FR)
- (**) Term: **15 Years**
- (21) Appl. No.: **29/653,219**
- (22) Filed: **Jun. 13, 2018**
- (30) **Foreign Application Priority Data**
Dec. 18, 2017 (EM) 004555217
- (51) **LOC (12) Cl.** **03-01**
- (52) **U.S. Cl.**
USPC **D3/243**
- (58) **Field of Classification Search**
USPC D3/226, 227, 229, 230, 232, 233, 234,
D3/235, 238, 239, 240, 241, 242, 243,
D3/244, 245, 246, 247, 248, 249, 250,
D3/251, 253, 270, 271.2, 271.3, 271.9
CPC .. A45C 1/024; A45C 3/04; A45C 3/06; A45C
3/08; A45C 3/10; A45C 7/0059; A45C
7/0077; A45C 13/08; A45C 13/26; A45C
2001/083
See application file for complete search history.

(56) **References Cited**

U.S. PATENT DOCUMENTS

- D235,692 S * 7/1975 Rushing et al. D3/243
- D246,939 S * 1/1978 Casser D3/233
- D248,058 S * 5/1978 Siegel D3/243
- 4,192,365 A * 3/1980 Siegel A45C 3/06
150/111

- D263,649 S * 4/1982 Schimmel D3/243
- D264,020 S * 4/1982 Schimmel D3/243
- 5,725,039 A * 3/1998 Macinai A45C 3/08
150/104
- D406,457 S * 3/1999 De Baschmakoff D3/232
- 5,881,788 A * 3/1999 Hersh A45C 3/06
150/116
- D417,779 S * 12/1999 De Baschmakoff D3/232
- D442,778 S * 5/2001 Guyon D3/246
- D461,953 S * 8/2002 Guyon D3/243
- D583,553 S * 12/2008 Stulman D3/232
- D710,093 S * 8/2014 Philo D3/243
- D745,268 S * 12/2015 Slimane D3/232
- D750,372 S * 3/2016 Slimane D3/232
- D757,428 S * 5/2016 Spaziani D3/243
- D757,430 S * 5/2016 Spaziani D3/243
- D761,557 S * 7/2016 Bernardoni D3/243
- D762,062 S * 7/2016 Spaziani D3/243
- D772,563 S * 11/2016 Carol-Libman D3/232
- D775,820 S * 1/2017 Sassi D3/232
- D787,818 S * 5/2017 Gerbelle D3/243
- D796,190 S * 9/2017 Fusi D3/243

(Continued)

Primary Examiner — Cathron C Brooks

(74) *Attorney, Agent, or Firm* — Fross Zelnick Lehrman
& Zissu, P.C.; Charles T. J. Weigell, Esq.

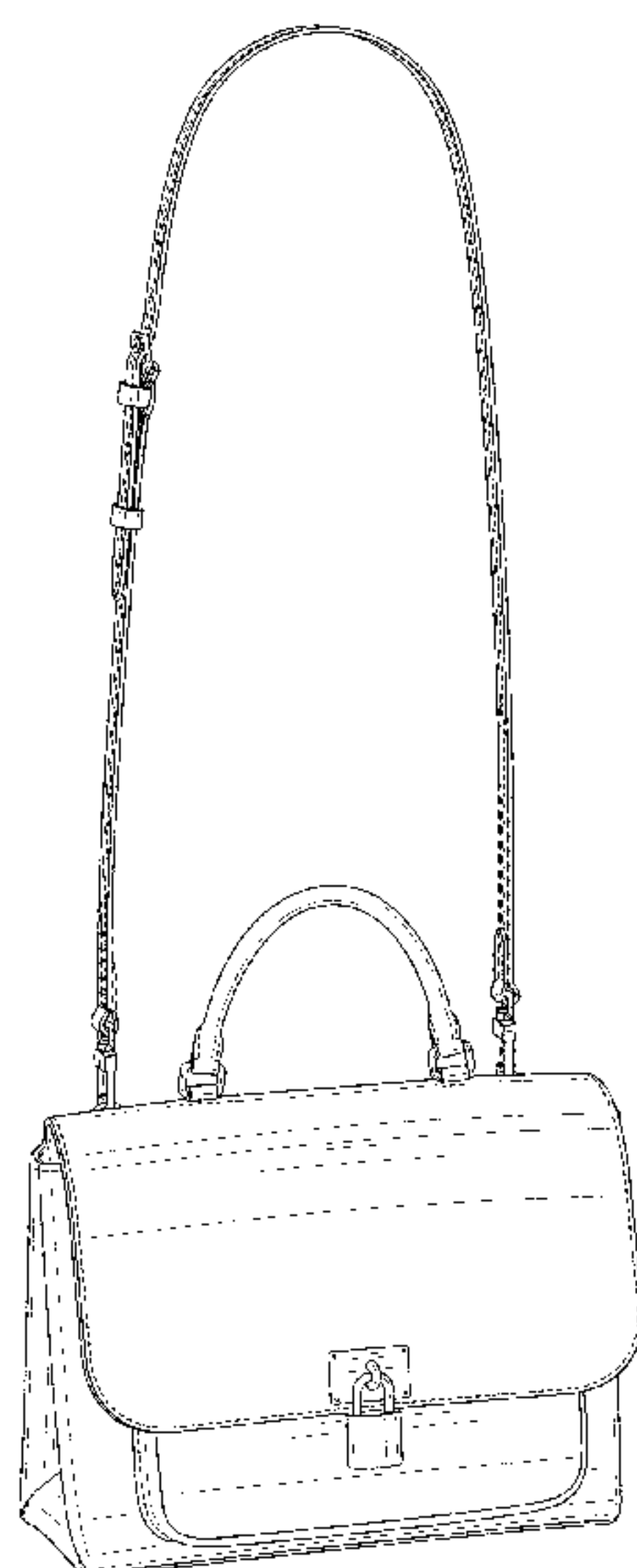
(57) **CLAIM**

The ornamental design for a handbag, as shown and described.

DESCRIPTION

FIG. 1 is a front perspective view of a handbag showing my new design;
 FIG. 2 is a front view thereof;
 FIG. 3 is a back view thereof;
 FIG. 4 is a left side view thereof;
 FIG. 5 is a right side view thereof;
 FIG. 6 is a top view thereof; and,
 FIG. 7 is a bottom view thereof.
 The dotted lines are understood to represent stitching.

1 Claim, 7 Drawing Sheets



(56)

References Cited

U.S. PATENT DOCUMENTS

D798,049 S *	9/2017	Hawkes	D3/243
D804,170 S *	12/2017	Maier	D3/243
D809,789 S *	2/2018	Fusi	D3/243
D824,172 S *	7/2018	Gerbelle	D3/318
D825,186 S *	8/2018	Gerbelle	D3/318
D826,553 S *	8/2018	Vaccarello	D3/232
D835,404 S *	12/2018	Sassi	D3/232
D855,977 S *	8/2019	Gale	D3/243
D857,383 S *	8/2019	Louboutin	D3/243
D858,094 S *	9/2019	Gombert-Duclos	D3/243
2013/0074997 A1 *	3/2013	Jones	A45C 3/06 150/101

* cited by examiner

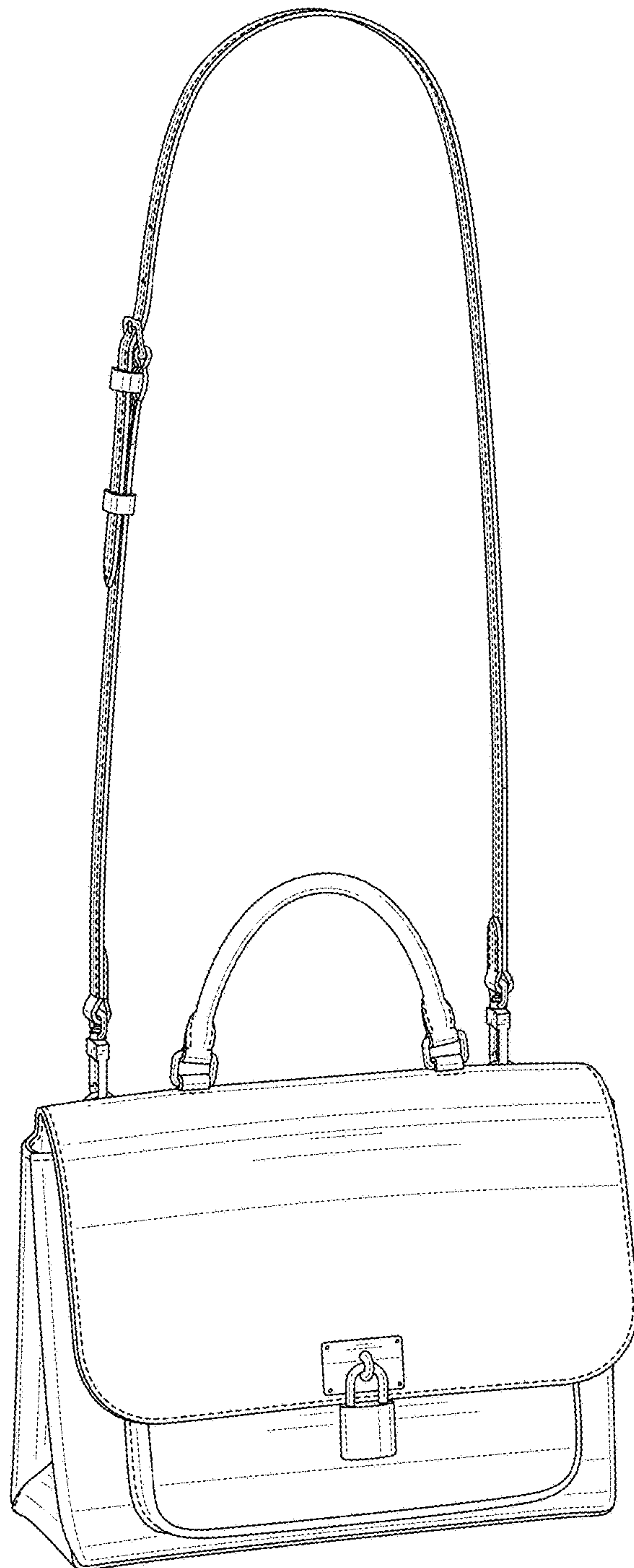


FIG. 1

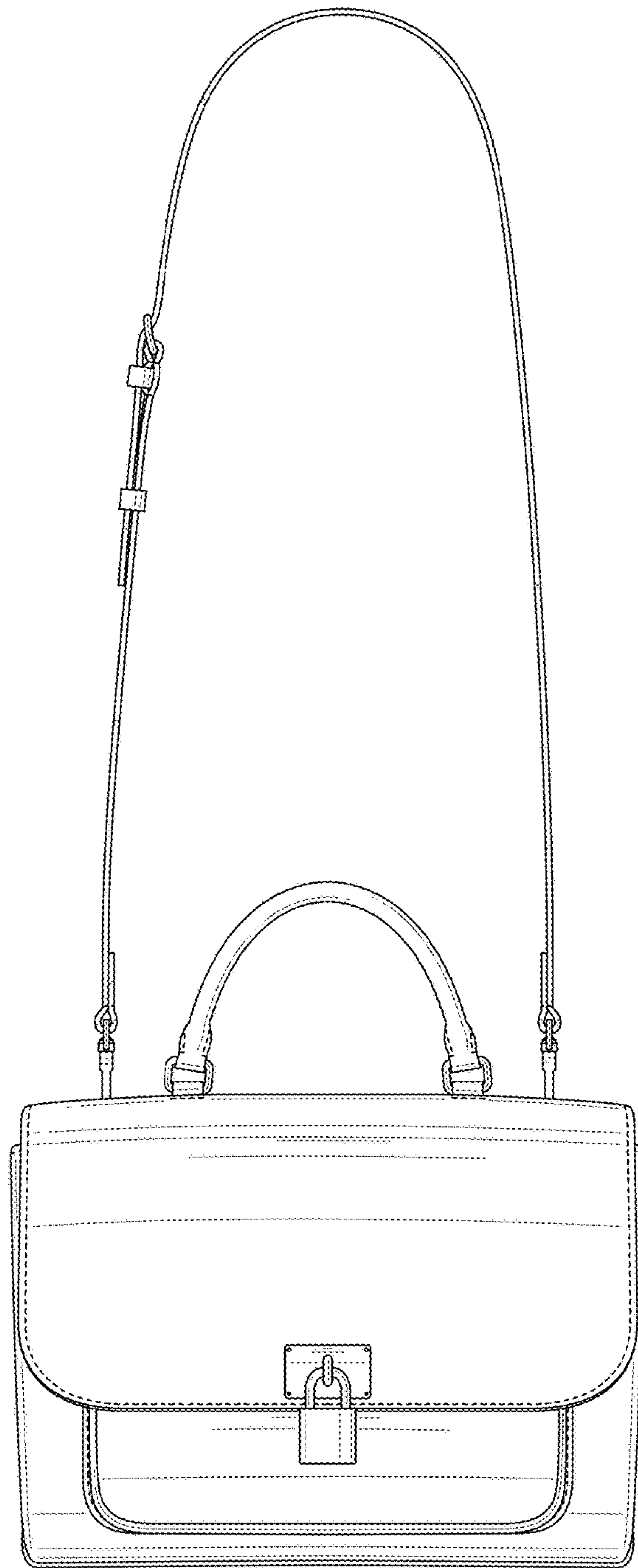


FIG. 2

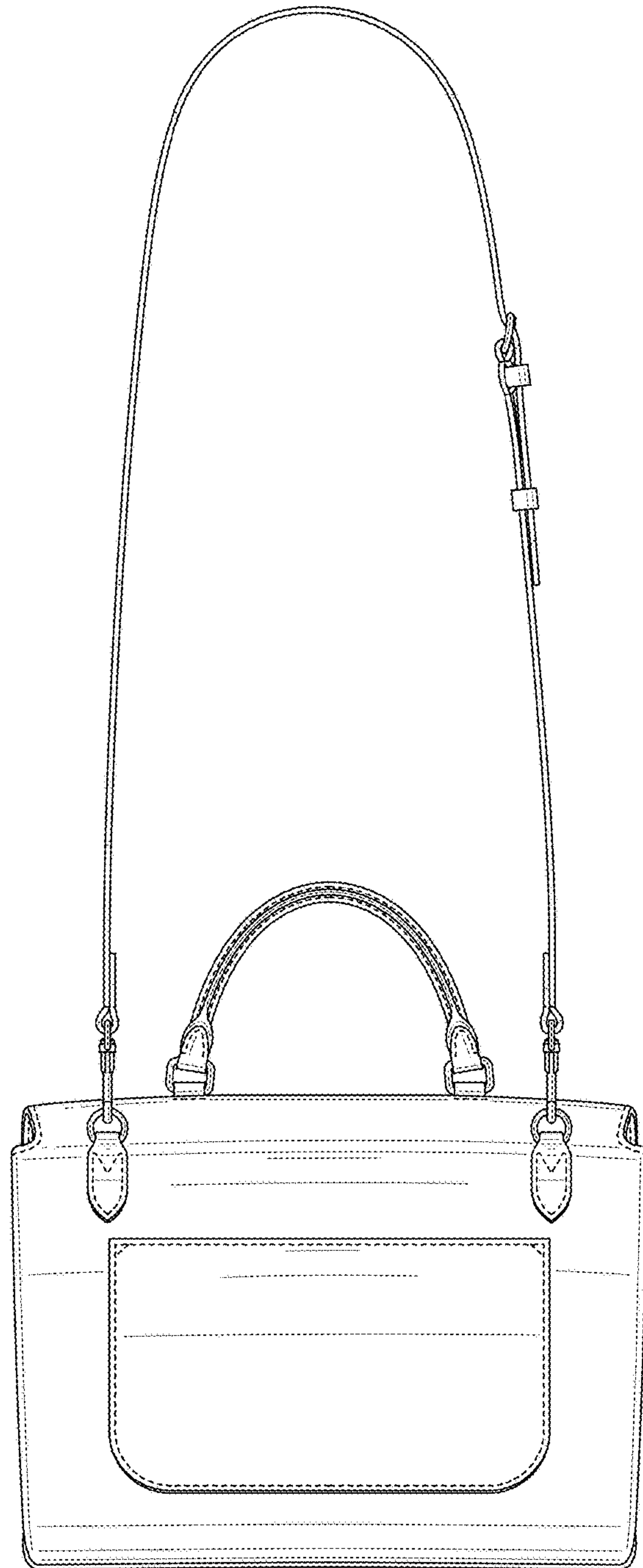


FIG. 3

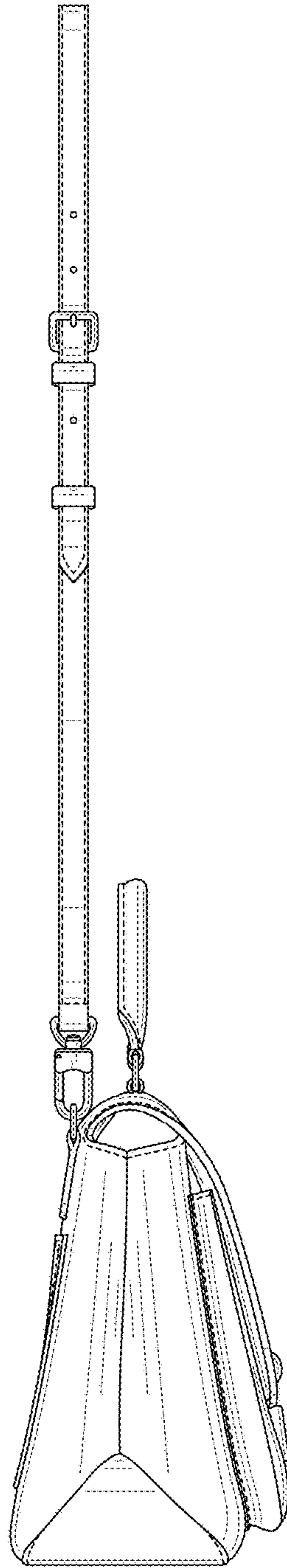


FIG. 4

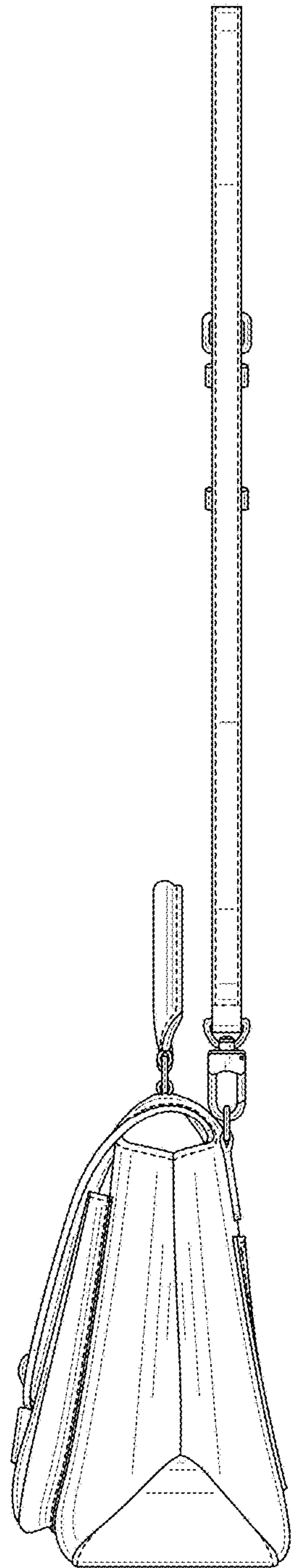


FIG. 5

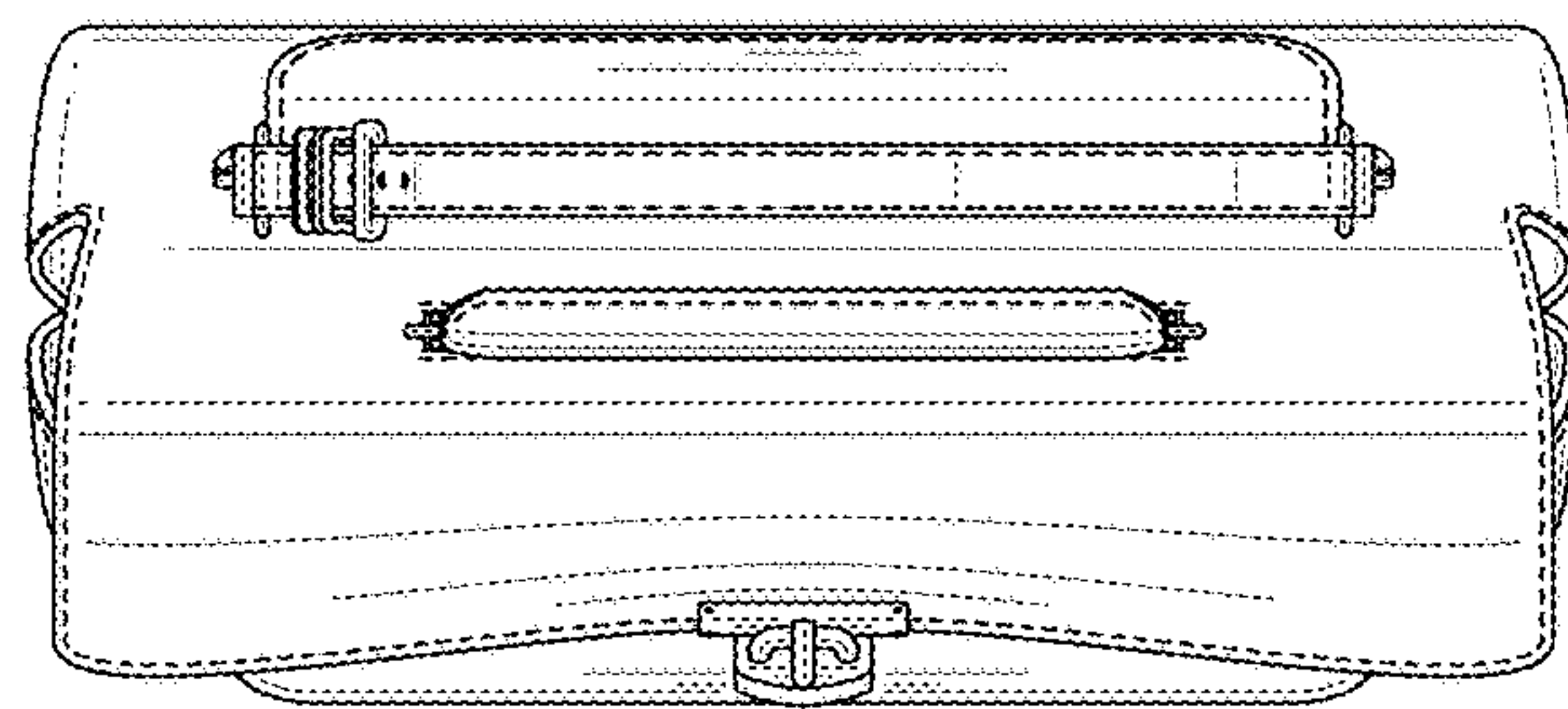


FIG. 6

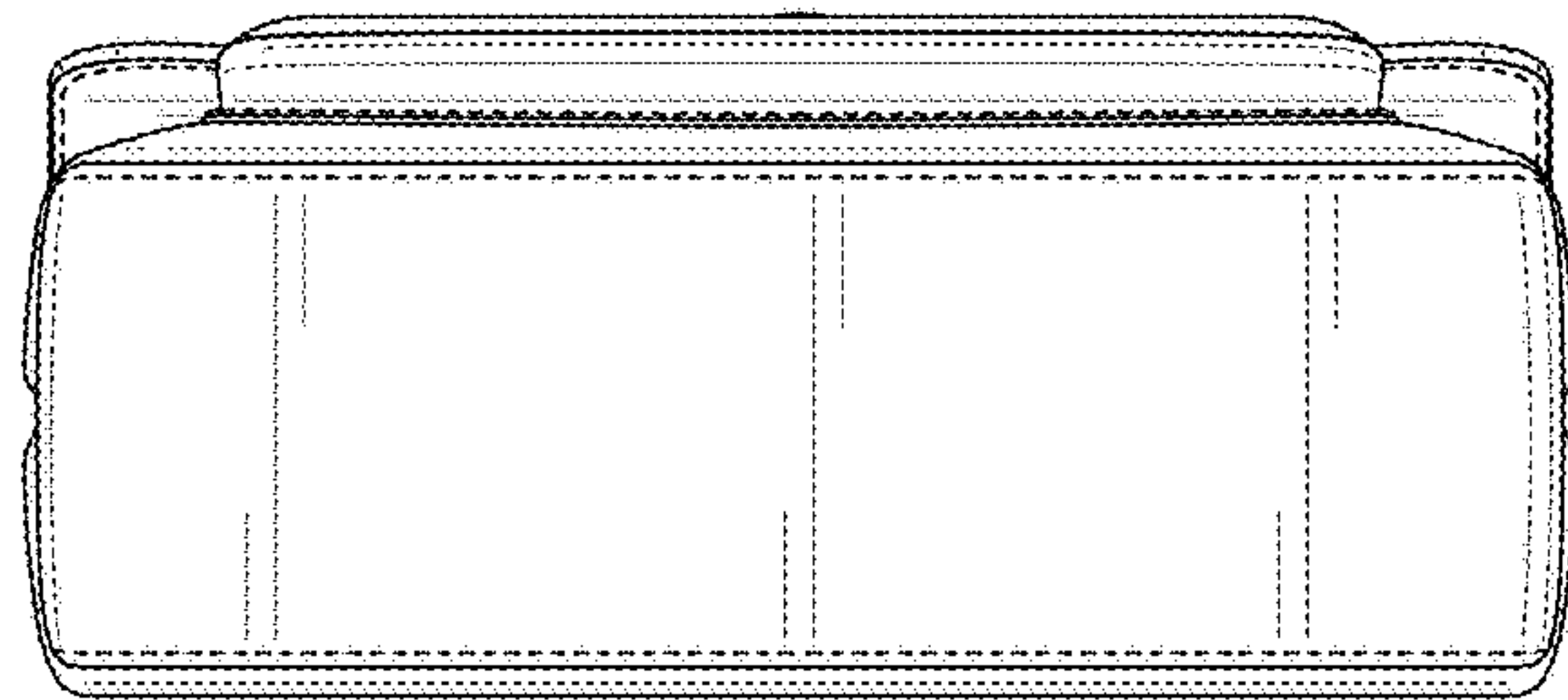


FIG. 7