



US00D876829S

(12) **United States Design Patent**
Benn

(10) **Patent No.:** **US D876,829 S**
(45) **Date of Patent:** **** Mar. 3, 2020**

(54) **GRENADe HOLSTER**

(71) Applicant: **Taurean Marquis Benn**, Portage, MI (US)

(72) Inventor: **Taurean Marquis Benn**, Portage, MI (US)

(**) Term: **15 Years**

(21) Appl. No.: **29/667,978**

(22) Filed: **Oct. 26, 2018**

(51) **LOC (12) Cl.** **03-01**

(52) **U.S. Cl.**
USPC **D3/223**

(58) **Field of Classification Search**

USPC D3/222–223, 215, 224; 224/191, 242, 224/247, 603, 660, 666, 678, 682, 674, 224/931; 29/428

CPC A45F 5/021; F41C 23/16; F41C 33/0272; F41G 23/16; F42B 27/00; F42B 39/02; G03B 17/503; Y10T 29/49826

See application file for complete search history.

(56) **References Cited**

U.S. PATENT DOCUMENTS

2,670,886	A *	3/1954	Walton	F42B 27/00 224/247
2,797,034	A *	6/1957	Blackman	F42B 39/02 224/603
8,651,347	B1 *	2/2014	Molcho	F42B 39/02 224/241
2009/0140015	A1 *	6/2009	Faifer	F41C 23/16 224/191

OTHER PUBLICATIONS

Sportsman's Guide.com, U.S. Military Surplus Flash Bang Grenade Pouches, 4 pack, Used (Year: 2019).*

* cited by examiner

Primary Examiner — Catherine R Oliver-Garcia

(74) *Attorney, Agent, or Firm* — Larry E. Henneman, Jr.; Henneman & Associates, PLC

(57) **CLAIM**

I claim the ornamental design for a grenade holster, as shown.

DESCRIPTION

FIG. 1 is a perspective view of a grenade holster, according to the present invention, having a fragmentation grenade holstered therein;

FIG. 2 is a perspective view of the grenade holster of FIG. 1;

FIG. 3 is a front view of the grenade holster of FIG. 1;

FIG. 4 is a rear view of the grenade holster of FIG. 1;

FIG. 5 is a first side view of the grenade holster of FIG. 1;

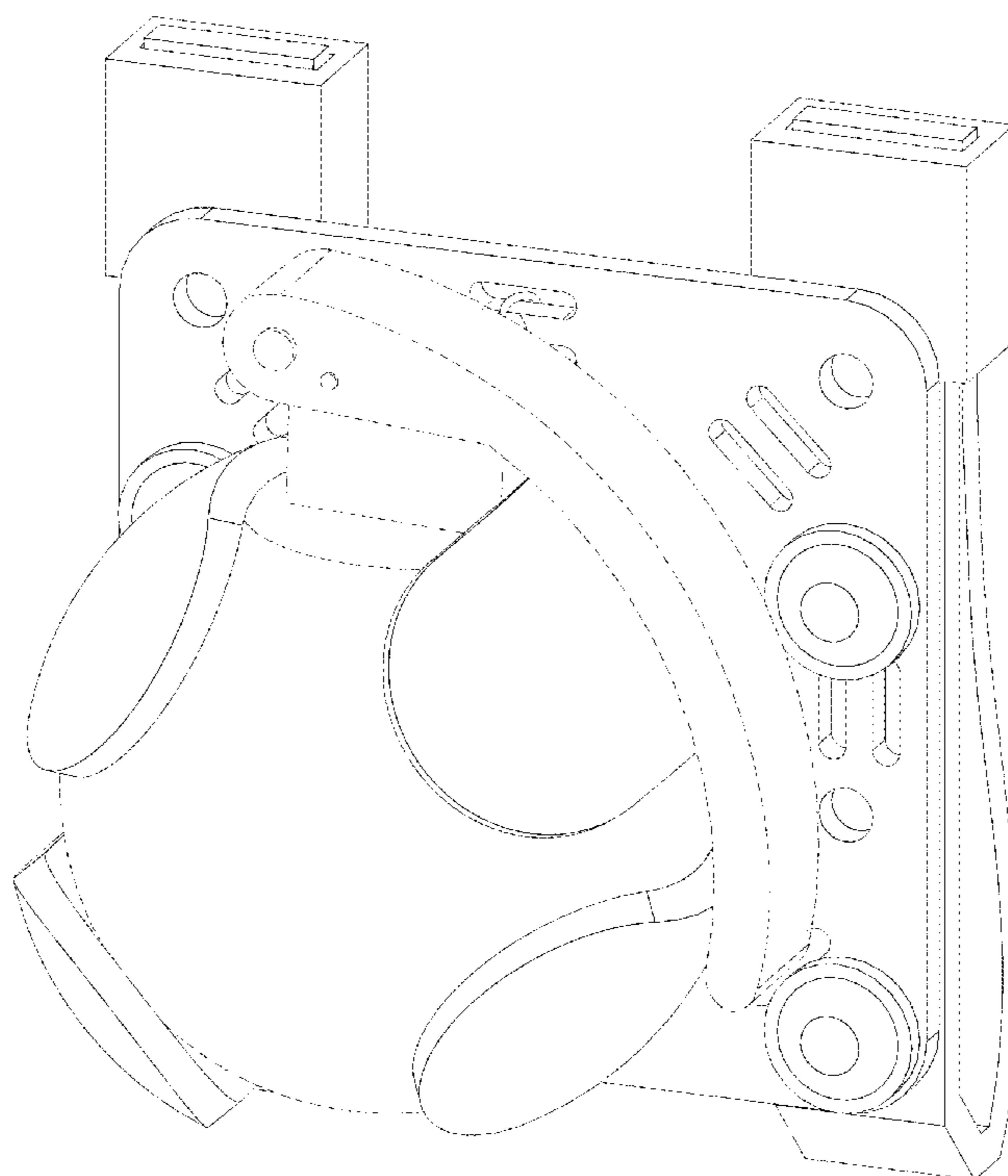
FIG. 6 is a second, opposite side view of the grenade holster of FIG. 1;

FIG. 7 is a top view of the grenade holster of FIG. 1; and,

FIG. 8 is a bottom view of the grenade holster of FIG. 1.

The broken lines depict environmental structure and are included for the purpose of illustrating only and form no part of the claimed design.

1 Claim, 8 Drawing Sheets



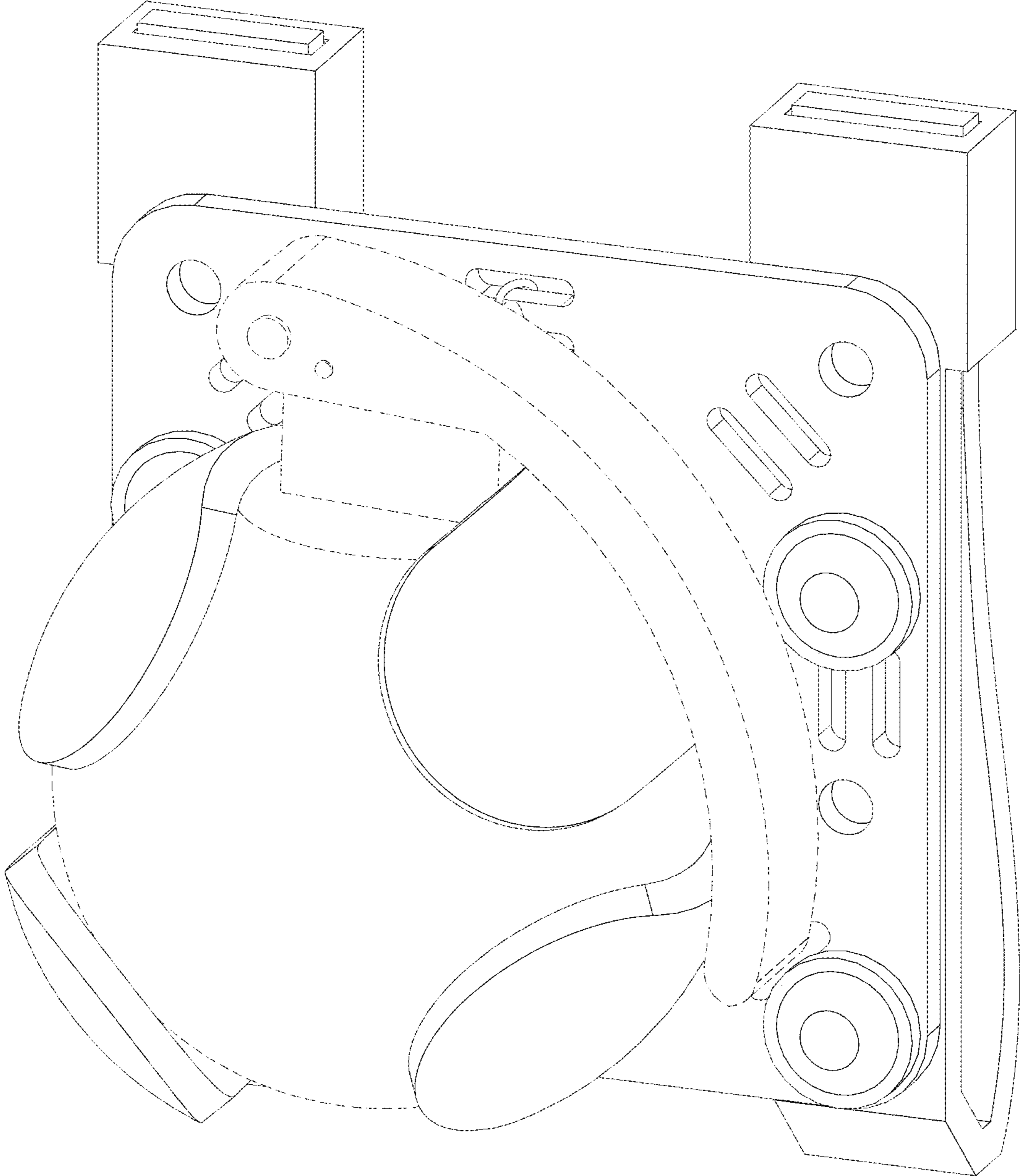


FIG. 1

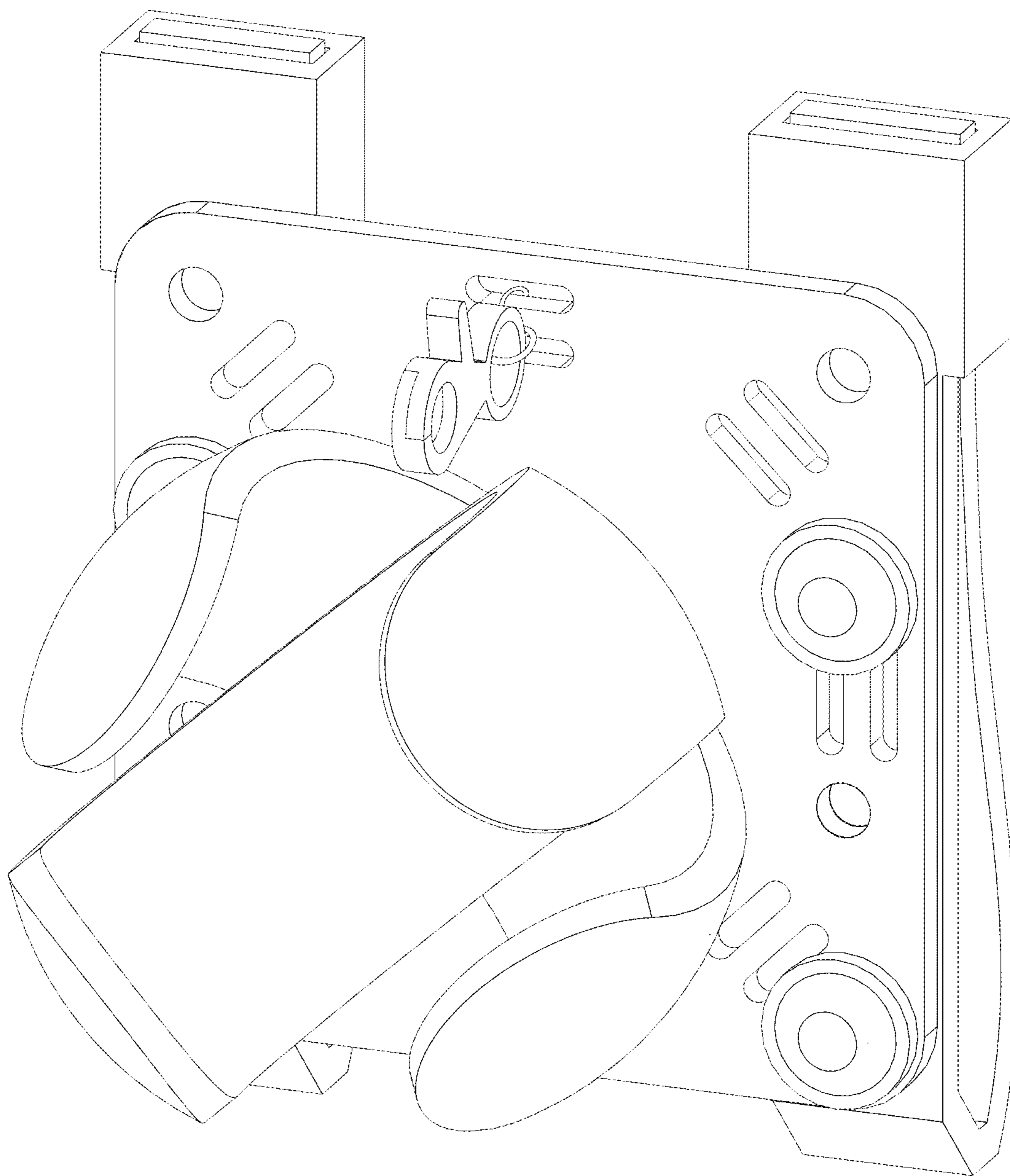


FIG. 2

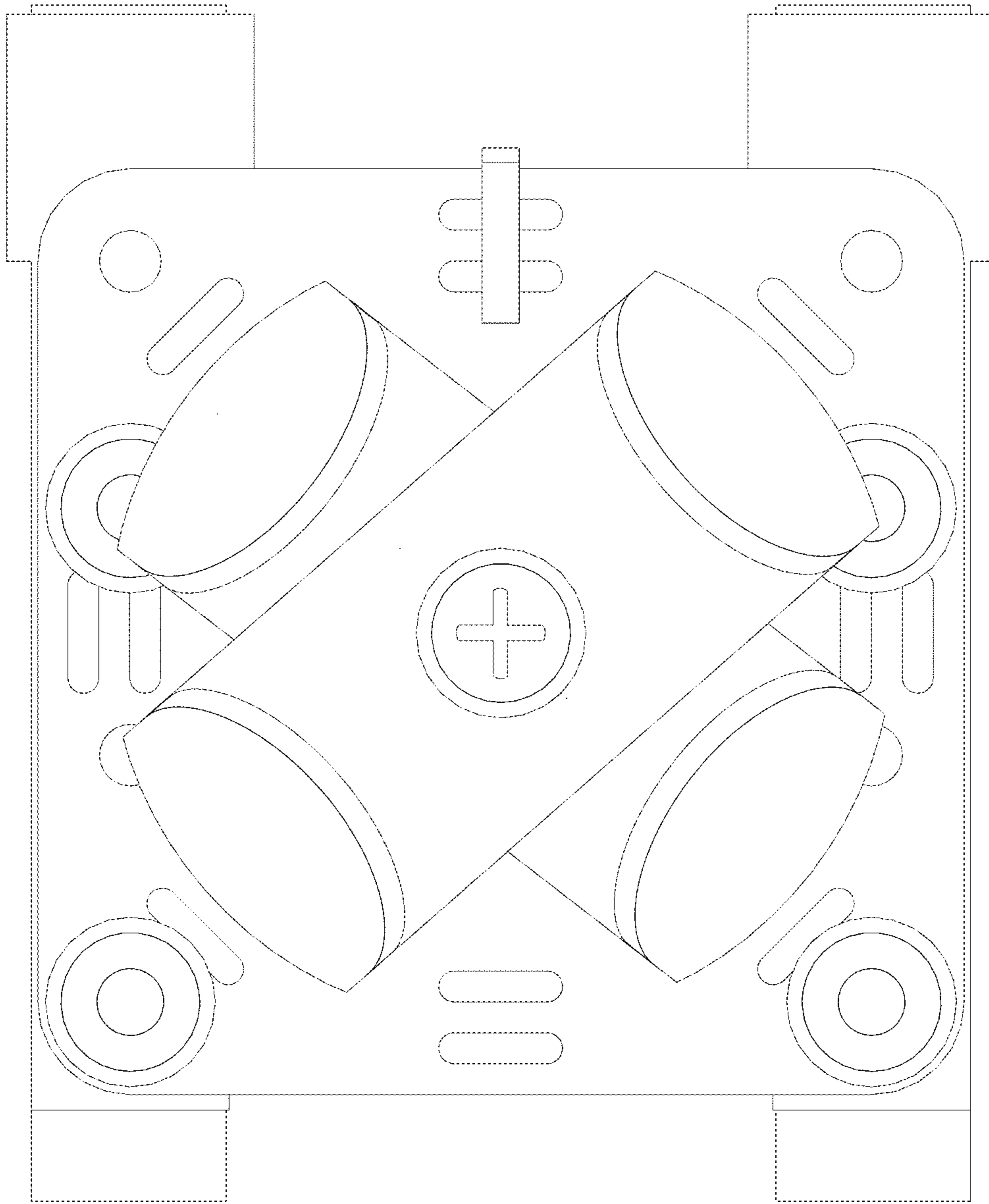


FIG. 3

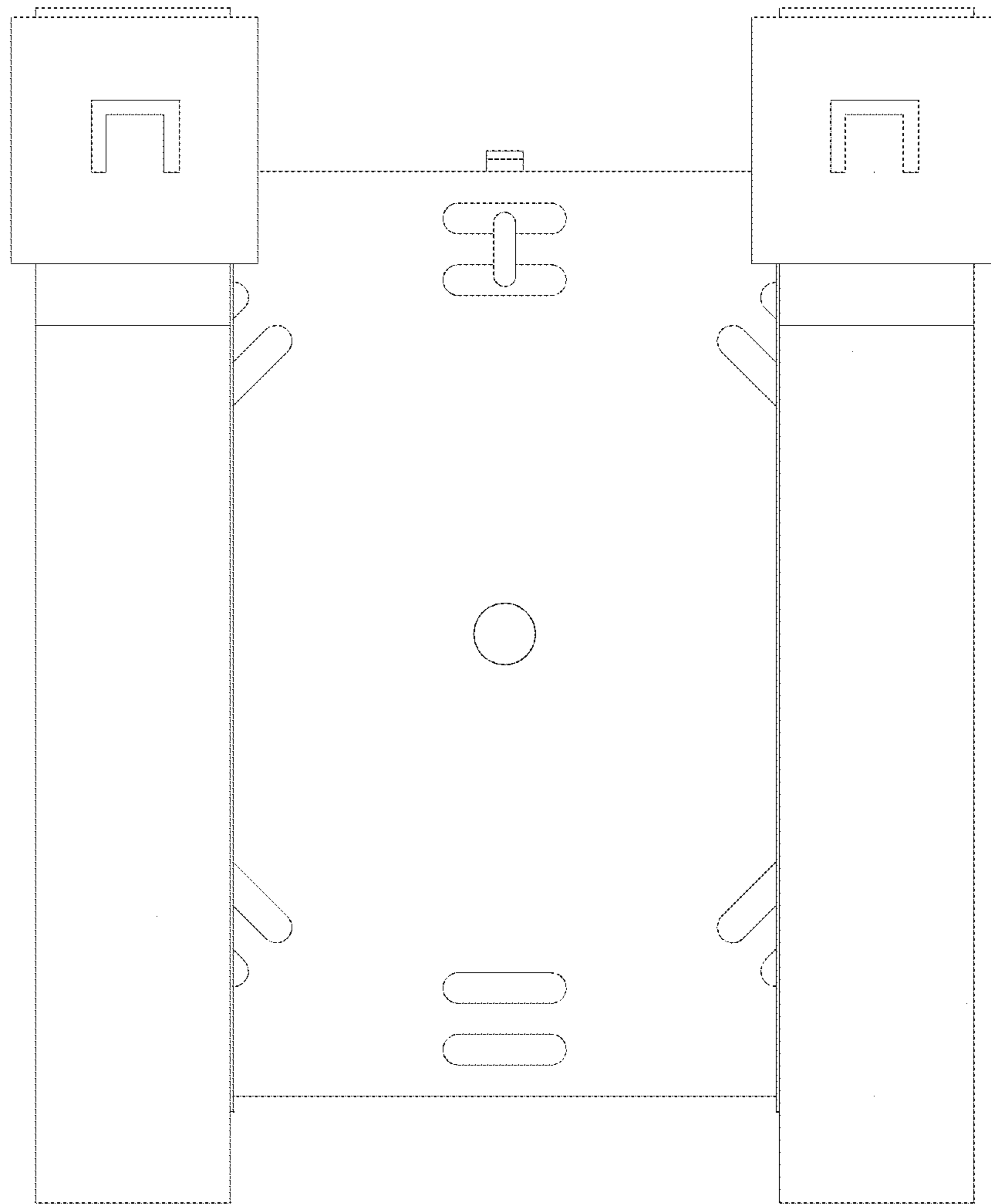


FIG. 4

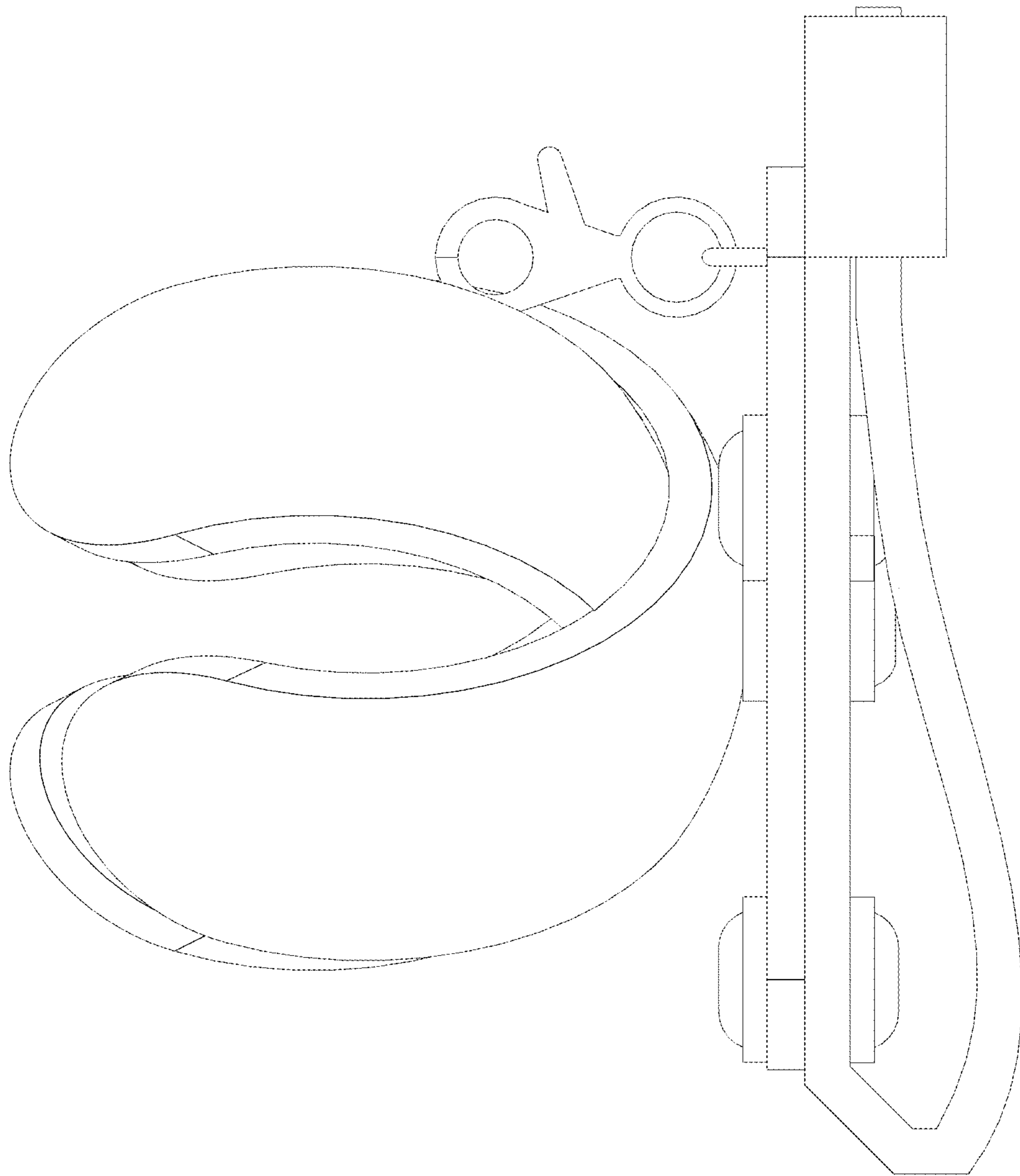


FIG. 5

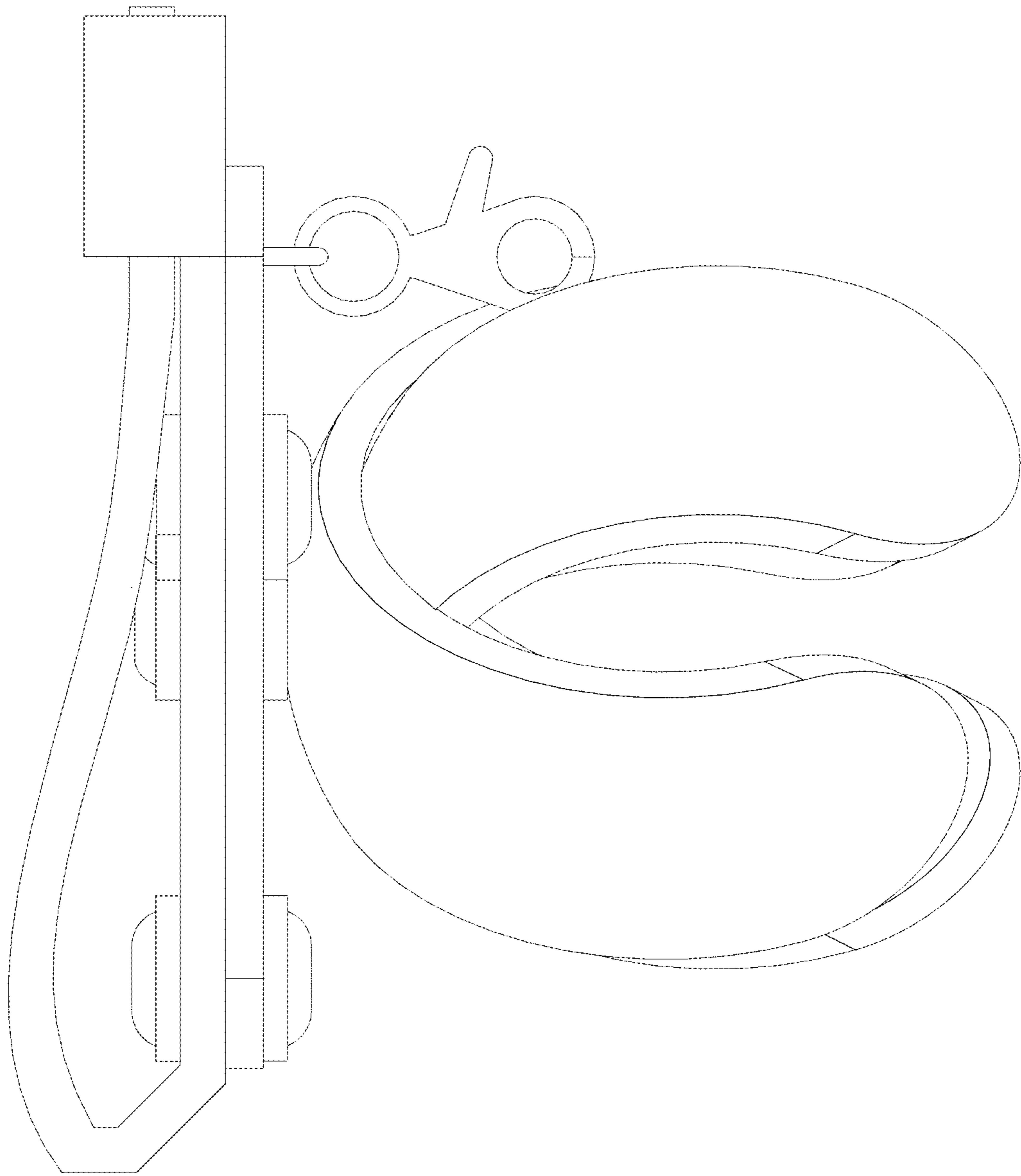


FIG. 6

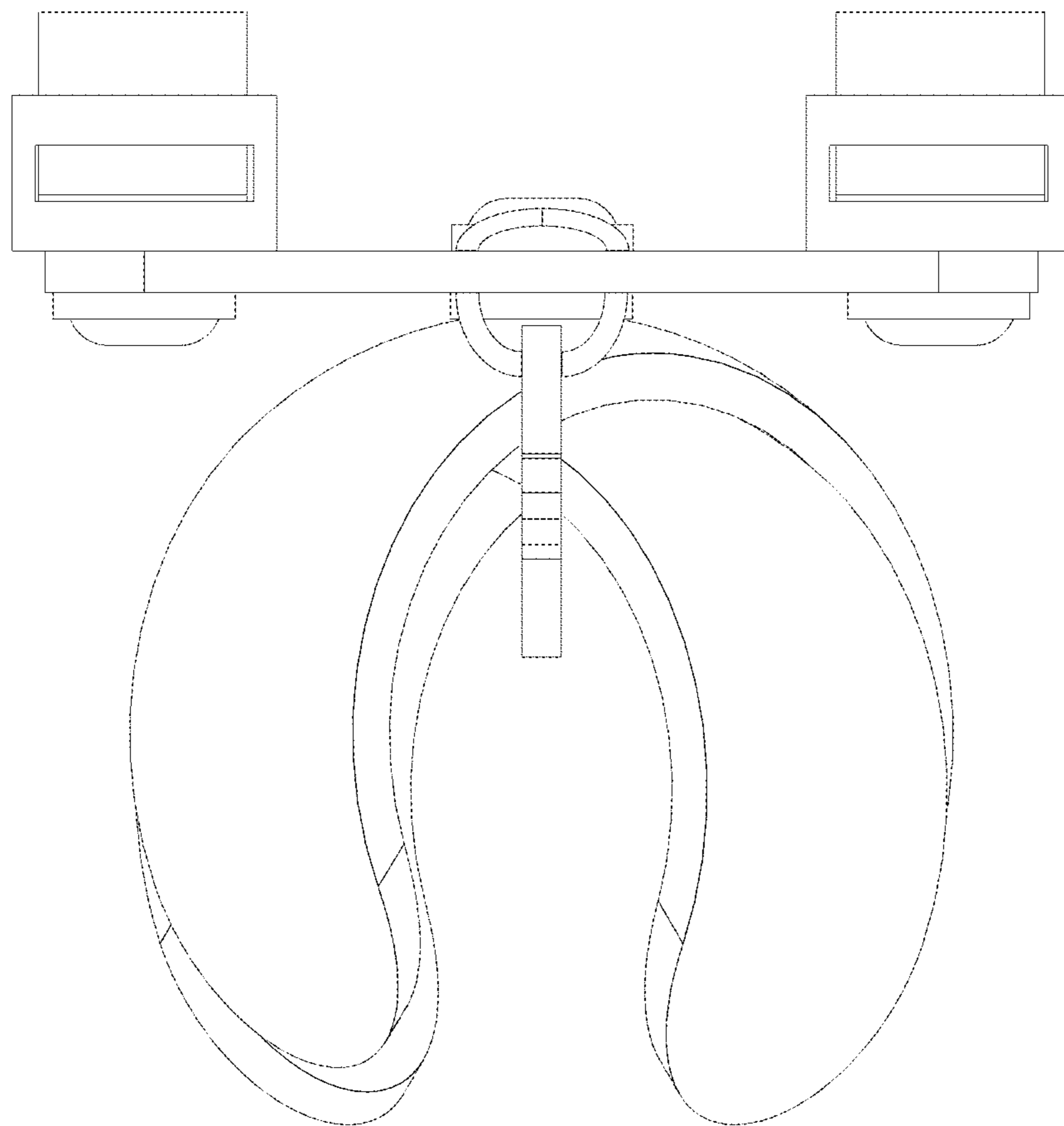


FIG. 7

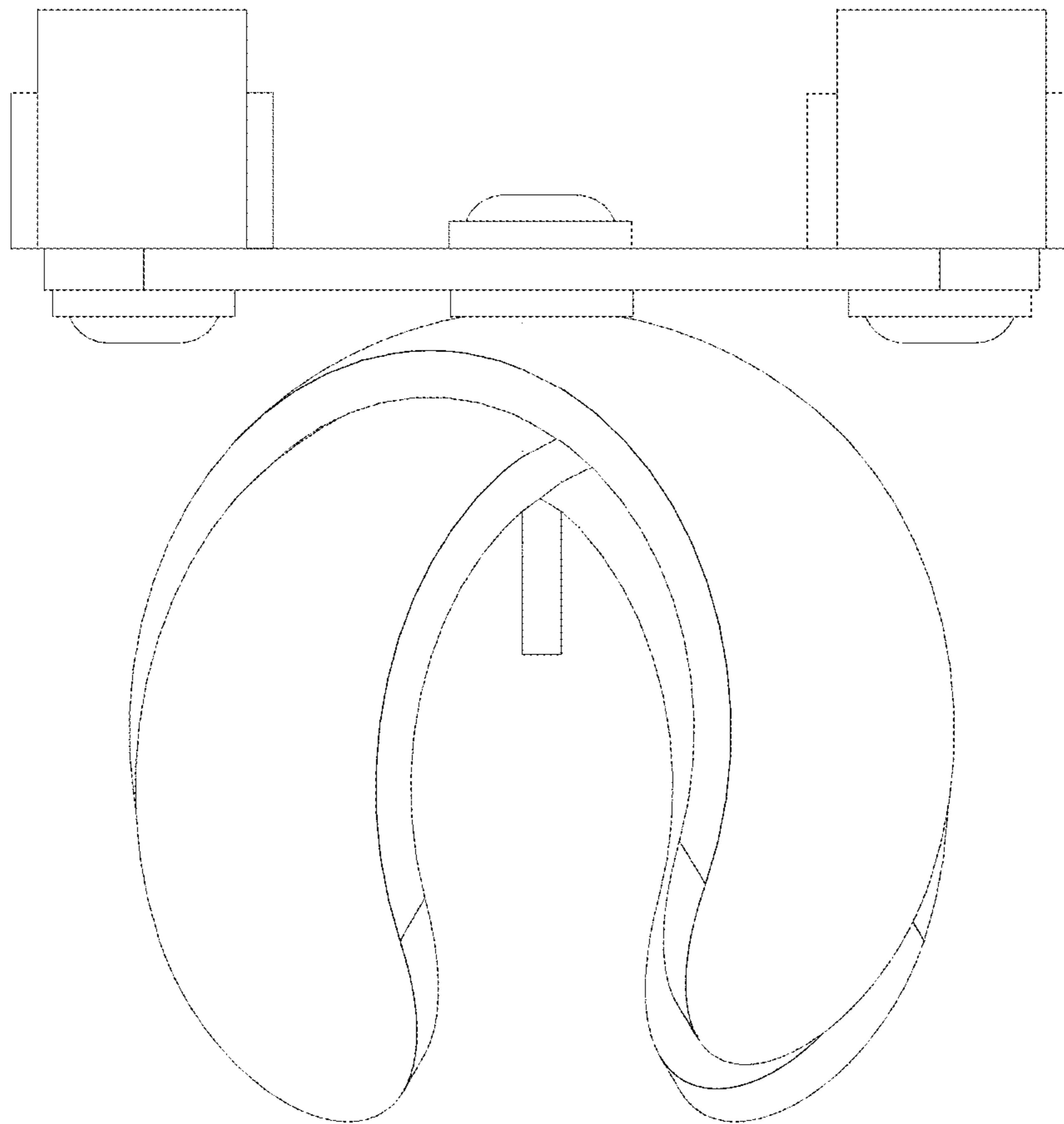


FIG. 8