



US00D876827S

(12) **United States Design Patent** (10) **Patent No.:** **US D876,827 S**
Hamilton (45) **Date of Patent:** **** Mar. 3, 2020**

(54) **ARTICLE CARRIER**

(71) Applicant: **SIMPLE.BE LLC**, Lake Oswego, OR (US)

(72) Inventor: **Brett Hamilton**, Tualatin, OR (US)

(73) Assignee: **SIMPLE.BE LLC**, Lake Oswego, OR (US)

(**) Term: **15 Years**

(21) Appl. No.: **29/637,781**

(22) Filed: **Feb. 22, 2018**

(51) **LOC (12) Cl.** **03-01**

(52) **U.S. Cl.**
USPC **D3/218**

(58) **Field of Classification Search**
USPC D3/215, 218, 224, 226, 228, 269, 303;
224/148.6, 219, 222, 240, 245–246, 250,
224/267, 269, 671–675, 236, 575, 930,
224/587, 197, 217; 294/25; 24/3.12,
24/16 F, 17 B, 303, 3.2;
455/575.1–575.8; 206/305, 320;
D14/250–251
CPC A45F 5/00; A45F 5/02; A45F 5/021; A45F
2200/0508; A45F 2200/0516
See application file for complete search history.

(56) **References Cited**

U.S. PATENT DOCUMENTS

1,816,284 A 7/1931 Hughes
3,127,076 A 3/1964 Tebbs
3,813,017 A 5/1974 Pimsleur
4,057,757 A 11/1977 Darden

(Continued)

FOREIGN PATENT DOCUMENTS

CA 2395918 A1 1/2004

OTHER PUBLICATIONS

HTC Radio Holder, downloaded from the Internet at: <https://highthreatconcealment.com/products/radio-carriers/htc-radio-holder.html> on Feb. 9, 2018.

(Continued)

Primary Examiner — Catherine R Oliver-Garcia
(74) *Attorney, Agent, or Firm* — Stone Creek Services LLC; Alan M Flum

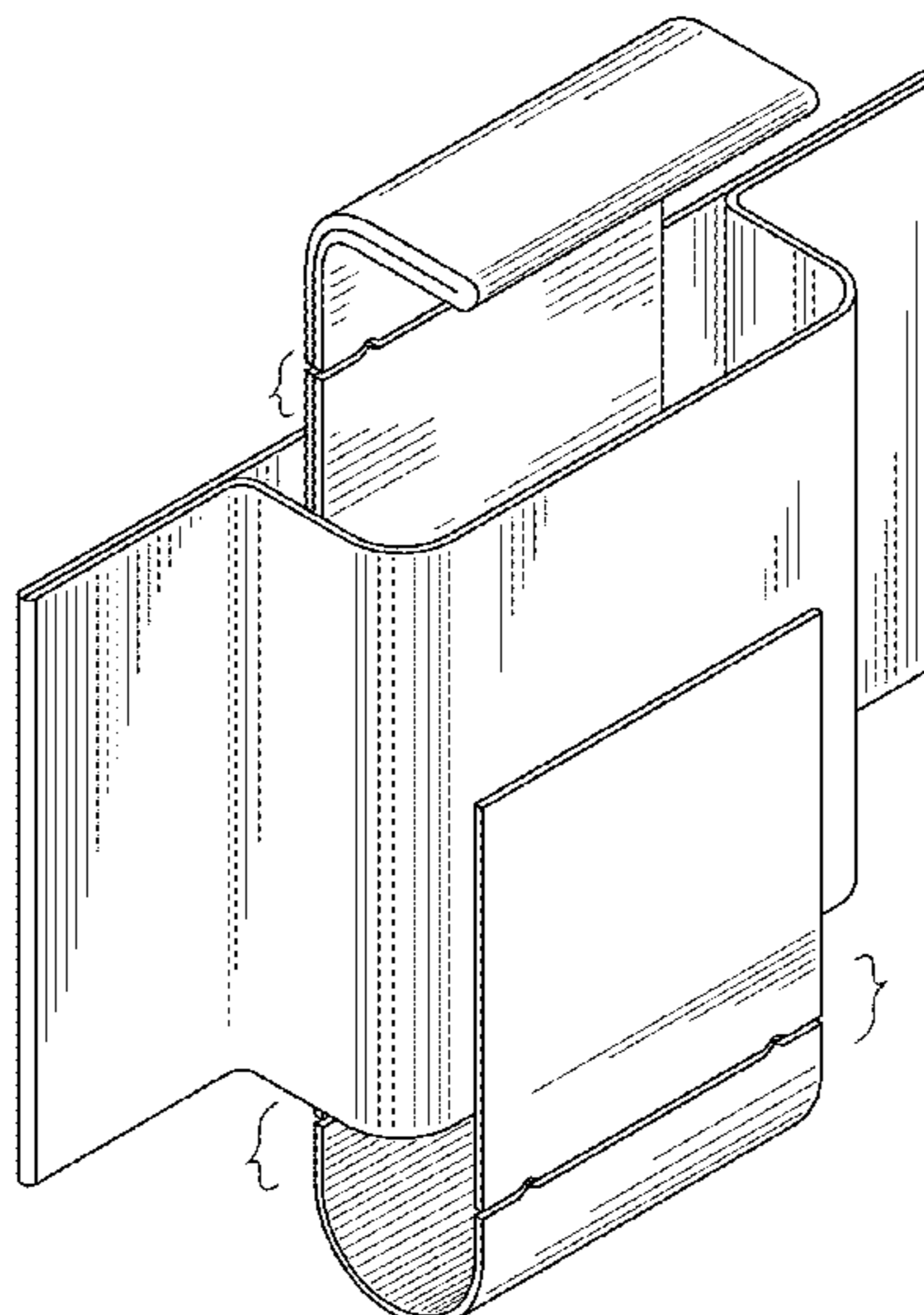
(57) **CLAIM**

The ornamental design for an article carrier, as shown and described.

DESCRIPTION

FIG. 1 is a top, front, and left side perspective view of an article carrier showing my new design; FIG. 2 is a top, rear, and left side perspective view thereof; FIG. 3 is a front elevation view thereof; FIG. 4 is a rear elevation view thereof; FIG. 5 is a right side elevation view thereof; FIG. 6 is a left side elevation view thereof; FIG. 7 is a top plan view thereof; FIG. 8 is a bottom plan view thereof; and, FIG. 9 is a top, front, and left side perspective view of an article carrier illustrated without broken line portions. The surface shading illustrated in the drawings highlights the contour of the design; it is not intended to be illustrative of texture, material, or surface ornamentation. The shorter broken lines illustrate portions of the article carrier that form no part of the claimed design. The longer broken lines depict environmental subject matter and form no part of the claimed design. The environmental subject matter is depicted as transparent to illustrate portions of the design otherwise hidden. The broken away and bracketed portions in FIGS. 1-6 indicate that no particular length is claimed for those portions; such lines and any portion between such lines form no part of the claimed design.

1 Claim, 7 Drawing Sheets



(56)

References Cited

U.S. PATENT DOCUMENTS

D258,021 S 1/1981 Bonaventura
 4,399,934 A 8/1983 Dupont
 4,420,104 A 12/1983 DiLenno
 D275,815 S 10/1984 DiLenno
 D281,830 S 12/1985 Hengesbach
 D293,857 S 1/1988 Stout et al.
 4,982,885 A 1/1991 Severson et al.
 5,104,076 A 4/1992 Goodall
 5,147,079 A 9/1992 Heather
 D347,522 S 6/1994 Beltran
 5,535,928 A 7/1996 Herring
 5,622,346 A 4/1997 Story, Jr.
 D419,392 S 1/2000 Schlebusch
 6,056,174 A 5/2000 Minckler
 6,076,789 A 6/2000 Jackson
 6,081,695 A 6/2000 Wallace et al.
 6,321,958 B1 11/2001 Erdmann
 6,412,674 B1 7/2002 Lipke
 D467,069 S 12/2002 TenHoeve
 6,533,150 B1 3/2003 Margo et al.
 D475,850 S * 6/2003 Andre D3/218
 D486,304 S * 2/2004 Brown D3/218
 D490,237 S 5/2004 Hardge
 D507,872 S * 8/2005 Watson D3/218
 D517,314 S 3/2006 Moyer
 D533,341 S * 12/2006 Infanti D3/218
 D540,031 S 4/2007 Bouchard
 D547,618 S 7/2007 Exler
 7,640,632 B2 1/2010 Lazarus
 D654,265 S * 2/2012 Roy D3/218
 8,162,285 B2 4/2012 Rooker
 D682,544 S 5/2013 Raich
 D683,135 S * 5/2013 Smith D3/218

8,573,458 B1 11/2013 Hamilton
 D737,569 S 9/2015 Hamilton
 D738,104 S 9/2015 Hamilton
 D739,137 S 9/2015 Hamilton
 D739,138 S 9/2015 Hamilton
 D744,747 S 12/2015 Hamilton
 D748,911 S * 2/2016 Grech D3/218
 D750,369 S 3/2016 Hamilton
 D750,376 S 3/2016 Hamilton
 D752,858 S 4/2016 Hamilton
 9,380,856 B2 7/2016 Hamilton
 9,392,863 B2 7/2016 Hamilton
 2007/0205244 A1 9/2007 Hewes, Jr.
 2008/0121673 A1 5/2008 Timm et al.
 2009/0127304 A1 5/2009 Uygur

OTHER PUBLICATIONS

HTC Gen 3 Radio Holder: Color (Flat Dark Earth (FDE)), Tacticalai, Morrisville, NC, downloaded from the Internet at: <http://www.tacticalai.com/htc-gen-3-radio-holder-lcc828662.html> on Feb. 9, 2018.
 Motorola NNTN8269A Combat Radio Carry Pouch for SRX Radios, Radioparts.com, Fort Lauderdale, FL., downloaded from the Internet at: <https://www.radioparts.com/motorola-nntn8269a> on Feb. 19, 2018.
 Maxexpedition CPM, accessed on the Internet at: <http://www.maxexpedition.com/store/pc/CP-M-8p2.htm> on Jan. 2, 2013.
 Bagaboo Cellphone Holster, accessed on the Internet at: <http://www.bagaboo.hu/en/catalogue/cell-phone-holster> on Nov. 22, 2013.
 Archive Cell Holster V.2, accessed on the Internet at: <http://archivebag.com/holster.html#holster1> on Nov. 22, 2013.
 Brett Hamilton, Photos of Smart Phone Holster in Four Views, public use on Jan. 2008, SIMPLE.BE LLC, Lake Oswego, OR.

* cited by examiner

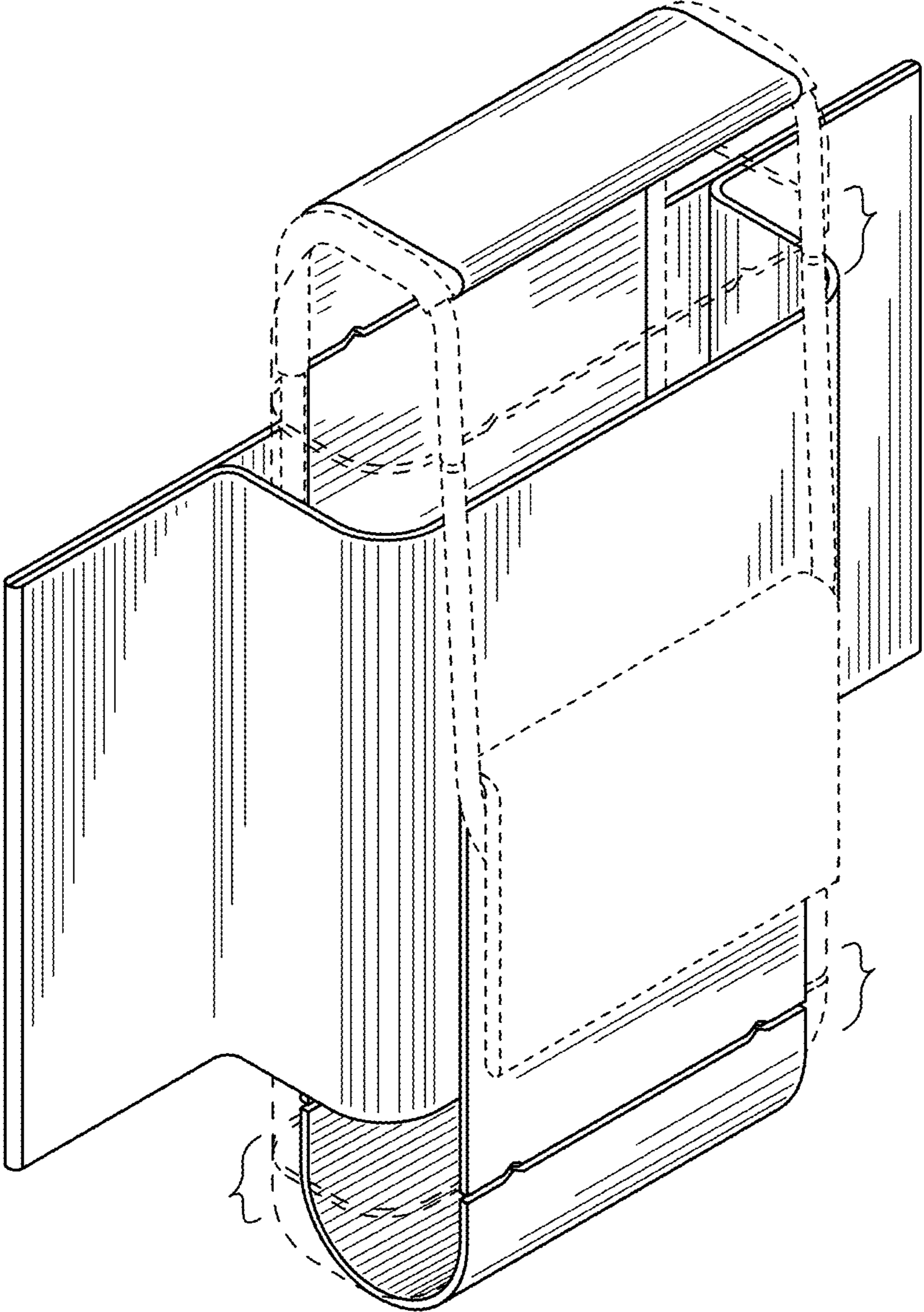


FIG. 1

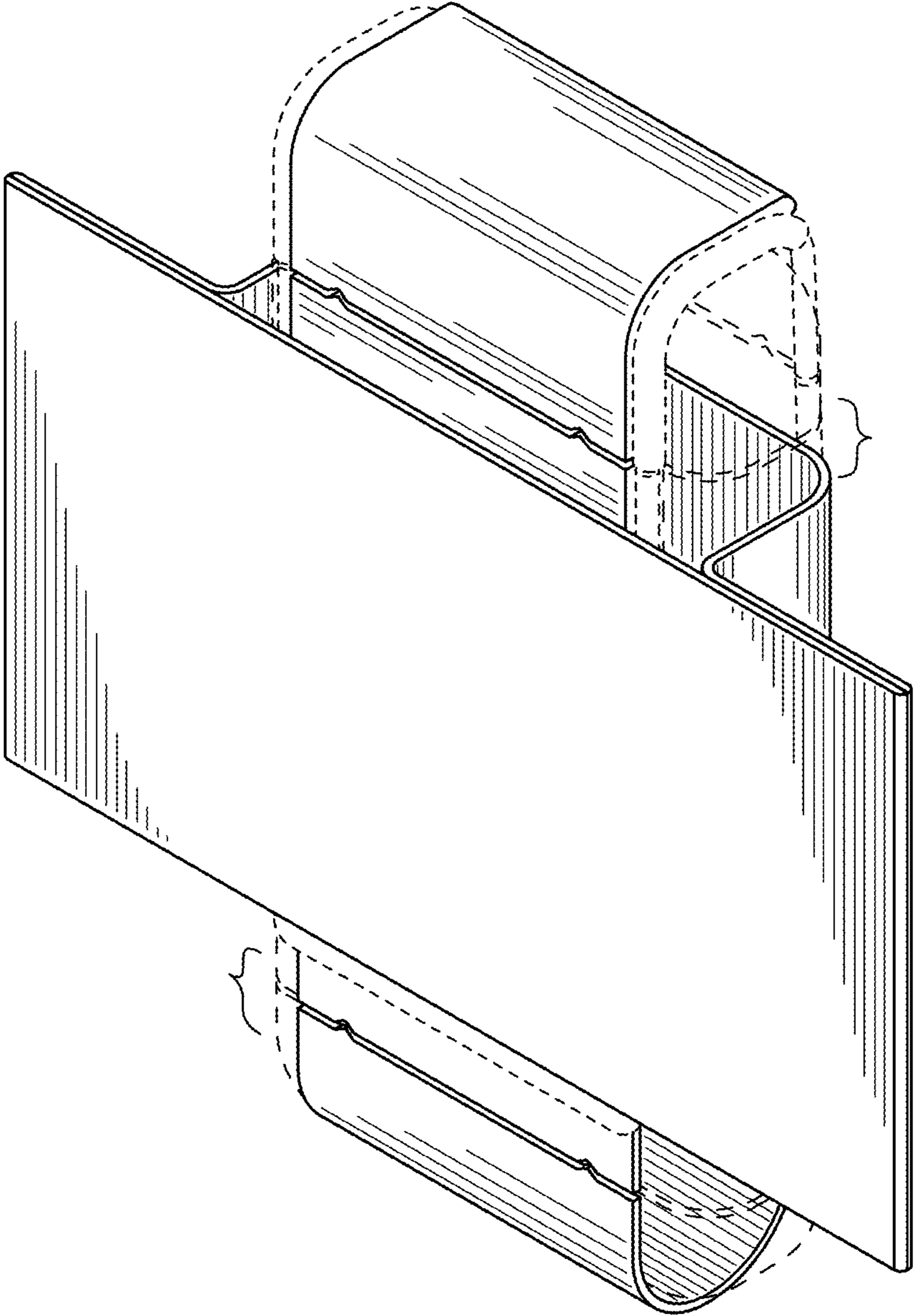


FIG. 2

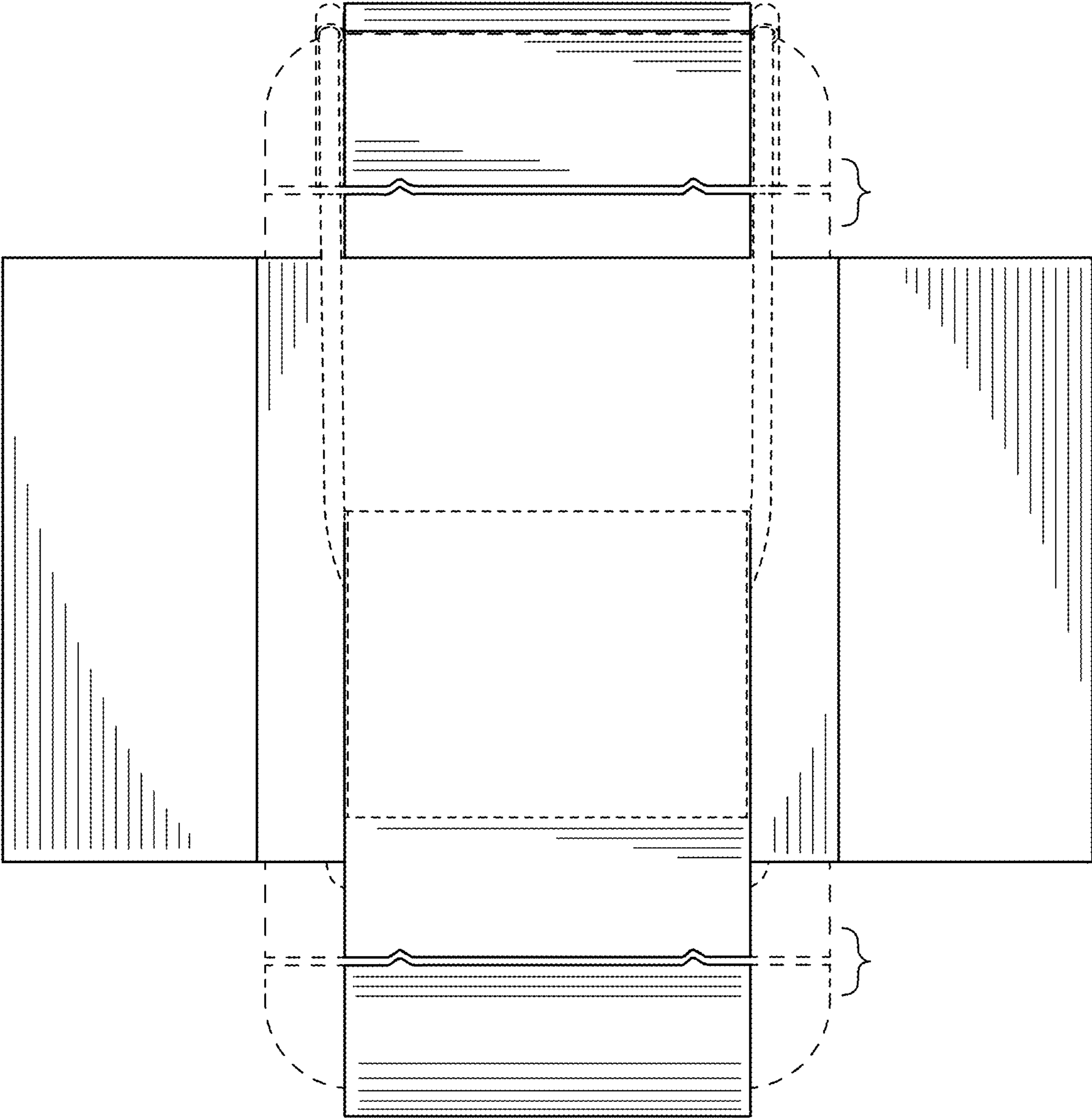


FIG. 3

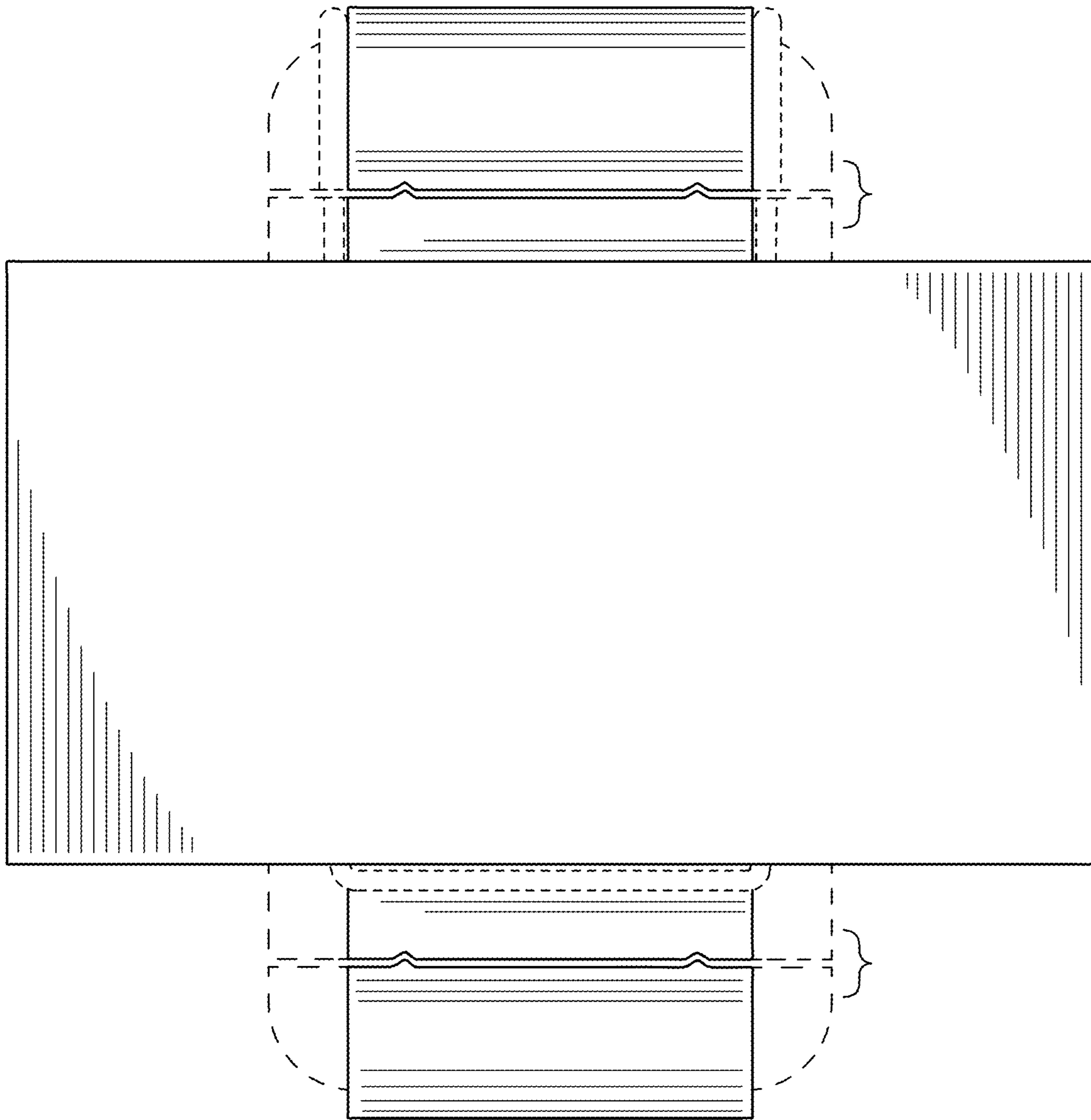


FIG. 4

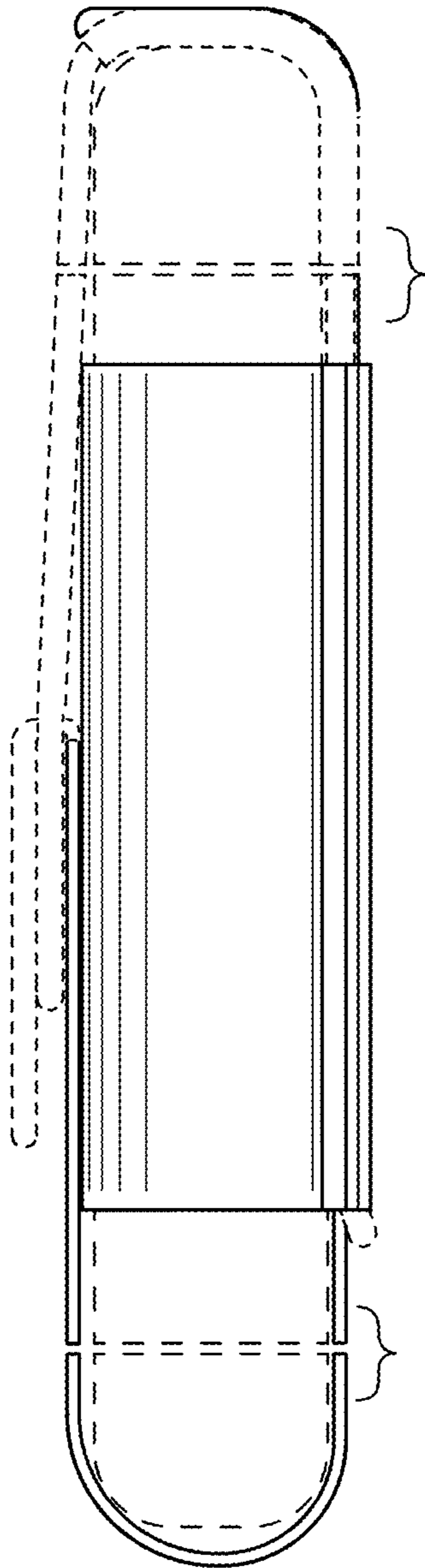


FIG. 5

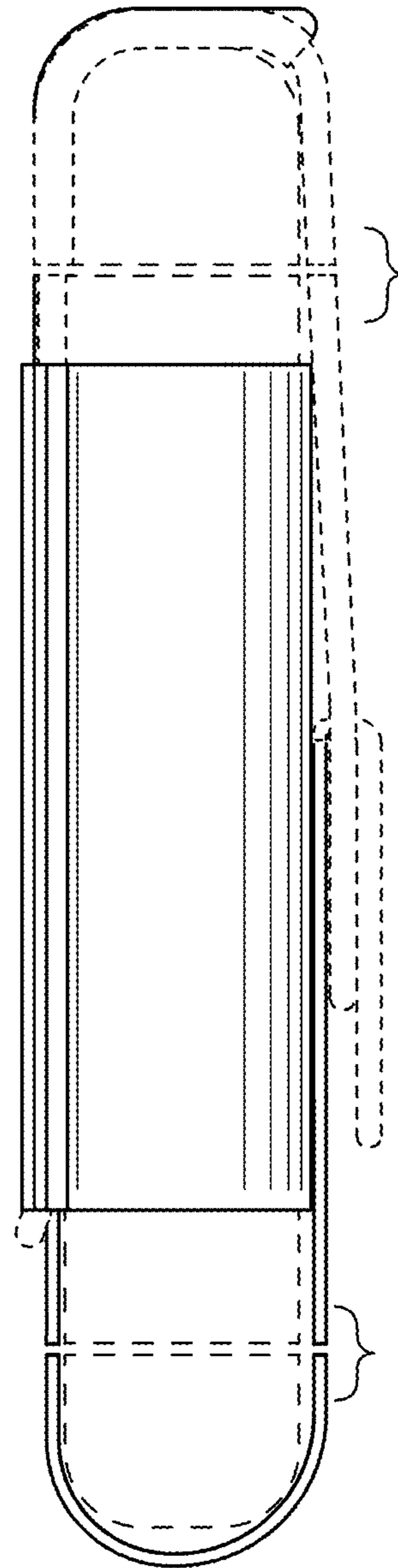


FIG. 6

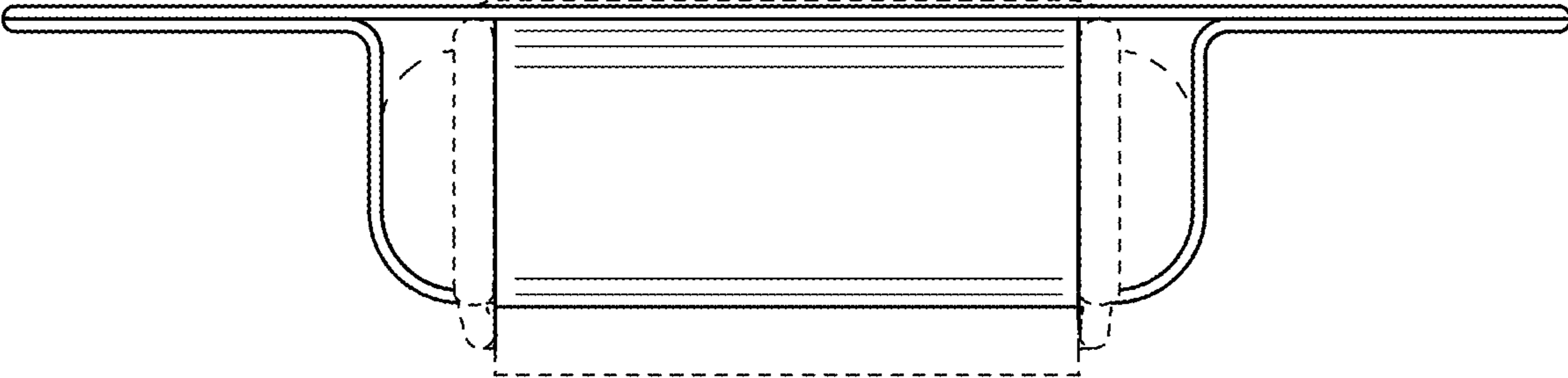


FIG. 7

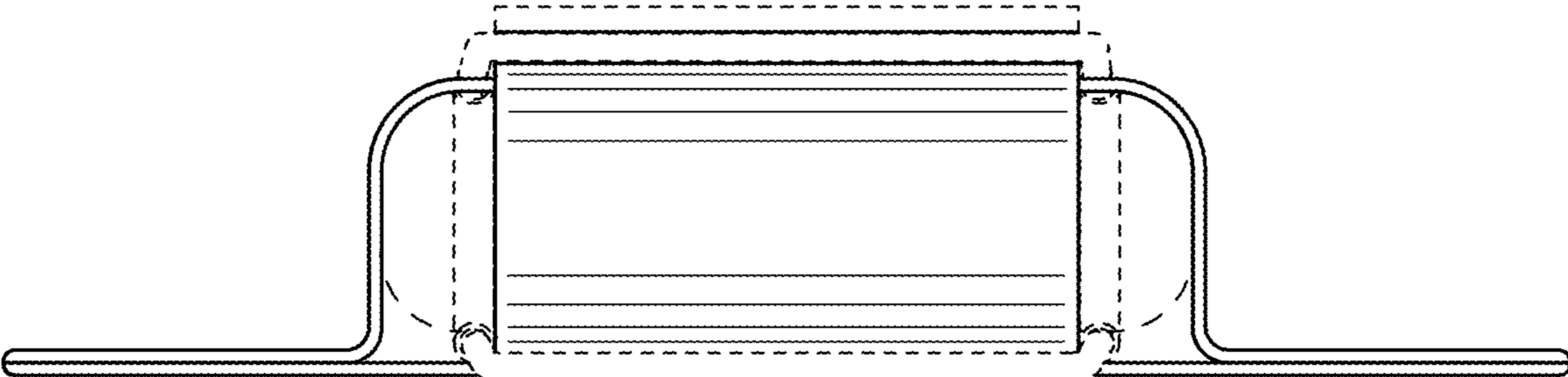


FIG. 8

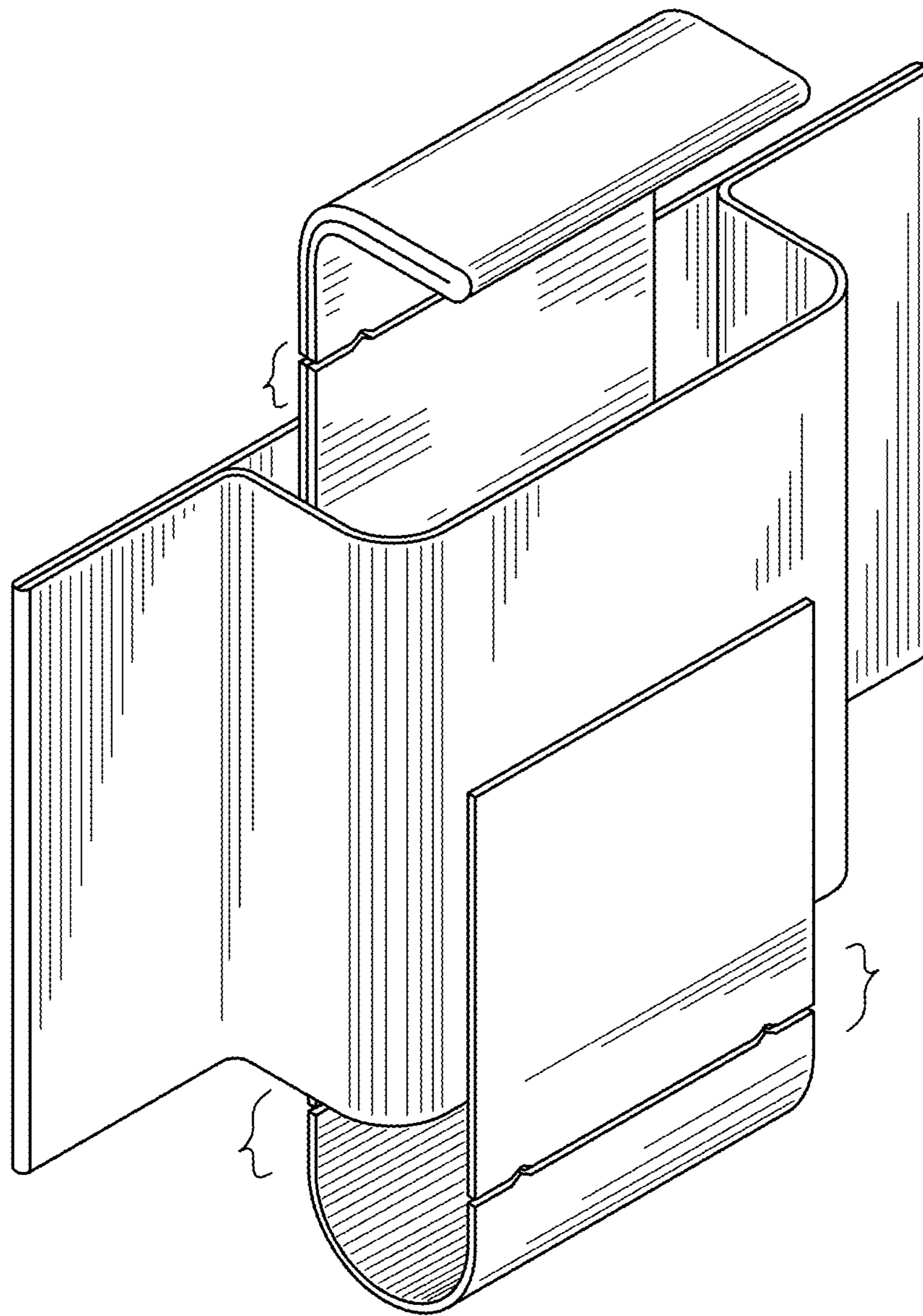


FIG. 9