



US00D876824S

(12) **United States Design Patent**
Young

(10) **Patent No.:** **US D876,824 S**
(45) **Date of Patent:** **** Mar. 3, 2020**

(54) **BABY CARRIER**

(71) Applicant: **Mary Elizabeth Young**, South Jordan, UT (US)

(72) Inventor: **Mary Elizabeth Young**, South Jordan, UT (US)

(**) Term: **15 Years**

(21) Appl. No.: **29/671,656**

(22) Filed: **Nov. 29, 2018**

Related U.S. Application Data

(63) Continuation of application No. 29/608,852, filed on Jun. 26, 2017, now Pat. No. Des. 835,902.

(51) **LOC (12) Cl.** **03-01**

(52) **U.S. Cl.**
USPC **D3/214**

(58) **Field of Classification Search**
USPC D3/213, 214, 215, 216

(Continued)

(56) **References Cited**

U.S. PATENT DOCUMENTS

5,678,739 A * 10/1997 Darling A47D 13/025
224/158

D409,373 S * 5/1999 Fair D3/213
(Continued)

OTHER PUBLICATIONS

Catbird Pikkolo baby carrier, available at <https://catbirdbaby.com/products/pikkolo-soft-structured-baby-carrier?variant=15121908294>.

(Continued)

Primary Examiner — Steven J Czyz

(74) *Attorney, Agent, or Firm* — Durham Jones & Pinegar; Sarah W. Matthews

(57) **CLAIM**

I claim the ornamental design for a baby carrier, substantially as shown and described.

DESCRIPTION

FIG. 1 is a perspective view of a baby carrier showing the new design;

FIG. 2 is a front view of a baby carrier showing the new design;

FIG. 3 is a rear view of a baby carrier showing the new design;

FIG. 4 is a left side view of a baby carrier showing the new design;

FIG. 5 is a right view of a baby carrier showing the new design;

FIG. 6 is a top view of a baby carrier showing the new design;

FIG. 7 is a bottom view of a baby carrier showing the new design;

FIG. 8 is a perspective view of the baby carrier showing the new design with the hood deployed;

FIG. 9 is a front view of the baby carrier showing the new design with the hood deployed;

FIG. 10 is a rear view of the baby carrier showing the new design with the hood deployed;

FIG. 11 is a left side view of the baby carrier showing the new design with the hood deployed;

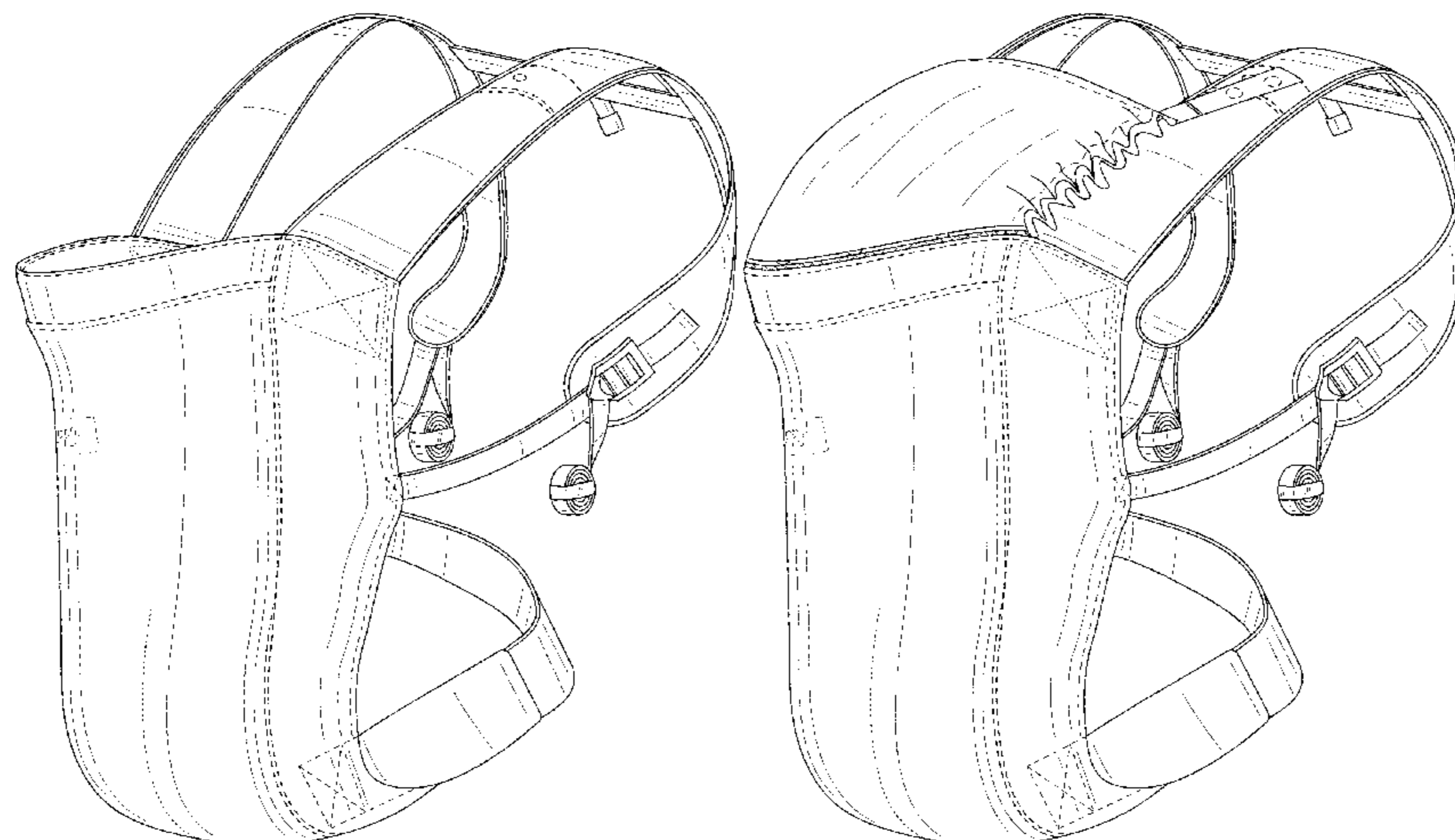
FIG. 12 is a right side view of view of the baby carrier showing the new design with the hood deployed;

FIG. 13 is a top view of the baby carrier showing the new design with the hood deployed; and,

FIG. 14 is a bottom view of the baby carrier showing the new design with the hood deployed.

The dotted lines show claimed stitching on the baby carrier. The dashed lines showing a design on the baby carrier are for illustrative purposes only and form no part of the claimed design. Surfaces of the carrier between dashed lines that do not have straight line shading form no part of the claimed design.

1 Claim, 14 Drawing Sheets



(58) **Field of Classification Search**
 CPC A47D 13/02; A47D 13/025; A47D 15/00
 See application file for complete search history.

(56) **References Cited**

U.S. PATENT DOCUMENTS

D425,696	S	*	5/2000	Swanke	D3/213
D507,102	S	*	7/2005	Bergkvist	D3/213
D507,869	S	*	8/2005	Liistro	D3/213
D611,699	S	*	3/2010	Lundh	D3/213
D615,750	S	*	5/2010	Jones	D3/213
D623,402	S	*	9/2010	Bergkvist	D3/213
D642,375	S	*	8/2011	Zack	D3/214
D649,345	S	*	11/2011	Bergkvist	D3/214
D655,494	S	*	3/2012	Murray	D3/213
D664,351	S	*	7/2012	Bergkvist	D3/214
D692,227	S	*	10/2013	Andren	D3/213
8,579,168	B2	*	11/2013	Zack	A47D 13/025 2/49.1
8,701,949	B1	*	4/2014	Lehan	A45F 3/047 224/160
D714,045	S	*	9/2014	Stave	D3/213
9,185,993	B2	*	11/2015	Telford	A47D 13/025
D745,263	S	*	12/2015	Tagle	D3/213
D748,907	S	*	2/2016	Figler	D3/213
D753,385	S	*	4/2016	Stave	D3/213
9,386,863	B1		7/2016	Antunovic		
D770,166	S	*	11/2016	Figler	D3/213
D796,834	S	*	9/2017	Pos	D3/213
D802,912	S	*	11/2017	Brodin	D3/213
9,848,713	B2		12/2017	Rosen		
D827,293	S	*	9/2018	Banach	D3/214
D833,735	S	*	11/2018	Hauser	D3/214
D835,902	S	*	12/2018	Young	D3/214
D841,976	S	*	3/2019	Tormans	D3/214
2005/0051582	A1	*	3/2005	Frost	A47D 13/025 224/160
2005/0184114	A1	*	8/2005	Hoff	A47D 13/025 224/160
2008/0283560	A1	*	11/2008	Parness	A47D 13/025 224/160
2010/0200626	A1	*	8/2010	Moftakhar	A47D 13/025 224/160
2011/0089205	A1	*	4/2011	Coote	A47D 13/025 224/160
2012/0061429	A1	*	3/2012	Sauer	A47D 13/025 224/160

2012/0187162	A1	*	7/2012	Bergkvist	A47D 13/025 224/160
2014/0231472	A1	*	8/2014	Cha	A47D 13/025 224/160
2015/0196133	A1	*	7/2015	Rosen	A47D 13/025 224/160
2015/0282639	A1	*	10/2015	Chuah	D47D 13/025 224/160
2016/0150893	A1	*	6/2016	Salazar	A47D 13/025 224/160
2016/0227940	A1	*	8/2016	Wikner	A47D 13/025
2017/0196374	A1	*	7/2017	Chen	A47D 13/025
2017/0238722	A1	*	8/2017	Flaunty	A47D 13/025
2017/0332806	A1	*	11/2017	Liu	A47D 13/025

OTHER PUBLICATIONS

Beco Gemini, available at <<https://becobabycarrier.com/collections/beco-gemini>> at least as early as Jun. 24, 2016.
 Free-to-Grow Baby Carrier by Baby Tula, available at <<https://babytula.com/products/stormy-tula-free-to-grow-baby-carrier?variant=43810370378>>.
 Original Baby Carrier by Ergobaby, available at <<https://store.ergobaby.com/baby-carrier/original-collection/original-moon-stone>>.
 Boba Classic 4GS Carrier, available at <<https://boba.com/collections/boba-4gs-carrier/products/boba-carrier-birds-of-a-feather>>.
 Oct. 17, 2016 Tradeshow, Happy Baby display by inventor Mary Elizabeth Young.
 Tula Free-to-grow Coast baby carrier, available for purchase at least as early as Mar. 23, 2019.
 CatBird Baby Mei tai baby carrier, available for purchase at least as early as Jul. 7, 2010.
 Babyhawk Mei tai baby carrier, available for purchase at least as early as Mar. 30, 2011.
 Boba Air, available for purchase at least as early as Jun. 26, 2014.
 Boba 2G Baby Carrier, available for purchase at least as early as Feb. 24, 2010.
 Boba 3G Baby Carrier, available for purchase at least as early as Jan. 22, 2012.
 Boba 4G Baby Carrier, available for purchase at least as early as Nov. 17, 2013.
 Integra baby carrier, available at <https://integrababy.co.uk>, at least as early as Sep. 30, 2017.
 Connecta baby carrier, available at <https://connectacarrier.co.uk/>, at least as early as Dec. 15, 2017.

* cited by examiner

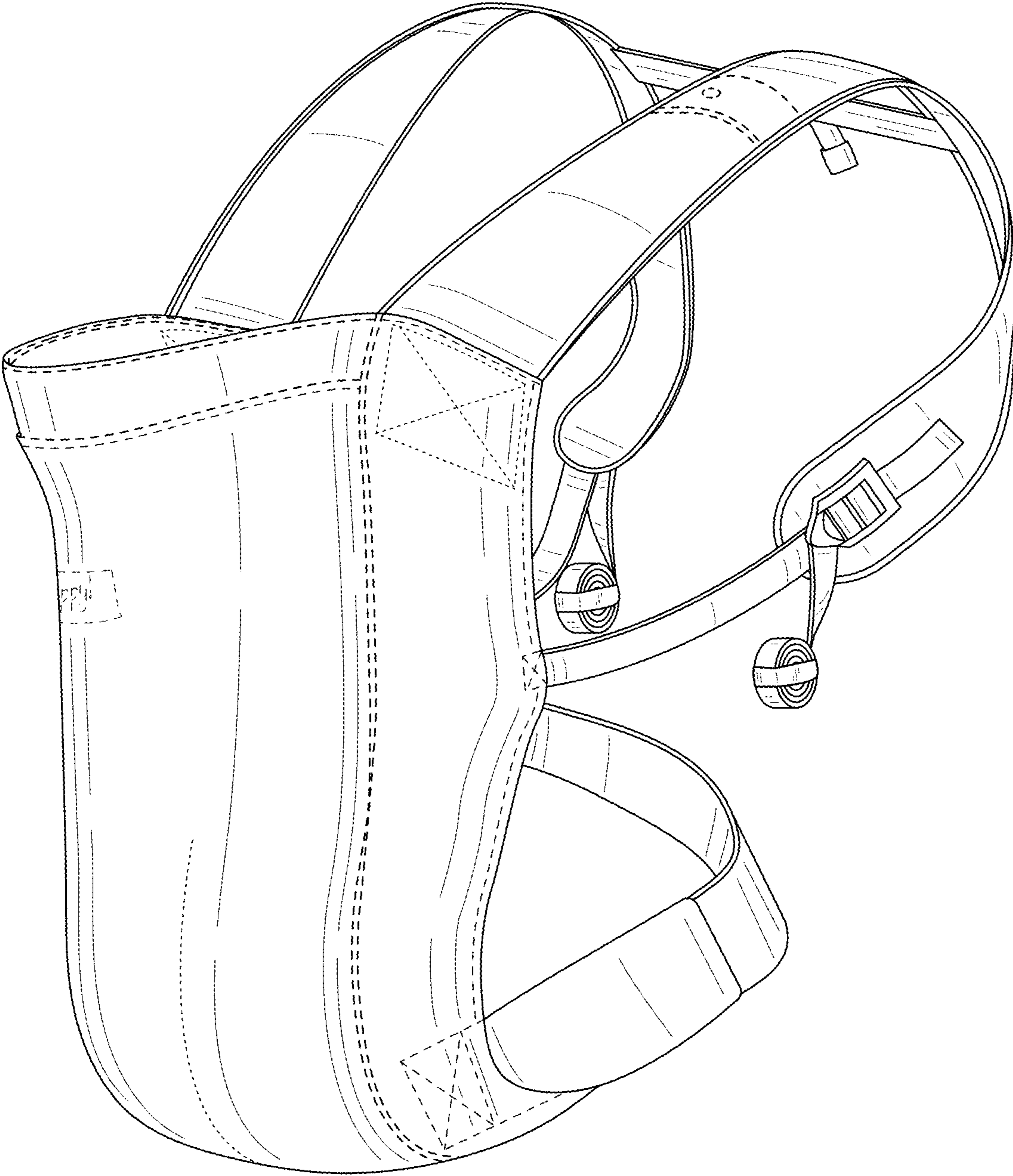


FIG. 1

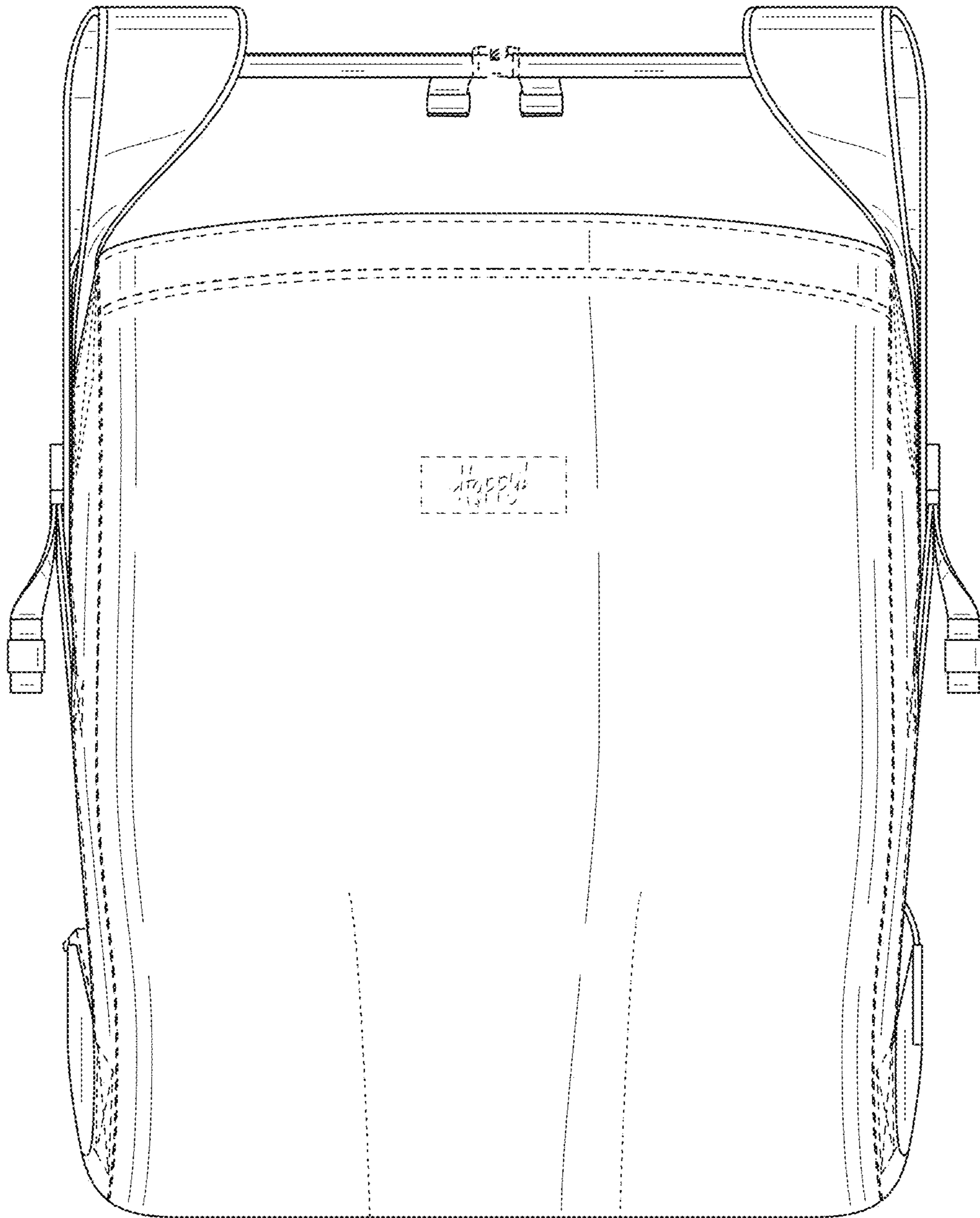


FIG. 2

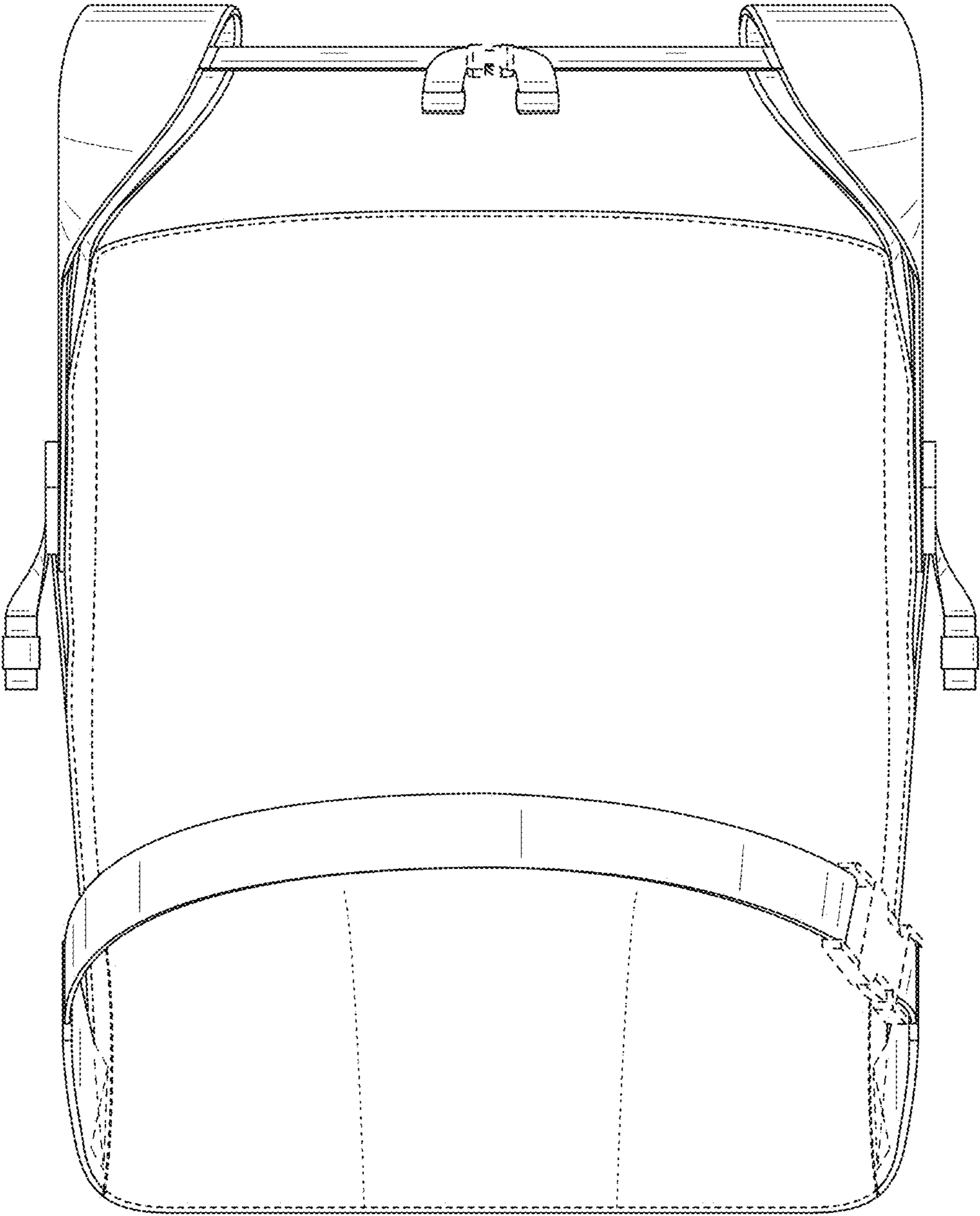


FIG. 3

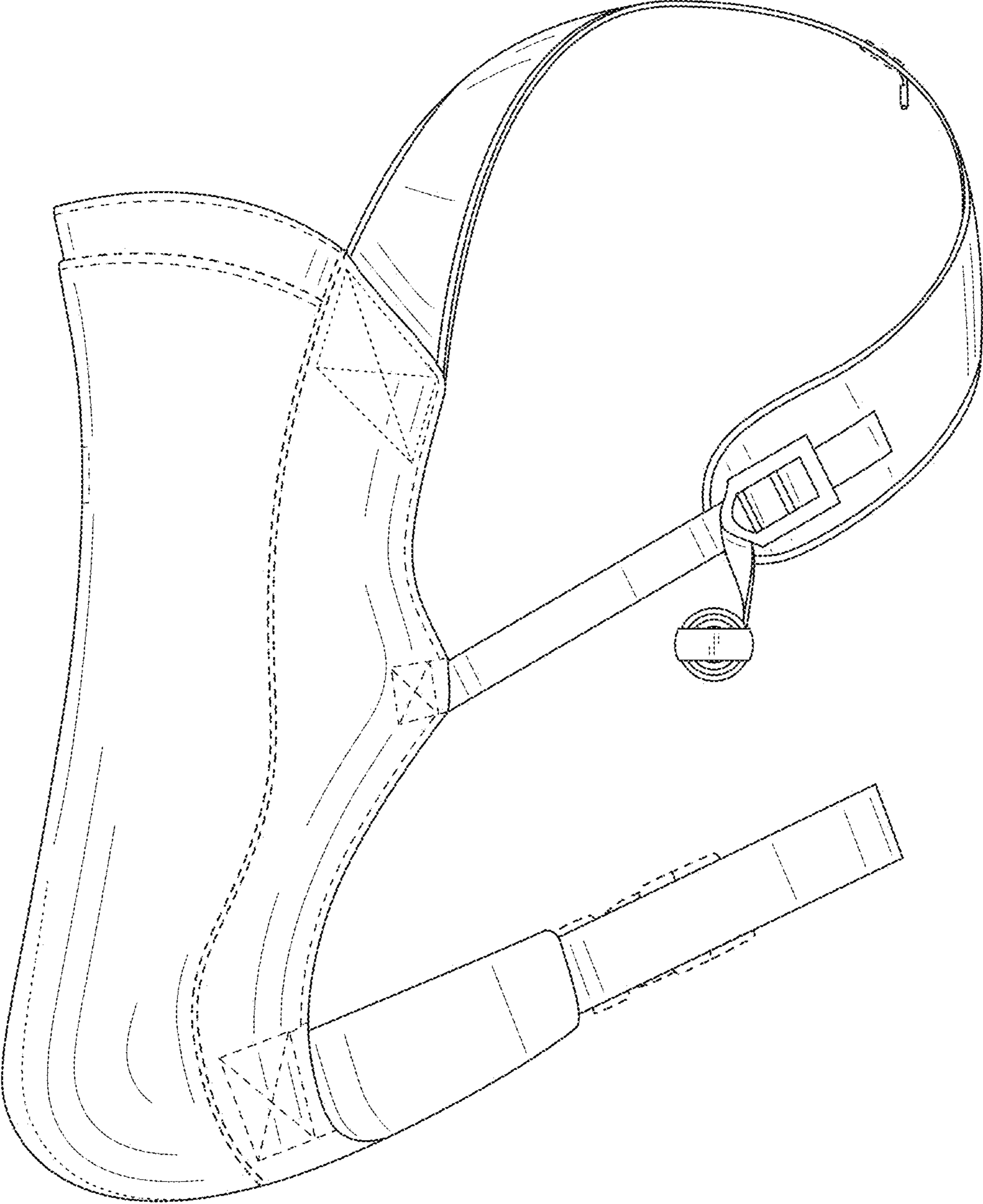


FIG. 4

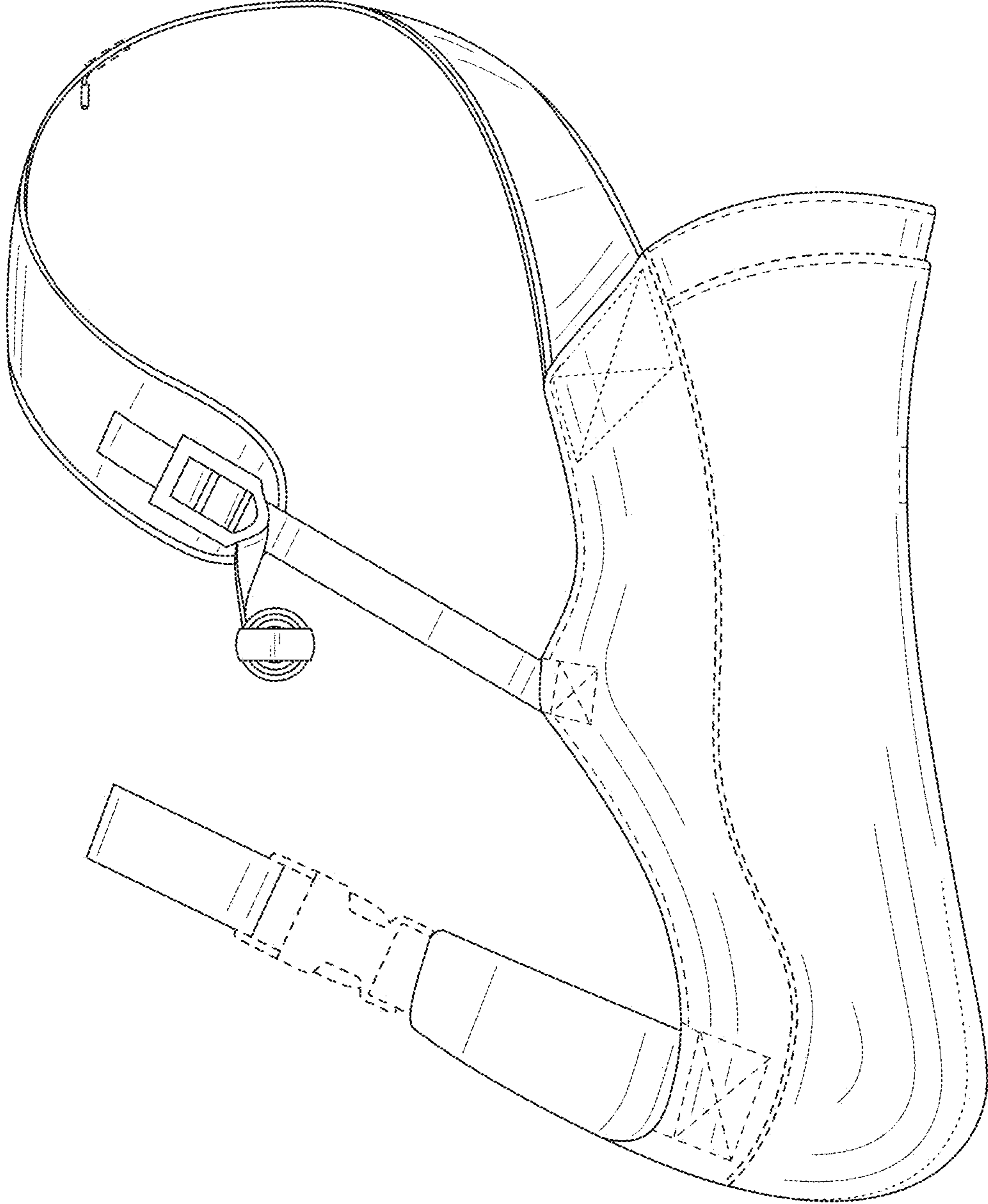


FIG. 5

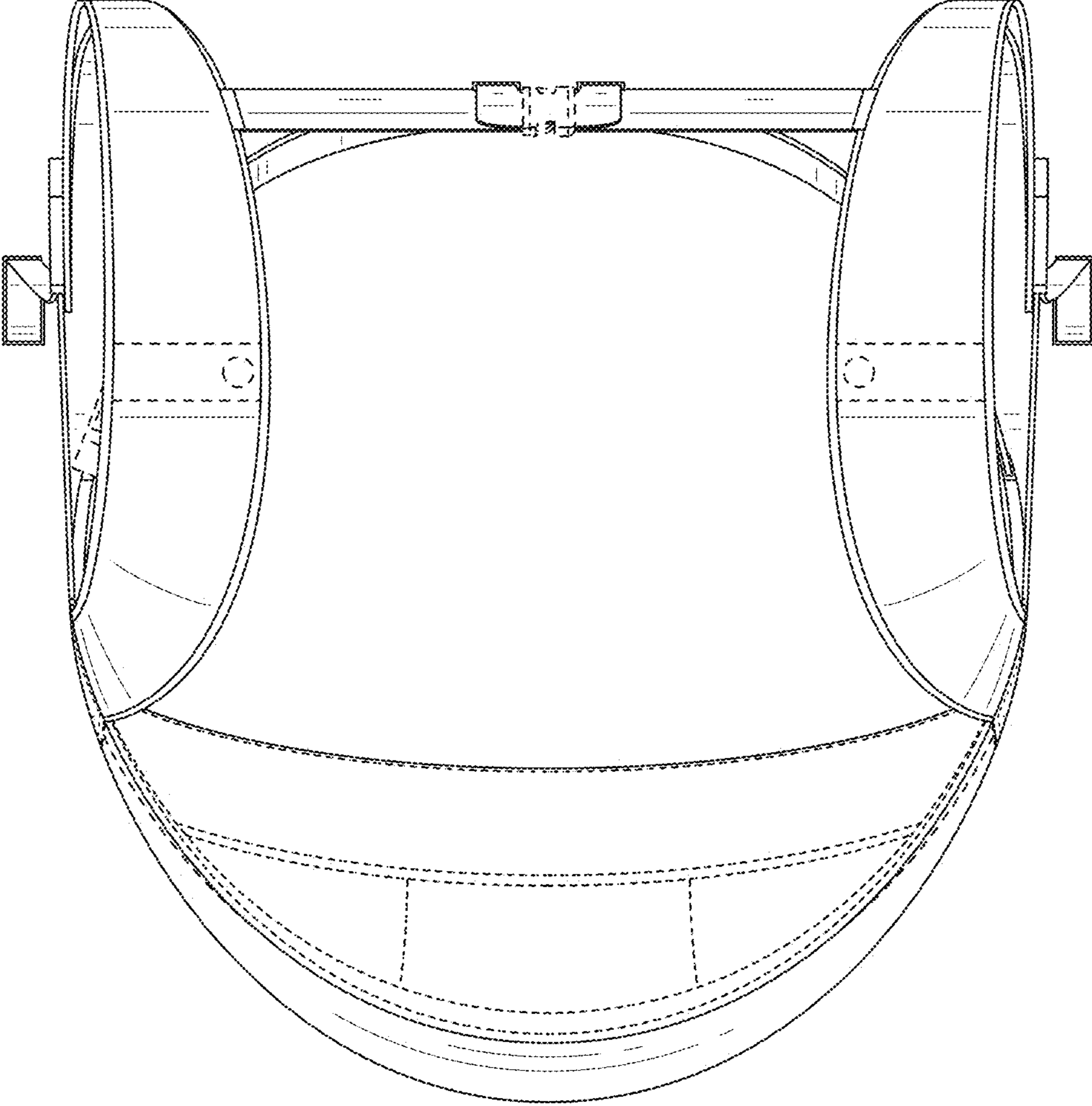


FIG. 6

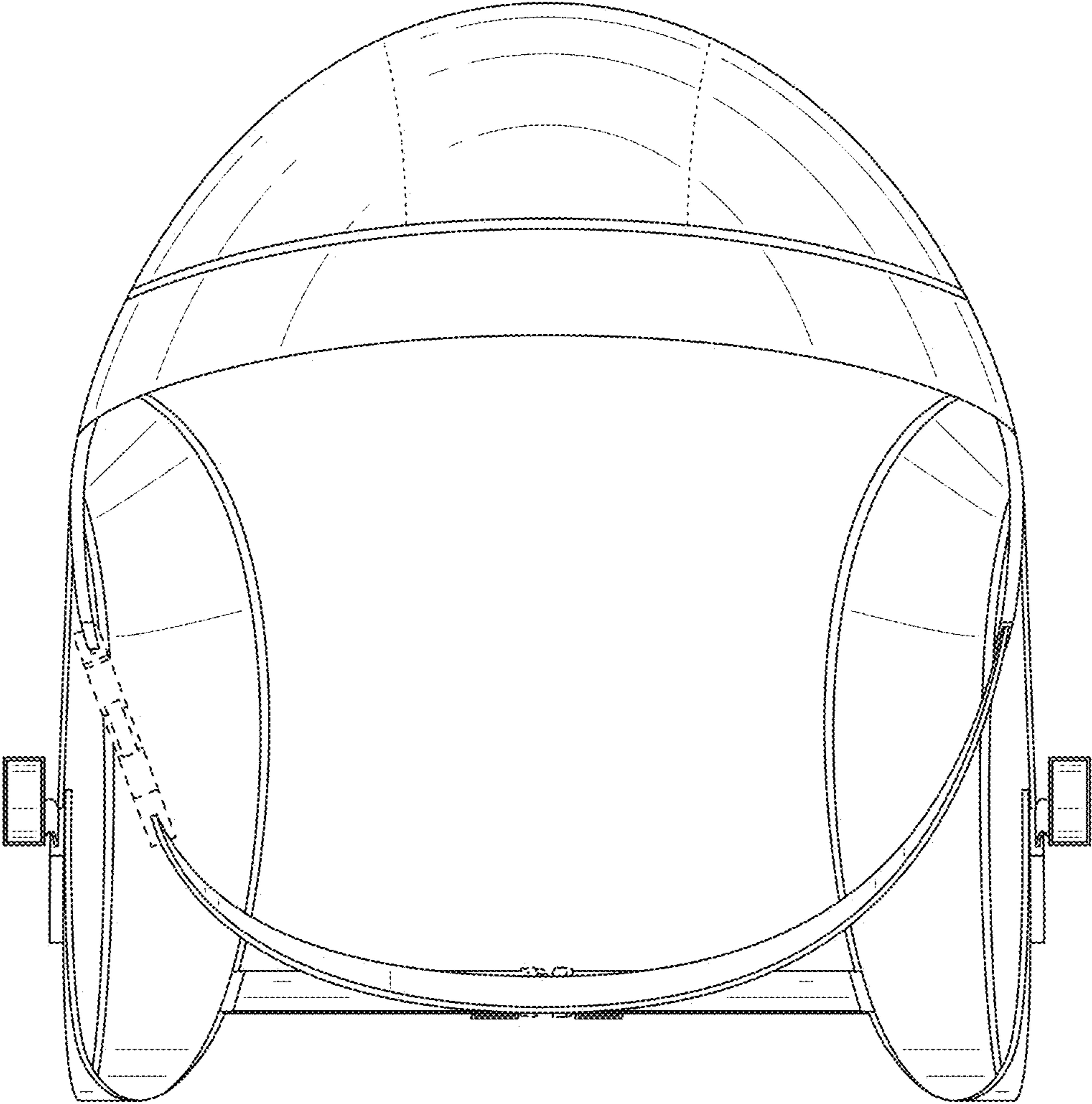


FIG. 7

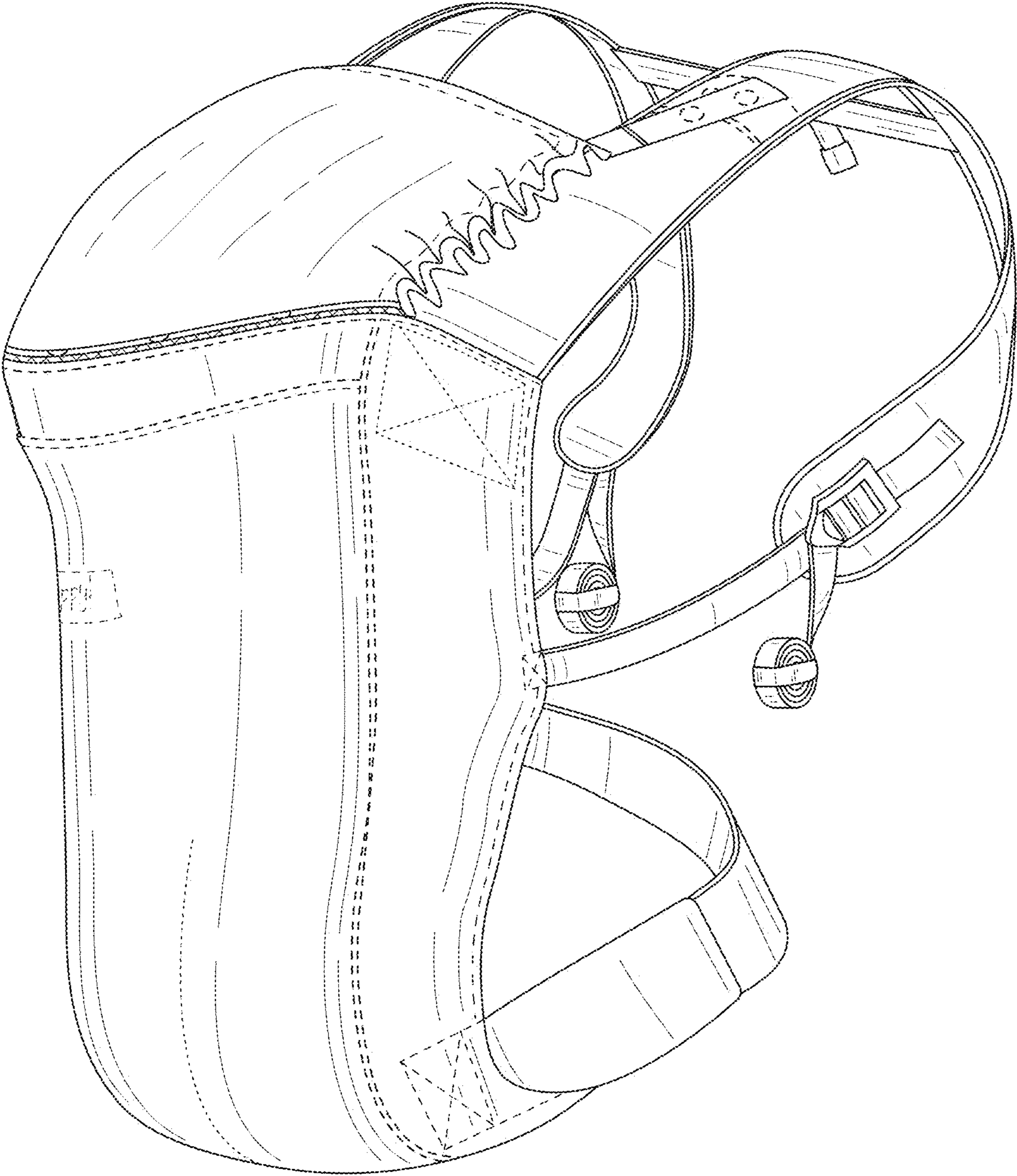


FIG. 8

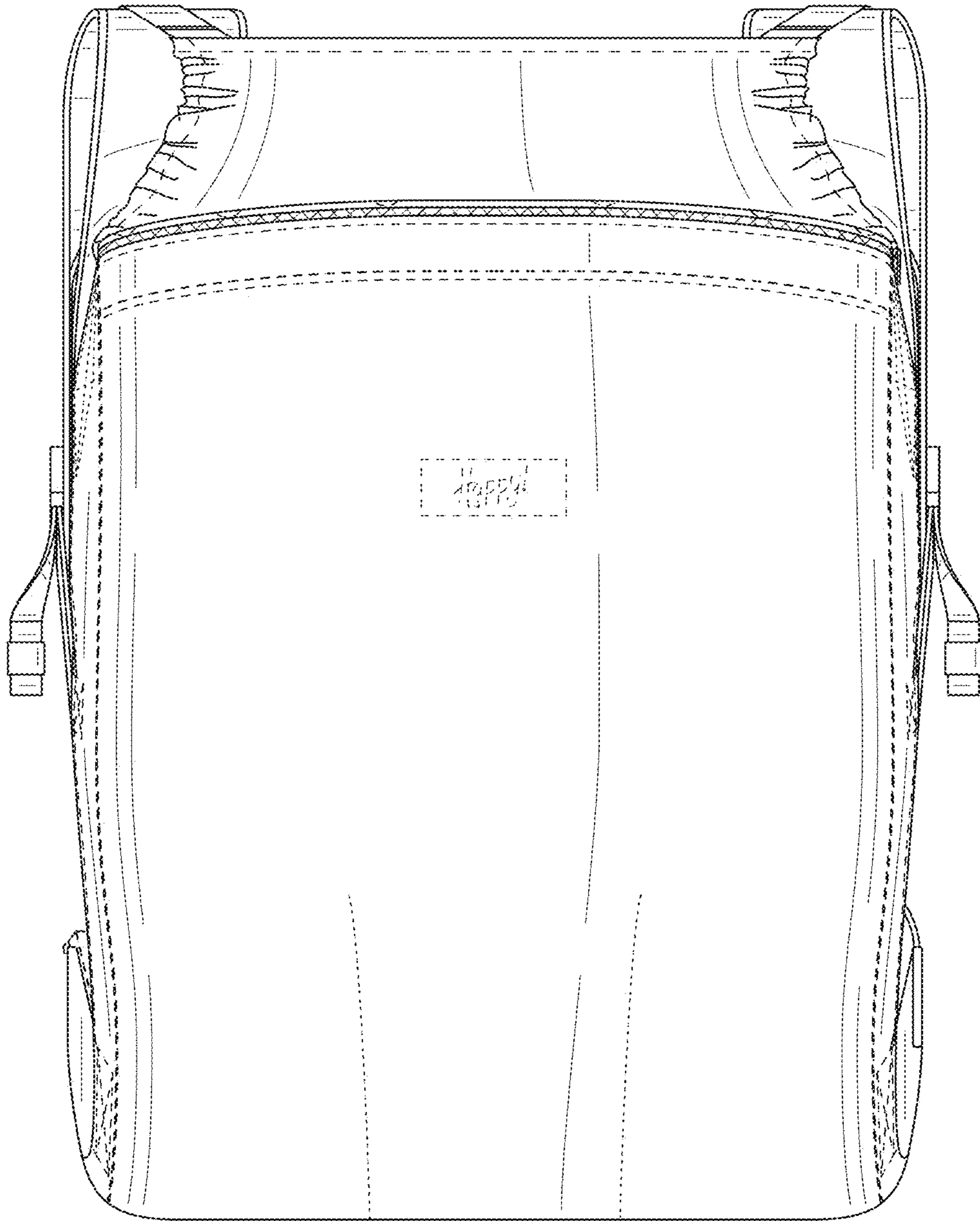


FIG. 9

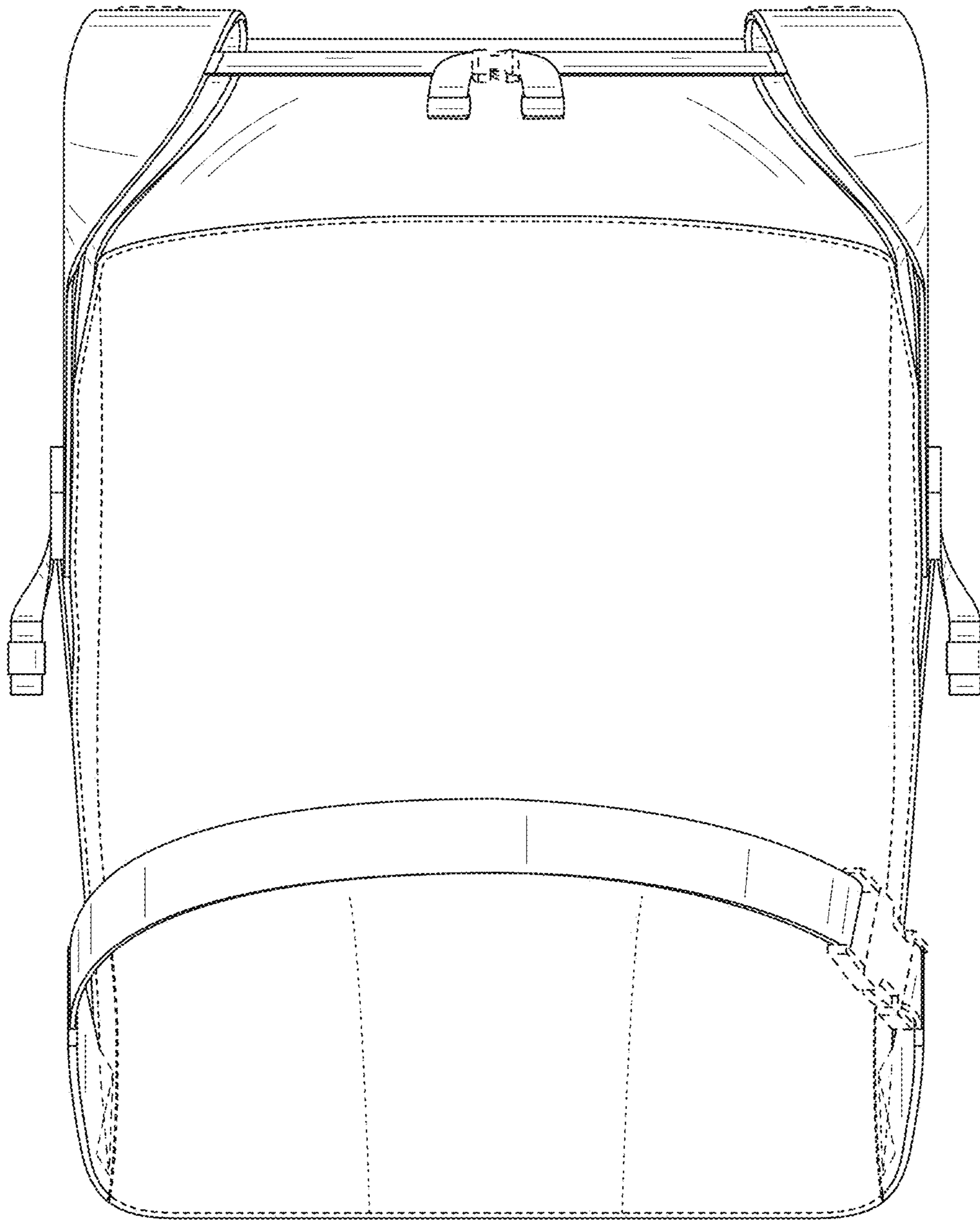


FIG. 10

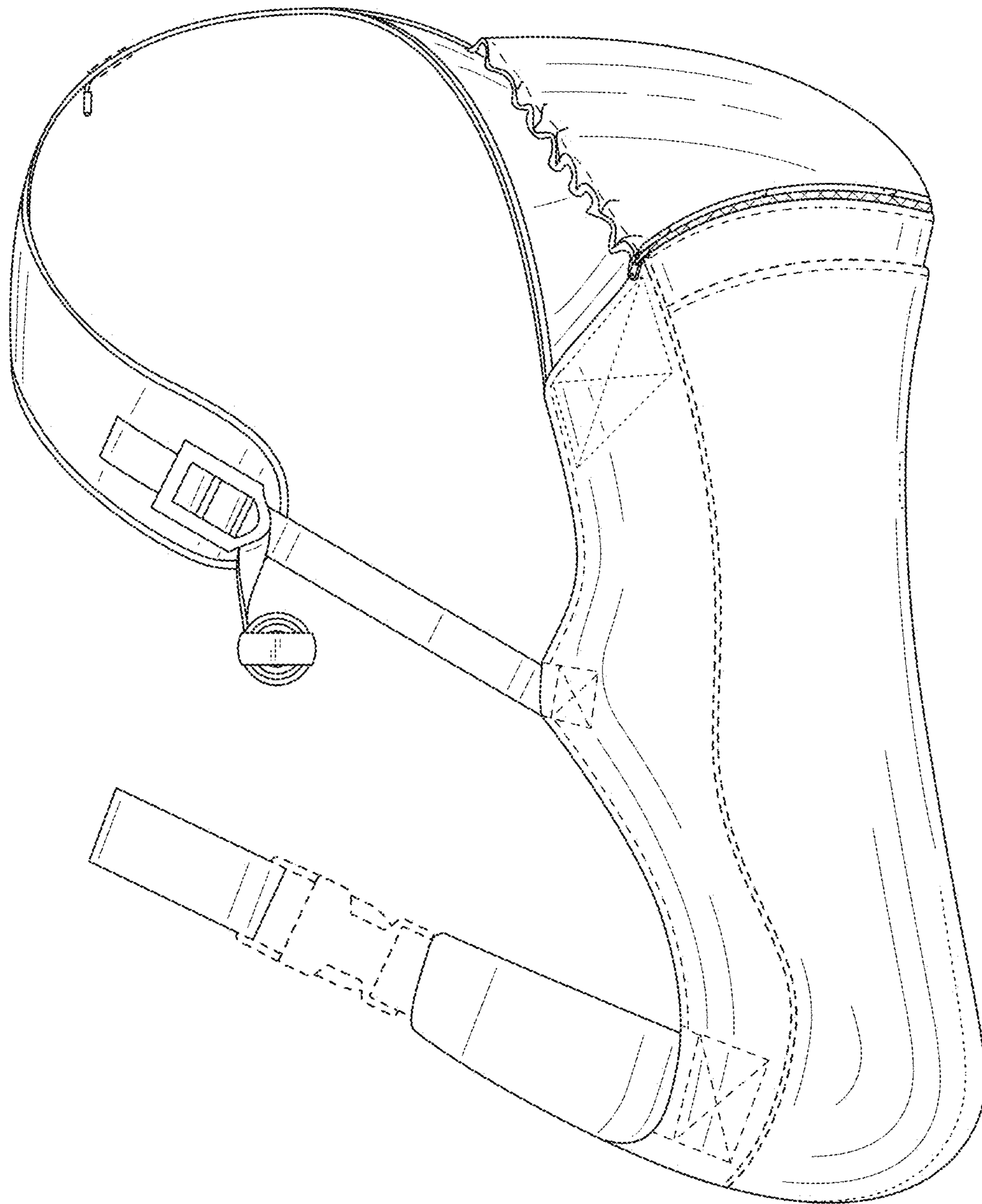


FIG. 11

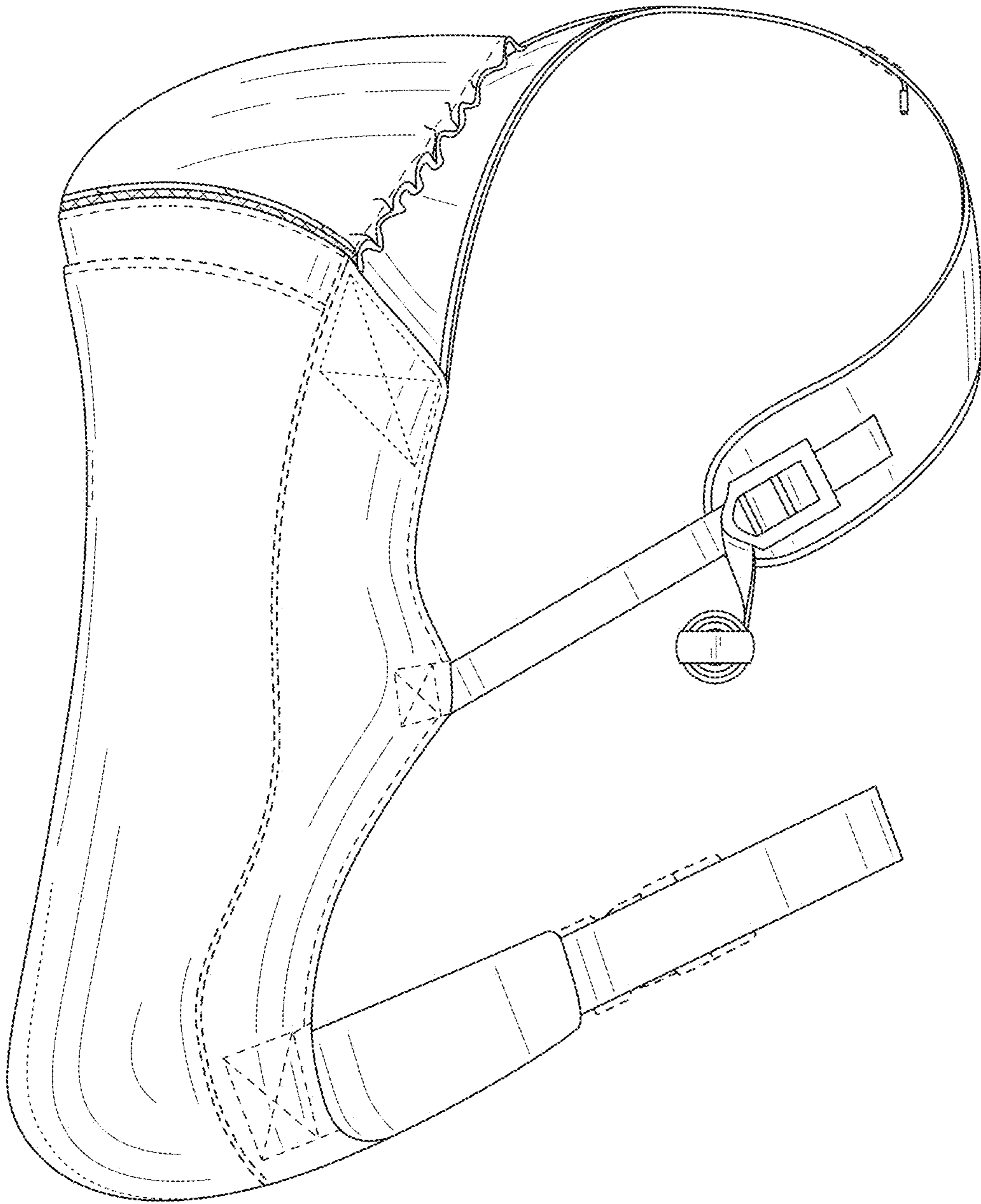


FIG. 12

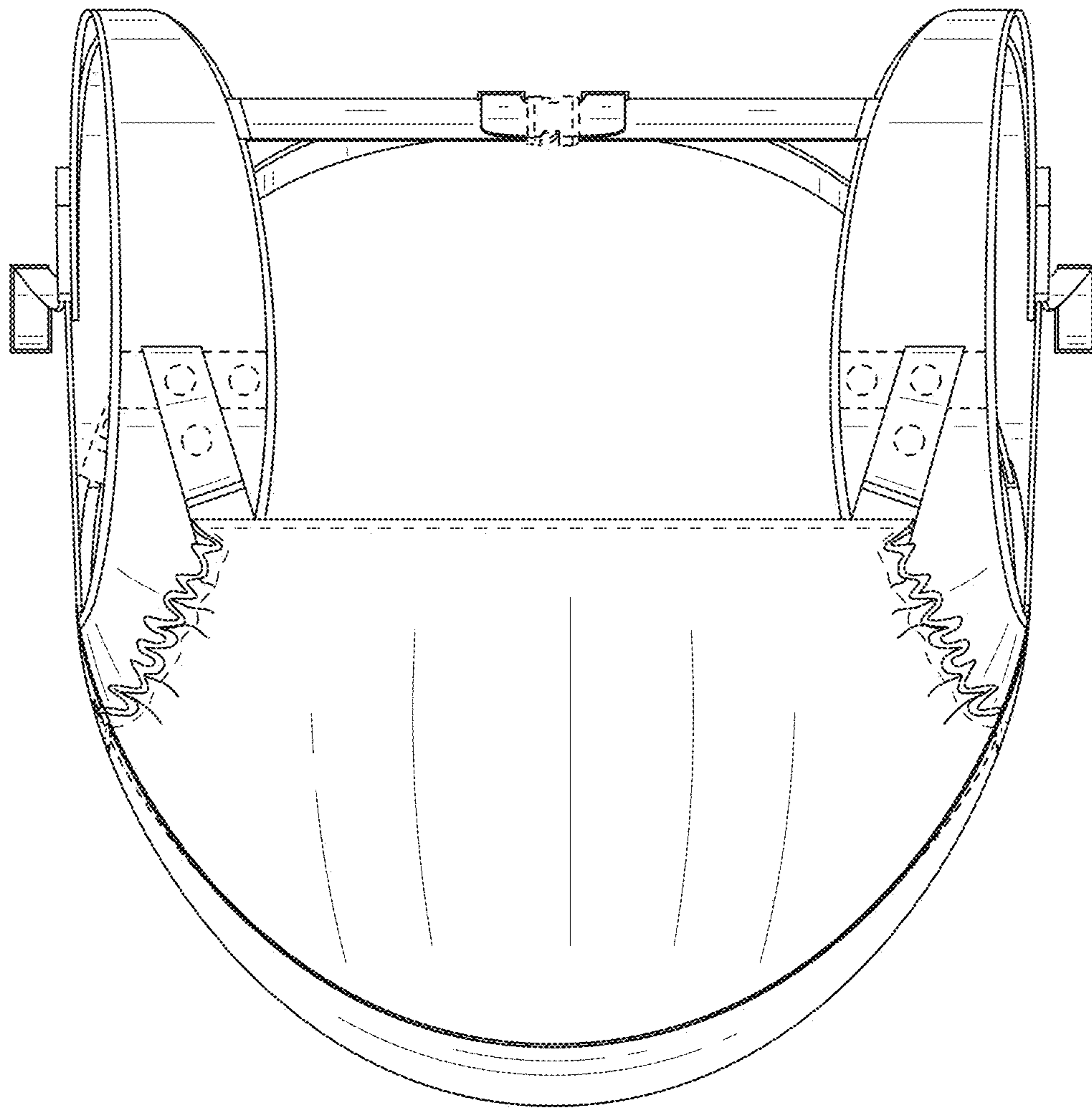


FIG. 13

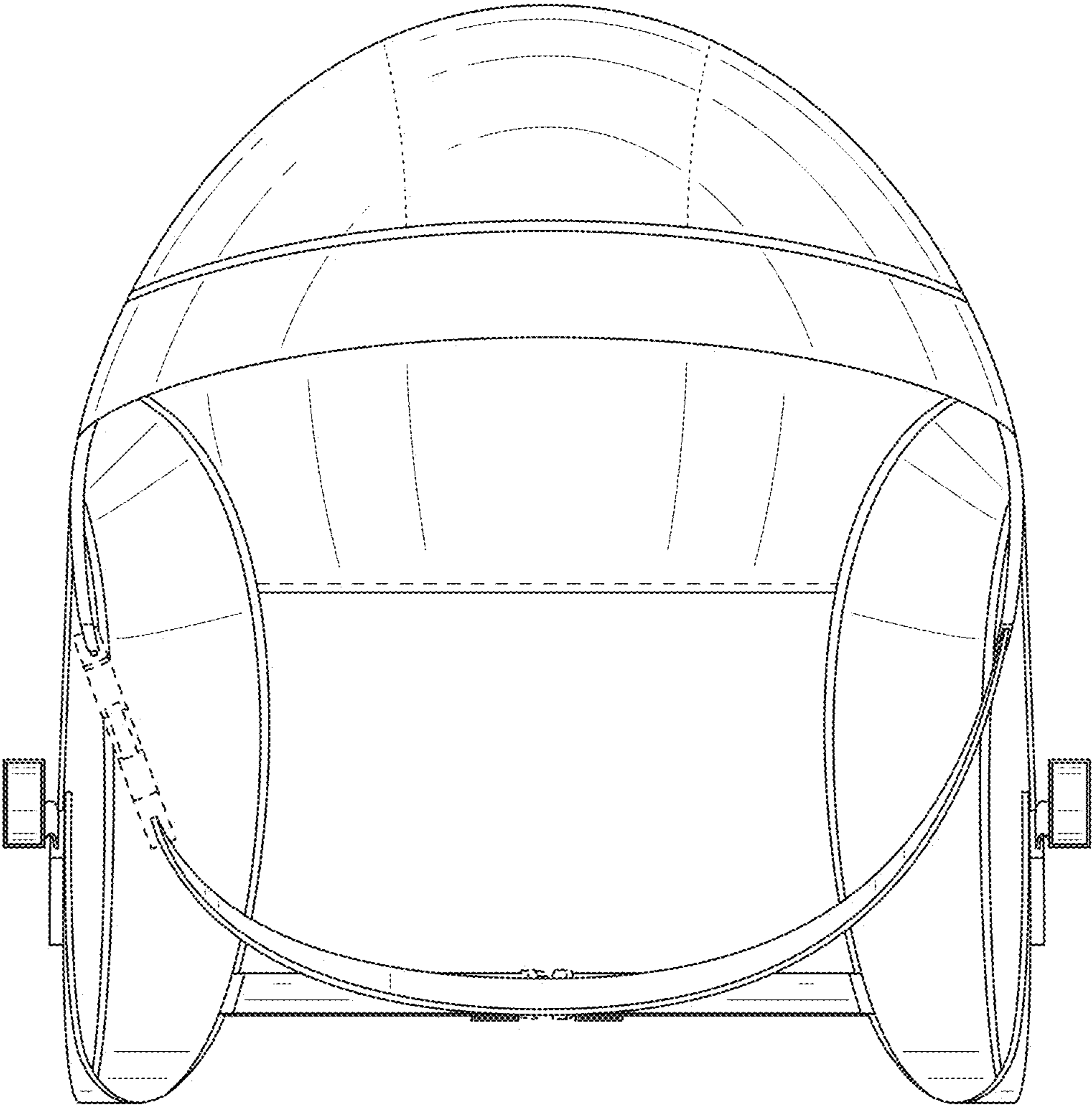


FIG. 14