



US00D876821S

(12) **United States Design Patent** (10) **Patent No.:** **US D876,821 S**  
**Lee** (45) **Date of Patent:** **\*\* Mar. 3, 2020**

(54) **PILL BOX**  
(71) Applicant: **E-LINK PLASTIC & METAL INDUSTRIAL CO., LTD.**, New Taipei (TW)  
(72) Inventor: **Cheng-Hua Lee**, New Taipei (TW)  
(73) Assignee: **E-LINK PLASTIC & METAL INDUSTRIAL CO., LTD.**, New Taipei (TW)  
(\*\*) Term: **15 Years**  
(21) Appl. No.: **29/678,832**

D484,305 S \* 12/2003 Eldon, III ..... D3/205  
D494,359 S \* 8/2004 Eldon, III ..... D3/203.5  
D516,801 S \* 3/2006 Jones, III ..... D3/203.2  
D549,119 S \* 8/2007 Becker ..... D10/104.1  
D554,859 S \* 11/2007 Sides ..... D3/273  
D592,398 S \* 5/2009 Roesler ..... D3/294  
D592,399 S \* 5/2009 Sage ..... D3/295  
D593,316 S \* 6/2009 Ruwiel ..... D3/203.2  
D640,920 S \* 7/2011 Giraud ..... D3/203.2  
D652,617 S \* 1/2012 Chen ..... D3/203.3  
D666,811 S \* 9/2012 Yang ..... D3/247  
D672,952 S \* 12/2012 Yang ..... D3/247  
D675,434 S \* 2/2013 Vernall ..... D3/294  
D715,051 S \* 10/2014 Tung ..... D3/294  
D735,476 S \* 8/2015 Duvigneau ..... D3/294  
D805,774 S \* 12/2017 Sun ..... D3/294  
D839,583 S \* 2/2019 Cao ..... D3/201

(Continued)

(22) Filed: **Jan. 31, 2019**  
(51) **LOC (12) Cl.** ..... **03-01**  
(52) **U.S. Cl.**  
USPC ..... **D3/203.3**  
(58) **Field of Classification Search**  
USPC ..... D3/201, 203.1, 203.2, 203.3, 203.5,  
D3/203.6, 205, 273, 294, 295; D9/756,  
D9/759, 414, 420, 421, 428  
CPC .. A45D 40/00; A45D 40/22; A61J 1/00; A61J  
1/03; A61J 7/04; B65D 83/04; B65D  
83/0445; B65D 43/16; B65D 43/161;  
B65D 43/162  
See application file for complete search history.

Primary Examiner — Steven J Cxyz  
(74) Attorney, Agent, or Firm — WPAT, PC

(57) **CLAIM**

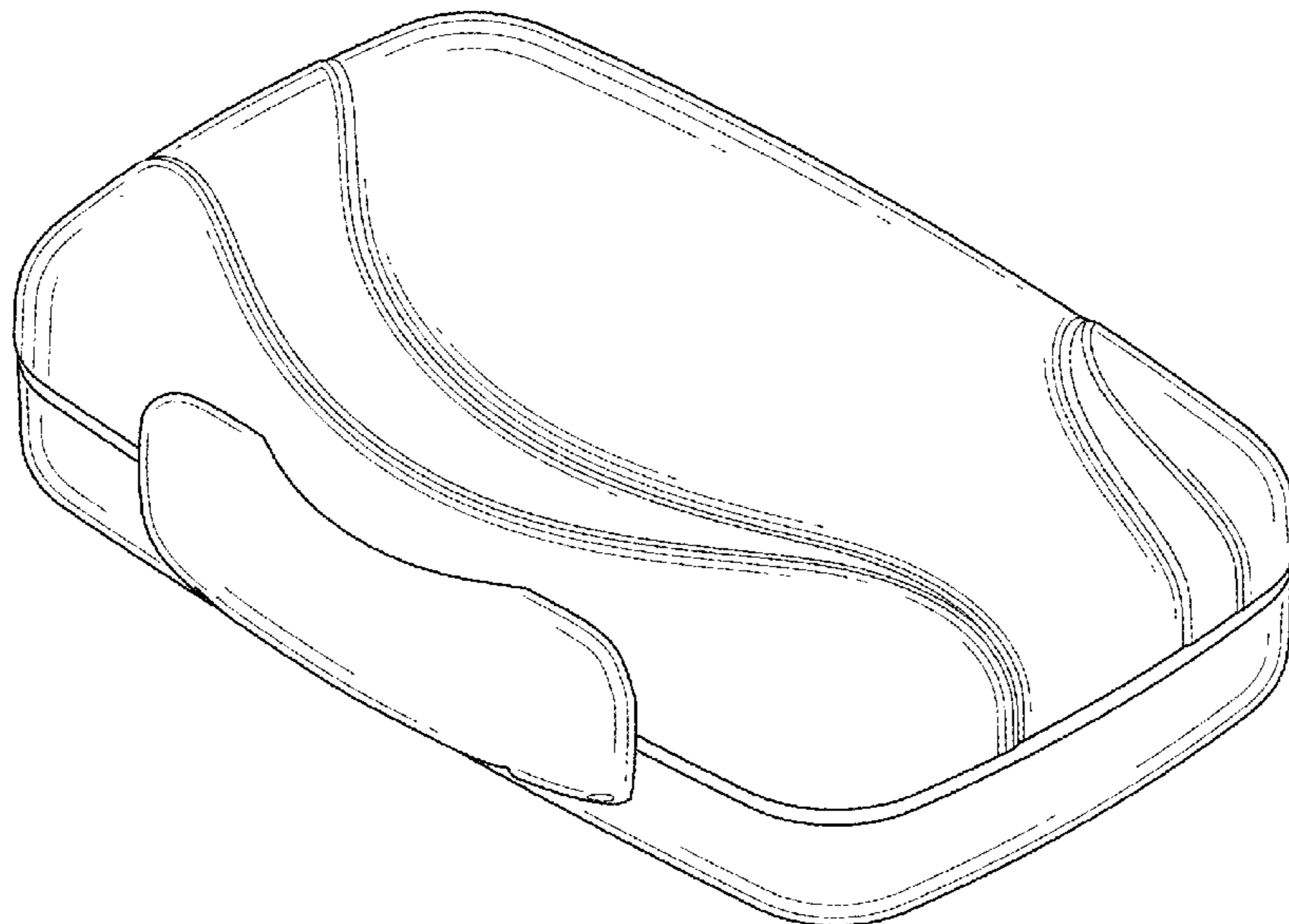
The ornamental design for a pill box, as shown and described.

**DESCRIPTION**

FIG. 1 is a perspective view of a pill box showing my new design;  
FIG. 2 is a front elevation view thereof;  
FIG. 3 is a rear elevation view thereof;  
FIG. 4 is a left side elevation view thereof;  
FIG. 5 is a right side elevation view thereof;  
FIG. 6 is a top plan view thereof;  
FIG. 7 is a bottom plan view thereof;  
FIG. 8 is an operational perspective view thereof, wherein the pill box is shown opened; and,  
FIG. 9 is another operational perspective view thereof, wherein the pill box is shown opened.  
The broken lines depict portions of the article that form no part of the claimed design.

(56) **References Cited**  
U.S. PATENT DOCUMENTS  
2,984,380 A \* 5/1961 Kuhn ..... A45D 27/22  
220/827  
4,454,889 A \* 6/1984 Contreras, Sr. .... A45C 11/22  
132/301  
D278,097 S \* 3/1985 Akiyoshi ..... D3/295  
5,107,871 A \* 4/1992 Butcher ..... A45D 33/006  
132/293  
D458,127 S \* 6/2002 de Groote ..... D3/294  
D463,276 S \* 9/2002 Piscopo ..... D9/420

**1 Claim, 9 Drawing Sheets**



(56)

**References Cited**

U.S. PATENT DOCUMENTS

D840,146 S \* 2/2019 Hauss ..... D3/203.3  
D846,264 S \* 4/2019 Wu ..... D3/201  
D864,110 S \* 10/2019 Yoshimura ..... D13/108

\* cited by examiner

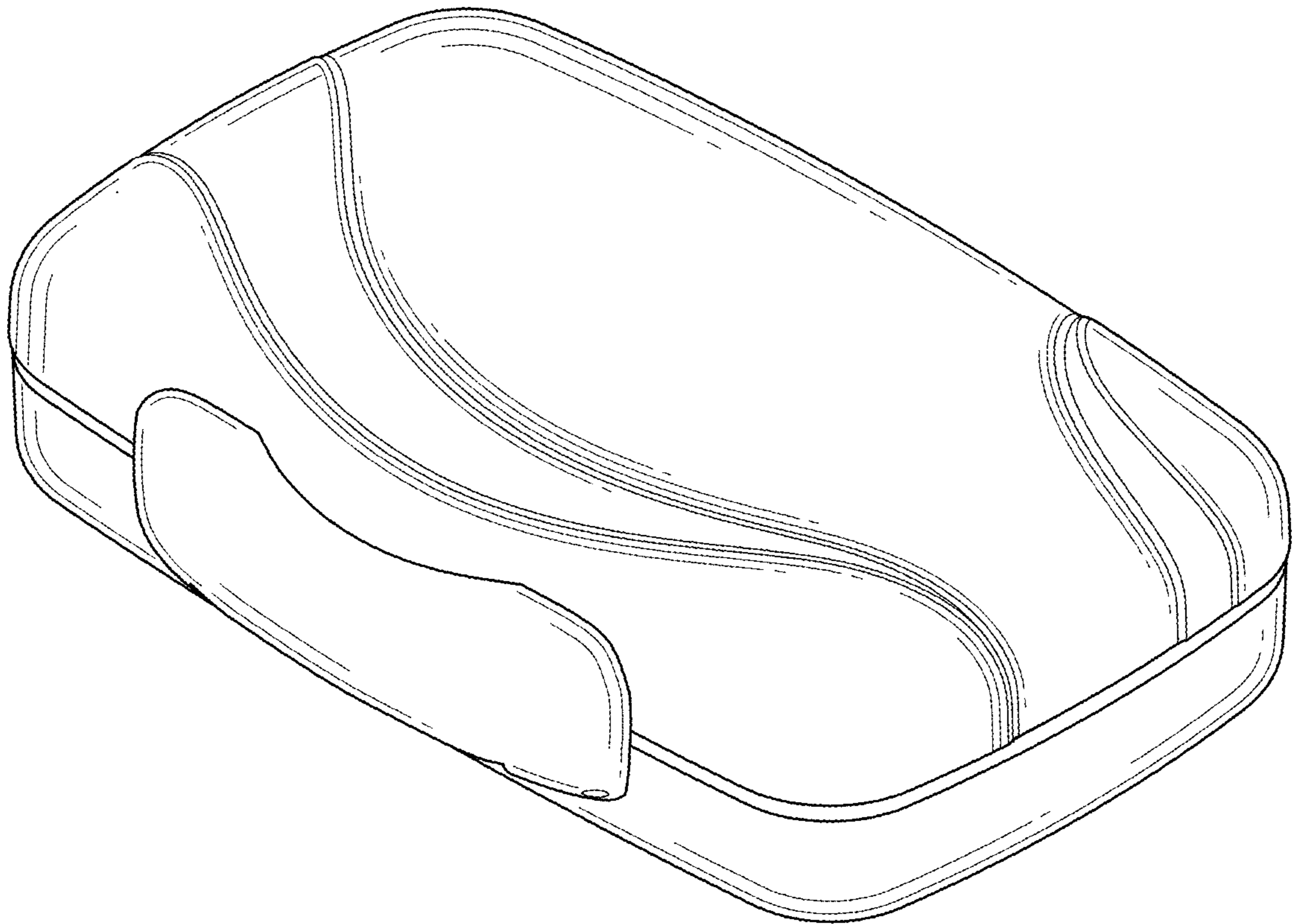


FIG. 1

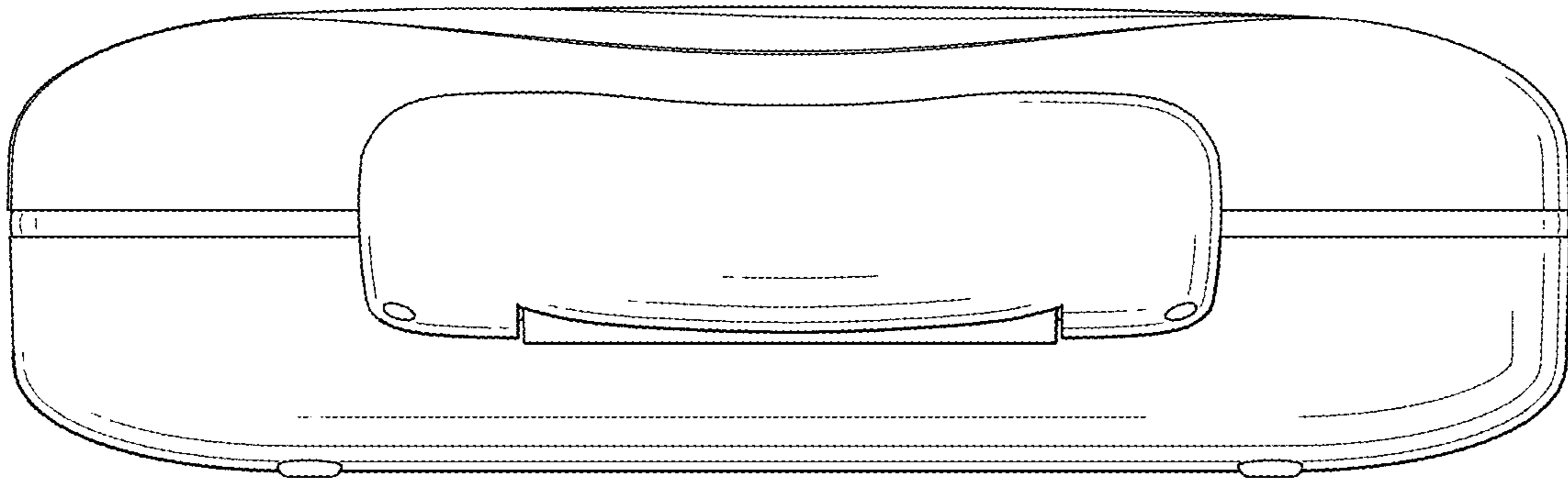


FIG. 2

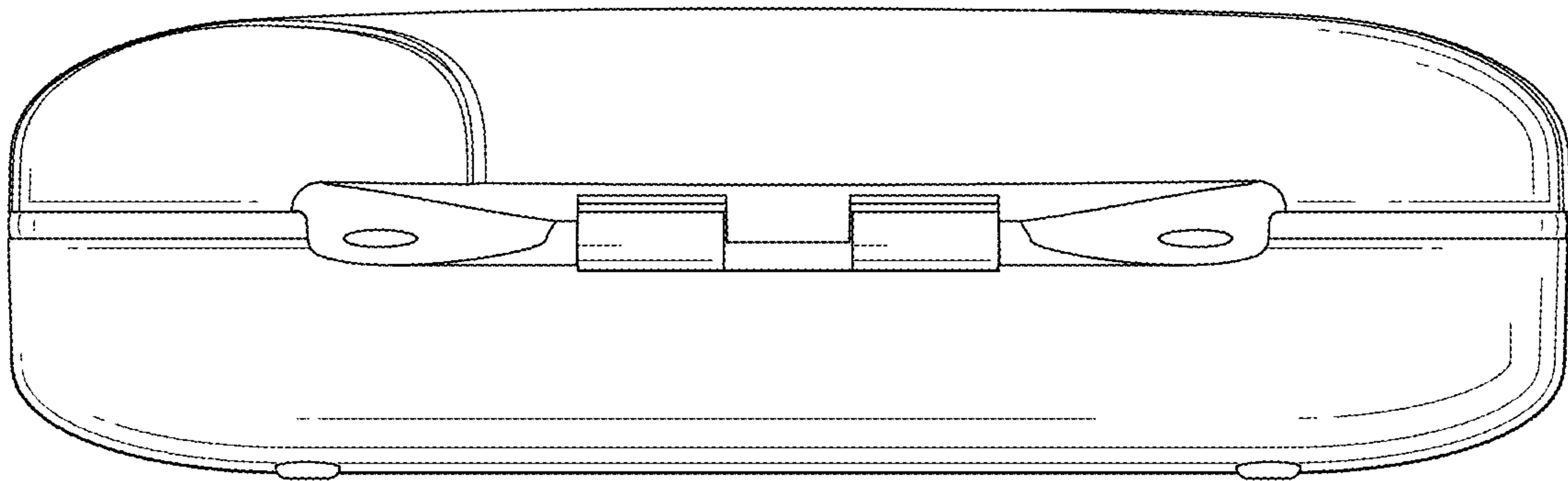


FIG. 3

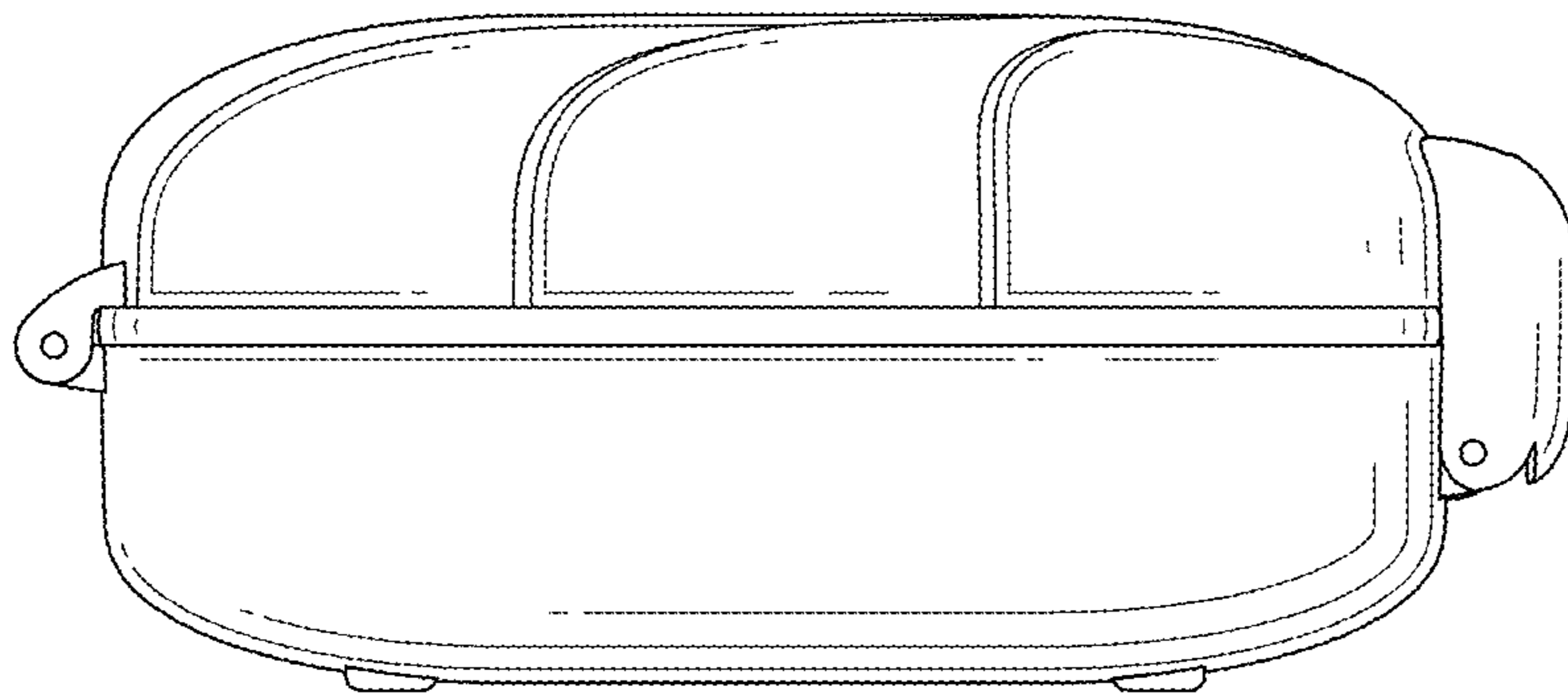


FIG. 4

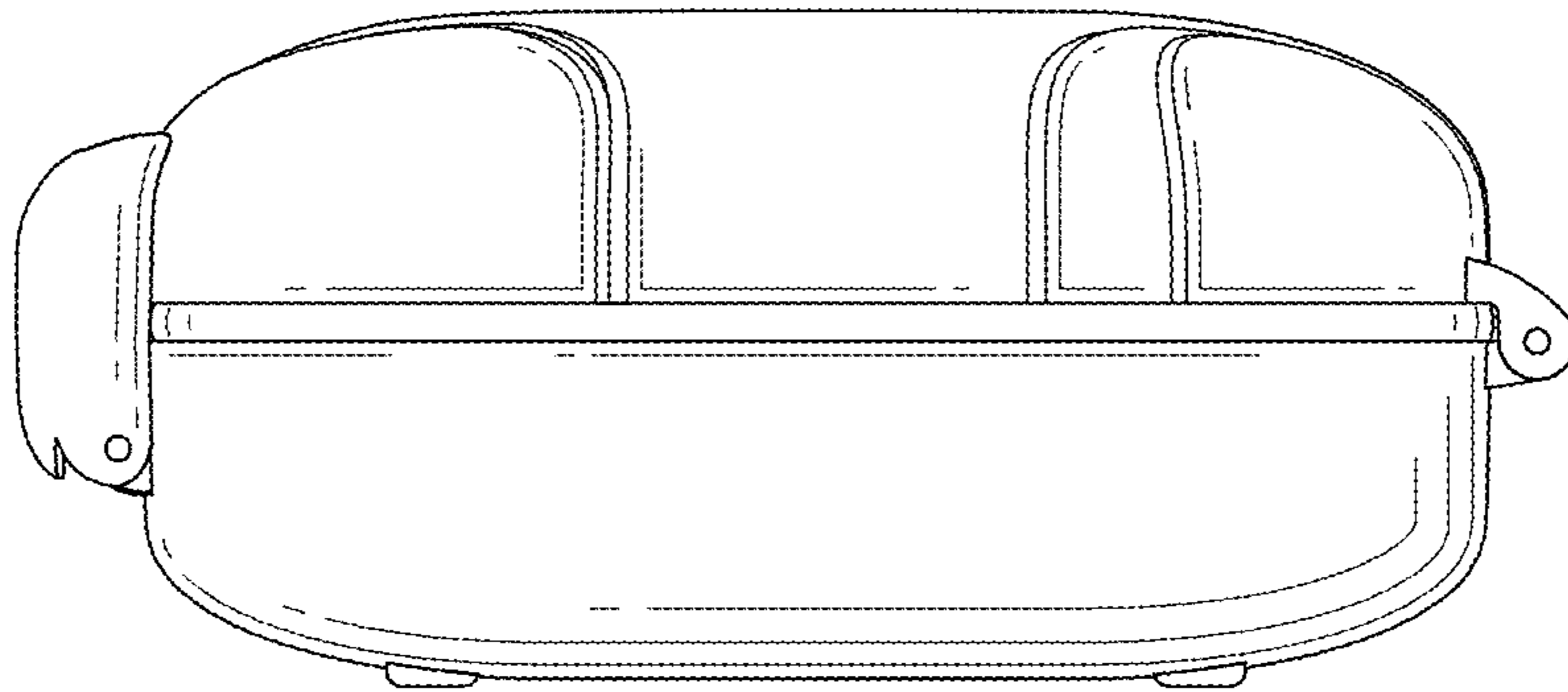


FIG. 5

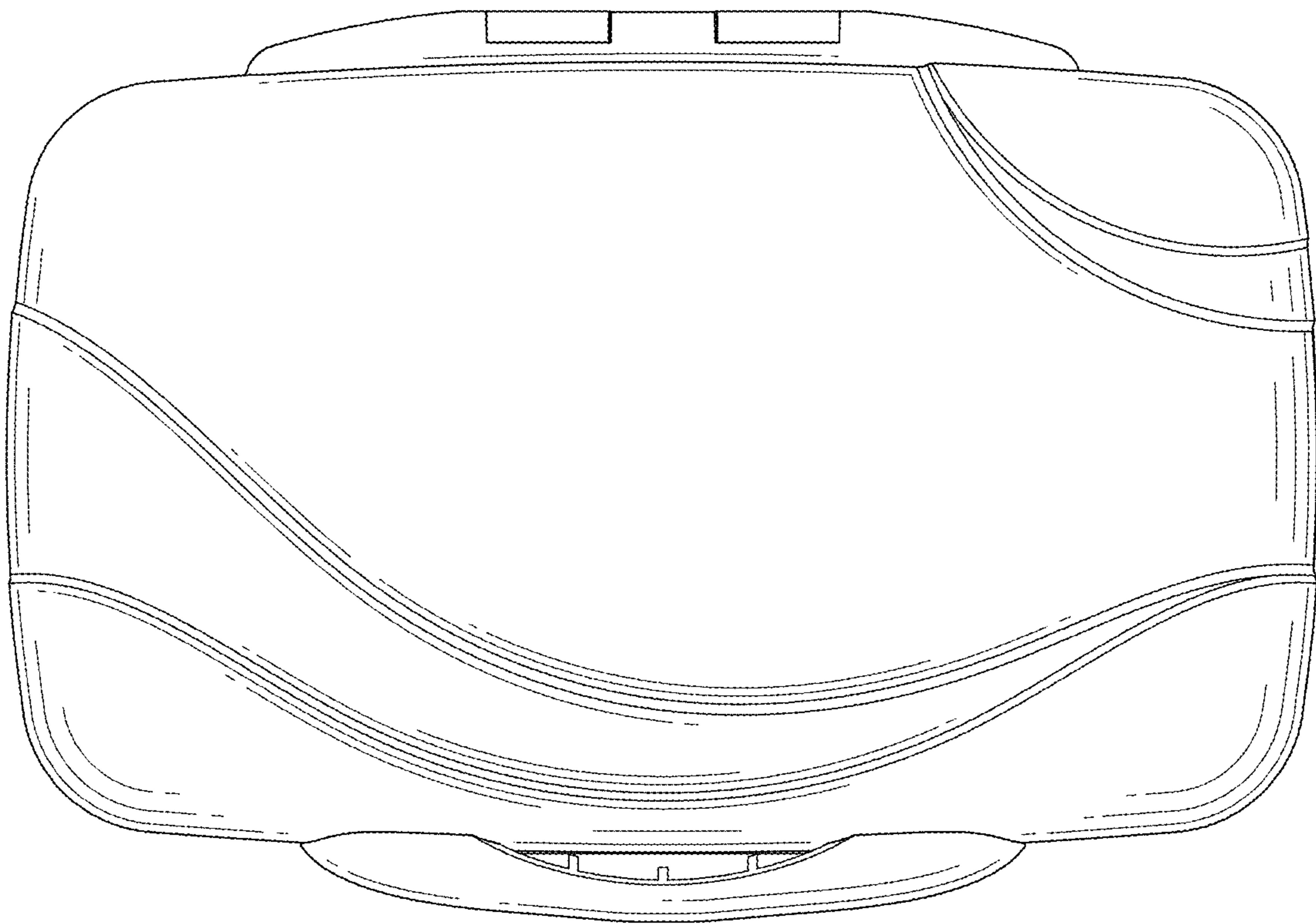


FIG. 6



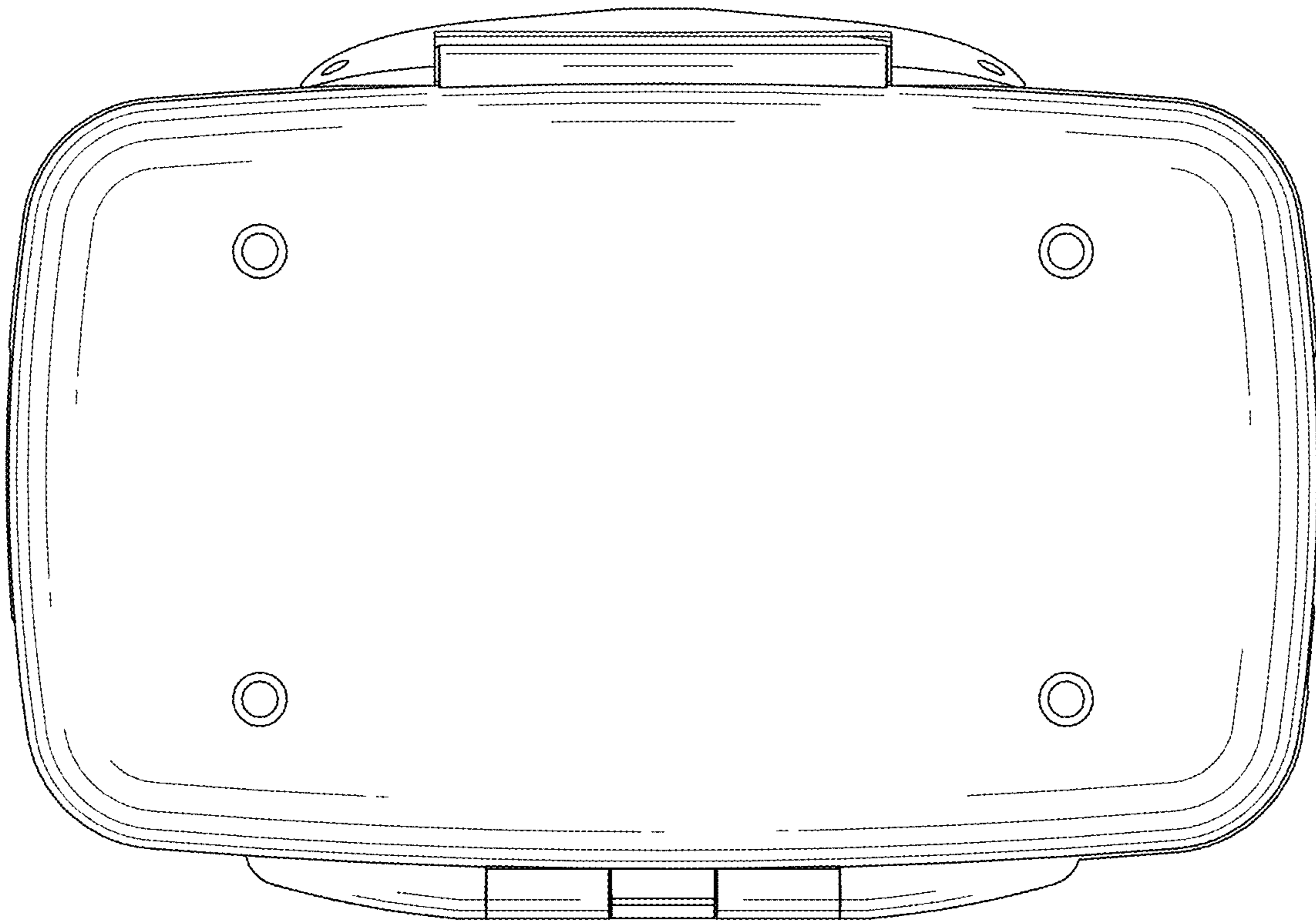


FIG. 7

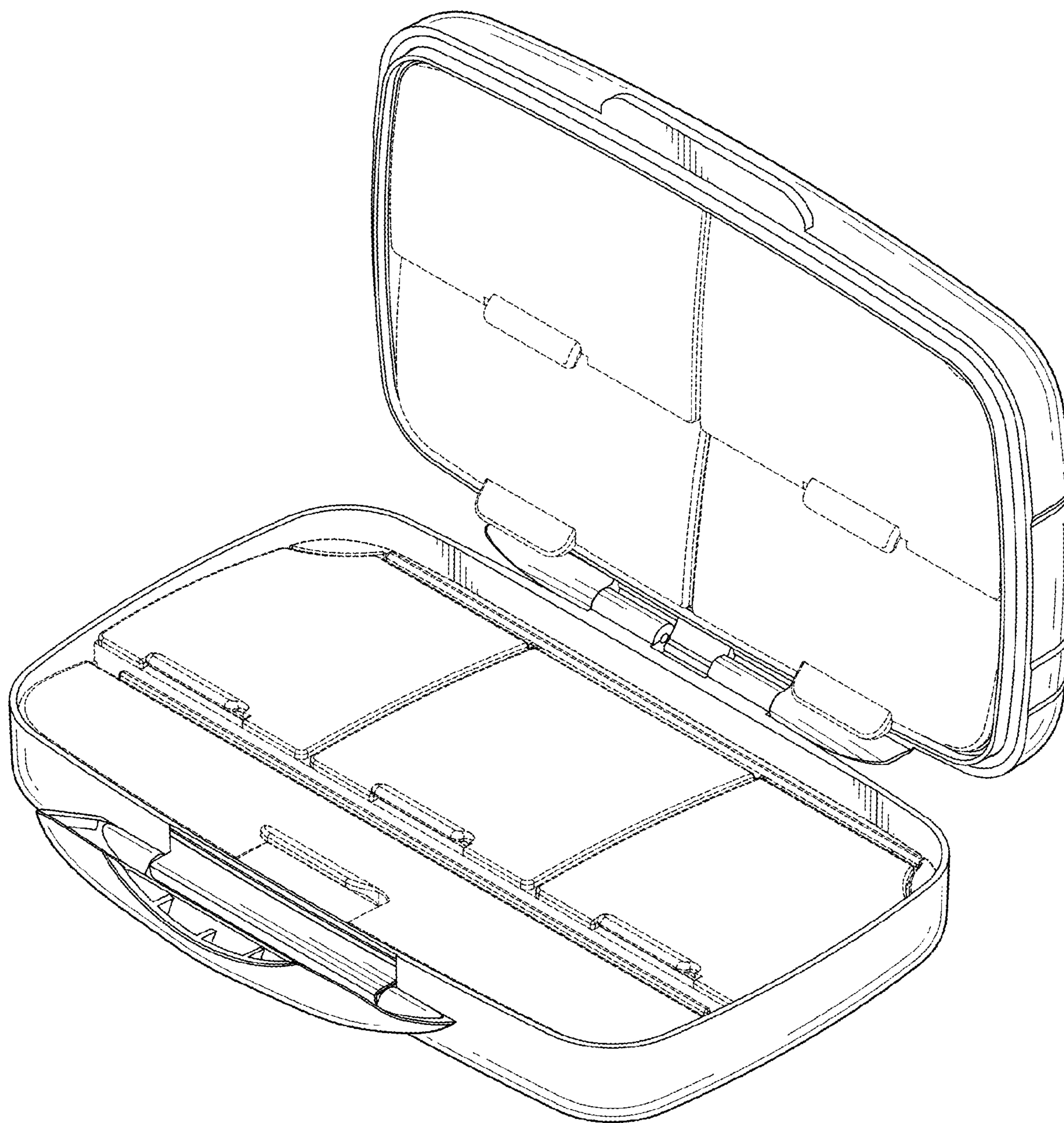


FIG. 8



FIG. 9