



US00D876820S

(12) **United States Design Patent**
Griffin et al.

(10) **Patent No.:** **US D876,820 S**
(45) **Date of Patent:** **** Mar. 3, 2020**

- (54) **HINGED CASE**
- (71) Applicant: **Practicon, Inc.**, Greenville, NC (US)
- (72) Inventors: **Bradley P. Griffin**, Greenville, NC (US); **Ryan Dart**, Raleigh, NC (US)
- (73) Assignee: **PRACTICON, INC.**, Greenville, NC (US)
- (**) Term: **15 Years**
- (21) Appl. No.: **29/676,056**
- (22) Filed: **Jan. 8, 2019**
- (51) **LOC (12) Cl.** **03-01**
- (52) **U.S. Cl.**
USPC **D3/203.1**
- (58) **Field of Classification Search**
USPC D3/201, 203.1, 203.2, 203.5, 203.6, 204, D3/205, 254, 269, 273, 294; D9/414, D9/420, 432
CPC B65D 85/187; B65D 21/086; B65D 25/04; B65D 53/00; B65D 25/102; B65D 43/02; B65D 25/10; B65D 43/16; A45C 2011/007; A45C 11/008; A45C 11/24; A45C 13/002; A61J 1/00
See application file for complete search history.

- D488,928 S * 4/2004 Foley D3/283
- D496,154 S * 9/2004 Herman D3/203.1
- D502,807 S * 3/2005 Jaron D3/273
- D503,831 S * 4/2005 Ames D28/78

(Continued)

Primary Examiner — Steven J Czyn
(74) *Attorney, Agent, or Firm* — Ward and Smith, P.A.;
Ryan K. Simmons

(57) **CLAIM**

The ornamental design for a hinged case, as shown and described.

DESCRIPTION

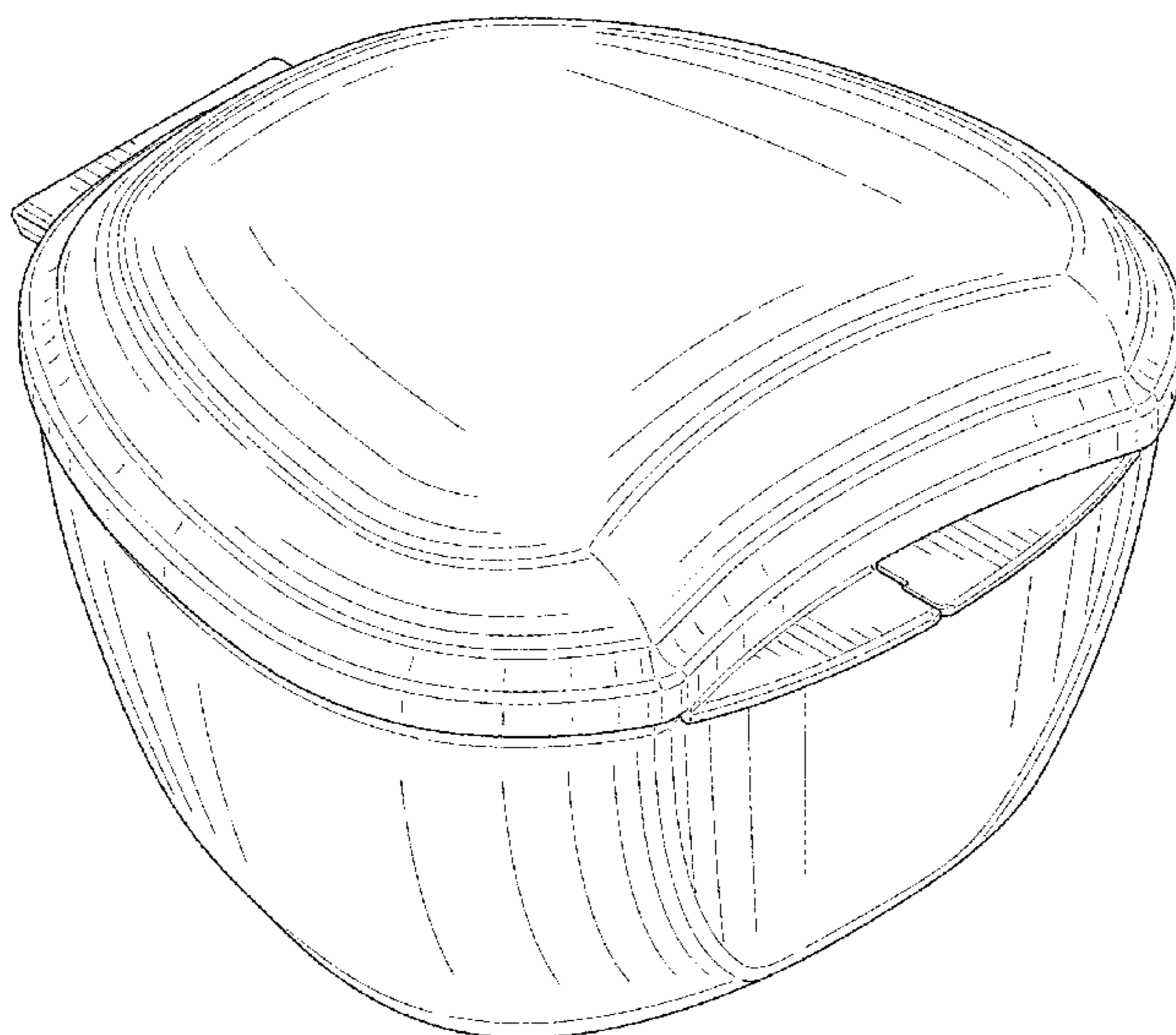
FIG. 1 is a perspective view of a hinged case showing a new design;
 FIG. 2 is a top plane view thereof;
 FIG. 3 is bottom plane view thereof;
 FIG. 4 is a left side elevation view thereof, the right side being a mirror image;
 FIG. 5 is a front elevation view thereof;
 FIG. 6 is a rear elevation view thereof;
 FIG. 7 is another perspective view of the hinged case of FIG. 1 shown in an open configuration;
 FIG. 8 is a top plane view thereof;
 FIG. 9 is bottom plane view thereof;
 FIG. 10 is a left side elevation view thereof, the right side being a mirror image;
 FIG. 11 is a front elevation view thereof;
 FIG. 12 is a rear elevation view thereof;
 FIG. 13 is another perspective view of the hinged case of FIG. 7 shown with an example basket positioned therein for environmental purposes; and,
 FIG. 14 is another perspective view of the hinged case of FIG. 7 shown with an example basket and denture positioned therein for environmental purposes.
 In the Figures, the broken lines are for the purpose of illustrating environment and form no part of the claimed design.

(56) **References Cited**

U.S. PATENT DOCUMENTS

- D257,790 S * 1/1981 Kesling D24/227
- D286,137 S * 10/1986 Huck D3/203.3
- D307,388 S * 4/1990 Newell D3/203.2
- 4,966,319 A * 10/1990 Fleming A45C 11/00
206/459.5
- D322,031 S * 12/1991 Fleming D3/294
- D353,744 S * 12/1994 Ferris D7/629
- D427,425 S * 7/2000 Stahl D3/203.1
- D427,686 S * 7/2000 Butler D3/203.1
- D443,981 S * 6/2001 DiVincenzo D3/205
- D463,101 S * 9/2002 Gardner D3/203.2

1 Claim, 13 Drawing Sheets



(56)

References Cited

U.S. PATENT DOCUMENTS

D506,611 S * 6/2005 Hiller D3/281
D540,038 S * 4/2007 Hussaini D3/201
7,201,271 B1 * 4/2007 Saad A45C 11/00
132/315
D570,098 S * 6/2008 Luzon D3/205
D585,639 S * 2/2009 Taninbaum D3/204
D620,257 S * 7/2010 Fujimura D3/294
D655,079 S * 3/2012 Patenaude D3/203.1
D697,302 S * 1/2014 Pourcho D3/203.1
D708,850 S * 7/2014 Morine D3/294
D716,951 S * 11/2014 Farrell D24/176

* cited by examiner

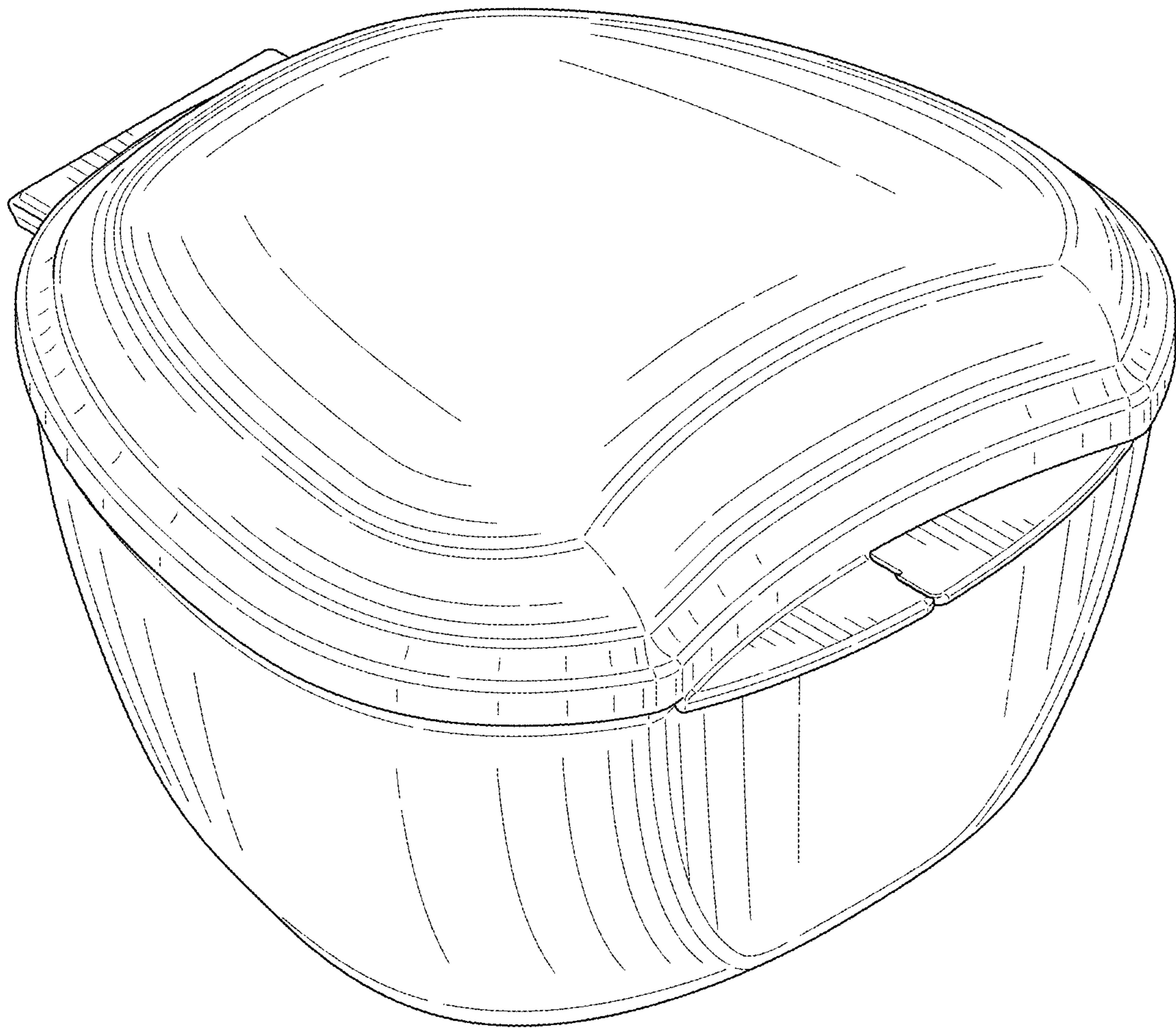


FIG. 1

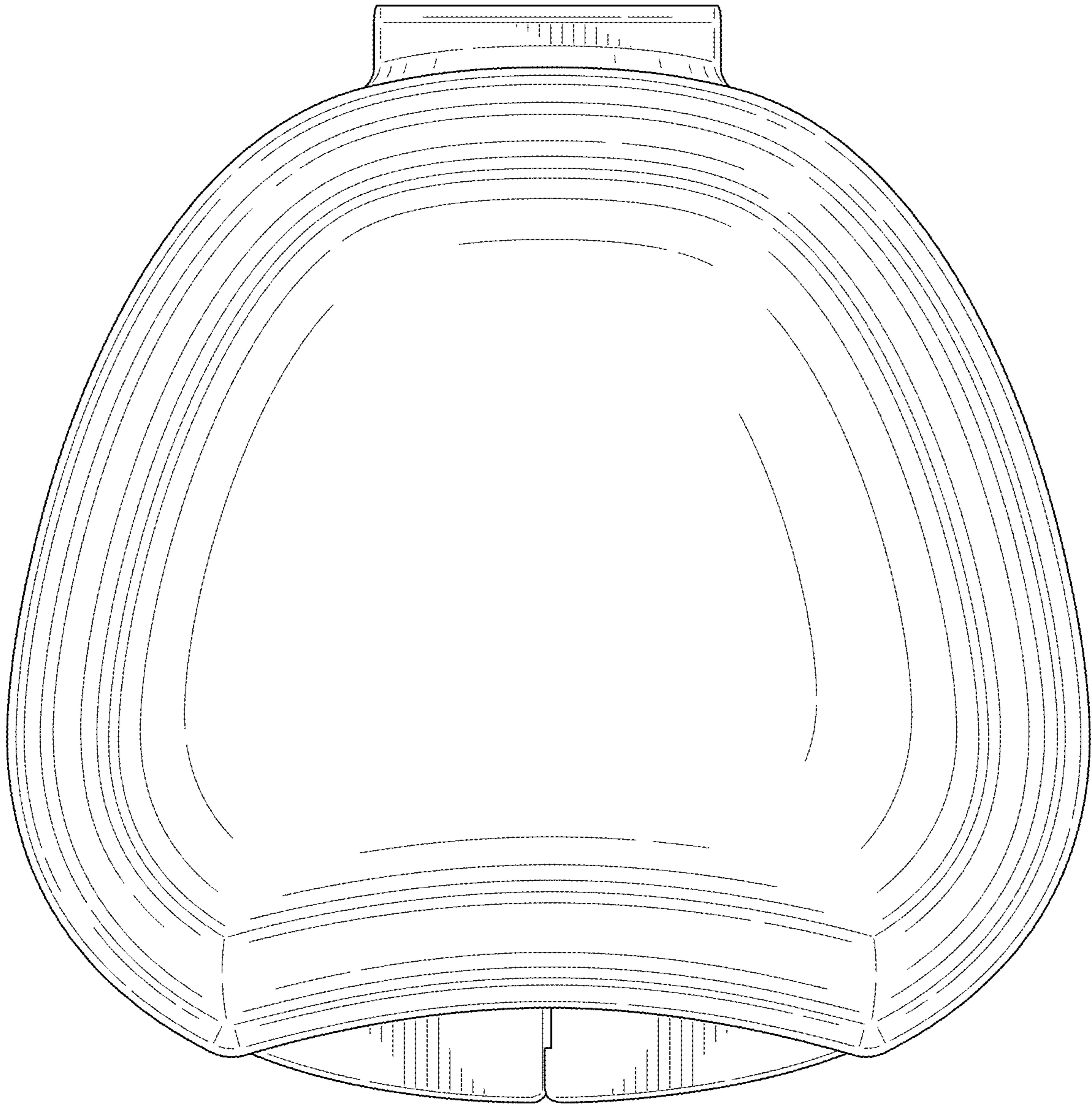


FIG. 2

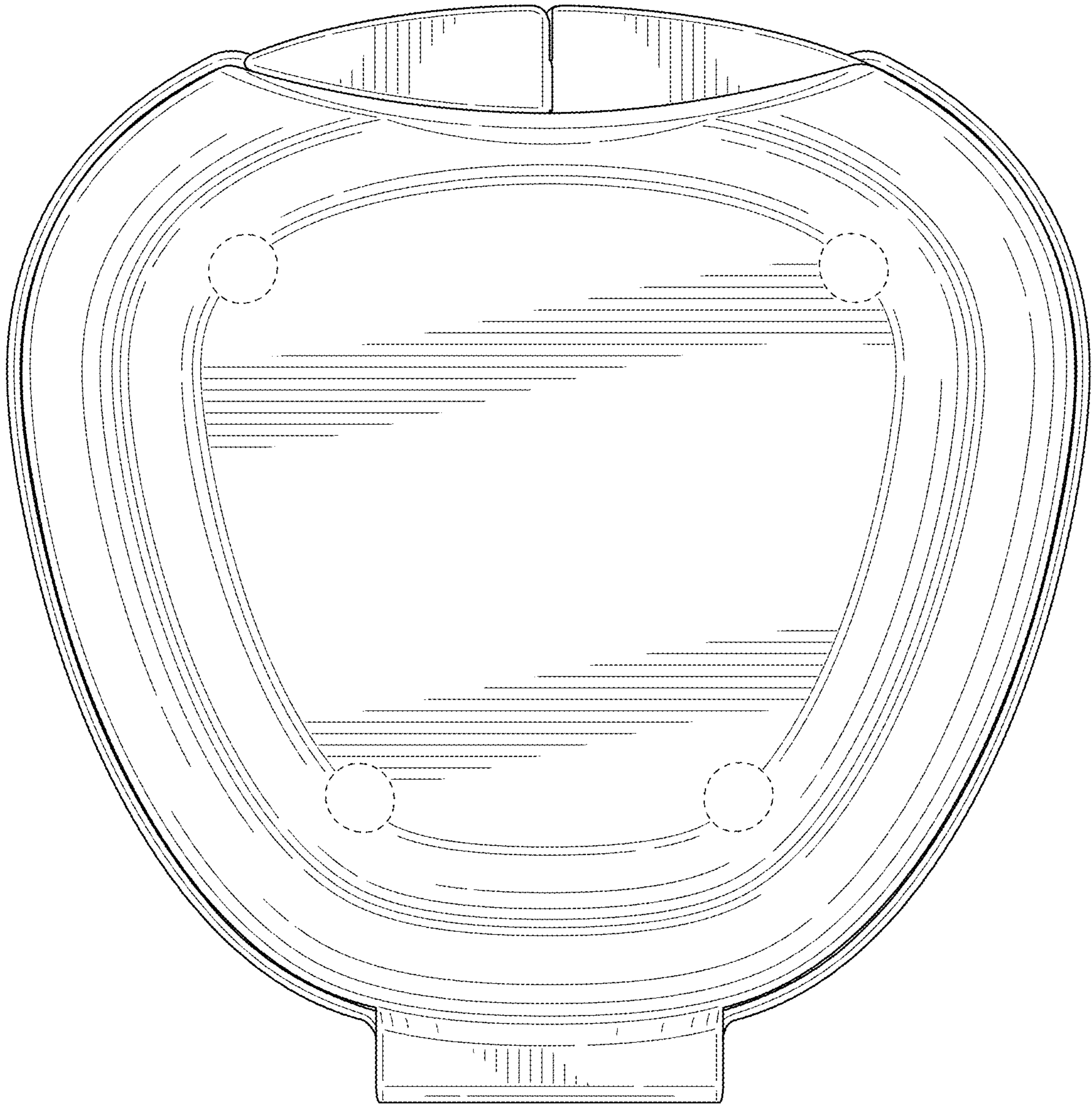


FIG. 3

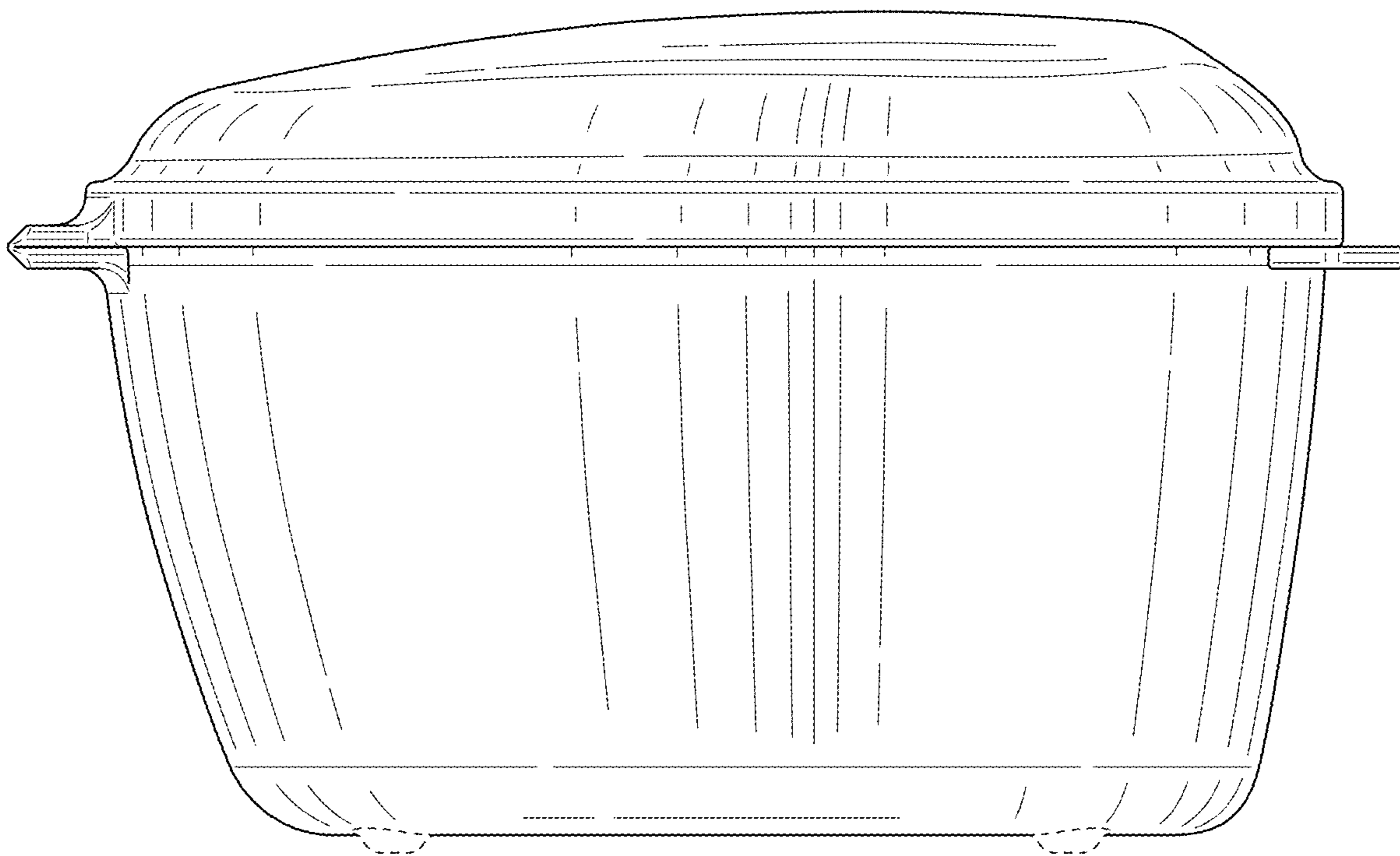


FIG. 4

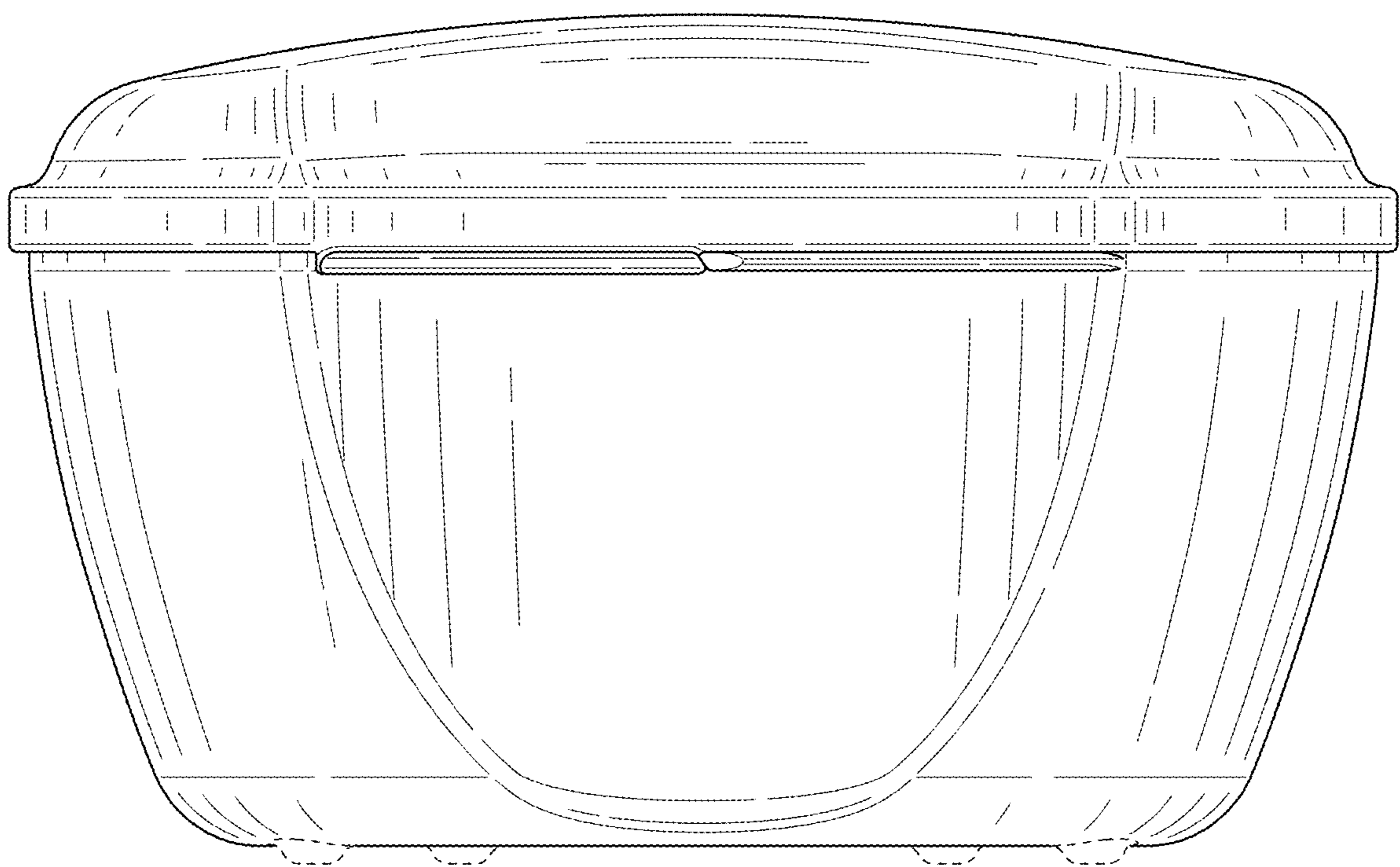


FIG. 5

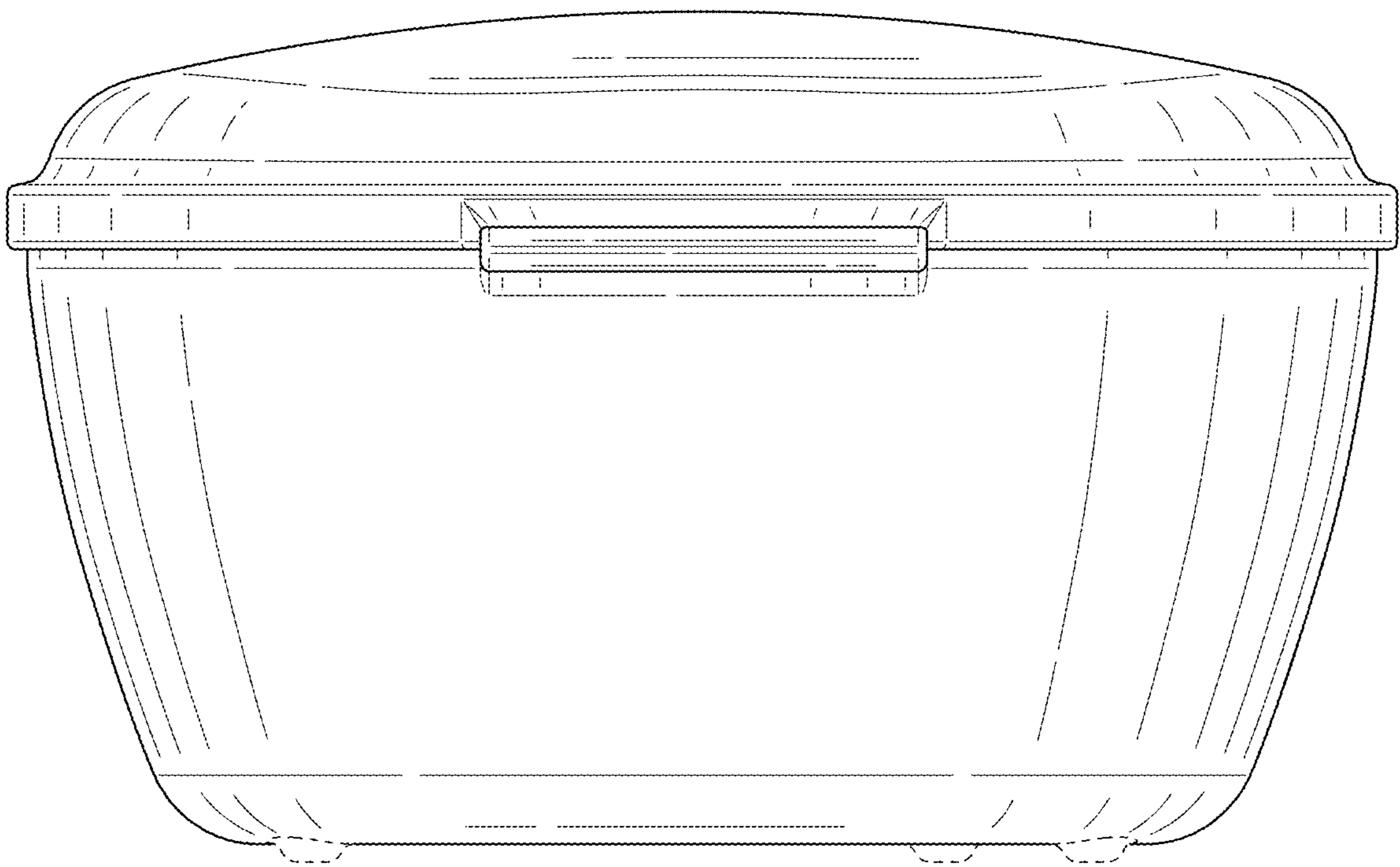


FIG. 6

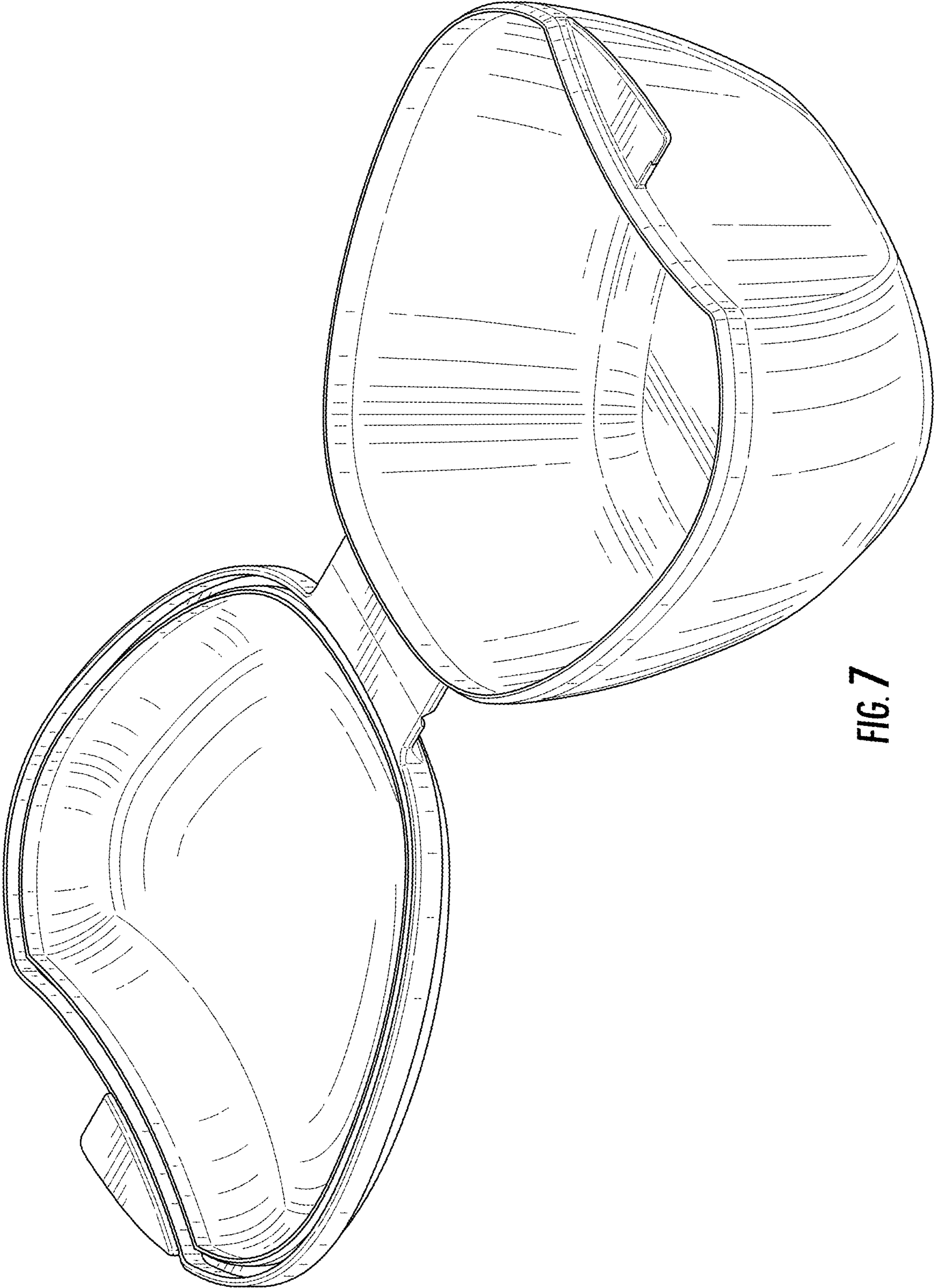


FIG. 7

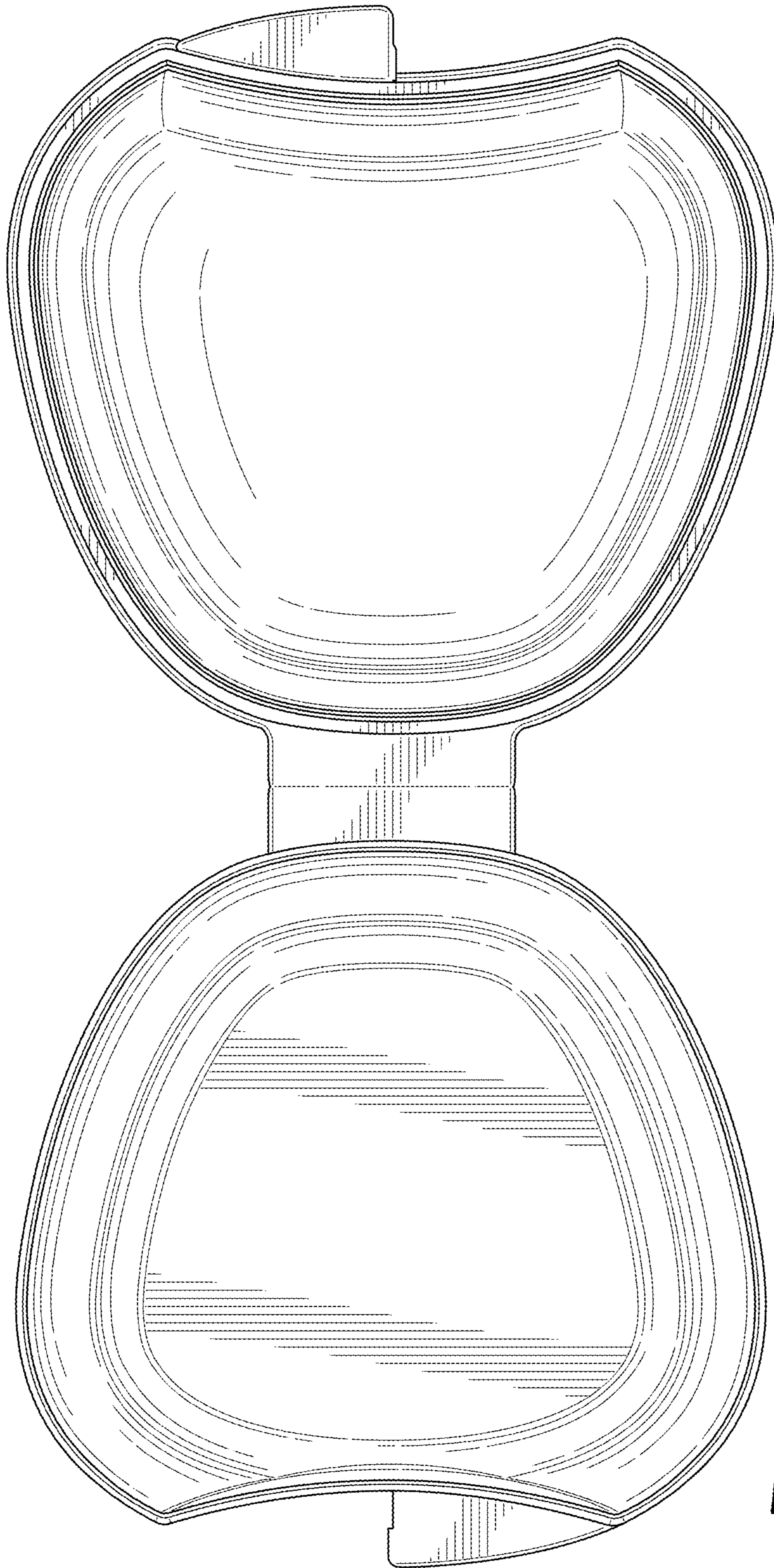


FIG. 8

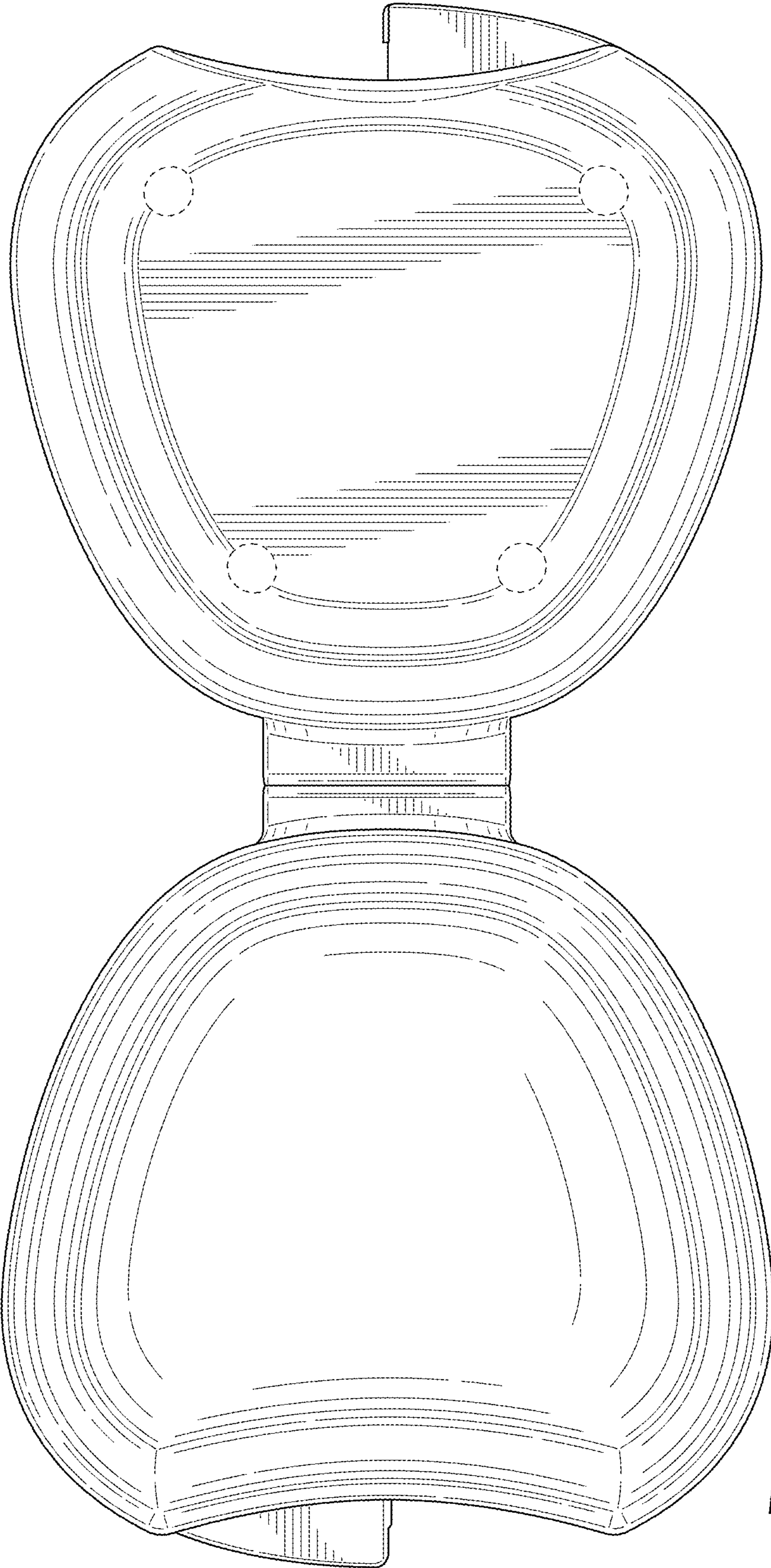


FIG. 9

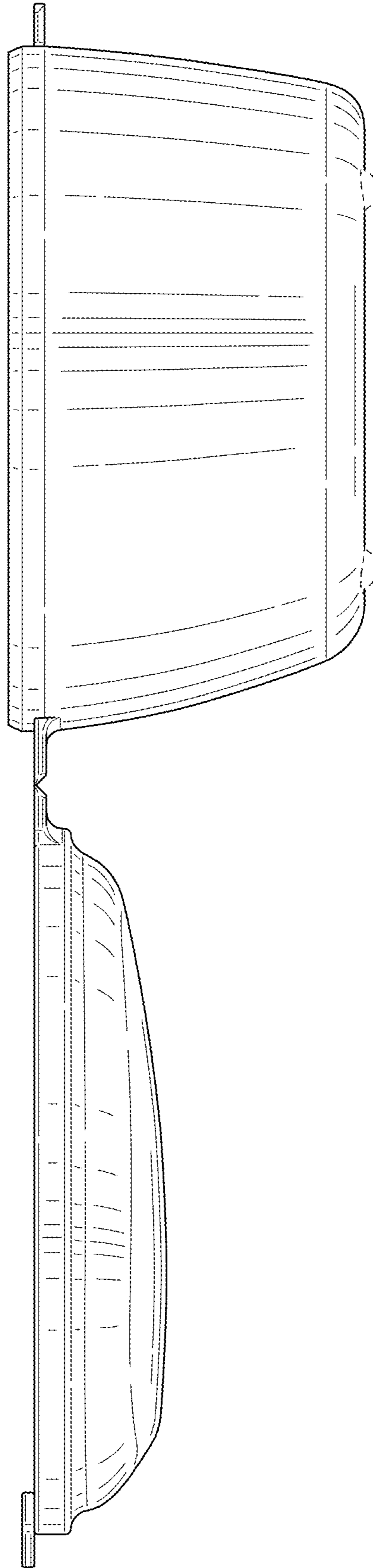


FIG. 10

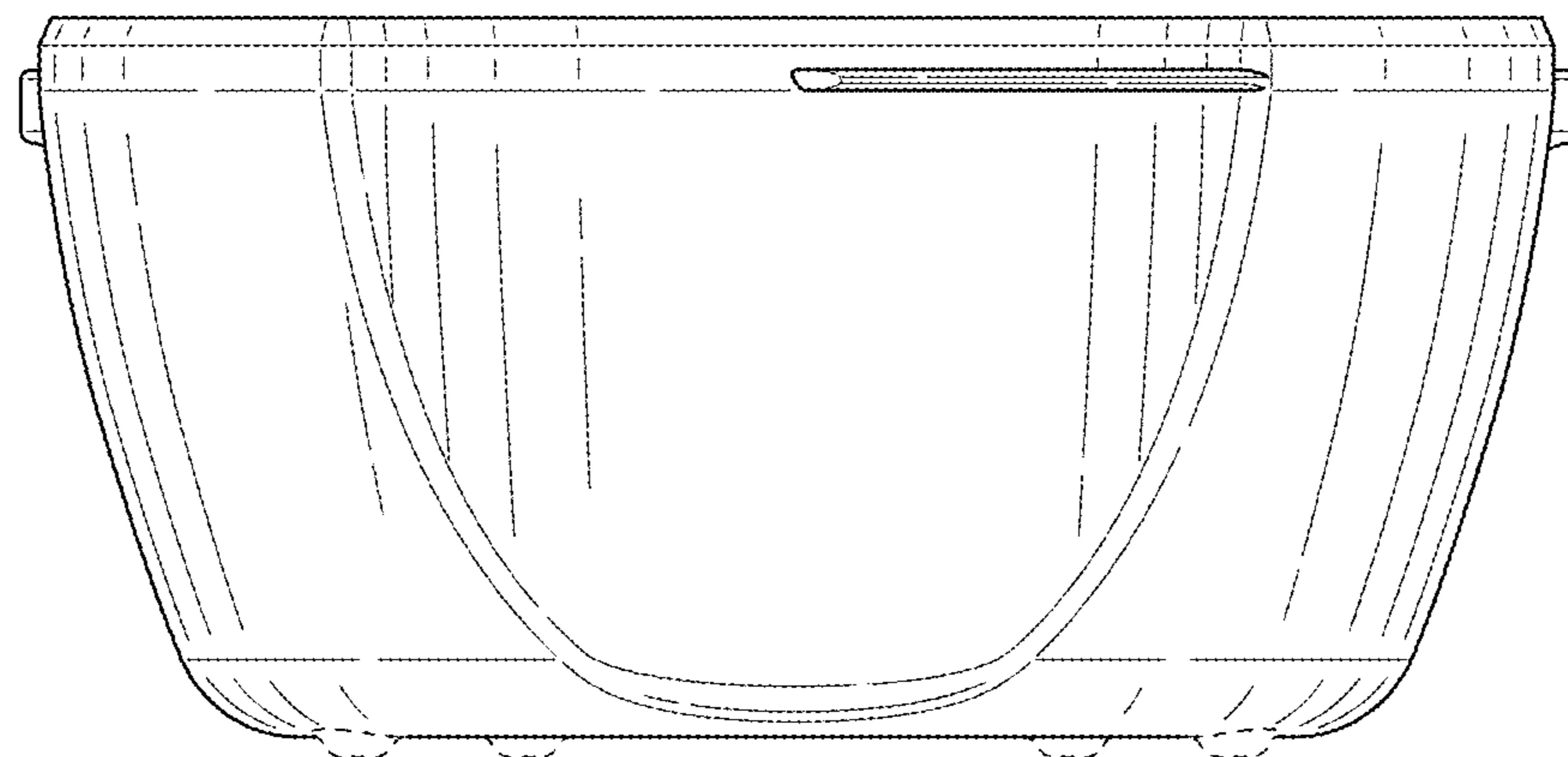


FIG. 11

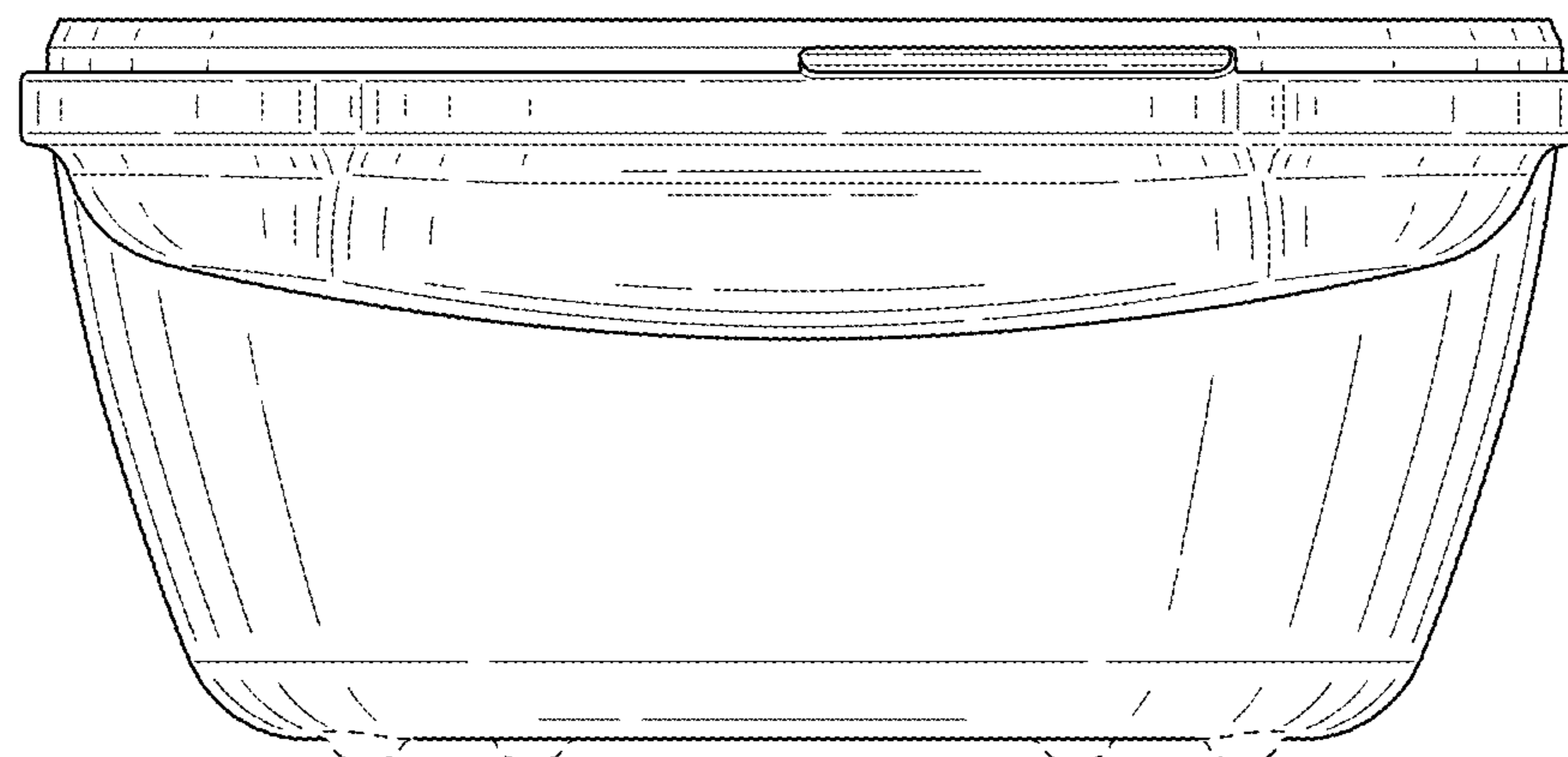


FIG. 12

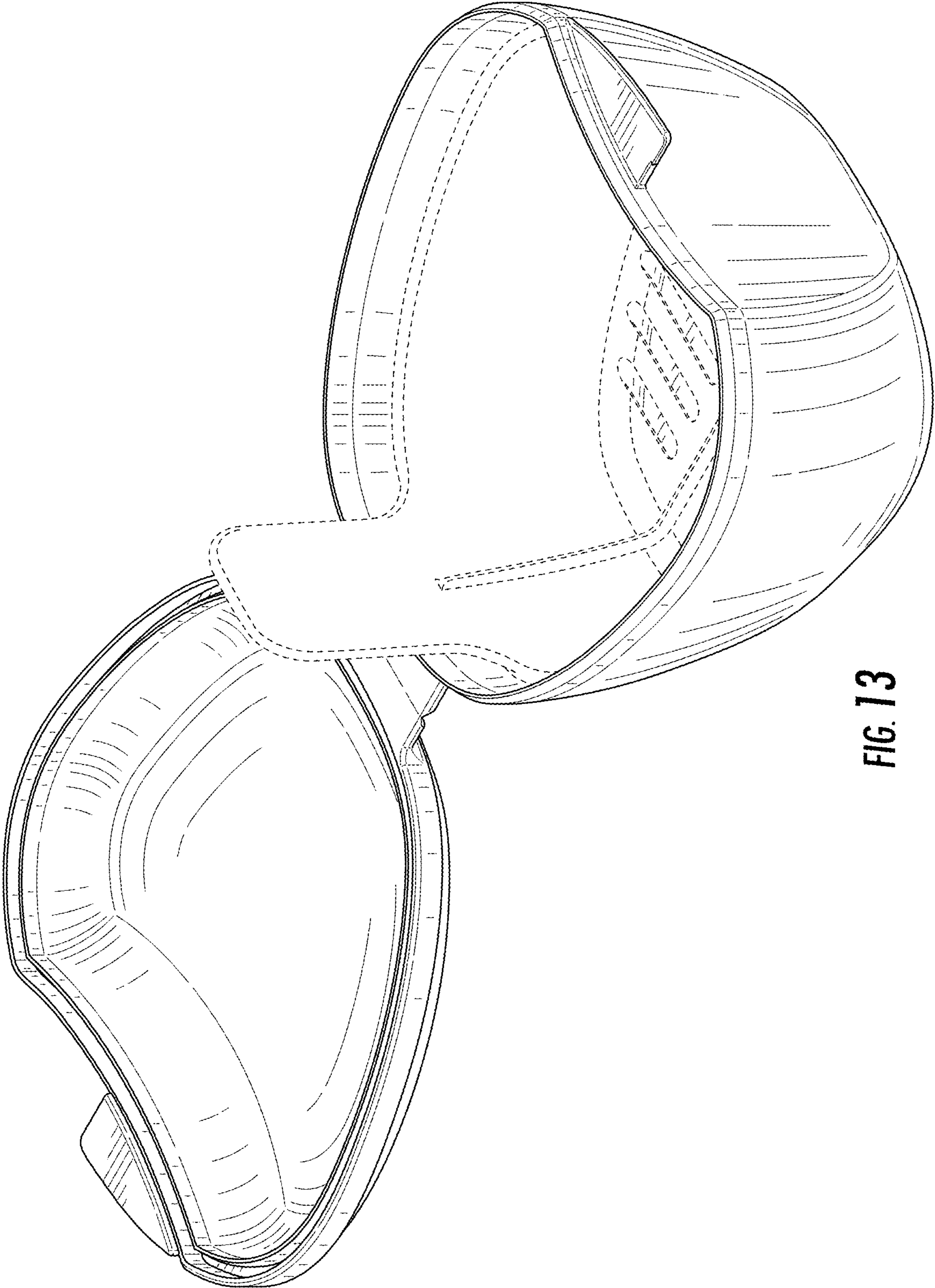


FIG. 13

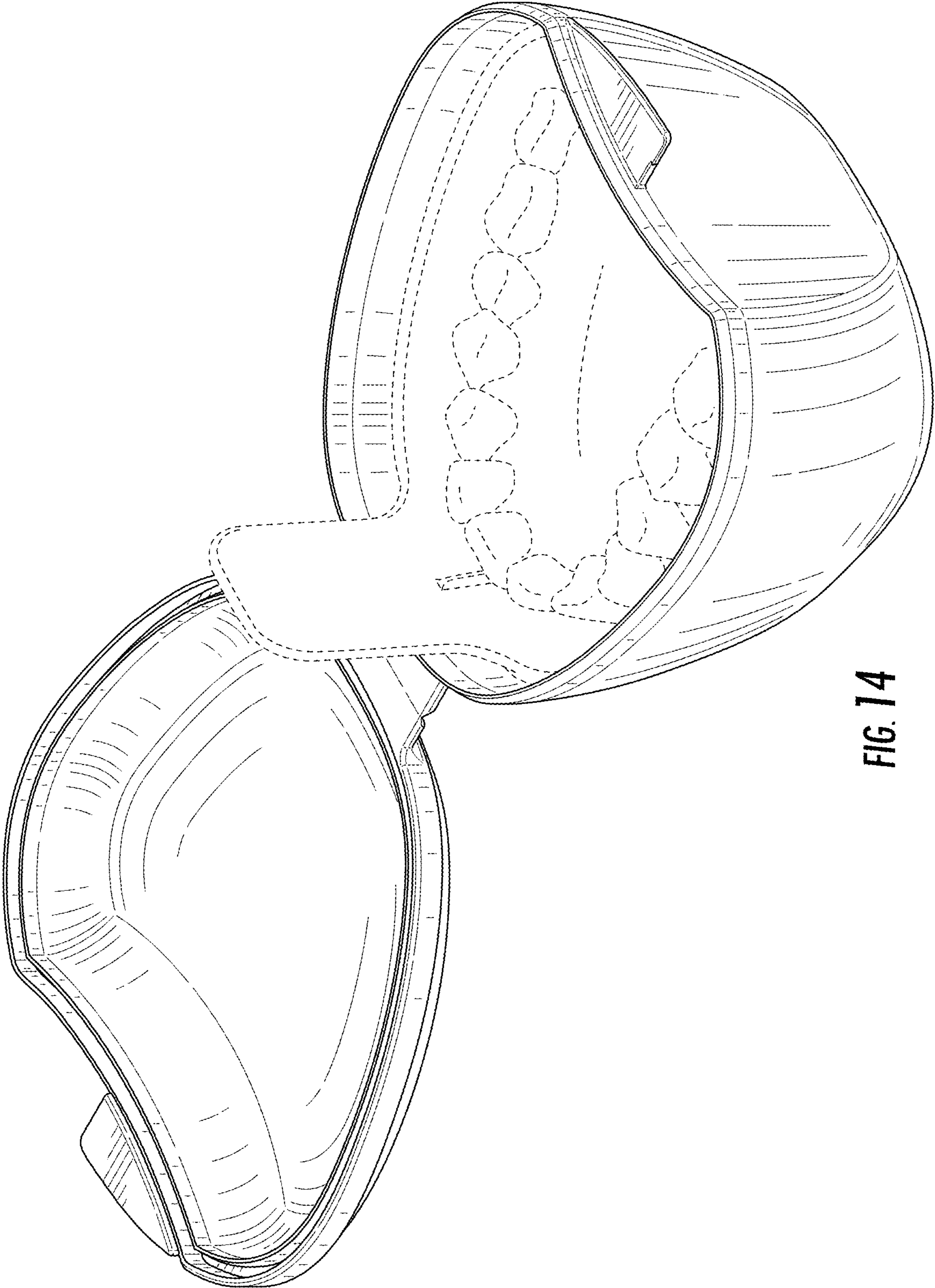


FIG. 14