



US00D876817S

(12) **United States Design Patent** (10) **Patent No.:** **US D876,817 S**
Dwire (45) **Date of Patent:** **** Mar. 3, 2020**

(54) **MEDICATION CASE**

(71) Applicant: **Kaeli Dwire**, Johns Island, SC (US)

(72) Inventor: **Kaeli Dwire**, Johns Island, SC (US)

(**) Term: **15 Years**

(21) Appl. No.: **29/574,172**

(22) Filed: **Aug. 12, 2016**

(51) **LOC (12) Cl.** **03-01**

(52) **U.S. Cl.**
USPC **D3/203.1**

(58) **Field of Classification Search**
USPC D3/201, 203.1, 203.2, 203.3, 208, 212,
D3/215, 273; D9/739, 504, 529, 420,
D9/428; D19/121, 122, 170
CPC B65D 1/09; B65D 1/16; B65D 2585/56;
B65D 83/04; A61J 1/00; A61J 1/03; A61J
1/06

See application file for complete search history.

(56) **References Cited**

U.S. PATENT DOCUMENTS

D137,496 S *	3/1944	Lustig	206/537
D255,218 S *	6/1980	Krag	D3/203.2
D263,622 S *	3/1982	Hasson	D19/922
D276,571 S *	12/1984	Fairchild	224/240
D311,774 S *	10/1990	Lax	D24/224
D341,227 S *	11/1993	Lang	D28/76
D361,507 S *	8/1995	Langemann	D3/201
D390,697 S *	2/1998	Lyons	D3/201
D426,378 S *	6/2000	Cohen	D3/215
D433,562 S *	11/2000	Redlinger	D3/208
D448,153 S *	9/2001	Schoenfeld	D3/201
D498,584 S *	11/2004	DiMarchi	D3/203.2
D509,054 S *	9/2005	Shennib	D3/203.1
D509,352 S *	9/2005	Raven	D24/121
D524,037 S *	7/2006	Van Horn	D3/203.1
D561,461 S *	2/2008	Smetham	D3/203.1

D597,736 S *	8/2009	Ben-Sasson	D3/215
D598,738 S *	8/2009	Supranowicz	D9/420
D602,247 S *	10/2009	Oas	D3/208
D630,010 S *	1/2011	Brown	D3/208
D658,362 S *	5/2012	Nassiri	D3/203.2
D691,365 S *	10/2013	Cote	D3/203.2
D740,085 S *	10/2015	Baughman	D7/700
D749,420 S *	2/2016	Kahlau	D9/420
D751,921 S *	3/2016	Lam	D9/504
D760,489 S *	7/2016	De La Torre	D3/203.1
D760,490 S *	7/2016	Johnson	D24/224
D806,568 S *	1/2018	Chen	D9/719

* cited by examiner

Primary Examiner — Steven J Czyz

(74) *Attorney, Agent, or Firm* — Gregory Finch; Finch Paolino, LLC

(57) **CLAIM**

The ornamental design for a medication case, as shown and described.

DESCRIPTION

FIG. 1 is an isometric view of a medication case, showing my new design;

FIG. 2 is an isometric view thereof showing the cap in an open configuration exposing the enclosed pill holder in a closed configuration;

FIG. 3 is an isometric view thereof showing the cap in an open configuration exposing the enclosed pill holder in an open configuration;

FIG. 4 is a rear view thereof;

FIG. 5 is a front view thereof;

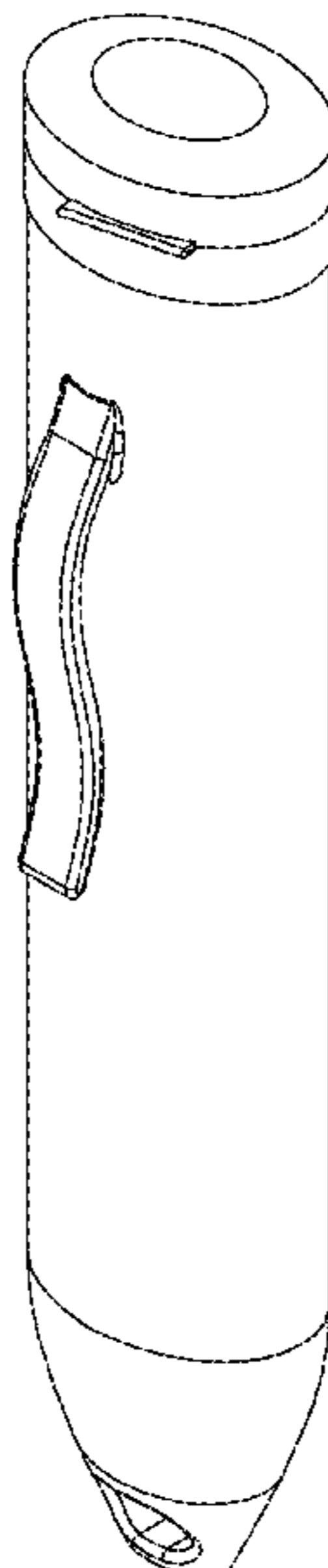
FIG. 6 is a left side view thereof;

FIG. 7 is a right side view thereof;

FIG. 8 is a top plan view thereof showing the cap in a closed configuration; and,

FIG. 9 is a bottom plan view thereof showing the cap in a closed configuration.

1 Claim, 9 Drawing Sheets



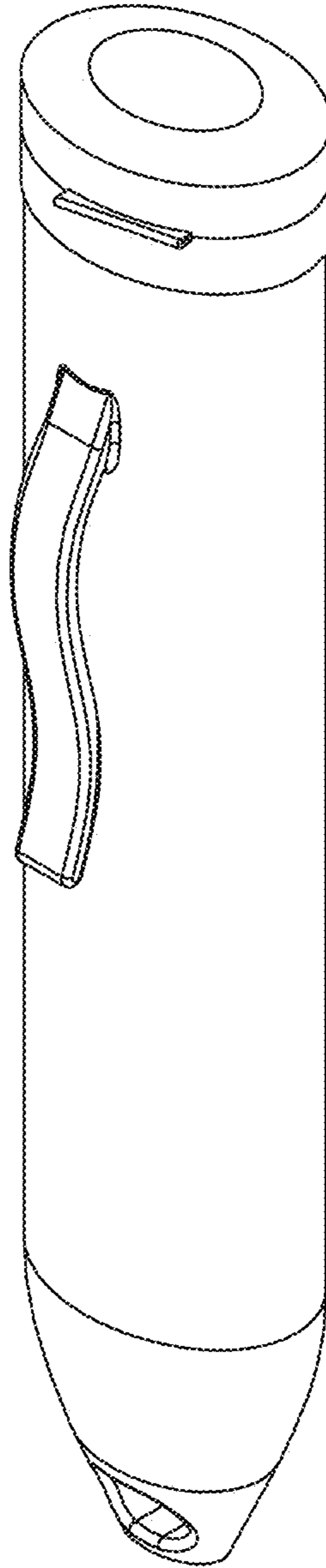


FIG. 1

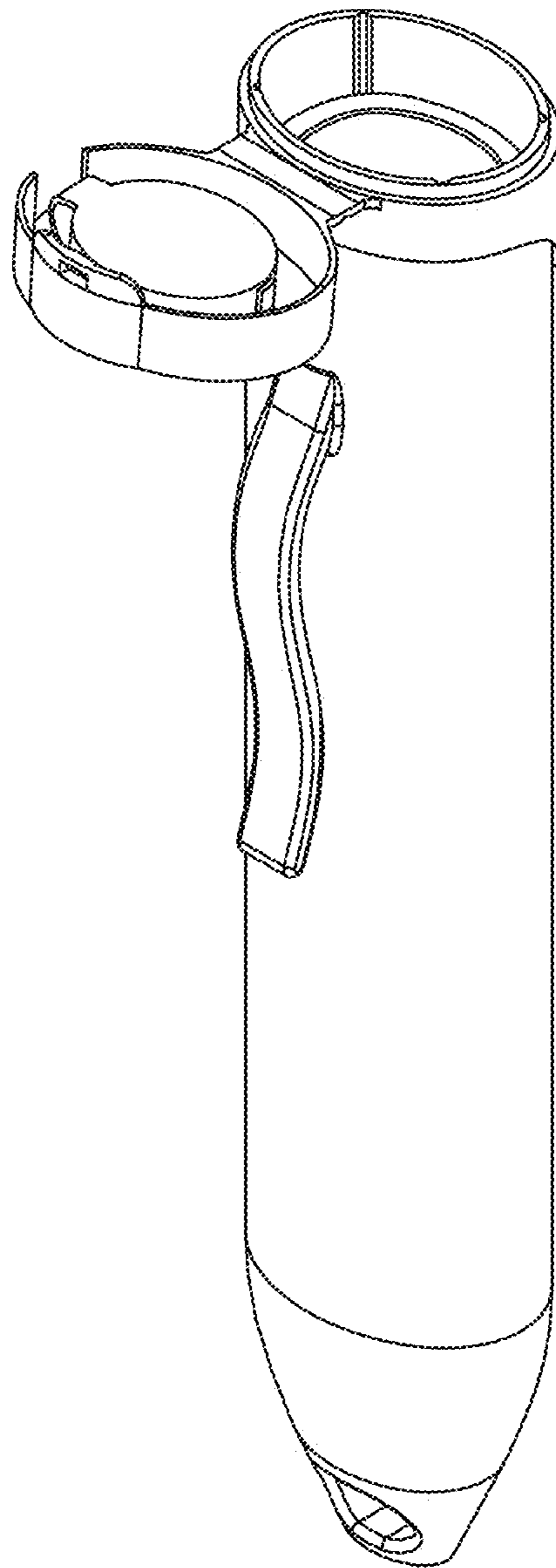


FIG. 2

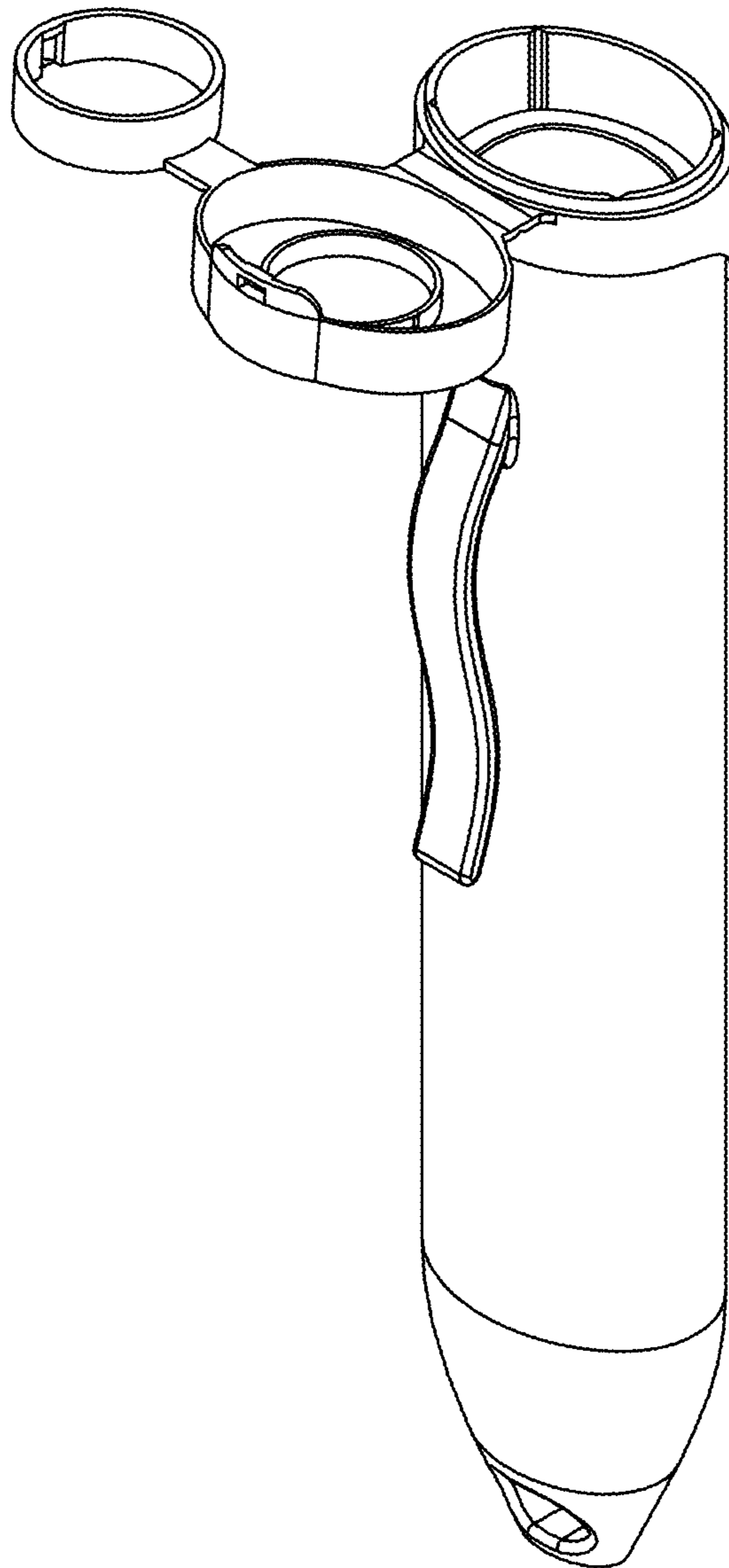


FIG.3

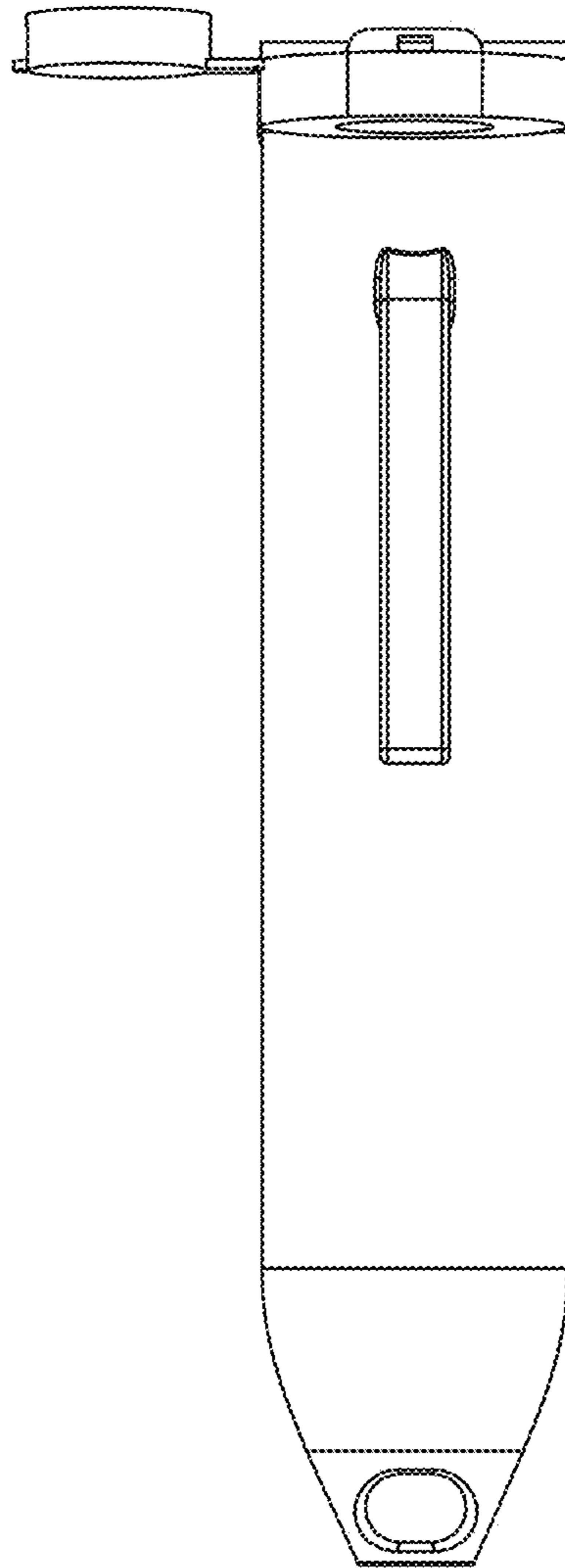


FIG. 4

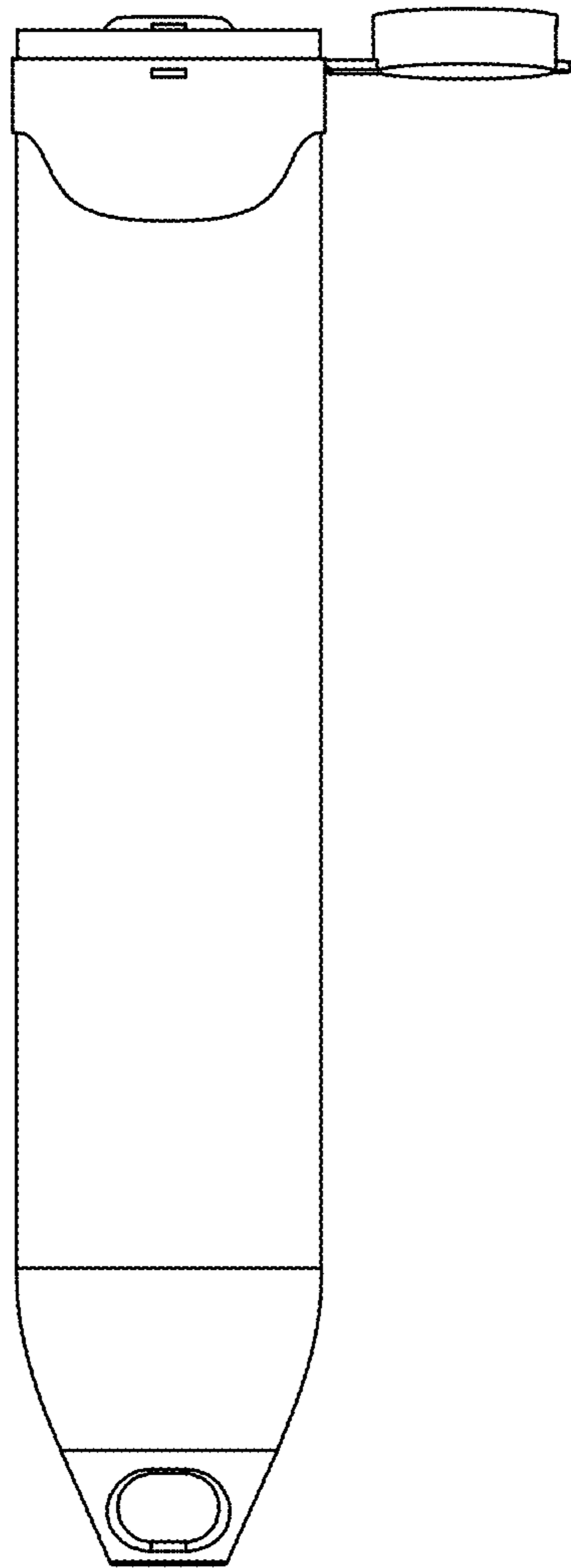


FIG.5

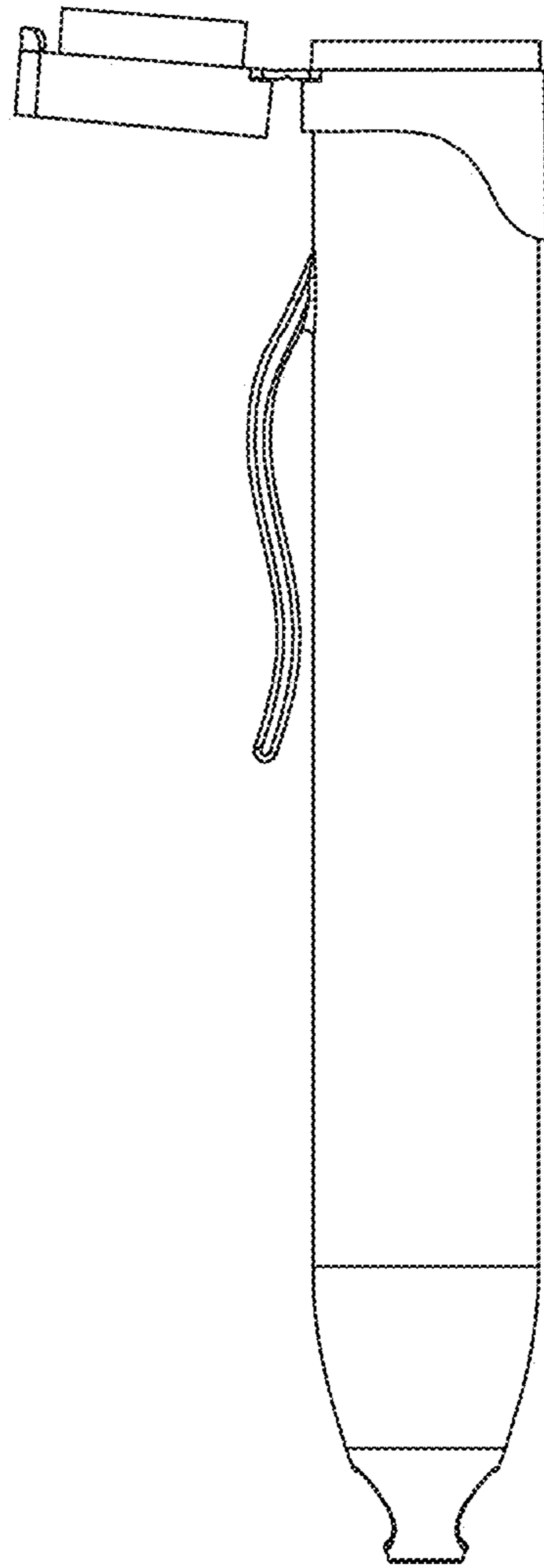


FIG. 6

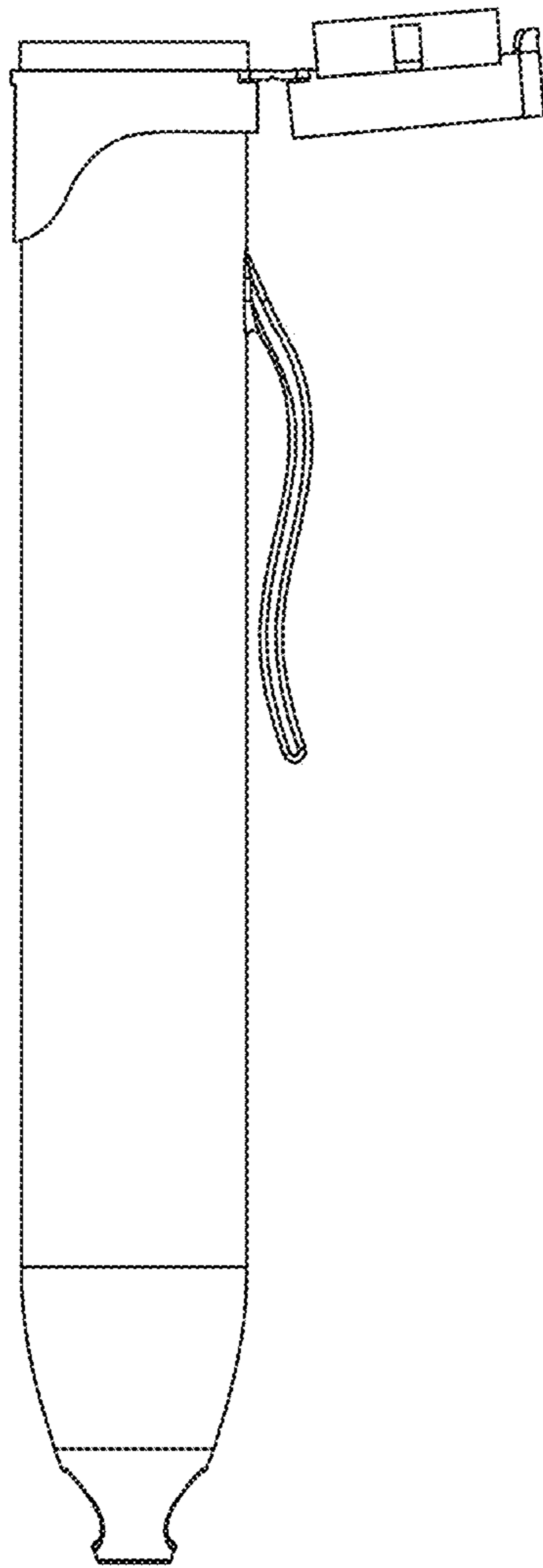


FIG. 7

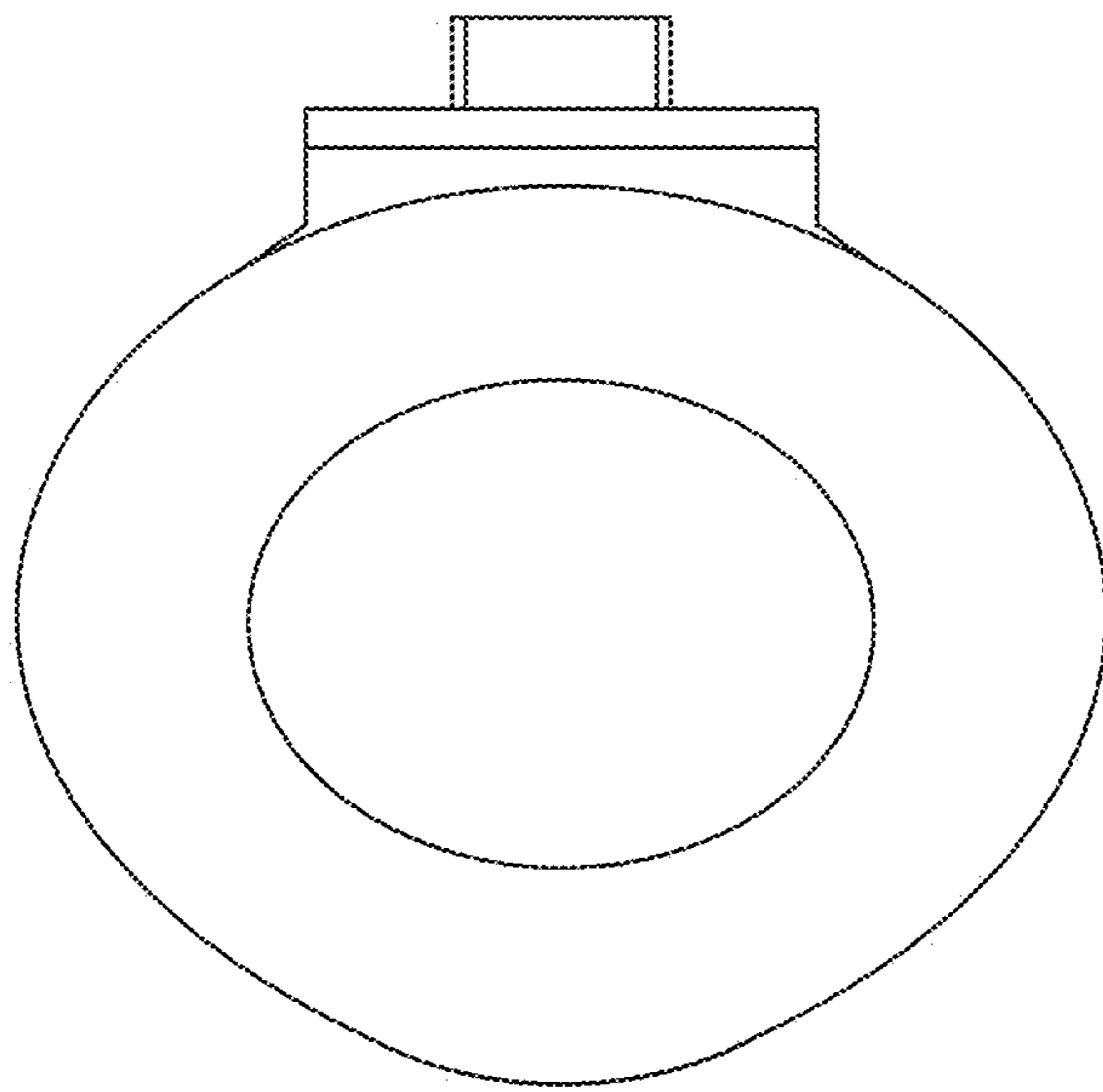


FIG. 8

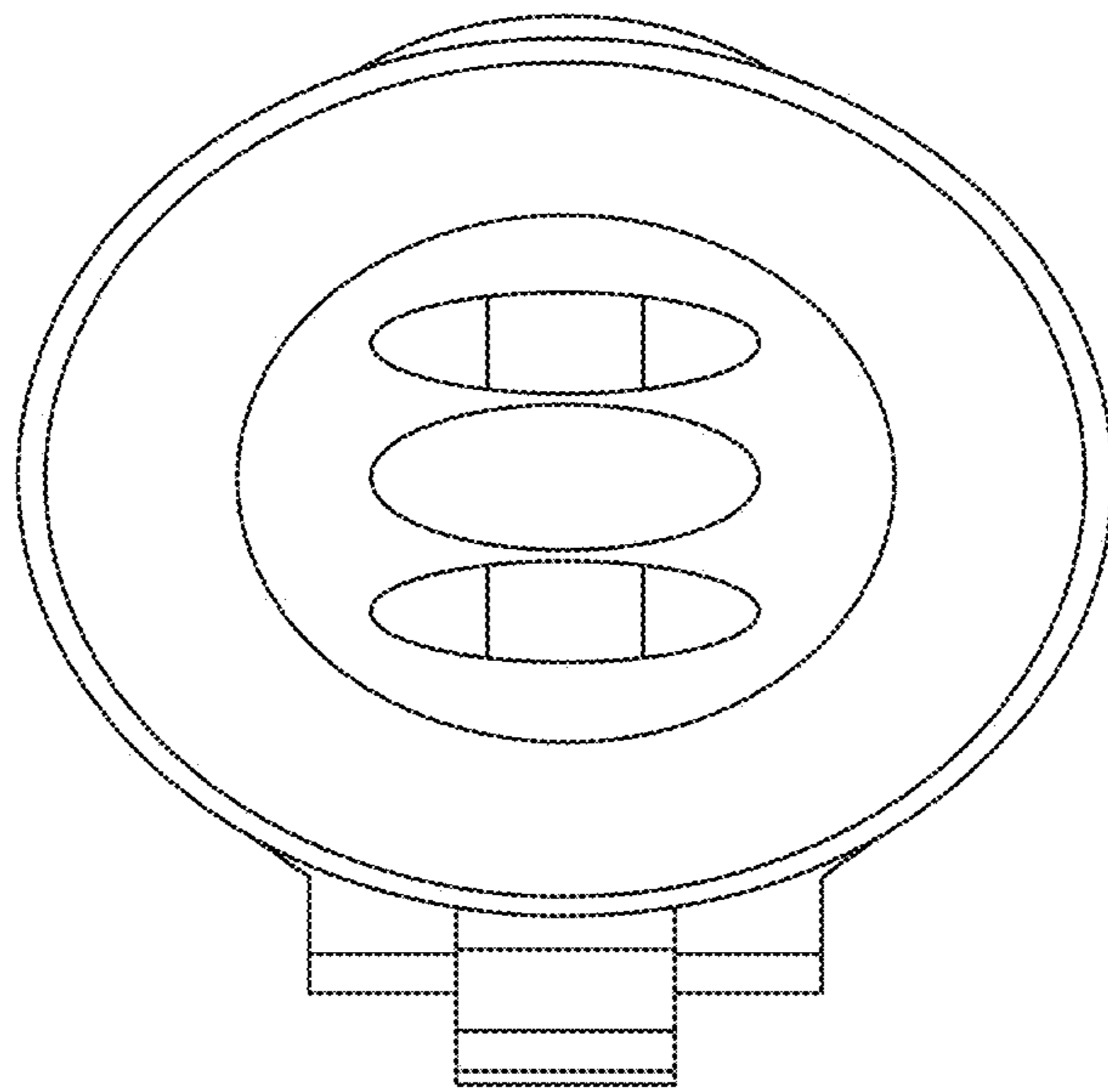


FIG. 9