



US00D876813S

(12) **United States Design Patent**  
**Hu**

(10) **Patent No.:** **US D876,813 S**  
(45) **Date of Patent:** **\*\* Mar. 3, 2020**

- (54) **SEWING THIMBLE**
- (71) Applicant: **Dongdong Hu**, Huzhou (CN)
- (72) Inventor: **Dongdong Hu**, Huzhou (CN)
- (\*\*) Term: **15 Years**
- (21) Appl. No.: **29/689,017**
- (22) Filed: **Apr. 26, 2019**
- (51) **LOC (12) Cl.** ..... **03-01**
- (52) **U.S. Cl.**  
USPC ..... **D3/29**
- (58) **Field of Classification Search**  
USPC ..... D3/18, 29  
CPC ..... D05B 91/04; A41D 13/087; A61F 13/105  
See application file for complete search history.

(56) **References Cited**

U.S. PATENT DOCUMENTS

- 1,273,256 A \* 7/1918 Manning et al. .... A41D 13/087  
2/21
- 1,380,960 A \* 6/1921 Hmenia ..... A41D 13/087  
223/101
- 1,563,954 A \* 12/1925 Barton ..... D05B 91/04  
223/101
- 2,207,672 A \* 7/1940 Levey ..... D05B 91/04  
223/101
- 2,493,698 A \* 1/1950 Schwartz ..... G10D 3/00  
84/319
- 2,528,976 A \* 11/1950 Schiavone ..... D05B 91/04  
223/101
- 2,588,528 A \* 3/1952 Howser ..... D05B 91/04  
223/101
- 2,589,499 A \* 3/1952 Varnall ..... D05B 91/04  
223/101
- 2,610,776 A \* 9/1952 Smith ..... D05B 91/04  
223/101
- 2,704,889 A \* 3/1955 Delinanos ..... D05B 91/04  
30/298

- 2,740,121 A \* 4/1956 Seidel ..... A41D 13/087  
2/21
- 2,953,286 A \* 9/1960 Fowler ..... D05B 91/04  
223/101
- 3,191,824 A \* 6/1965 Burr ..... A41D 13/087  
223/101
- 3,728,736 A \* 4/1973 Pugh ..... A41D 13/087  
2/21
- D228,833 S \* 10/1973 Meyer et al. .... D3/29
- D230,915 S \* 3/1974 Fowler et al. .... D3/29
- 3,967,631 A \* 7/1976 Kosal ..... A45D 29/00  
132/73
- 3,972,325 A \* 8/1976 Bluestone ..... A45D 29/00  
128/846
- D242,189 S \* 11/1976 Fowler ..... D3/29
- D248,598 S \* 7/1978 Bahmer ..... D11/27
- 4,127,222 A \* 11/1978 Adams ..... D05B 91/04  
2/21
- 4,149,661 A \* 4/1979 Curtiss ..... D05B 91/04  
223/101
- 4,239,134 A \* 12/1980 Joy ..... D05B 91/04  
223/101
- D258,174 S \* 2/1981 Shane ..... D3/29

(Continued)

*Primary Examiner* — Steven J Czyz

(74) *Attorney, Agent, or Firm* — Justin Lampel

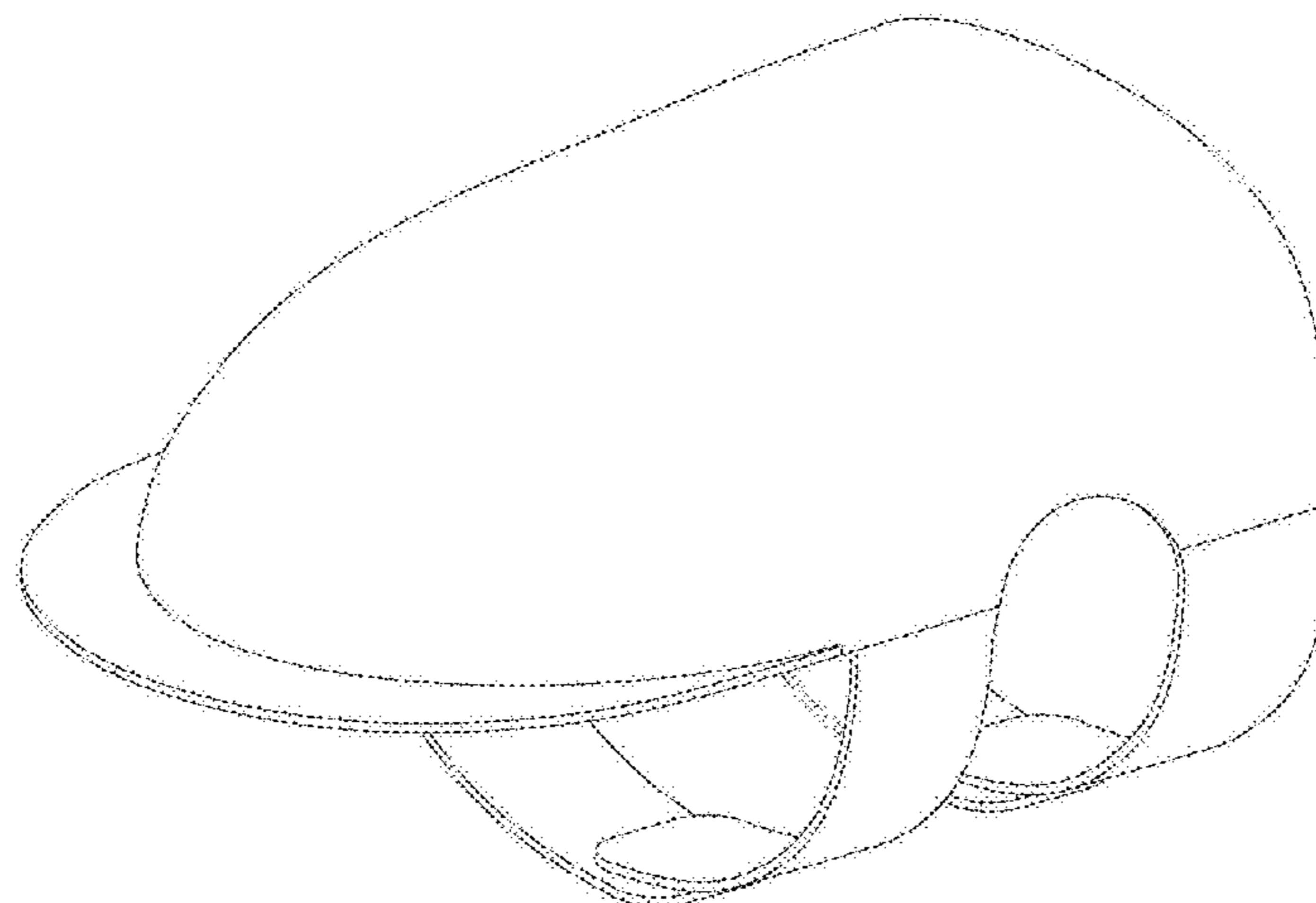
(57) **CLAIM**

The ornamental design for a sewing thimble, as shown and described.

**DESCRIPTION**

FIG. 1 is a perspective view of a sewing thimble showing my new design;  
FIG. 2 is a top plan view thereof;  
FIG. 3 is a rear elevational view thereof;  
FIG. 4 is a bottom plan view thereof;  
FIG. 5 is a right side view thereof;  
FIG. 6 is a front elevational view thereof; and,  
FIG. 7 is a left side view thereof.

**1 Claim, 7 Drawing Sheets**



(56)

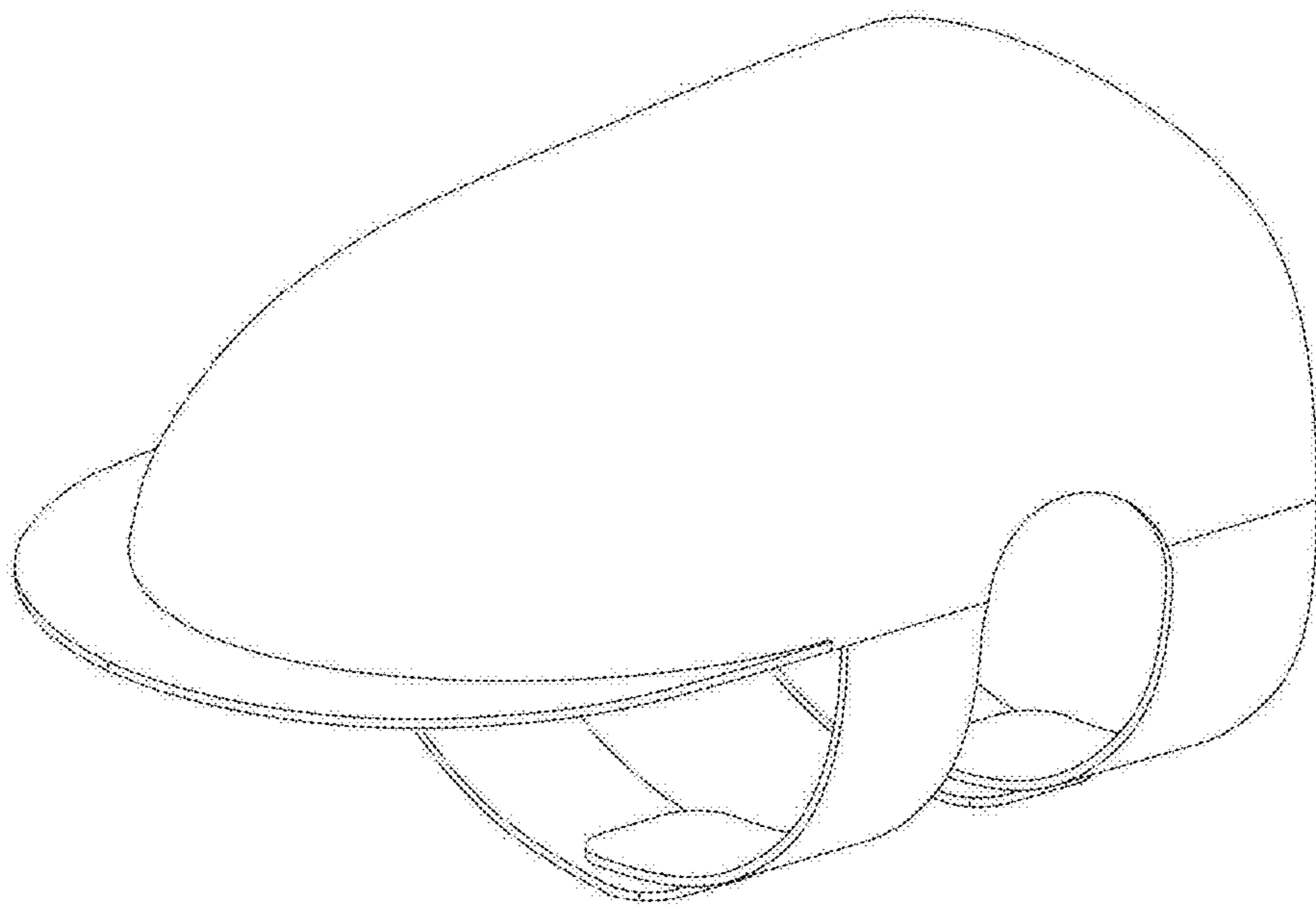
References Cited

U.S. PATENT DOCUMENTS

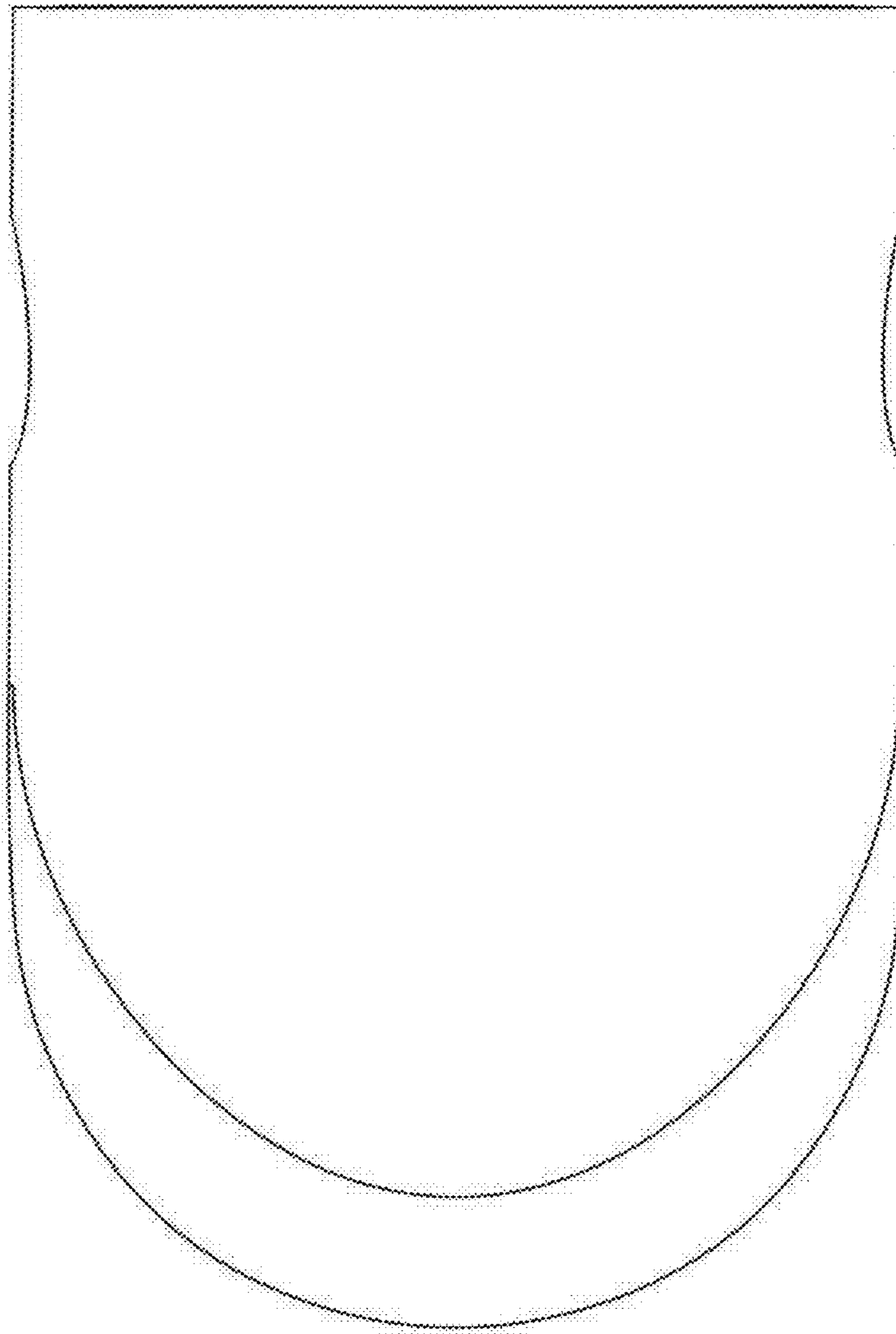
D270,966 S \* 10/1983 Lynn ..... D3/29  
 D277,998 S \* 3/1985 Van Noy ..... 223/101  
 4,821,378 A \* 4/1989 Streit ..... A22C 25/06  
 294/25  
 4,944,437 A \* 7/1990 Calvert ..... A41D 13/087  
 2/21  
 4,955,515 A \* 9/1990 Brull ..... D05B 91/04  
 2/21  
 D324,298 S \* 3/1992 Brull ..... D3/29  
 D394,150 S \* 5/1998 George ..... D3/29  
 5,765,731 A \* 6/1998 Callian ..... D05B 91/04  
 2/21  
 D401,404 S \* 11/1998 Raterink ..... D3/29  
 D409,829 S \* 5/1999 Hanner ..... D3/29  
 5,954,245 A \* 9/1999 Kluesner ..... D05B 91/04  
 2/21  
 6,012,165 A \* 1/2000 Cain ..... A41D 13/087  
 15/236.01  
 D461,283 S \* 8/2002 Sams ..... D29/114  
 6,726,068 B2 \* 4/2004 Miller ..... D05B 91/04  
 223/101  
 7,118,015 B2 \* 10/2006 Newman ..... D05B 91/04  
 223/101  
 D581,101 S \* 11/2008 Drangel ..... D29/114  
 7,591,791 B2 \* 9/2009 Keren ..... A61B 5/157  
 435/287.1

D611,244 S \* 3/2010 Ozeki ..... D3/29  
 D618,243 S \* 6/2010 Chamblin ..... D14/411  
 D621,150 S \* 8/2010 Kuwabara ..... D3/29  
 D653,813 S \* 2/2012 Rogers ..... D29/114  
 D662,500 S \* 6/2012 OQuin ..... D14/411  
 8,516,612 B2 \* 8/2013 Lynn ..... A41D 13/087  
 2/21  
 D695,003 S \* 12/2013 Lee ..... D3/29  
 D695,004 S \* 12/2013 Lee ..... D3/29  
 D696,006 S \* 12/2013 Lee ..... D3/29  
 D701,861 S \* 4/2014 Foster ..... D14/411  
 8,769,714 B2 \* 7/2014 Meltzner ..... A41D 13/087  
 2/21  
 8,844,080 B2 \* 9/2014 Stacy ..... A47J 43/28  
 2/163  
 8,856,963 B2 \* 10/2014 Nagda ..... A41D 13/087  
 2/21  
 D718,311 S \* 11/2014 Burke ..... D14/411  
 D729,397 S \* 5/2015 Reque ..... D24/214  
 D751,554 S \* 3/2016 Eaton ..... D14/411  
 D756,625 S \* 5/2016 Jones ..... D3/29  
 D798,039 S \* 9/2017 Papenfuss ..... D3/29  
 D799,710 S \* 10/2017 Wong ..... D24/190  
 2008/0106521 A1 \* 5/2008 Nave ..... G06F 3/03545  
 345/173  
 2009/0078478 A1 \* 3/2009 Newman ..... G06F 3/03545  
 178/19.01

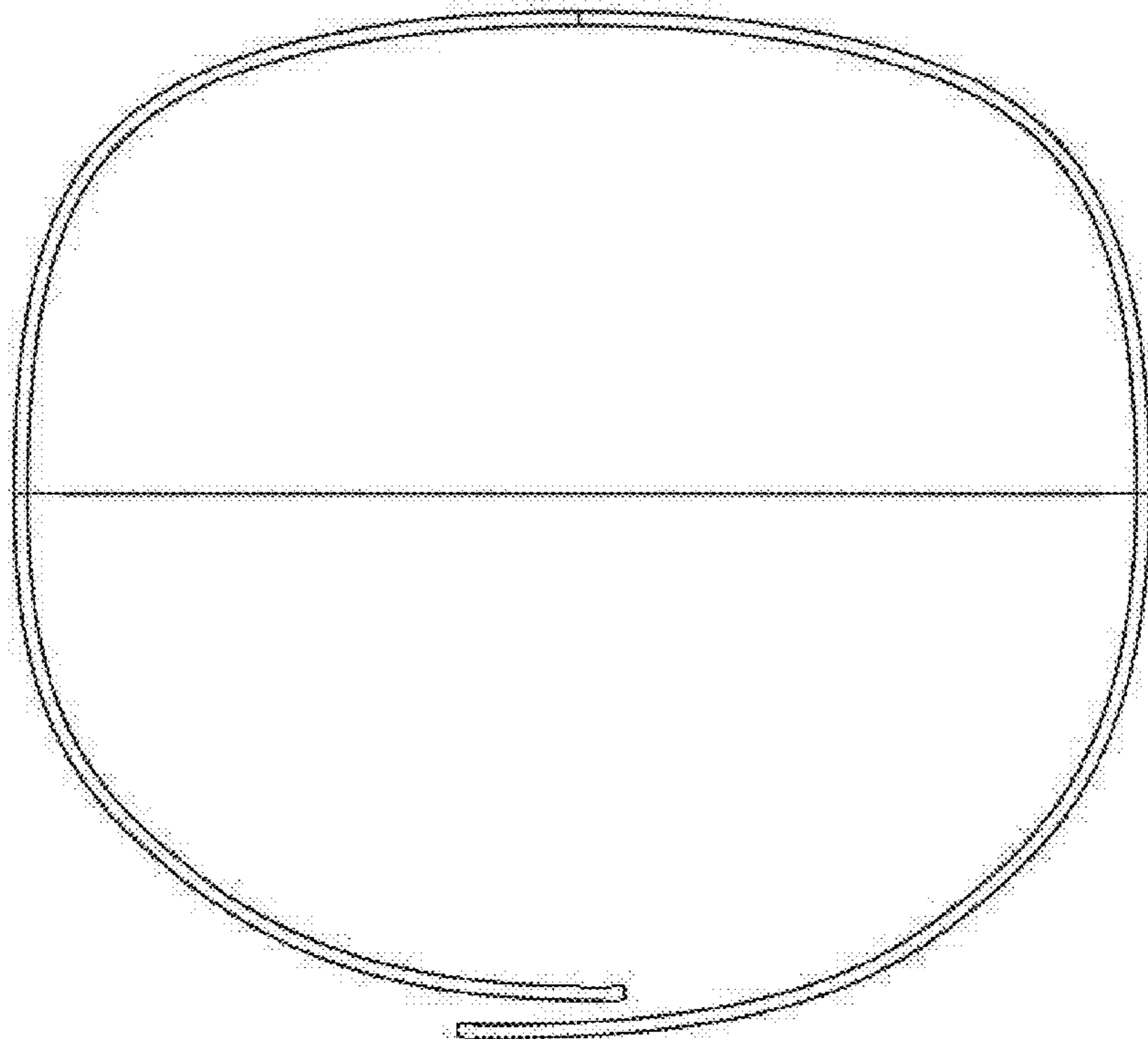
\* cited by examiner



**FIG.1**



**FIG.2**



**FIG.3**

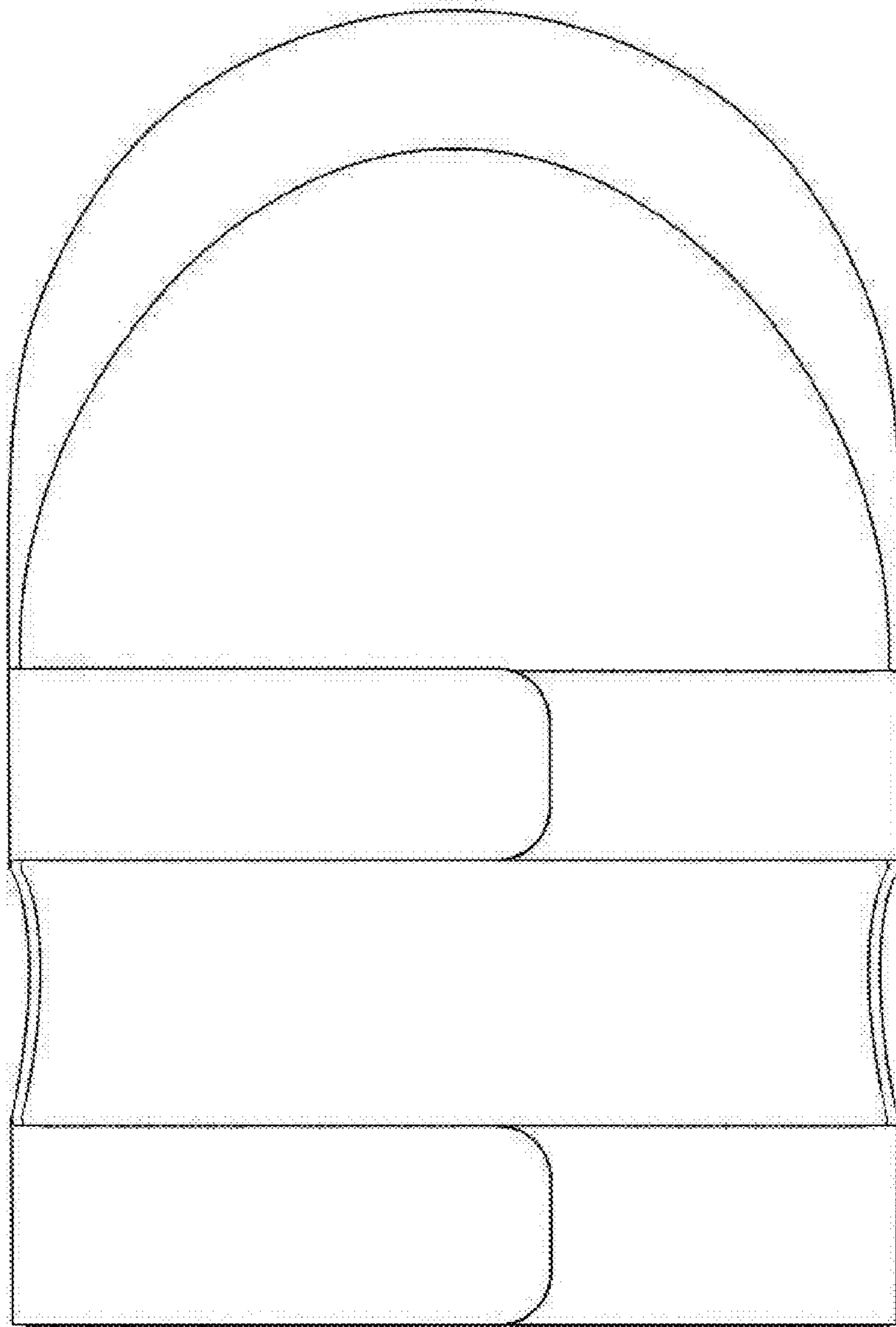
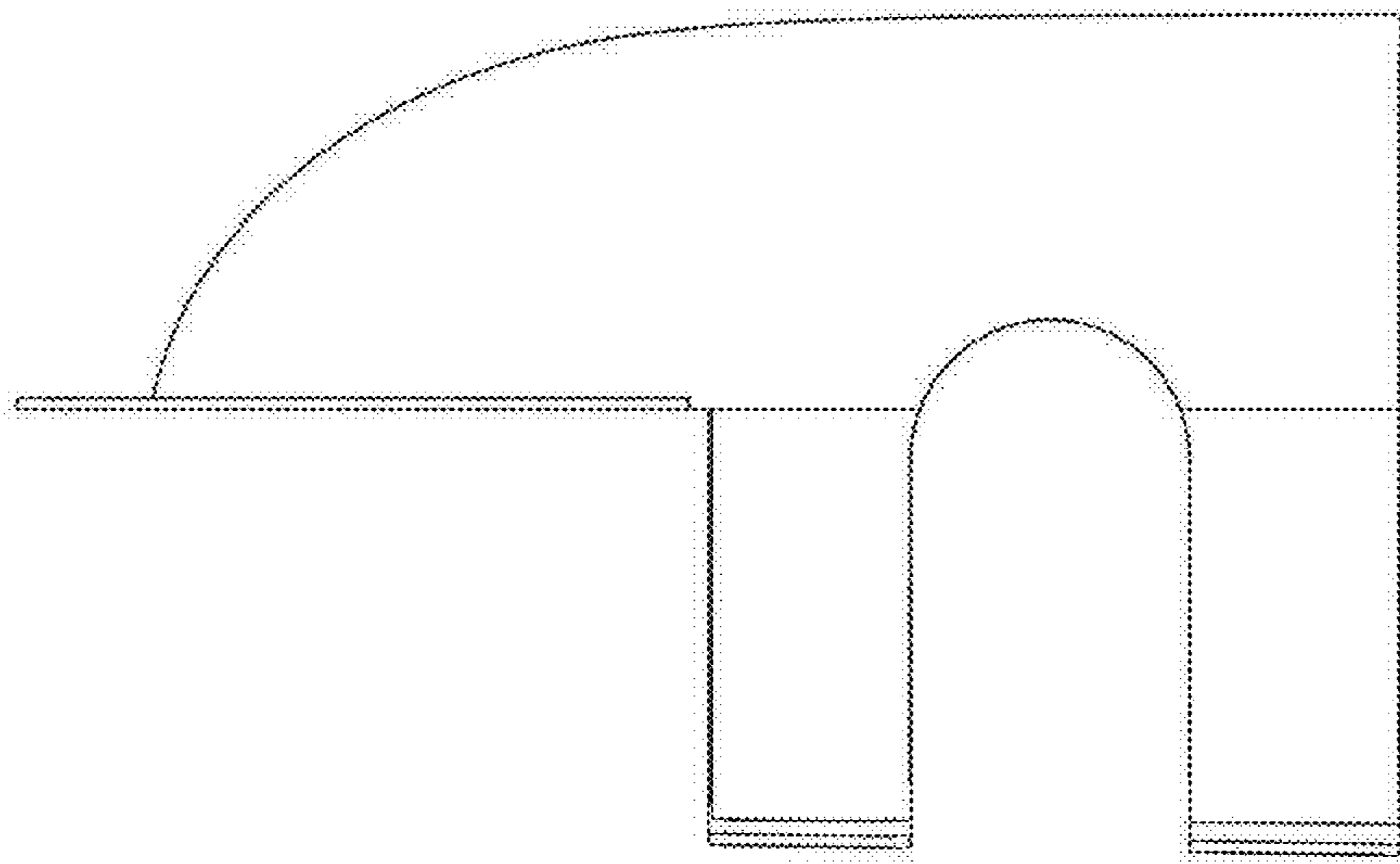
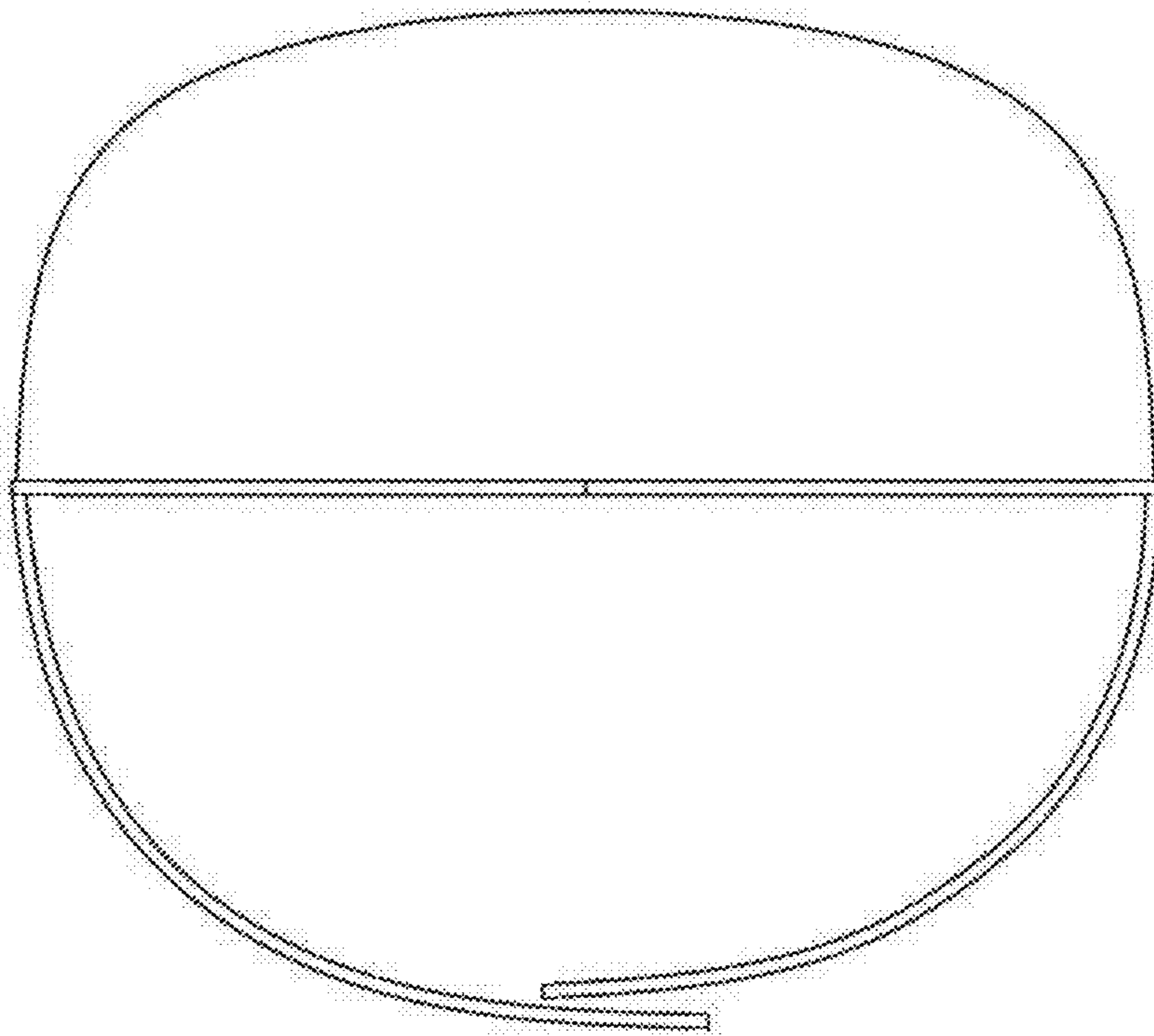


FIG. 4

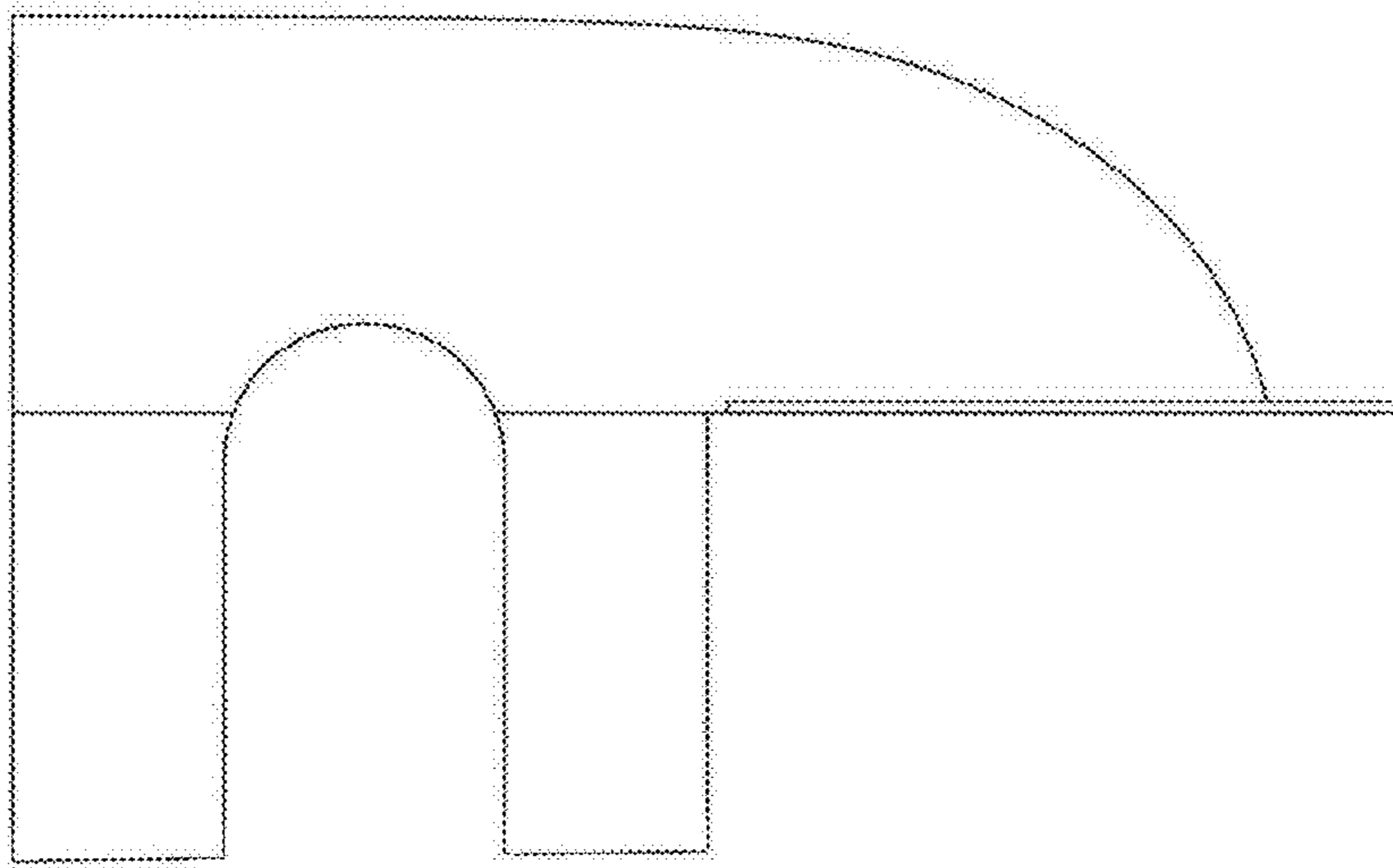


**FIG.5**



**FIG.6**





**FIG. 7**