



US00D876811S

(12) **United States Design Patent** (10) **Patent No.:** **US D876,811 S**  
**Vanderminden** (45) **Date of Patent:** **\*\* Mar. 3, 2020**

(54) **UMBRELLA BASE**

OTHER PUBLICATIONS

(71) Applicant: **Telescope Casual Furniture, Inc.**,  
Granville, NY (US)

William Vanderminden, Nestable and Stackable Umbrella Bases,  
Utility U.S. Appl. No. 15/989,791, filed May 25, 2018.

(Continued)

(72) Inventor: **William M. Vanderminden**,  
Queensbury, NY (US)

*Primary Examiner* — Steven J Czyz

(74) *Attorney, Agent, or Firm* — Heslin Rothenberg  
Farley and Mesiti PC

(73) Assignee: **TELESCOPE CASUAL  
FURNITURE, INC.**, Granville, NY  
(US)

(57) **CLAIM**

The ornamental design for an umbrella base, as shown and  
described.

(\*\*) Term: **15 Years**

**DESCRIPTION**

(21) Appl. No.: **29/648,985**

(22) Filed: **May 25, 2018**

(51) **LOC (12) Cl.** ..... **03-03**

(52) **U.S. Cl.**  
USPC ..... **D3/10**

(58) **Field of Classification Search**  
USPC ..... D3/5, 6, 10; D6/708, 708.2; D8/349;  
D14/229; D25/131; D26/142  
CPC .. F16M 11/22; F16M 2200/08; Y10S 248/91;  
E04H 12/22; E04H 12/2238; E04H  
12/2269

See application file for complete search history.

This application is related to commonly assigned, co-pend-  
ing utility patent application Ser. No. 15/989,791, filed May  
25, 2018, by William M. Vanderminden and entitled  
“Nestable and Stackable Umbrella Bases.”

FIG. 1 is a top perspective view of an umbrella base  
according to the new design;

FIG. 2 is a bottom perspective view thereof;

FIG. 3 is a front elevational view thereof;

FIG. 4 is a left side elevational view thereof;

FIG. 5 is a right side elevational view thereof;

FIG. 6 is a rear elevational view thereof;

FIG. 7 is a top view thereof;

FIG. 8 is a bottom view thereof;

FIG. 9 is a top perspective view of the umbrella base  
illustrating the stacking of two umbrella bases;

FIG. 10 is a top perspective view of the umbrella base  
illustrating the stacking of three umbrella bases; and,

FIG. 11 is a front elevational view of a second embodiment  
of the umbrella base.

The evenly spaced broken lines depict portions of the  
umbrella base that form no part of the claimed design, and  
the dash-dot-dash lines depict the boundary of the claim.

The umbrella base is shown in FIG. 11 with a symbolic  
break in its height. The appearance of any portion of the  
umbrella base between the break lines forms no part of the  
claimed design.

(56) **References Cited**

U.S. PATENT DOCUMENTS

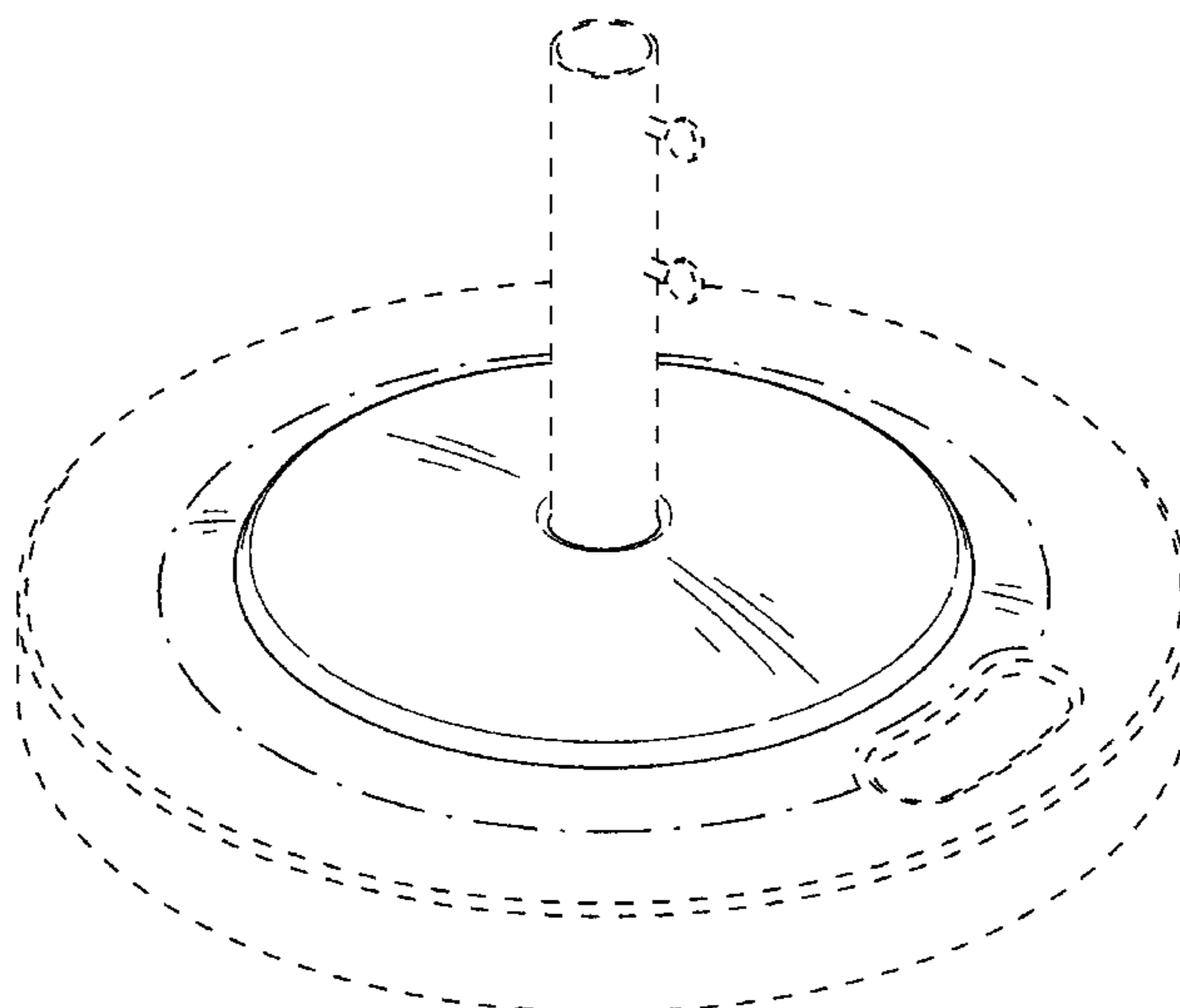
3,038,688 A \* 6/1962 Thorburn ..... A47G 33/12  
47/40.5  
3,119,588 A \* 1/1964 Keats ..... G09F 17/00  
248/158  
3,415,475 A \* 12/1968 Goodman ..... F16M 11/22  
248/158

(Continued)

FOREIGN PATENT DOCUMENTS

CN 204629001 9/2015

**1 Claim, 11 Drawing Sheets**



(56)

References Cited

U.S. PATENT DOCUMENTS

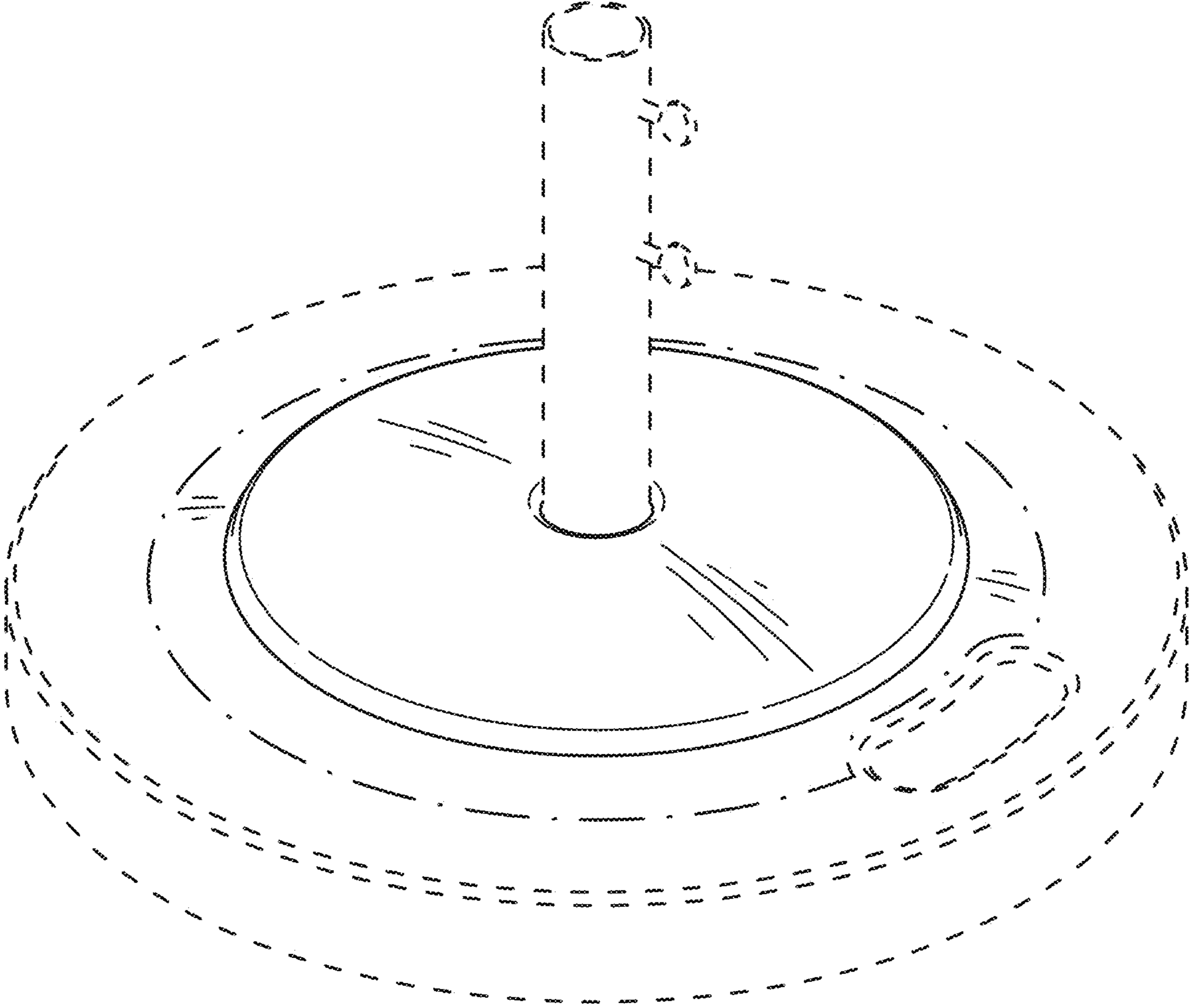
D285,883 S \* 9/1986 Tegze ..... D3/10  
 D286,116 S \* 10/1986 Tegze ..... D3/10  
 D305,702 S \* 1/1990 Taliani ..... D3/10  
 D315,997 S \* 4/1991 Bales ..... D6/708.2  
 5,094,422 A \* 3/1992 Tiffany ..... F42B 4/20  
 248/346.03  
 5,354,031 A \* 10/1994 Bilotti ..... E04H 12/2238  
 248/511  
 5,497,972 A \* 3/1996 Sofy ..... A47F 5/04  
 248/523  
 D397,417 S \* 8/1998 Jane ..... D23/411  
 6,010,108 A \* 1/2000 Welzen ..... A47G 33/045  
 248/520  
 6,113,054 A \* 9/2000 Ma ..... E04H 12/2238  
 248/158  
 D447,649 S \* 9/2001 Mason ..... D6/708  
 6,299,124 B1 \* 10/2001 Reback ..... A47G 33/12  
 248/519  
 6,367,494 B1 \* 4/2002 Tung ..... E04H 12/2238  
 135/44  
 6,446,930 B1 \* 9/2002 Li ..... E04H 12/2238  
 135/15.1  
 D465,988 S \* 11/2002 Green ..... D8/349  
 D470,305 S \* 2/2003 Clarke ..... D3/10  
 6,547,072 B2 \* 4/2003 Whiting ..... A61M 25/002  
 206/210  
 D475,995 S \* 6/2003 Hsieh ..... D14/229  
 D483,131 S \* 12/2003 Tsai ..... D25/131  
 D484,303 S \* 12/2003 Taylor ..... D3/10  
 D485,055 S \* 1/2004 Taylor ..... D3/10  
 D487,163 S \* 2/2004 Humphrey ..... D26/142  
 6,755,311 B2 \* 6/2004 Berry ..... B25H 3/04  
 211/65  
 6,869,058 B2 \* 3/2005 Tung ..... E04H 12/2238  
 248/519  
 D516,297 S \* 3/2006 Smith ..... D3/10  
 D522,492 S \* 6/2006 Carbone ..... D14/211  
 7,186,192 B1 \* 3/2007 Suissa ..... A63B 69/0079  
 473/423  
 D568,603 S \* 5/2008 Smith ..... D3/10  
 7,600,734 B2 \* 10/2009 Clarke ..... A45B 25/00  
 135/120.3  
 7,614,600 B1 \* 11/2009 Smith ..... G09F 23/00  
 135/16  
 D622,443 S \* 8/2010 Huang ..... D26/142  
 D623,500 S \* 9/2010 Langner ..... D8/349  
 D641,435 S \* 7/2011 Coote ..... D21/694  
 D654,296 S \* 2/2012 Shook ..... D6/610  
 D679,169 S \* 4/2013 Else ..... D8/349  
 D697,705 S \* 1/2014 Ma ..... D3/10  
 8,632,045 B2 \* 1/2014 Ma ..... A45B 23/00  
 135/16

8,899,249 B2 \* 12/2014 Lai ..... F16M 11/24  
 135/16  
 D732,817 S \* 6/2015 Elstow ..... D3/10  
 9,108,086 B1 \* 8/2015 Weck ..... A63B 21/072  
 D740,546 S \* 10/2015 DeVaney ..... D3/10  
 9,200,655 B2 \* 12/2015 Pan ..... E04H 12/2238  
 D752,335 S \* 3/2016 Stedman ..... D3/10  
 9,376,832 B2 \* 6/2016 Deering ..... E01F 13/022  
 D768,978 S \* 10/2016 Ma ..... D3/10  
 D771,935 S \* 11/2016 Ma ..... D3/10  
 D775,461 S \* 1/2017 Ma ..... D3/10  
 9,717,974 B2 \* 8/2017 Hahn ..... A63B 71/023  
 D817,631 S \* 5/2018 Weng ..... D3/10  
 10,017,955 B2 \* 7/2018 Ye ..... F16M 11/42  
 10,030,889 B2 \* 7/2018 Merritt ..... F24H 9/02  
 10,100,969 B1 \* 10/2018 Zhu ..... E04H 12/2238  
 D833,023 S \* 11/2018 Maletic ..... D24/186  
 D833,136 S \* 11/2018 Ma ..... D3/10  
 D835,459 S \* 12/2018 Sedgwick ..... D7/392.1  
 D855,967 S \* 8/2019 Ma ..... D3/10  
 2003/0111657 A1 \* 6/2003 Green ..... A47F 10/00  
 256/45  
 2004/0108439 A1 6/2004 Ma  
 2013/0017937 A1 \* 1/2013 Guarrasi ..... A63B 26/00  
 482/142

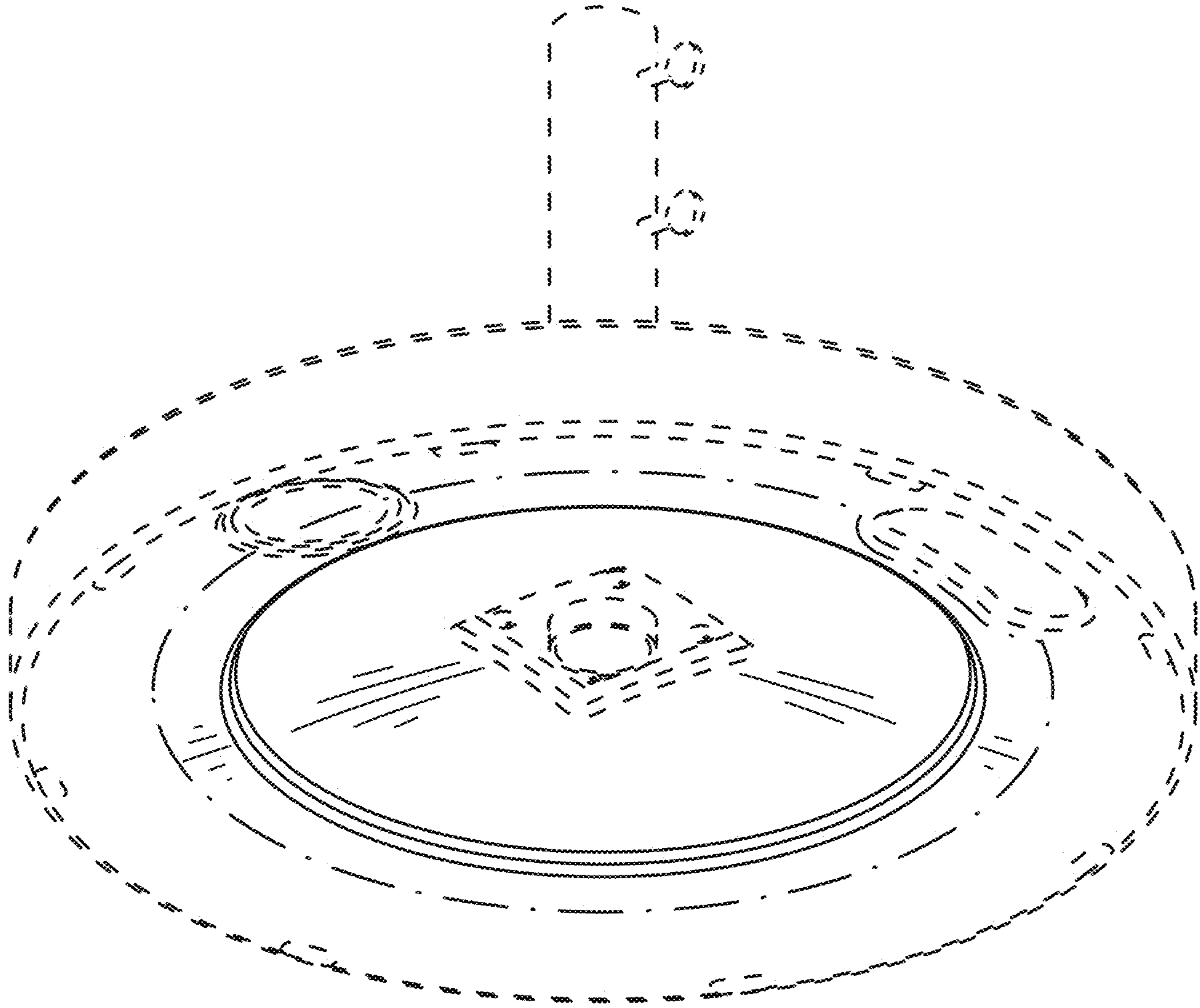
OTHER PUBLICATIONS

Umbrella Base, designed by Oliver Joen-an Ma, photographs of top and bottom of umbrella base taken Apr. 26, 2018, corresponding to Design U.S. Pat. No. D. 771,935, 2 pages, at least as early as Nov. 22, 2016.  
 Grosfillex Umbrella Base—Features and Benefits, available from <http://www.altantafixture.com/itemdetail.aspx/2355/Grossfillex/35-LB-...>, printed Apr. 26, 2018, 3 pages.  
 MyUmbrellaShop.com, 70lb Plastic Concrete Filled Umbrella Base, <https://www.myumbrellashop.co./product/70-lb-plastic-concrete-filled-...>, printed Apr. 26, 2018, 2 pages.  
 Telescope Casual 2018 Catalog, Telescope Casual Furniture, Inc., Granville, New York, 100 pages, Jul. 1, 2017.  
 Telescope Casual 2017 Catalog, Telescope Casual Furniture, Inc., Granville, New York, 100 pages, Jul. 1, 2016.  
 #13 16-inch Weighted Base with Handle, manufactured by USWeight, aka. Escalade Sports, Telescope Casual 2018 Catalog, p. 72, at least as early as Fall 2016.  
 #13 17-inch Weighted Patio Base 45 lbs, manufactured by SDM, Canada, and #23 20-inch Weighted Market Base, manufactured by SDM, Telescope Casual 2008 Catalog, p. 64, 2008.  
 #12 24-inch Square Steel Market Base 55 lbs and #120WGT 24-inch Square Steel Add-on Weight 55 lbs, Telescope Casual 2017 Catalog, p. 72, Fall 2016.

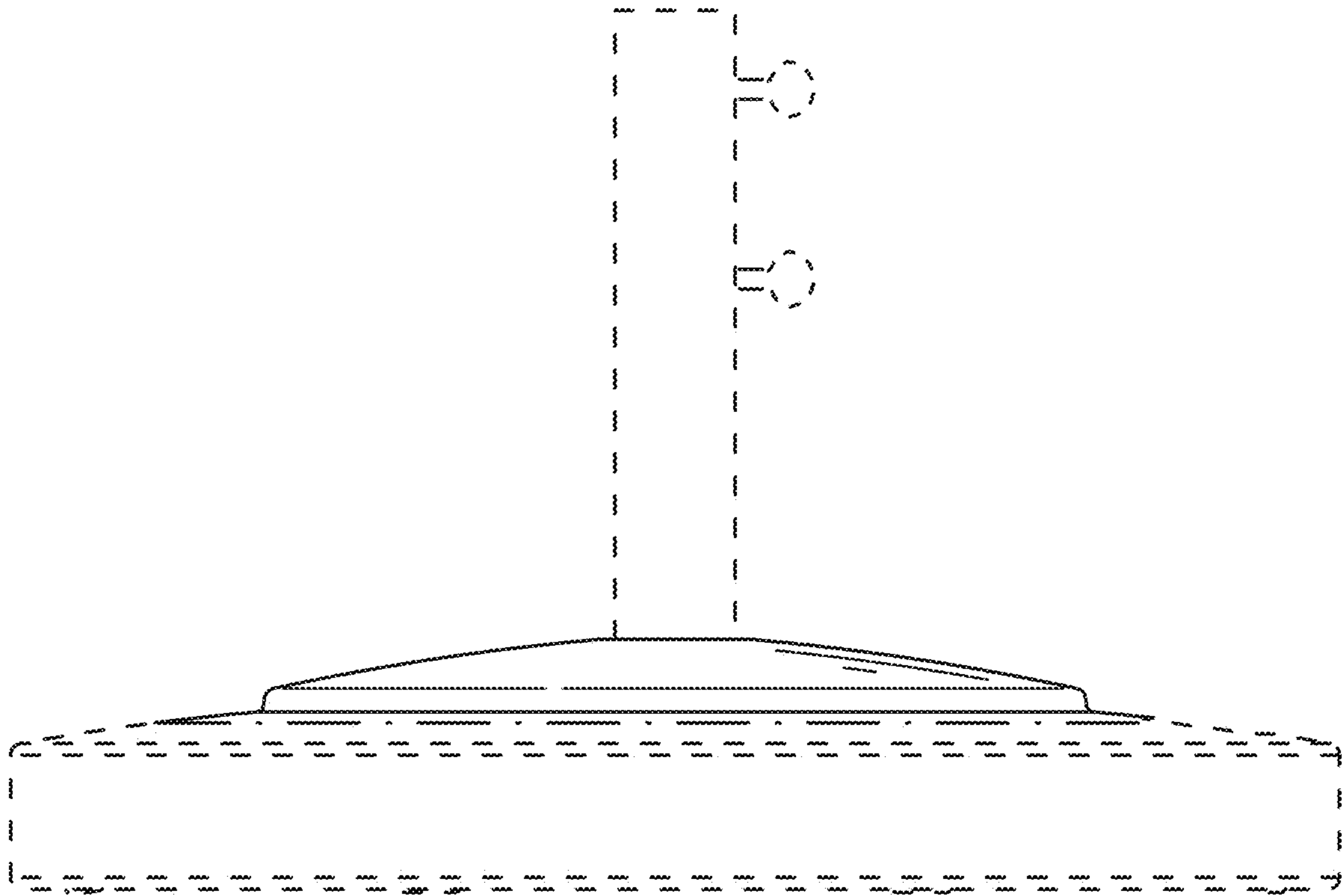
\* cited by examiner



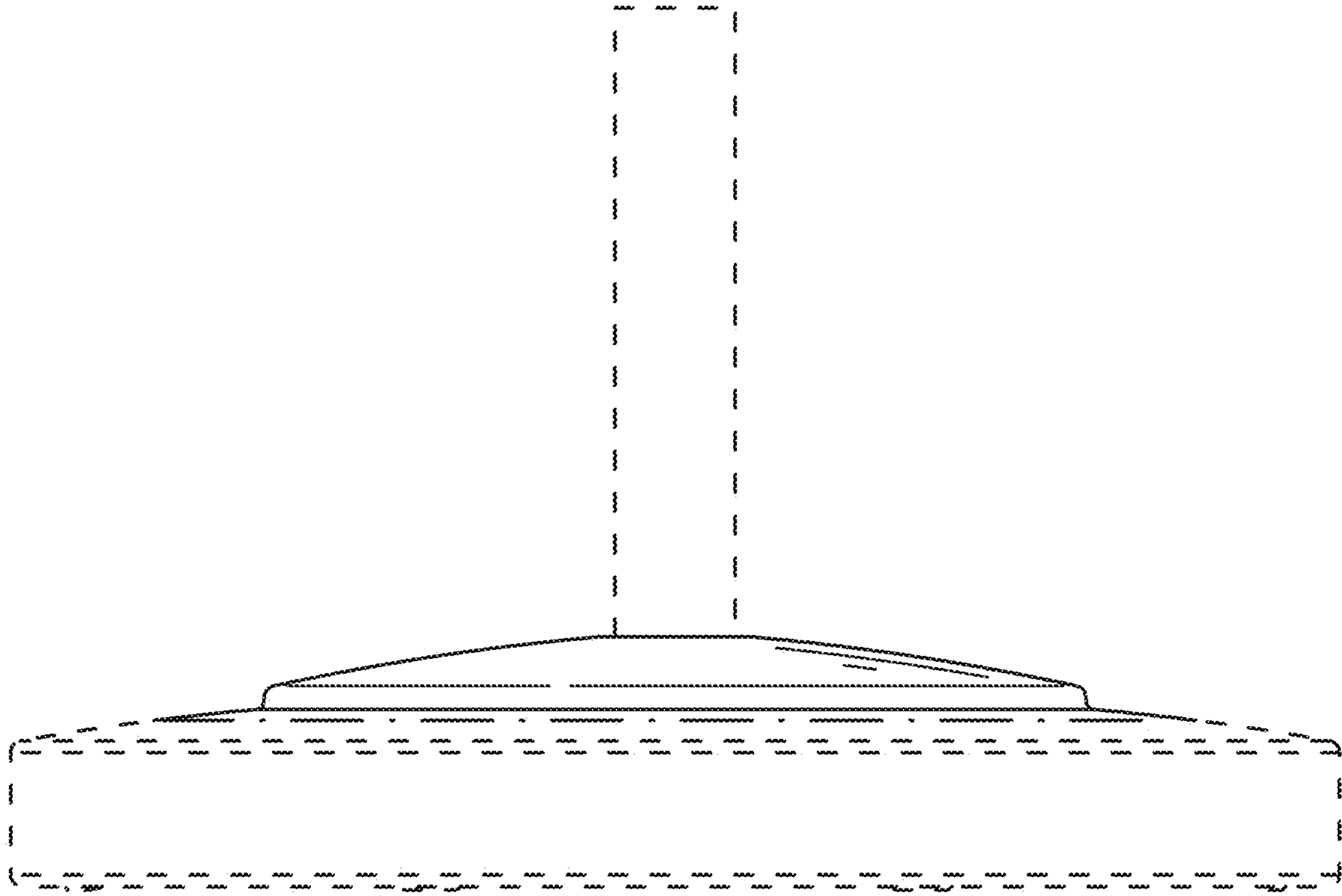
**FIG. 1**



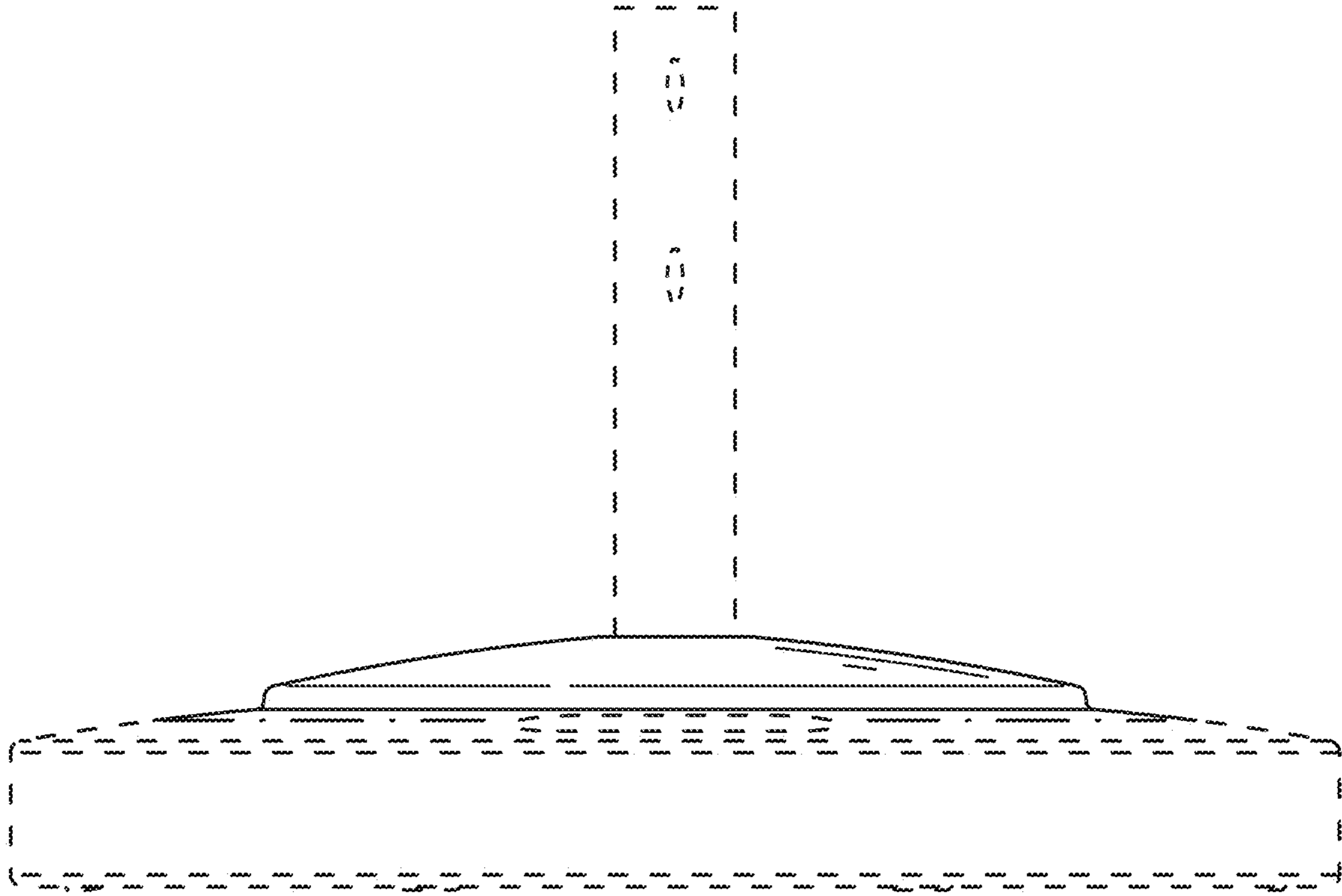
**FIG. 2**



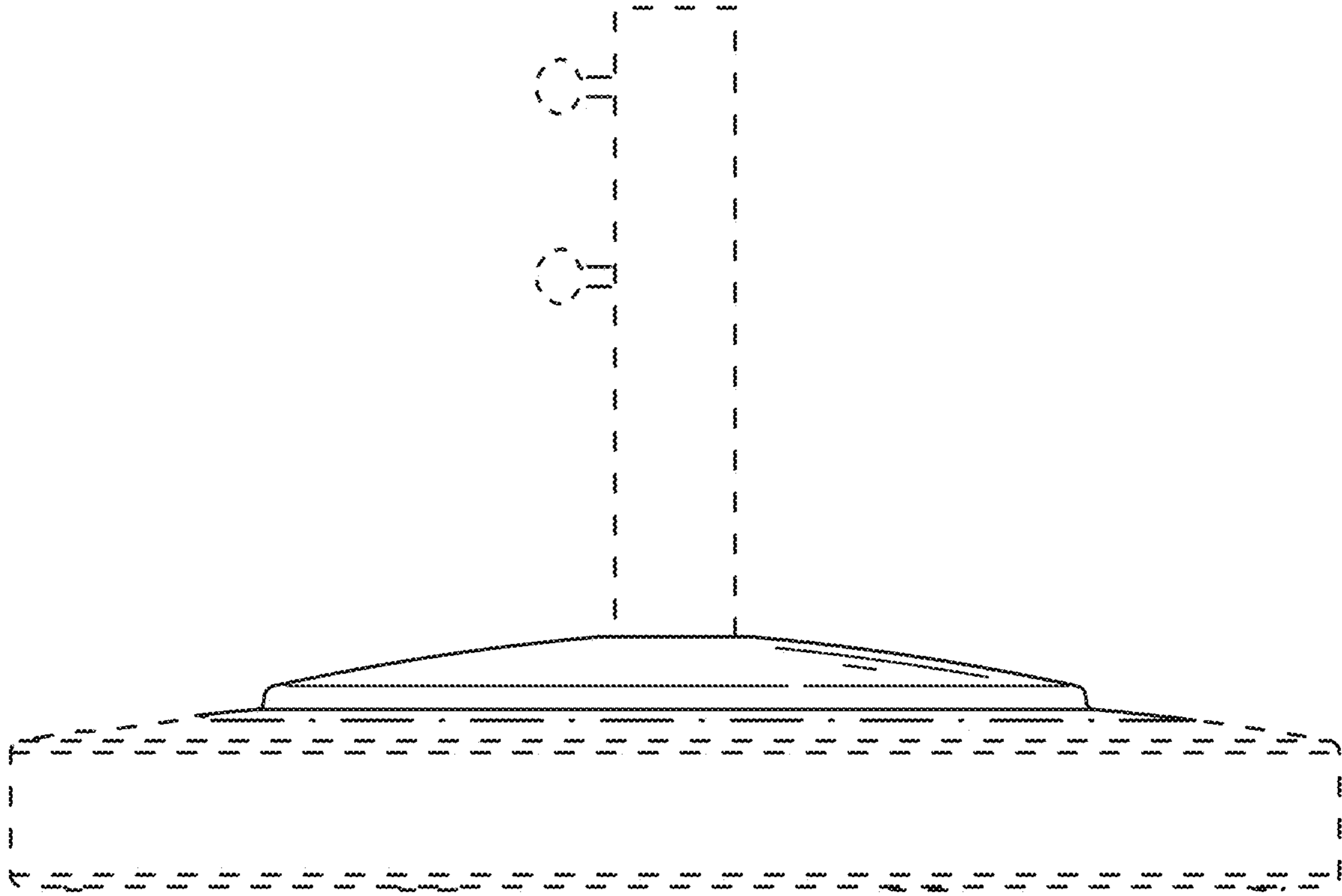
**FIG. 3**



***FIG. 4***

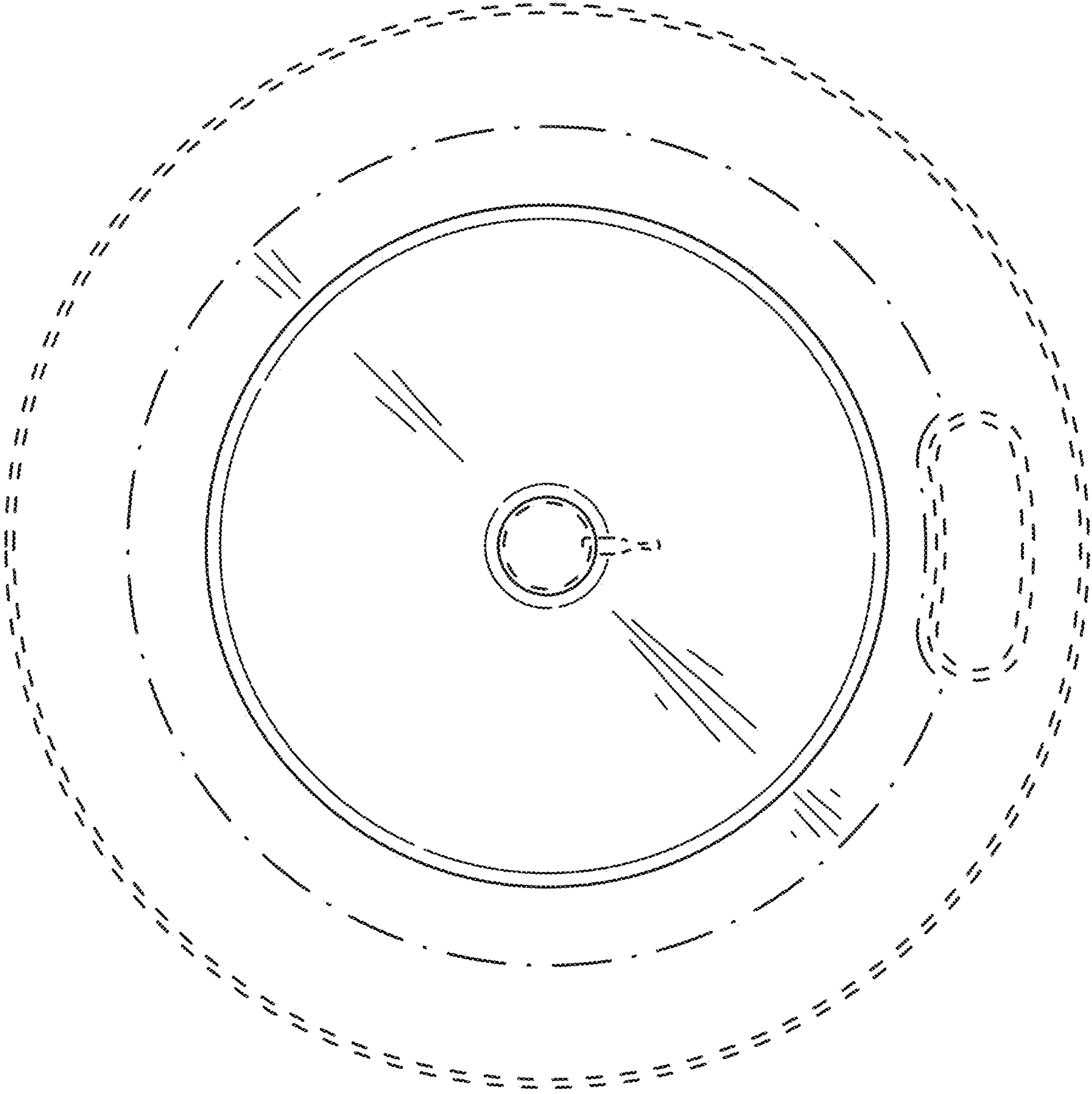


**FIG. 5**

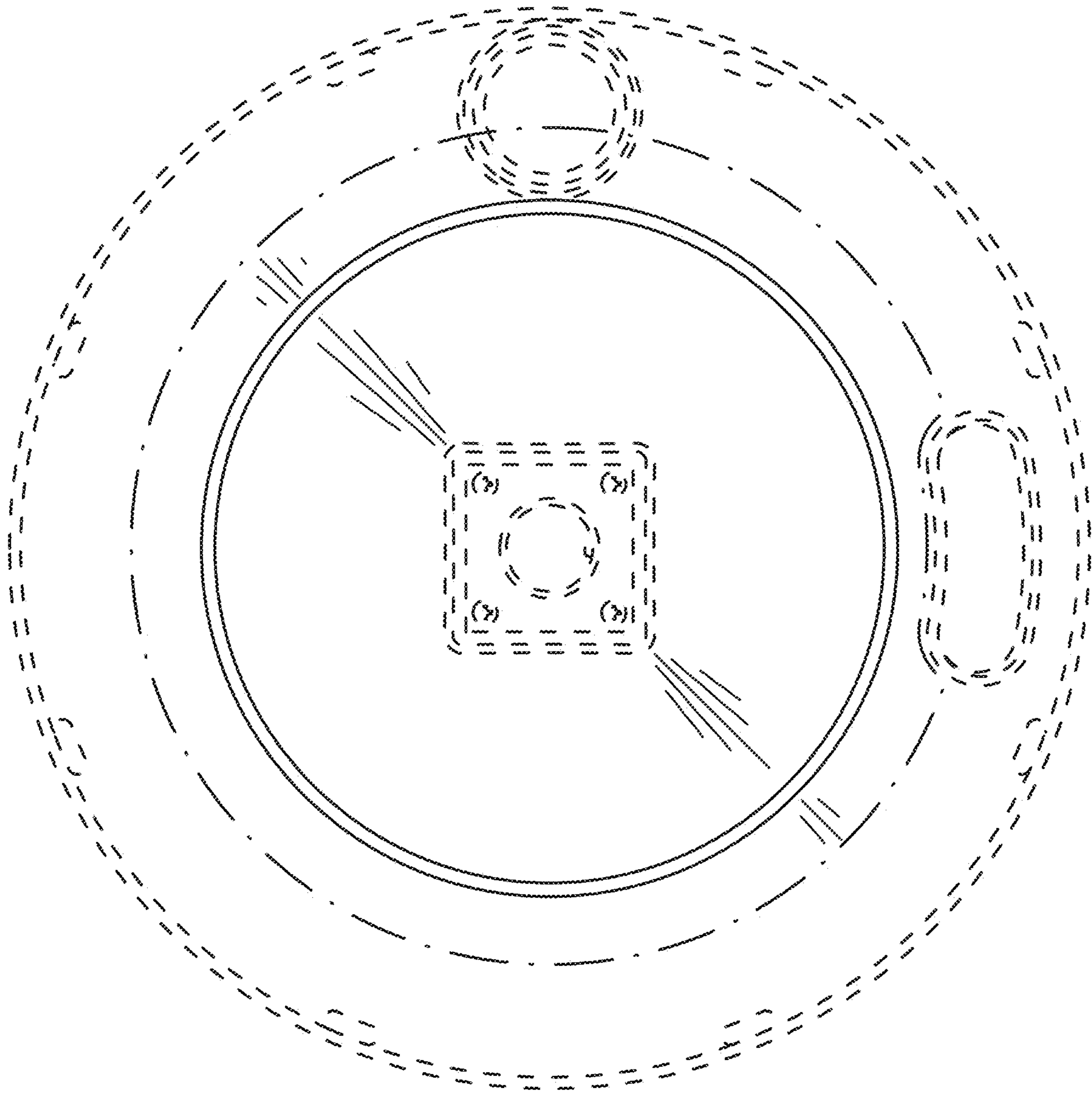


**FIG. 6**

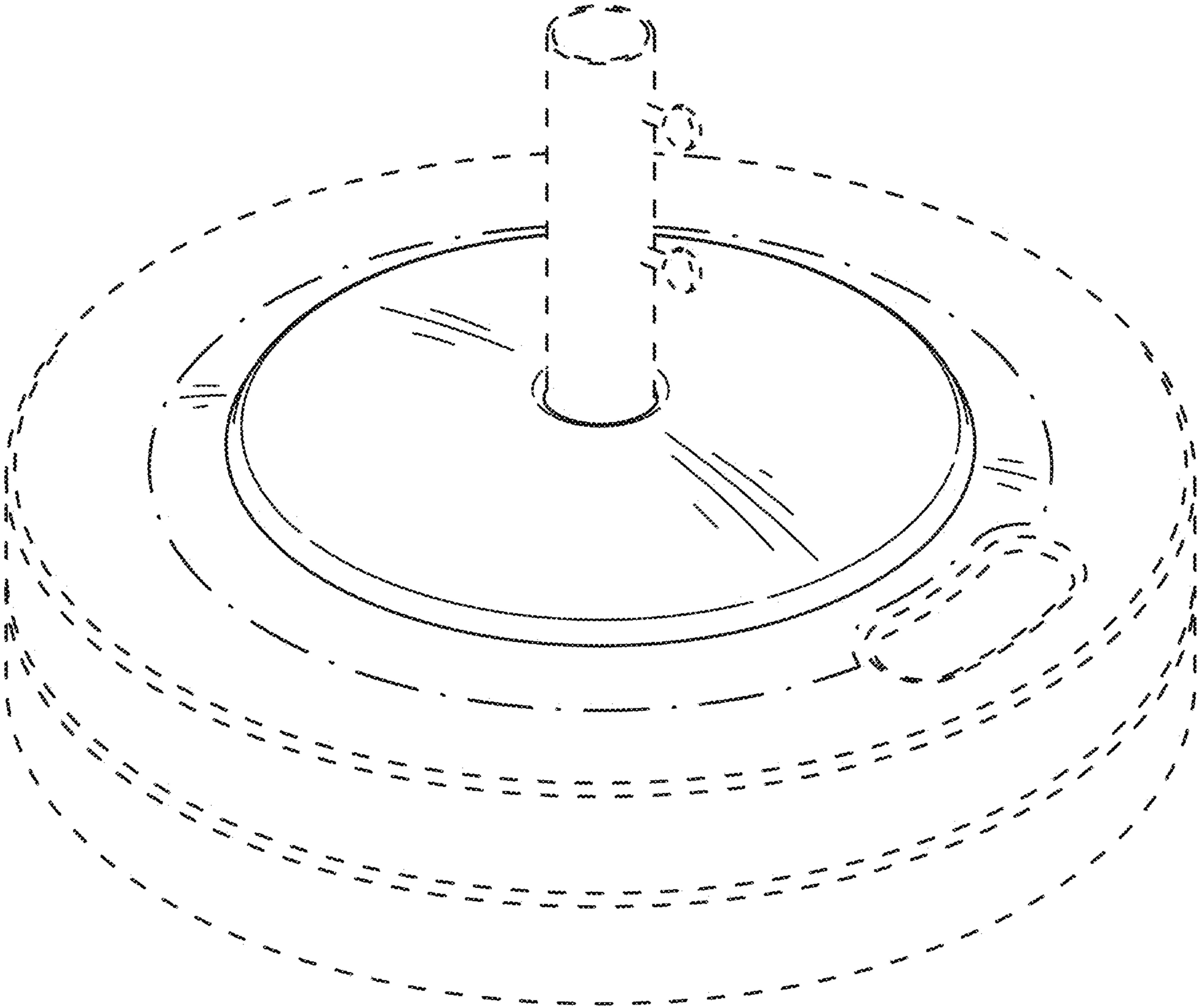




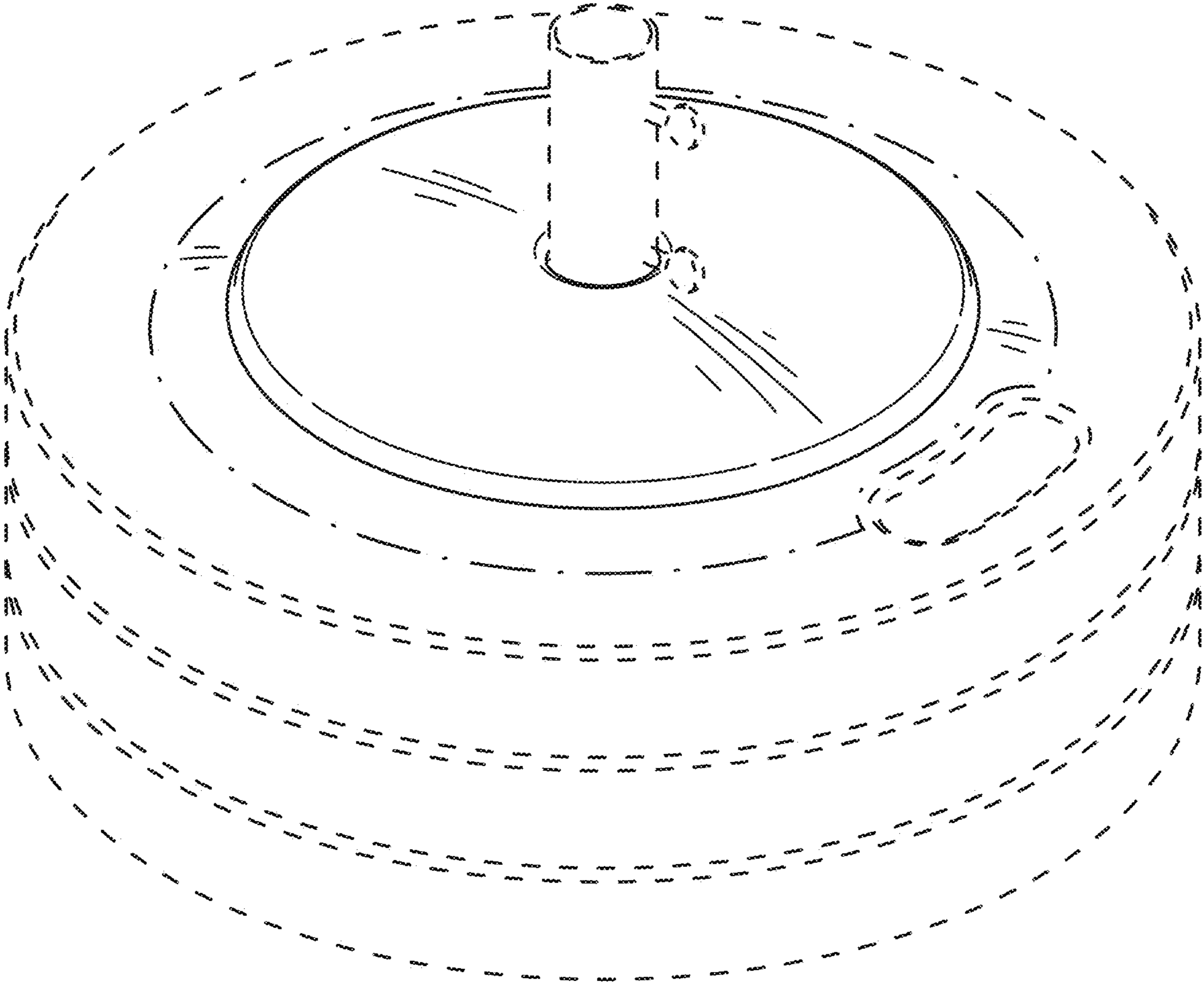
**FIG. 7**



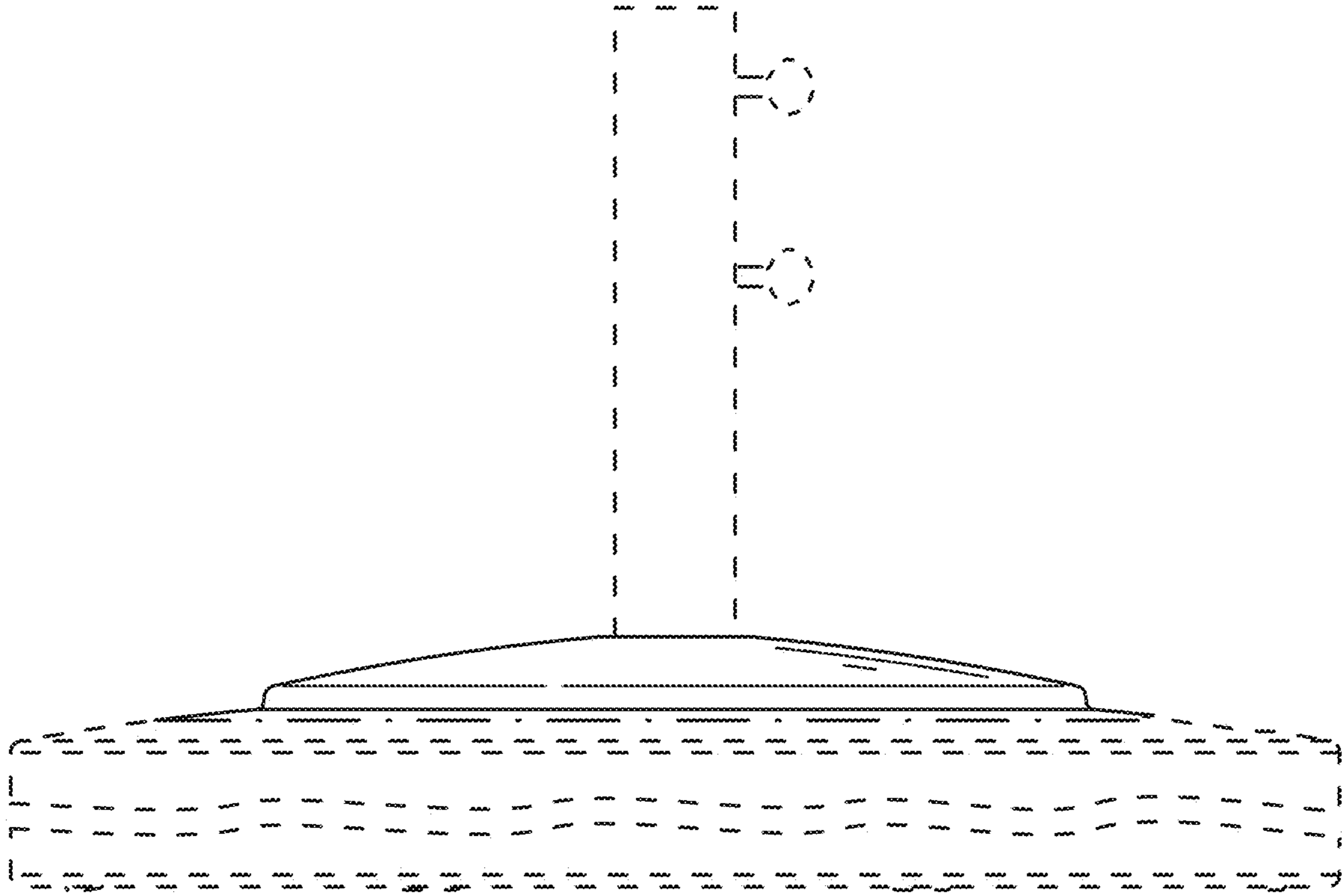
**FIG. 8**



**FIG. 9**



**FIG. 10**



**FIG. 11**