



US00D876810S

(12) **United States Design Patent** (10) **Patent No.:** **US D876,810 S**
AlGhazi et al. (45) **Date of Patent:** **** Mar. 3, 2020**

(54) **CANE**

FOREIGN PATENT DOCUMENTS

(71) Applicant: **CAN Mobilities, Inc.**, San Jose, CA (US)

EP 1550488 A1 7/2005
WO 2017184787 A1 10/2017

(72) Inventors: **Ahmad AlGhazi**, San Jose, CA (US);
Dan Clifton, San Francisco, CA (US)

OTHER PUBLICATIONS

(73) Assignee: **CAN Mobilities, Inc.**, San Jose, CA (US)

CAN Mobilities, Inc., "The Smart Way to Keep Your Loved Ones Safe", CAN Mobilities (May 18, 2018), <https://www.canmobilities.com/>.

(**) Term: **15 Years**

(Continued)

(21) Appl. No.: **29/658,350**

Primary Examiner — Steven J Czyz
(74) *Attorney, Agent, or Firm* — Dorsey & Whitney LLP

(22) Filed: **Jul. 30, 2018**

(57) **CLAIM**

(51) **LOC (12) Cl.** **03-03**

The ornamental design for a cane, as shown and described.

(52) **U.S. Cl.**
USPC **D3/7**

DESCRIPTION

(58) **Field of Classification Search**
USPC D3/5, 6, 7, 8, 10, 16
CPC A45B 1/00; A45B 3/00; A45B 3/02; A45B 3/04; A45B 7/00; A45B 7/005; A45B 9/00; A45B 2009/002; A45B 2009/005; A45B 2009/007; A61H 3/00; A61H 3/02; A61H 3/06
See application file for complete search history.

FIG. 1 is an isometric view of the cane.
FIG. 2 is another isometric view of the cane in FIG. 1.
FIG. 3 is a right side view of the cane in FIG. 1.
FIG. 4 is a left side view of the cane in FIG. 1.
FIG. 5 is a front view of the cane in FIG. 1.
FIG. 6 is a rear view of the cane in FIG. 1.
FIG. 7 is a top view of the cane in FIG. 1.
FIG. 8 is a bottom view of the cane in FIG. 1.
FIG. 9 is an isometric view of the cane with a different set of unclaimed features.
FIG. 10 is yet another isometric view of the cane in FIG. 9.
FIG. 11 is a right side view of the cane in FIG. 9.
FIG. 12 is a left side view of the cane in FIG. 9.
FIG. 13 is a front view of the cane in FIG. 9.
FIG. 14 is a rear view of the cane in FIG. 9.
FIG. 15 is a top view of the cane in FIG. 9; and,
FIG. 16 is a bottom view of the cane in FIG. 9.
The broken lines depict boundaries of the claim and portions of the article that form no part of the claimed design.

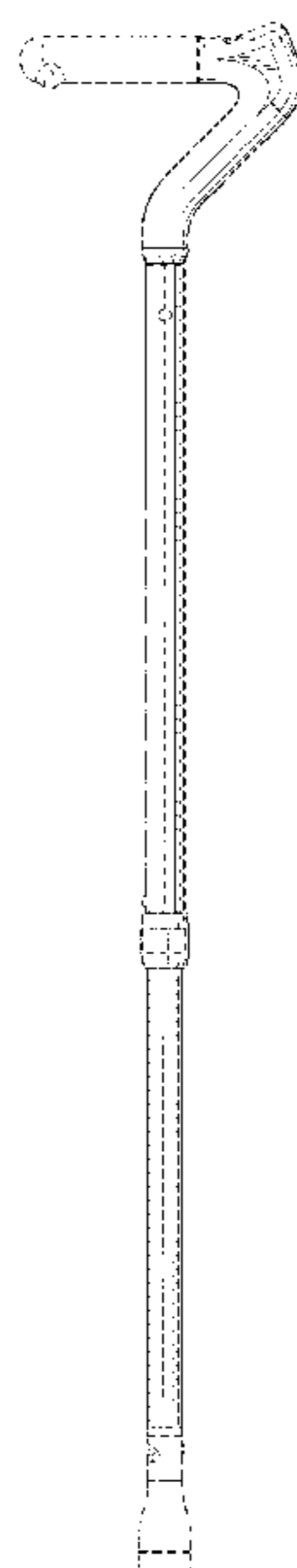
(56) **References Cited**

U.S. PATENT DOCUMENTS

4,562,850 A * 1/1986 Earley A45B 3/04
135/66
5,097,856 A 3/1992 Chi-Sheng
5,318,057 A * 6/1994 Wallum A61H 3/02
135/65
5,331,990 A * 7/1994 Hall A45B 3/00
135/65
5,582,196 A * 12/1996 Hae A45B 3/00
135/65

(Continued)

1 Claim, 8 Drawing Sheets



(56)

References Cited

U.S. PATENT DOCUMENTS

5,636,650 A * 6/1997 Kroeze A45B 3/00
135/66
5,640,985 A * 6/1997 Snyder A45B 3/00
135/65
D408,126 S * 4/1999 Hunnicutt, Jr. D3/7
D411,343 S * 6/1999 Brightbill D3/16
5,961,012 A * 10/1999 Bucher A47G 25/82
223/118
D417,068 S * 11/1999 Swercheck, Sr. D3/7
6,000,414 A * 12/1999 Crusor A45B 1/04
135/66
6,158,453 A * 12/2000 Nasco A45B 1/02
135/77
6,163,249 A 12/2000 Betcher, III et al.
6,170,500 B1 * 1/2001 Turechek A45B 1/04
135/66
D437,679 S * 2/2001 Lisowski D3/9
D552,340 S * 10/2007 Graves D3/7
D555,350 S * 11/2007 Graves D3/7
7,540,296 B2 * 6/2009 Meyers A45B 9/02
135/76
7,600,523 B1 * 10/2009 Hawkesworth A61H 3/0277
135/65
D620,696 S * 8/2010 Alacar, Jr. D3/7

D632,069 S * 2/2011 Thiessens D3/7
8,424,548 B2 * 4/2013 Willey A45B 1/04
135/66
D693,565 S * 11/2013 Chan D3/7
D697,300 S * 1/2014 Alsaffar D3/7
D698,140 S * 1/2014 Parker D3/13
8,695,617 B2 * 4/2014 Diamond A45B 3/02
135/66
9,226,555 B1 * 1/2016 Shyu A45B 3/04
9,277,794 B2 * 3/2016 Moreau A45B 9/00
9,596,912 B2 * 3/2017 Sacks A45B 1/04
D805,158 S * 12/2017 Pennington D22/117
D811,720 S * 3/2018 Crowhurst D3/17
10,016,032 B1 * 7/2018 Menn A45B 3/00
10,136,841 B2 * 11/2018 Alghazi A61G 5/10
2009/0056777 A1 * 3/2009 Lawhead A45B 3/04
135/66
2009/0174565 A1 7/2009 Chan et al.
2017/0172462 A1 6/2017 Alghazi
2019/0142120 A1 5/2019 Alghazi et al.

OTHER PUBLICATIONS

U.S. Appl. No. 16/095,201, titled "Mobility Devices Having Smart Features and Charging Mounts for Same", filed Oct. 19, 2018.

* cited by examiner

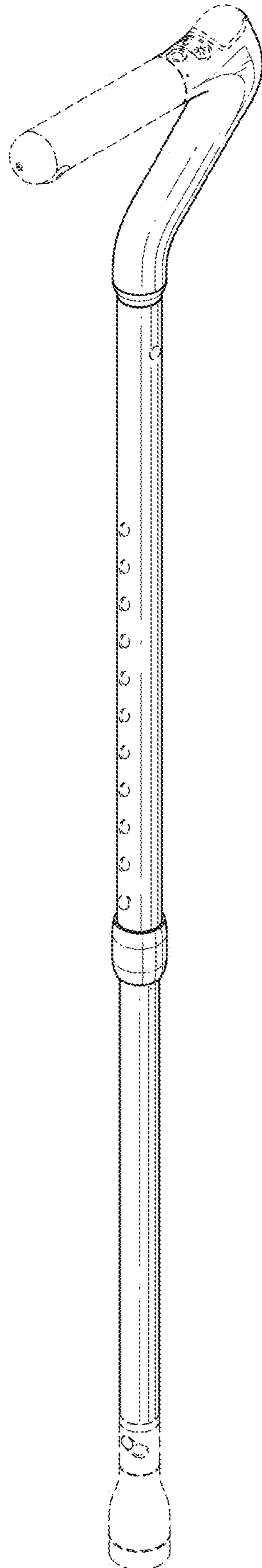


FIG. 1

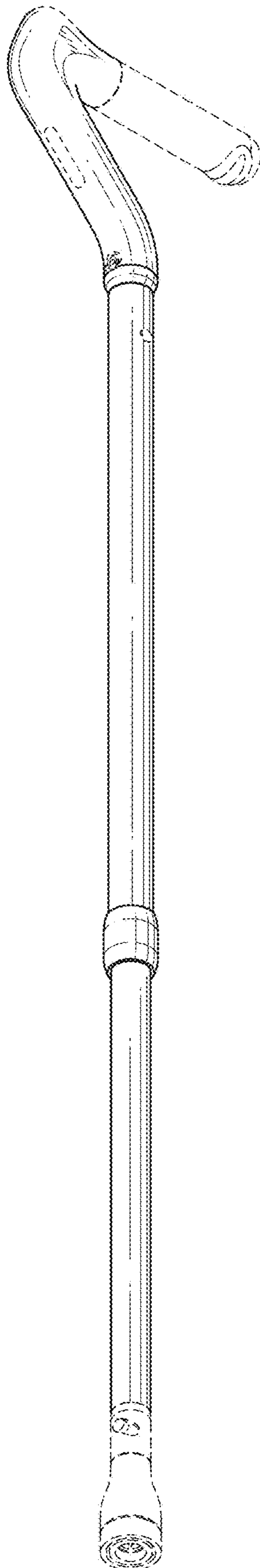


FIG. 2

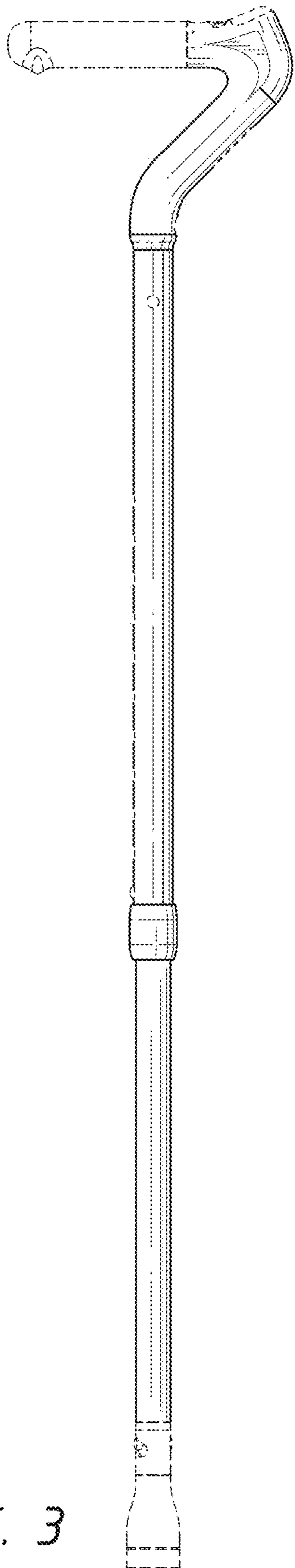


FIG. 3

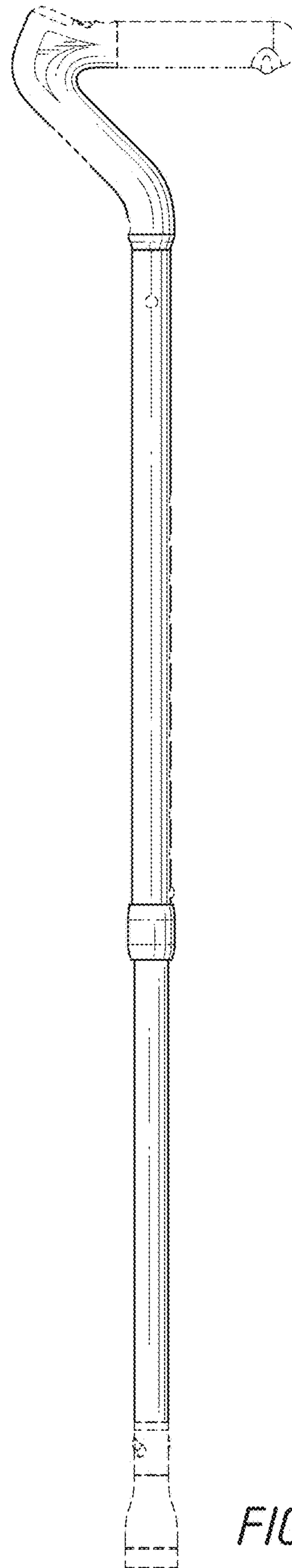


FIG. 4

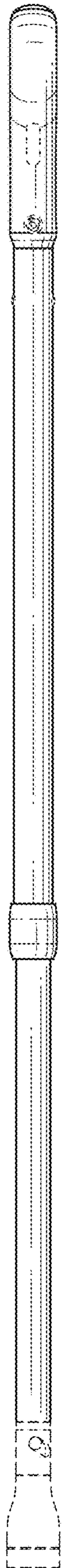


FIG. 5

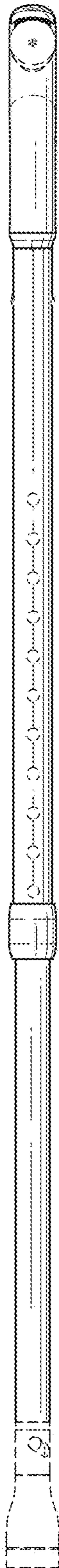


FIG. 6

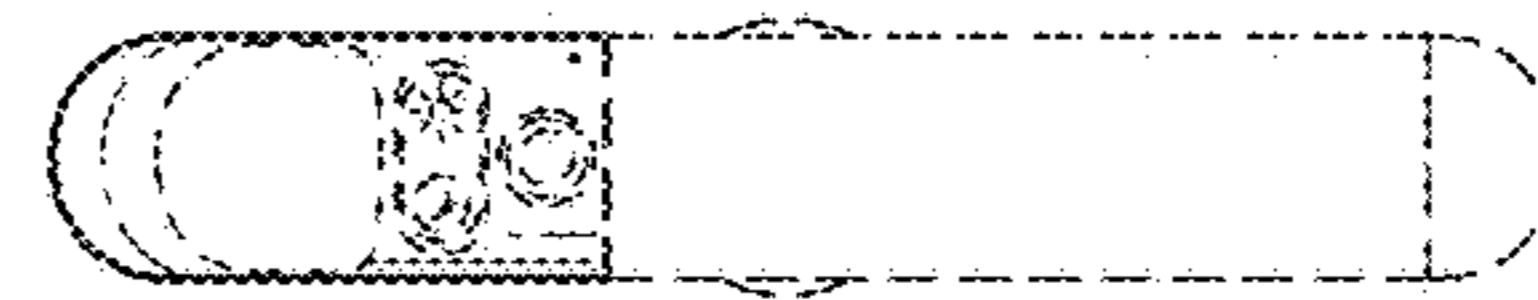


FIG. 7



FIG. 8

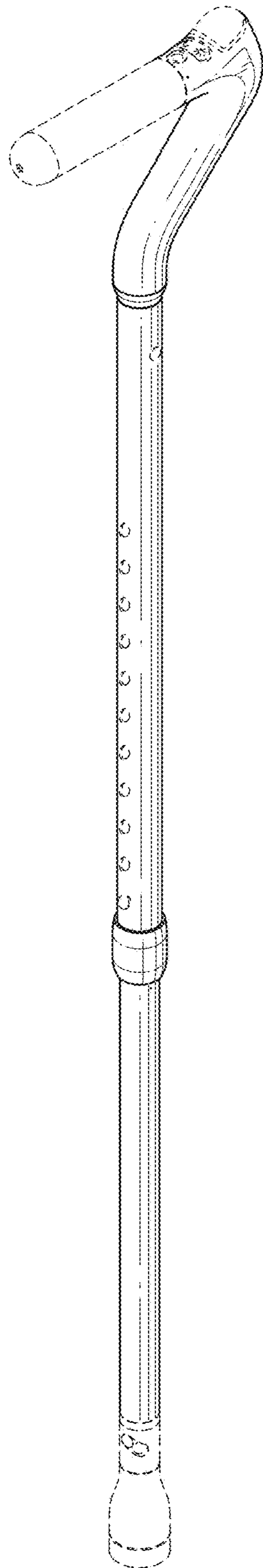


FIG. 9

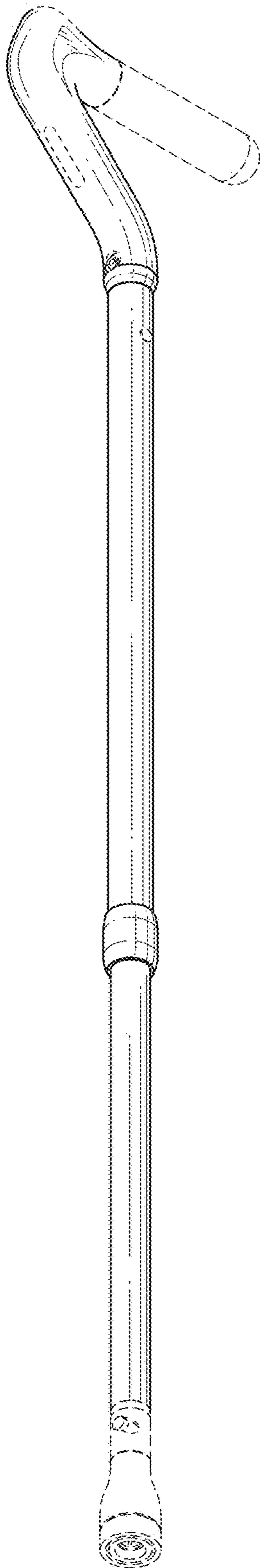


FIG. 10

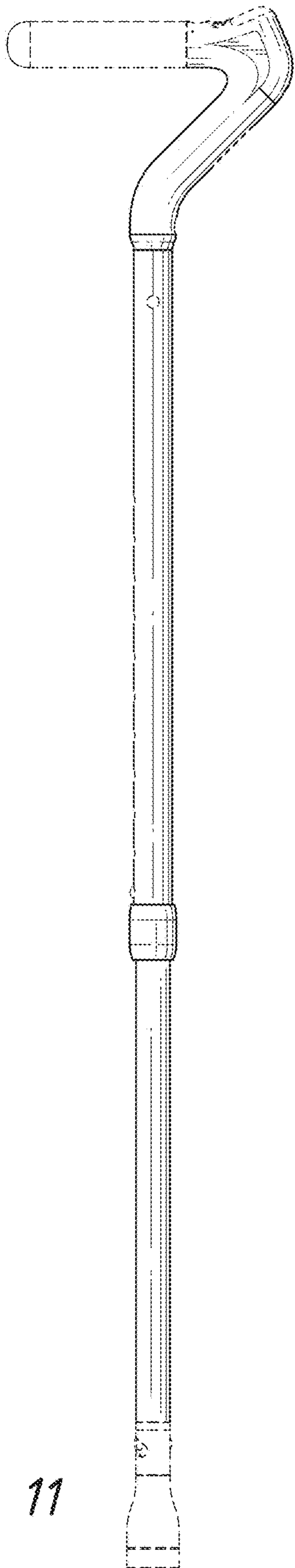


FIG. 11

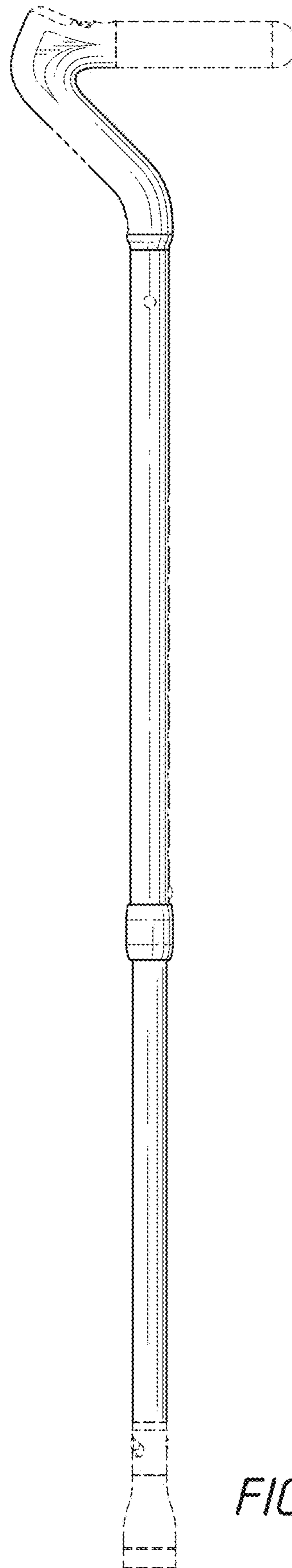


FIG. 12

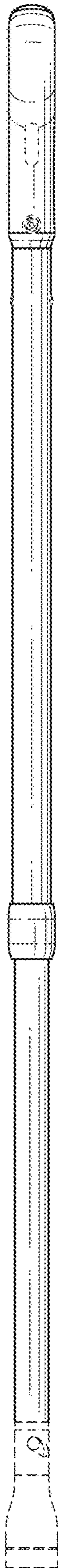


FIG. 13

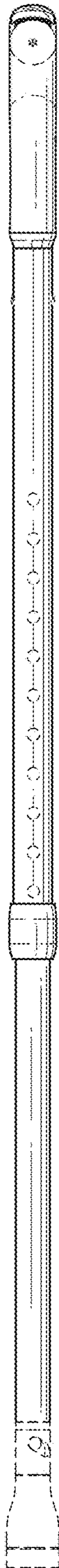


FIG. 14



FIG. 15



FIG. 16