



US00D876809S

(12) **United States Design Patent** (10) **Patent No.:** **US D876,809 S**
Nelson (45) **Date of Patent:** **** Mar. 3, 2020**

(54) **WALKING AID**
(71) Applicant: **Craig Edward Nelson**, Seattle, WA (US)
(72) Inventor: **Craig Edward Nelson**, Seattle, WA (US)
(**) Term: **15 Years**
(21) Appl. No.: **29/637,090**
(22) Filed: **Feb. 13, 2018**
(51) **LOC (12) Cl.** **03-03**
(52) **U.S. Cl.**
USPC **D3/7**
(58) **Field of Classification Search**
USPC D3/5, 6, 7, 12, 19; D6/709, 712; D21/725
CPC A45B 1/00; A45B 3/00; A45B 7/00; A45B 9/00; A45B 2009/005; A45B 2009/007; A45B 2200/05; A45B 2200/055
See application file for complete search history.

(56) **References Cited**
U.S. PATENT DOCUMENTS
430,388 A * 6/1890 Kinst et al. A63B 60/34 473/564
D49,909 S * 11/1916 Riegel et al. D3/7
D83,952 S * 4/1931 Carley et al. D3/7
1,959,169 A * 5/1934 Marinacci A45B 3/00 446/193
2,435,650 A * 2/1948 Greene A45B 3/04 135/66
D207,764 S * 5/1967 Lozo et al. 135/66
4,106,521 A * 8/1978 Thomas A61H 3/02 135/67
4,253,479 A * 3/1981 Laurent A45B 3/00 135/69
D261,199 S * 10/1981 Dockery D3/7

D285,861 S * 9/1986 Jackson D3/7
D290,784 S * 7/1987 Moshiri D3/7
4,796,648 A * 1/1989 Goulter A45B 9/00 135/65
(Continued)

OTHER PUBLICATIONS

This patent application is similar to, but rather different from U.S. Appl. No. 29/635,713 and U.S. Appl. No. 29/637,391, which are currently in prosecution.
(Continued)

Primary Examiner — Steven J Cxyz

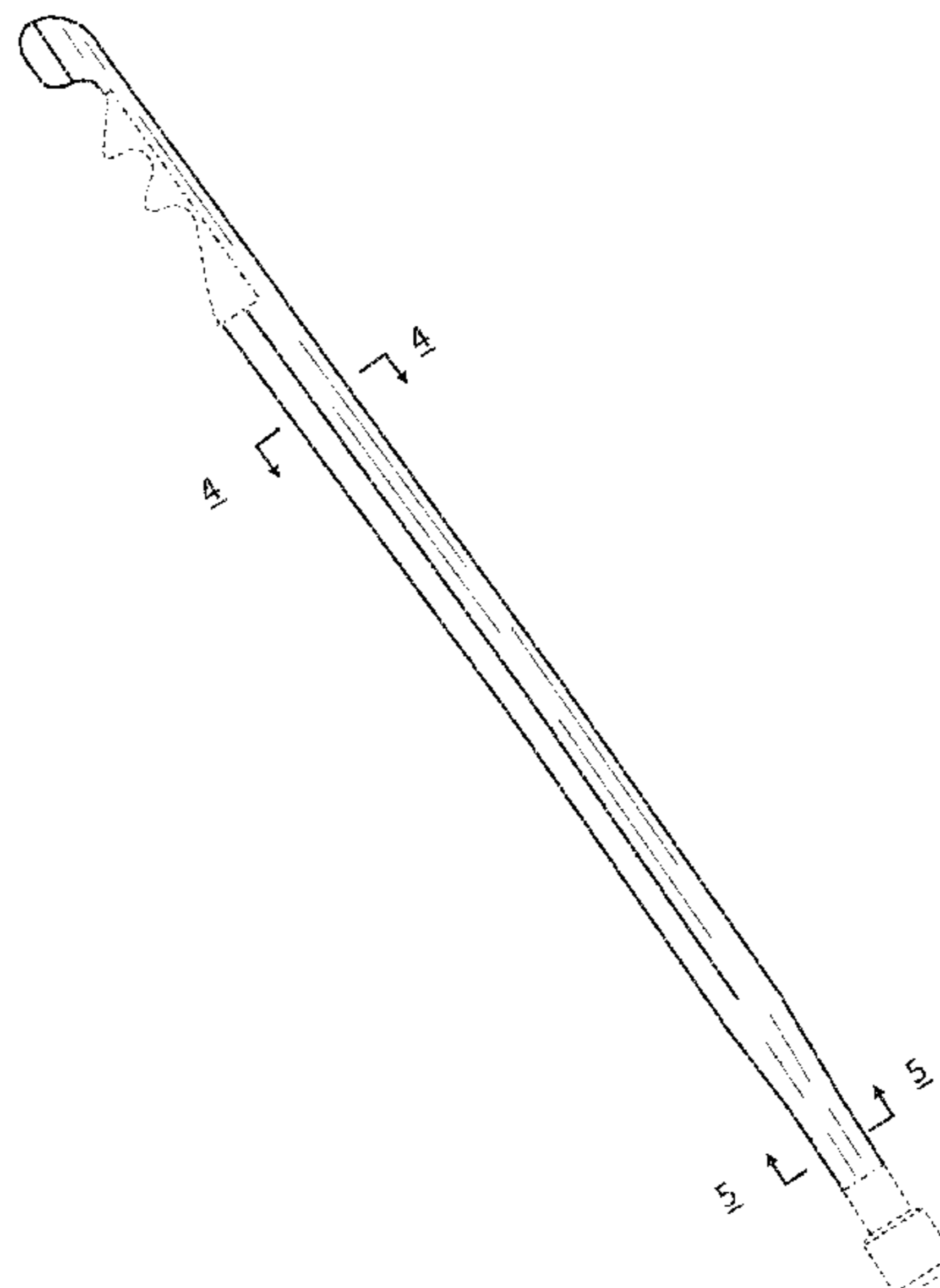
(57) **CLAIM**

I claim the ornamental design for a walking aid, as shown and described.

DESCRIPTION

FIG. 1 is a bottom view of the walking aid
FIG. 2 is a top view thereof
FIG. 3 is a right side view, with the left side view being a mirror image thereof
FIG. 4 is a cross-sectional view taken along line 4-4 of FIG. 3
FIG. 5 is a cross-sectional view taken along line 5-5 of FIG. 3
FIG. 6 is a bottom view of a second embodiment of the walking aid
FIG. 7 is a top view thereof
FIG. 8 is a right side view, with the left side view being a mirror image thereof
FIG. 9 is a cross-sectional view taken along line 9-9 of FIG. 8; and,
FIG. 10 is a cross-sectional view taken along line 10-10 of FIG. 8.
The dash-dash-dash broken lines depict portions of the article that form no part of the claimed design.
Dot-dash-dot lines indicate the boundary of the claim and form no part of the claimed design.

1 Claim, 6 Drawing Sheets



(56)

References Cited

U.S. PATENT DOCUMENTS

4,958,650 A * 9/1990 Dale A45B 9/00
 135/65
 D342,828 S * 1/1994 Steinbach D3/7
 D450,440 S * 11/2001 Clarke D3/6
 D457,414 S * 5/2002 Spangmyr et al. D15/142
 7,293,827 B2 * 11/2007 Schrader A45B 3/00
 135/66
 D594,222 S * 6/2009 Antrim D3/7
 D622,497 S * 8/2010 Branton D3/7
 D690,927 S * 10/2013 Jones D3/7
 D698,691 S * 2/2014 Schmucker D11/131
 D699,938 S * 2/2014 Mayer D3/7
 D714,407 S * 9/2014 Santorelli D21/725
 9,016,297 B2 * 4/2015 Salomon A45B 1/02
 135/66
 9,044,072 B2 * 6/2015 Lindsay, Jr. A45B 3/14
 D740,015 S * 10/2015 Berberian D3/7
 D740,543 S * 10/2015 Winters D3/5

D740,545 S * 10/2015 Brown D3/7
 D747,867 S * 1/2016 Woodall D3/16
 D767,876 S * 10/2016 Elliott D3/7
 9,706,818 B2 * 7/2017 Knopow B29C 51/105

OTHER PUBLICATIONS

A prior, erroneously sent amendment of this U.S. Appl. No. 29/637,090, injected “new matter” into U.S. Appl. No. 29/635,713.

A subsequent amendment to U.S. Appl. No. 29/635,713 has been submitted and should clear up the “new matter” injection problem for that patent application.

The previous U.S. Appl. No. 29/637,090 amendment, erroneously injected into U.S. Appl. No. 29/635,713, interfered with this U.S. Appl. No. 29/635,713 by creating a double patent issue.

The subsequent amendment to U.S. Appl. No. 29/635,713, which has been submitted, should clear up the double patenting interference problem for this patent application.

* cited by examiner

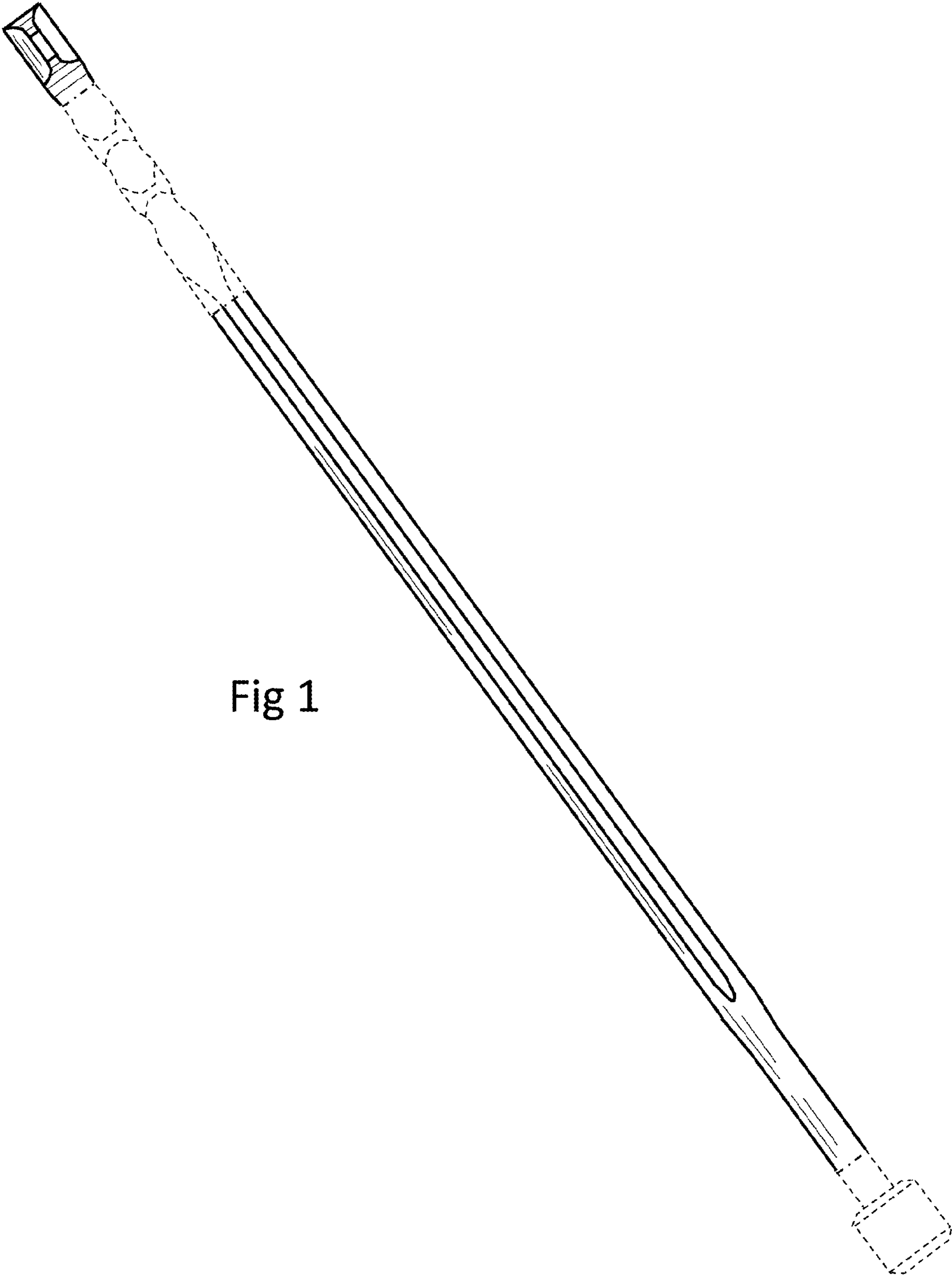


Fig 1

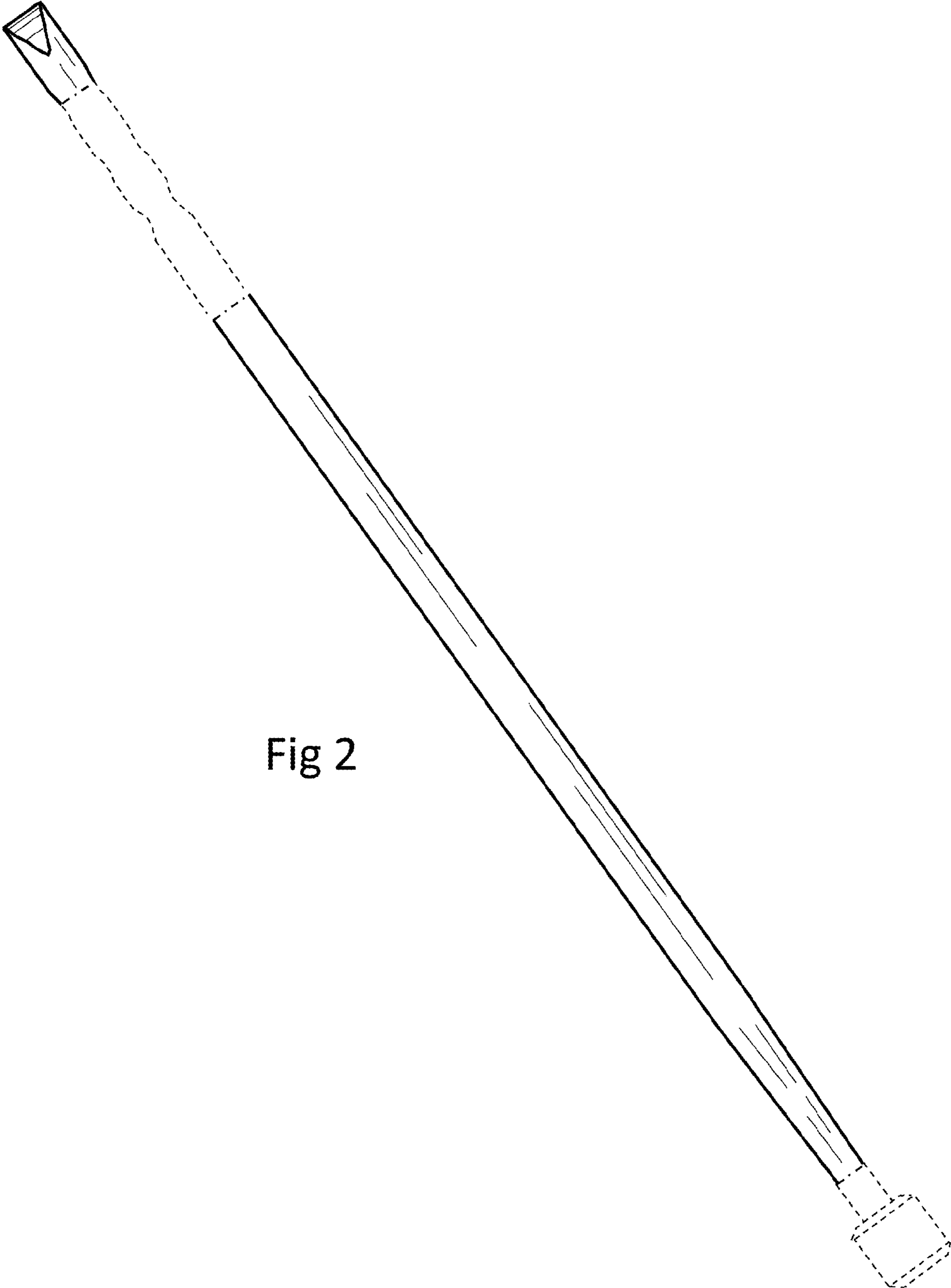
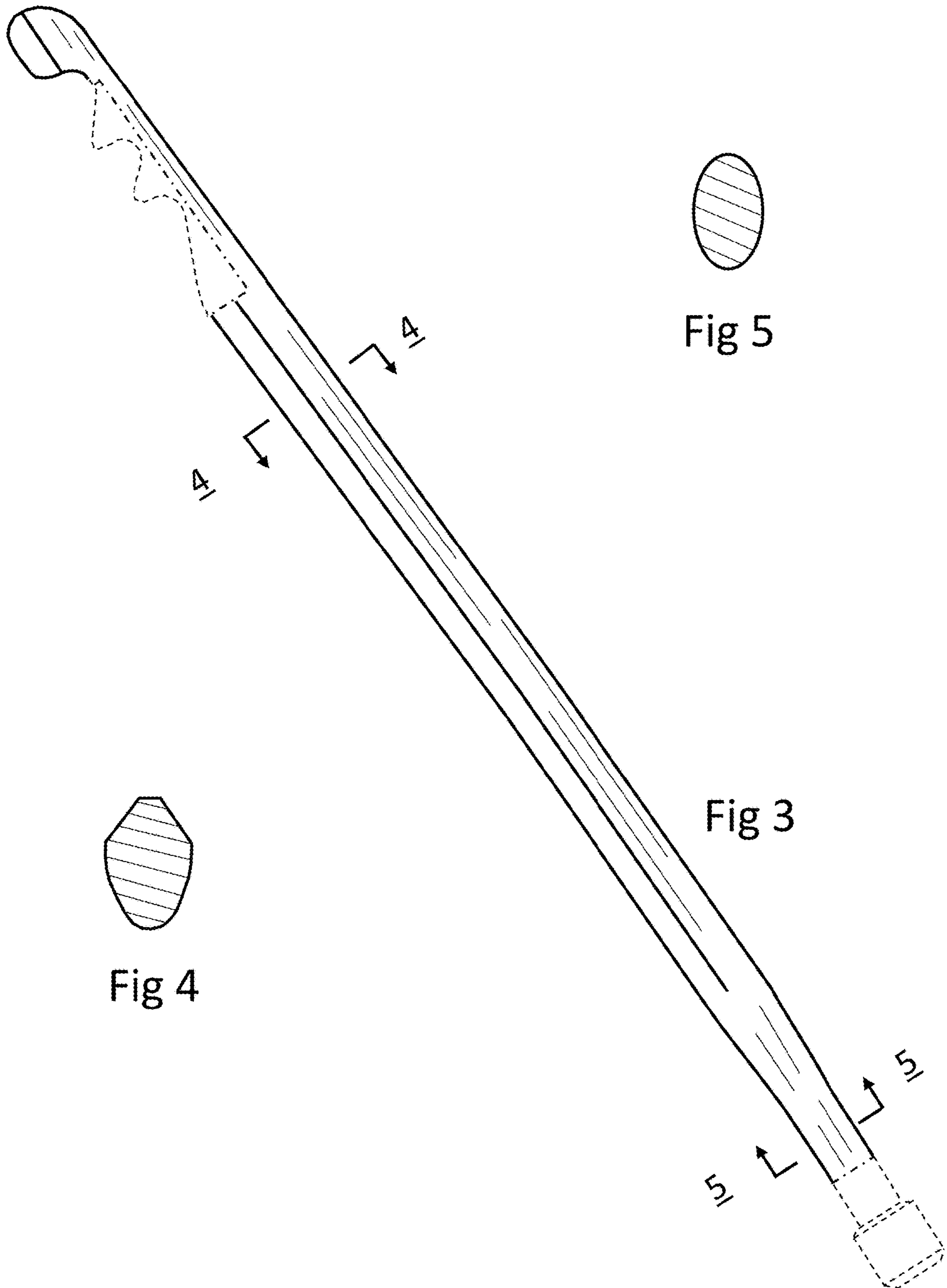


Fig 2



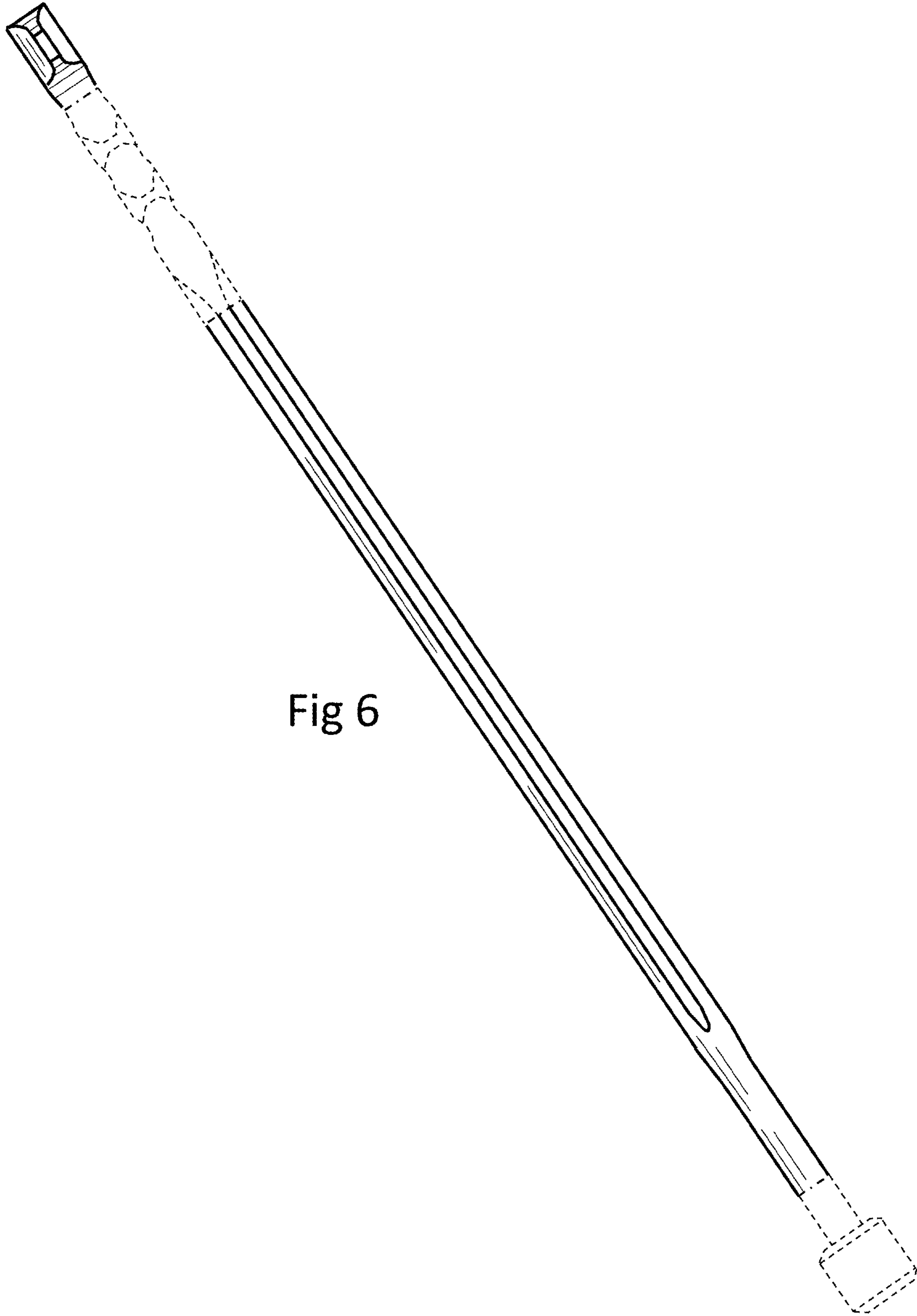


Fig 6

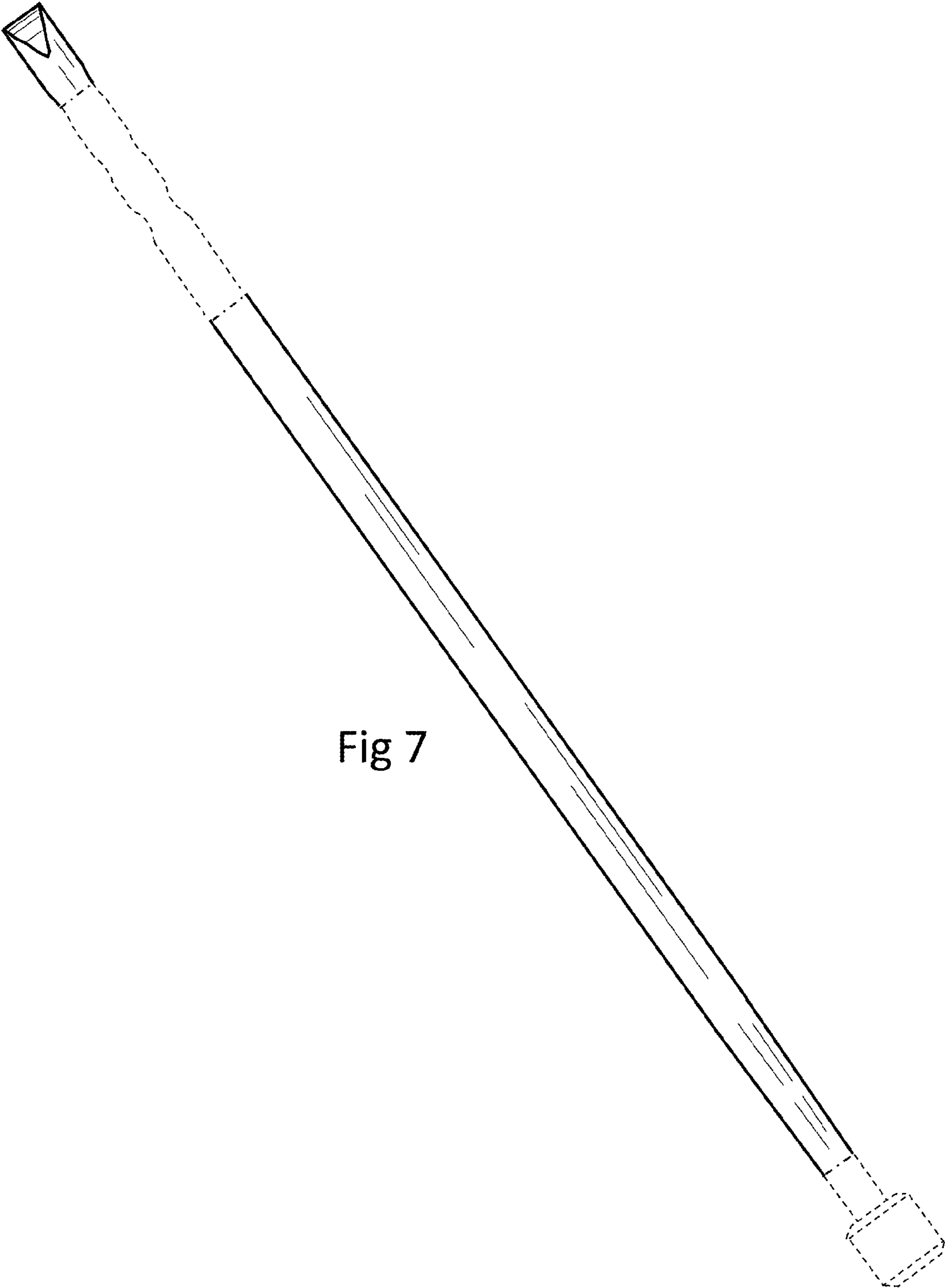


Fig 7

