



US00D876807S

(12) **United States Design Patent**
Shintani et al.

(10) **Patent No.:** **US D876,807 S**

(45) **Date of Patent:** **** Mar. 3, 2020**

- (54) **SET OF WALKING POLES**
- (71) Applicant: **URBAN POLING INC.**, North Vancouver, BC (CA)
- (72) Inventors: **Mandy Shintani**, North Vancouver (CA); **Jocelyn Clennett**, North Vancouver (CA); **Diana Oliver**, Etobicoke (CA)
- (73) Assignee: **URBAN POLING INC.**, North Vancouver, BC (CA)
- (**) Term: **15 Years**
- (21) Appl. No.: **29/586,597**
- (22) Filed: **Dec. 5, 2016**
- (30) **Foreign Application Priority Data**
 Jun. 4, 2016 (CA) 2332930
- (51) **LOC (12) Cl.** **03-03**
- (52) **U.S. Cl.**
USPC **D3/7**
- (58) **Field of Classification Search**
USPC D3/5, 6, 7, 10, 12, 13, 14, 15, 16;
D21/775
CPC A45B 9/00; A45B 2009/005; A45B
2009/007; A45B 9/02; A45B 2200/055;
A61H 3/06; A63C 11/221; A63C 11/222
See application file for complete search history.

- (56) **References Cited**
U.S. PATENT DOCUMENTS
 D185,293 S * 5/1959 Lord et al. D3/16
 D208,516 S * 9/1967 Schmid et al. D3/16
 3,879,048 A * 4/1975 Penney A63C 11/222
 280/821
 4,037,850 A * 7/1977 Haberlin A63C 11/222
 280/821

- 4,130,293 A * 12/1978 Hinterreiter A63C 11/222
280/822
- D269,103 S * 5/1983 Morgan D21/775
- 4,493,494 A * 1/1985 Feagin, Jr. A63C 11/222
135/76
- D279,026 S * 5/1985 Nordgren D21/775
- 4,613,156 A * 9/1986 Lajos A63C 11/222
16/421
- 4,645,235 A * 2/1987 Joseph A63C 11/222
16/DIG. 12
- D290,865 S * 7/1987 Rustad D21/775
- D291,909 S * 9/1987 Lajos D21/775
- 4,731,766 A * 3/1988 Bunyea G04B 47/00
280/816

(Continued)

Primary Examiner — Steven J Cxyz

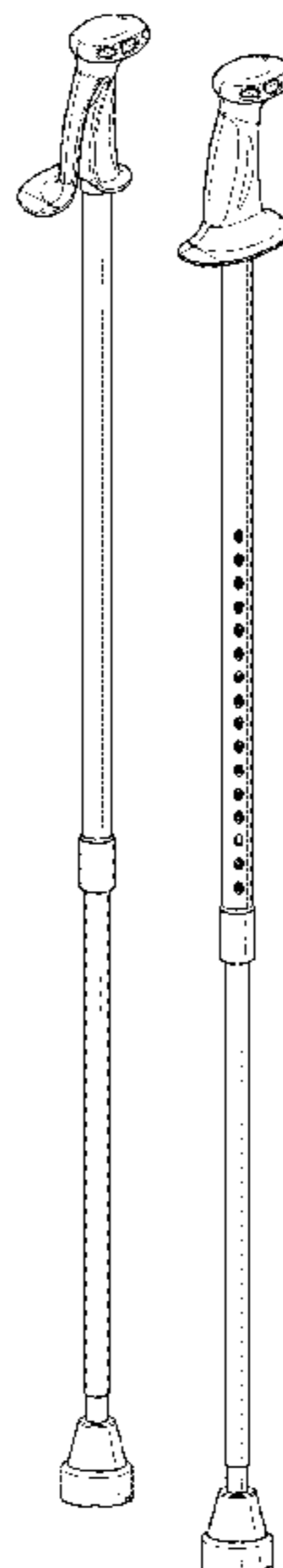
(57) **CLAIM**

The ornamental design for a set of walking poles, as shown and described.

DESCRIPTION

FIG. 1 is a right rear top perspective view of a set of walking poles;
 FIG. 2 is a left front bottom perspective view of just the right pole of the set of walking poles, shown separately for ease of disclosure
 FIG. 3 is another left front bottom perspective view of just the left pole of the set of walking poles, shown separately for ease of disclosure;
 FIG. 4 is a right side view of just the right pole of the set of walking poles, shown separately for ease of disclosure;
 FIG. 5 is a left side view of just the right pole of the set of walking poles, shown separately for ease of disclosure;
 FIG. 6 is a front view of the set of walking poles;
 FIG. 7 is a rear view thereof;
 FIG. 8 is a top view thereof; and,
 FIG. 9 is a bottom view thereof.

1 Claim, 8 Drawing Sheets



(56)

References Cited

U.S. PATENT DOCUMENTS

4,790,562	A *	12/1988	Skard	A63C 11/222	6,491,323	B1 *	12/2002	Kustritz	A63C 11/222
				280/821					280/821
D302,196	S *	7/1989	Flannery	D21/775	D471,702	S *	3/2003	You	D3/12
D302,287	S *	7/1989	Farentinos	D21/775	D540,028	S *	4/2007	You	D3/16
D327,110	S *	6/1992	Delery	D21/775	D552,340	S *	10/2007	Graves	D3/7
5,121,943	A *	6/1992	Proctor	A63C 11/222	D589,464	S *	3/2009	Ozoe	D13/168
				280/821	D590,146	S *	4/2009	You	D3/12
D339,468	S *	9/1993	Mertz	D3/16	D607,955	S *	1/2010	Lenhart	D21/775
5,248,163	A *	9/1993	Dondero	A63C 11/222	8,006,711	B2 *	8/2011	Pietrzak	A45B 9/00
				280/821					135/65
5,295,715	A *	3/1994	Van Blaricom	A63C 11/222	D693,113	S *	11/2013	Pearson	D3/12
				267/74	D698,140	S *	1/2014	Parker	D3/13
D375,025	S *	10/1996	Barton	D21/775	D717,896	S *	11/2014	Lewis	A63C 11/222
D388,146	S *	12/1997	Reed	D21/775					D21/775
D388,855	S *	1/1998	Reed	D21/775	D730,039	S *	5/2015	Kizaki	D3/7
5,758,388	A *	6/1998	Bjerke	A63C 11/222	D754,962	S *	5/2016	Pennington	D3/13
				16/110.1	D761,549	S *	7/2016	Pepper	D3/7
D396,517	S *	7/1998	Reed	D21/775	9,609,925	B2 *	4/2017	Lenhart	A45B 9/00
D397,393	S *	8/1998	Reed	D21/775	D814,783	S *	4/2018	Chen	D3/12
D404,785	S *	1/1999	Lenhart	D21/775	2010/0282282	A1 *	11/2010	Campbell	A45B 9/02
D419,629	S *	1/2000	Tamaribuchi	D21/775					135/77
D439,625	S *	3/2001	Tamaribuchi	D12/133	2012/0210930	A1 *	8/2012	Lupoff	G09F 17/00
6,264,242	B1 *	7/2001	Lenhart	A45B 9/02					116/173
				280/821	2014/0165336	A1 *	6/2014	Guyoton	A63C 11/222
D450,102	S *	11/2001	Lenhart	D21/775					16/430
D455,468	S *	4/2002	Lenhart	D21/775	2015/0251077	A1 *	9/2015	Pedersen	A63C 11/222
6,439,610	B1 *	8/2002	Pronzati	A63C 11/222					280/821
				24/191	2017/0231339	A1 *	8/2017	Kreis	A45B 9/02
									135/76

* cited by examiner

FIG. 1

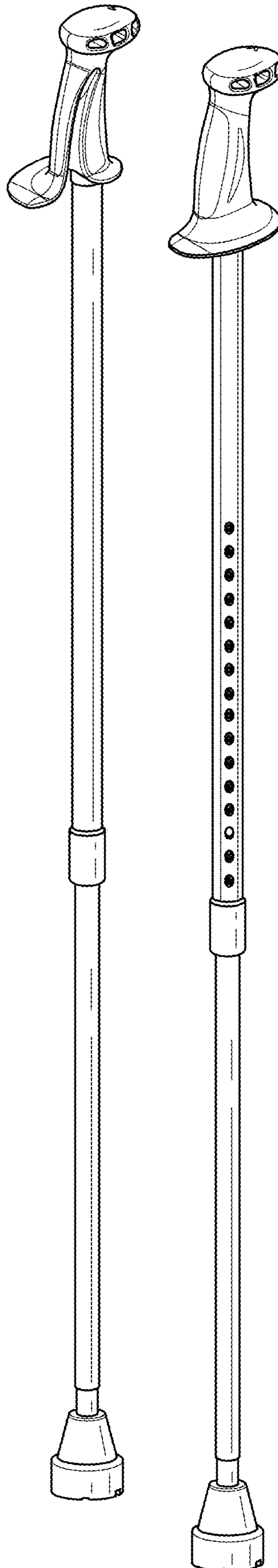


FIG. 2

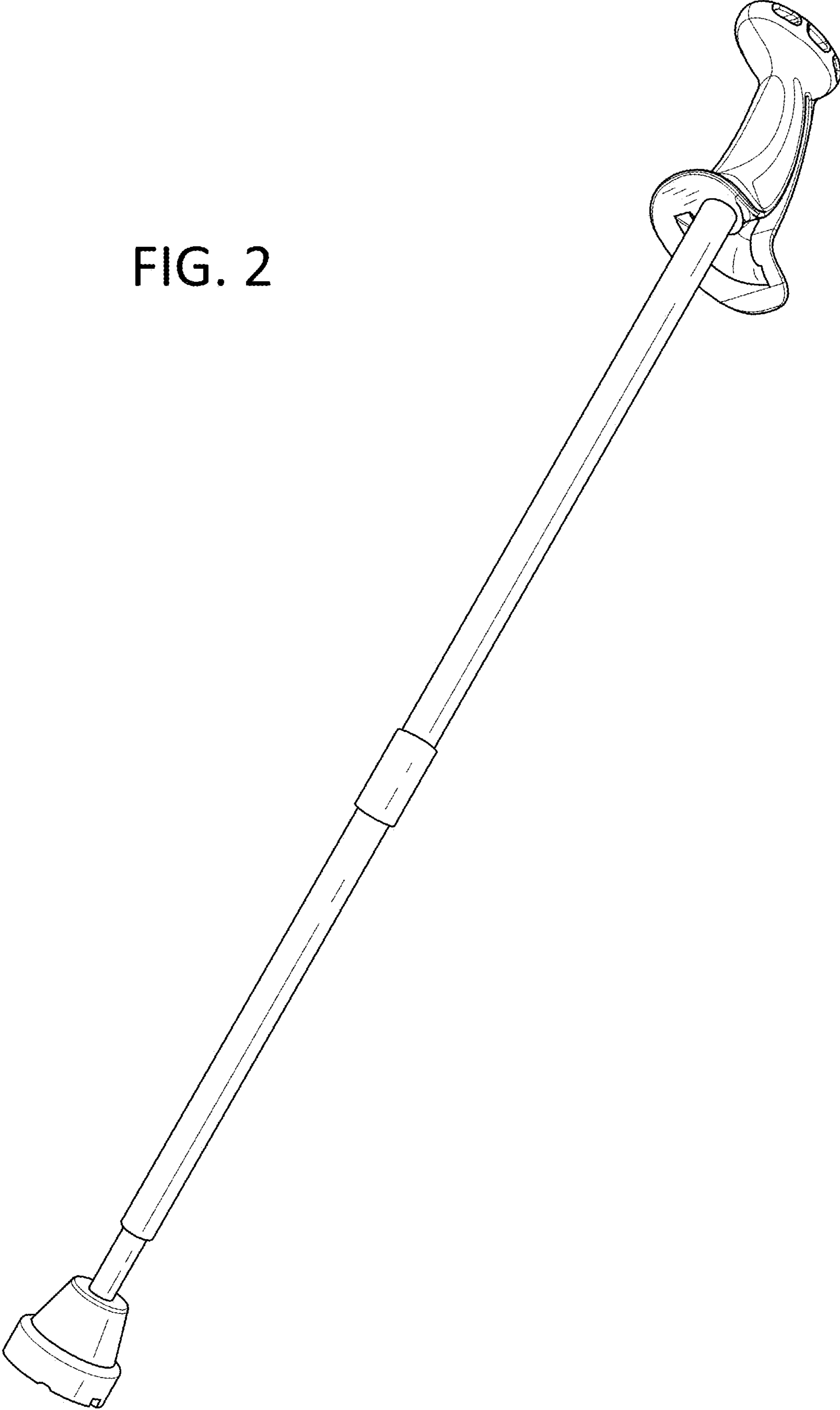
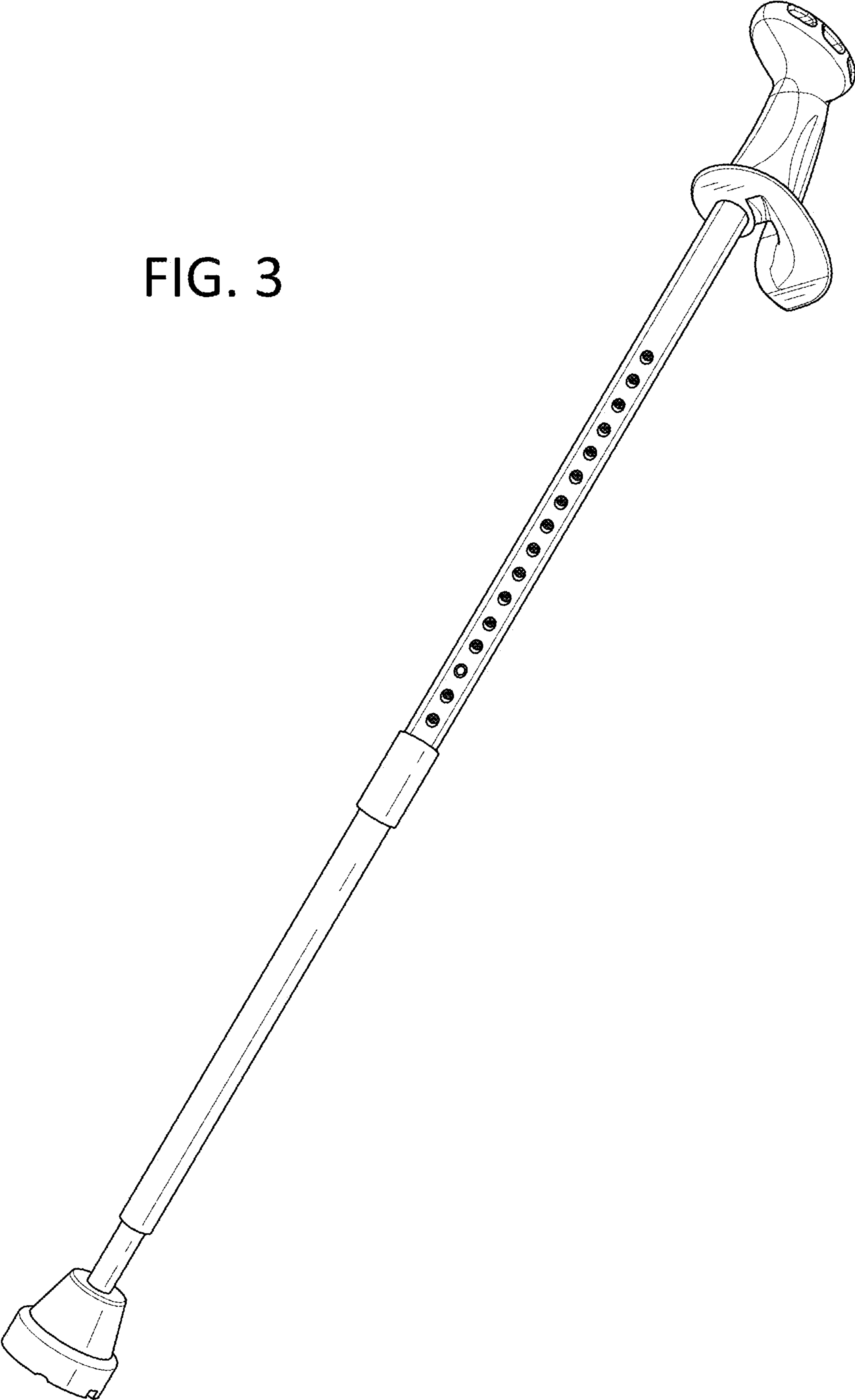


FIG. 3



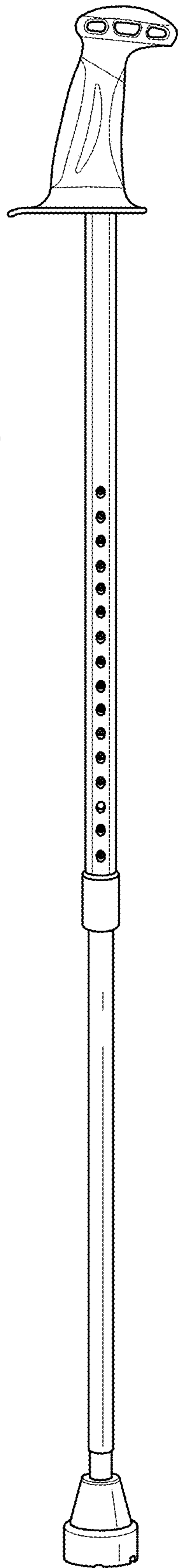


FIG. 4

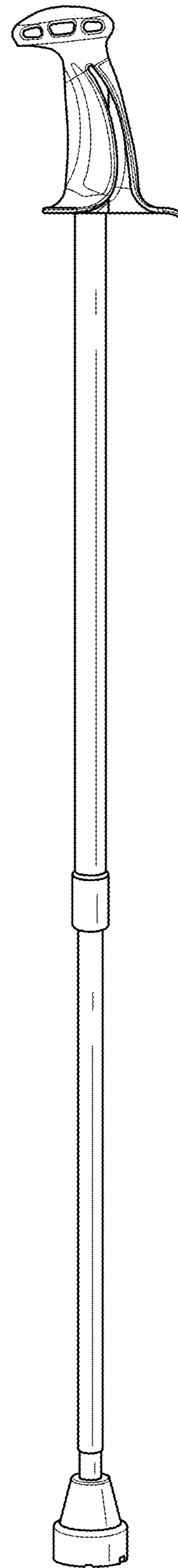


FIG. 5

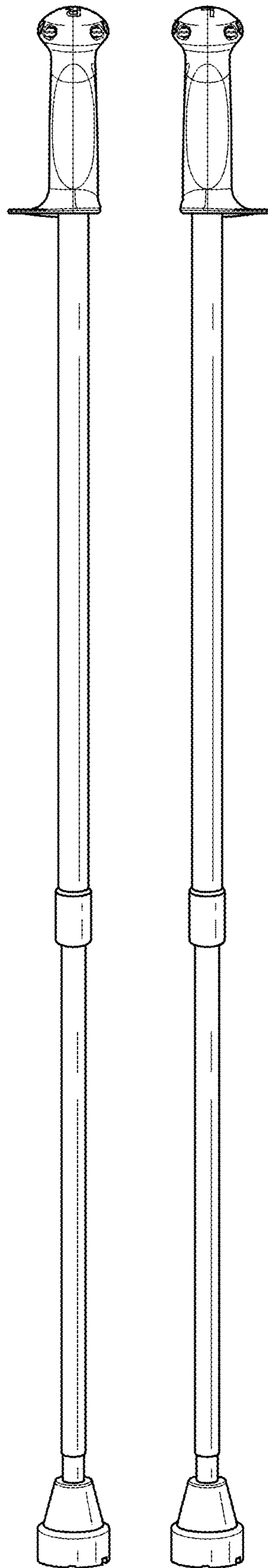
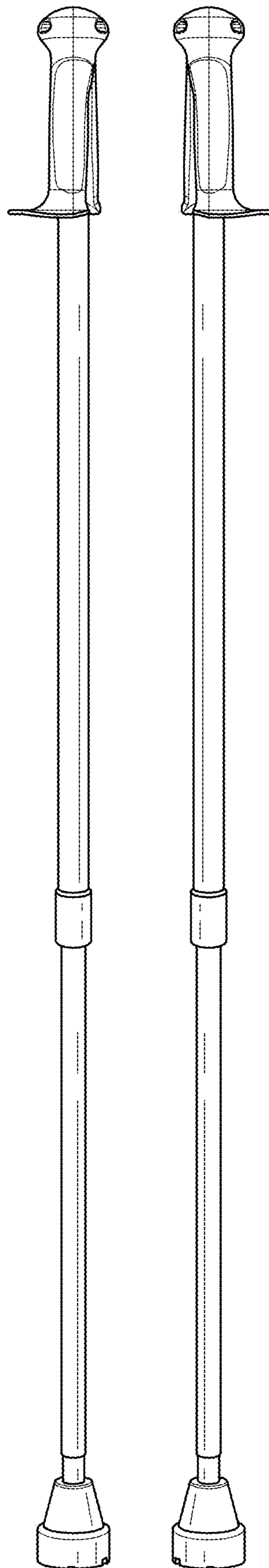


FIG. 6

FIG. 7



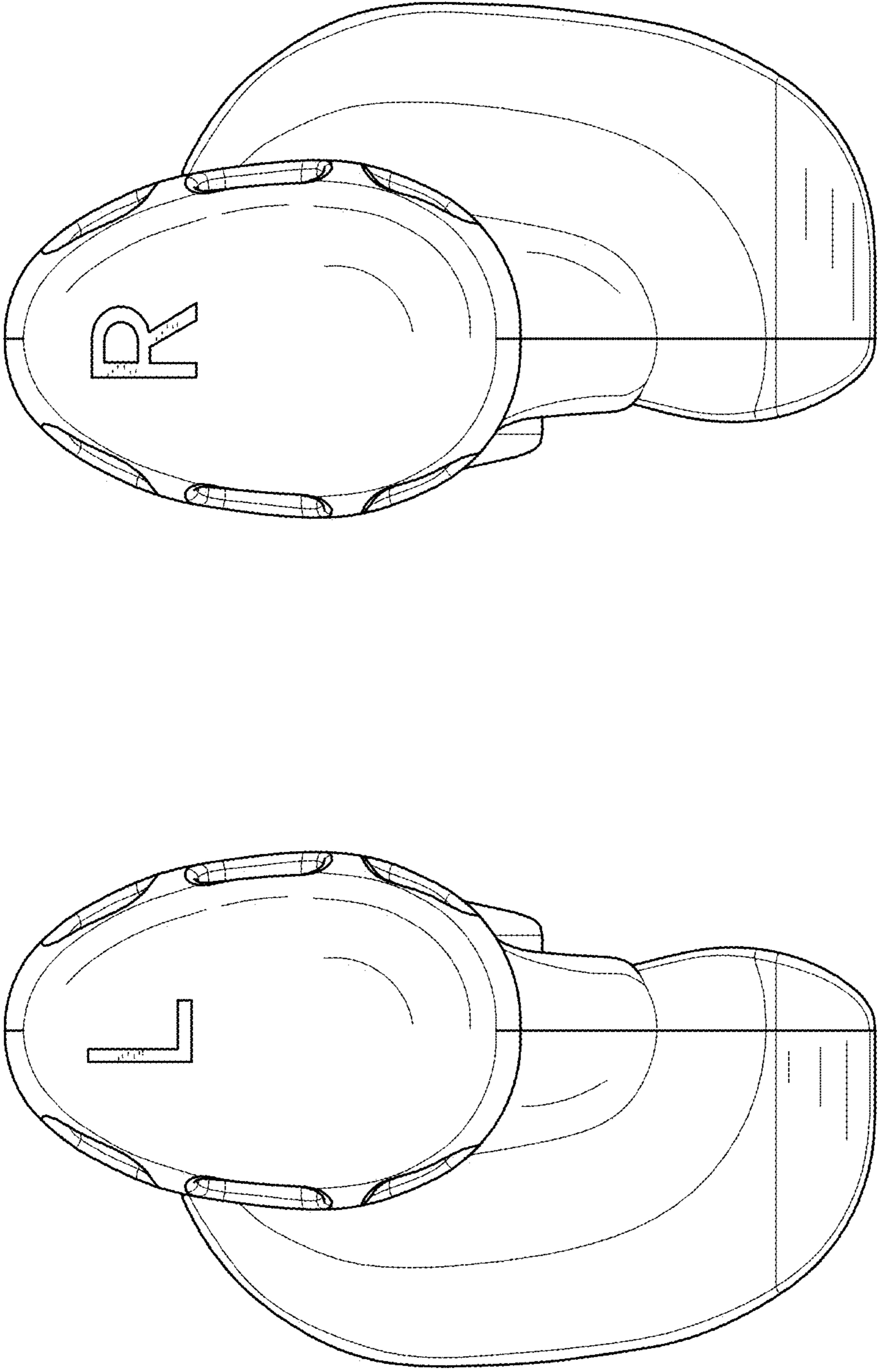


FIG. 8

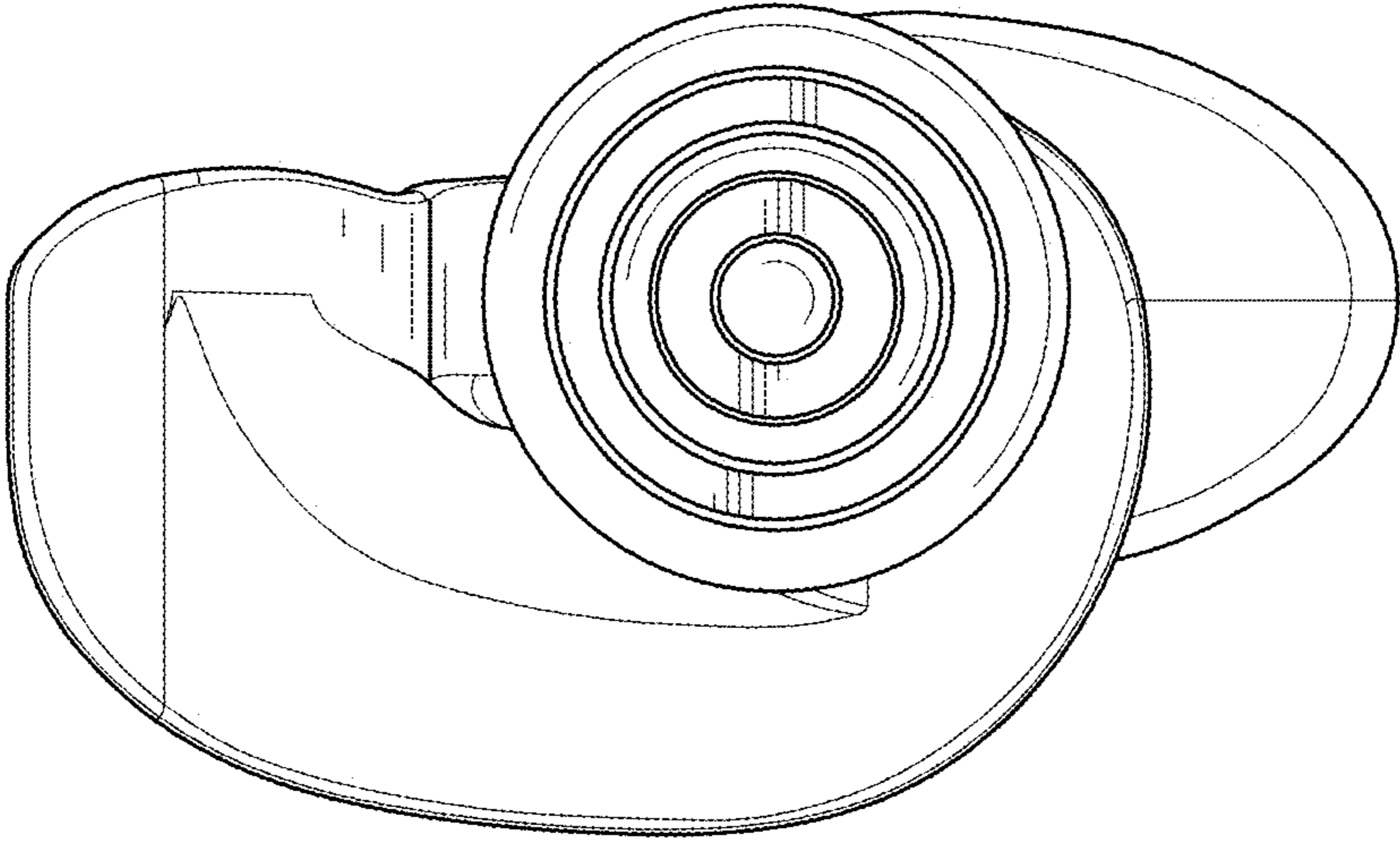
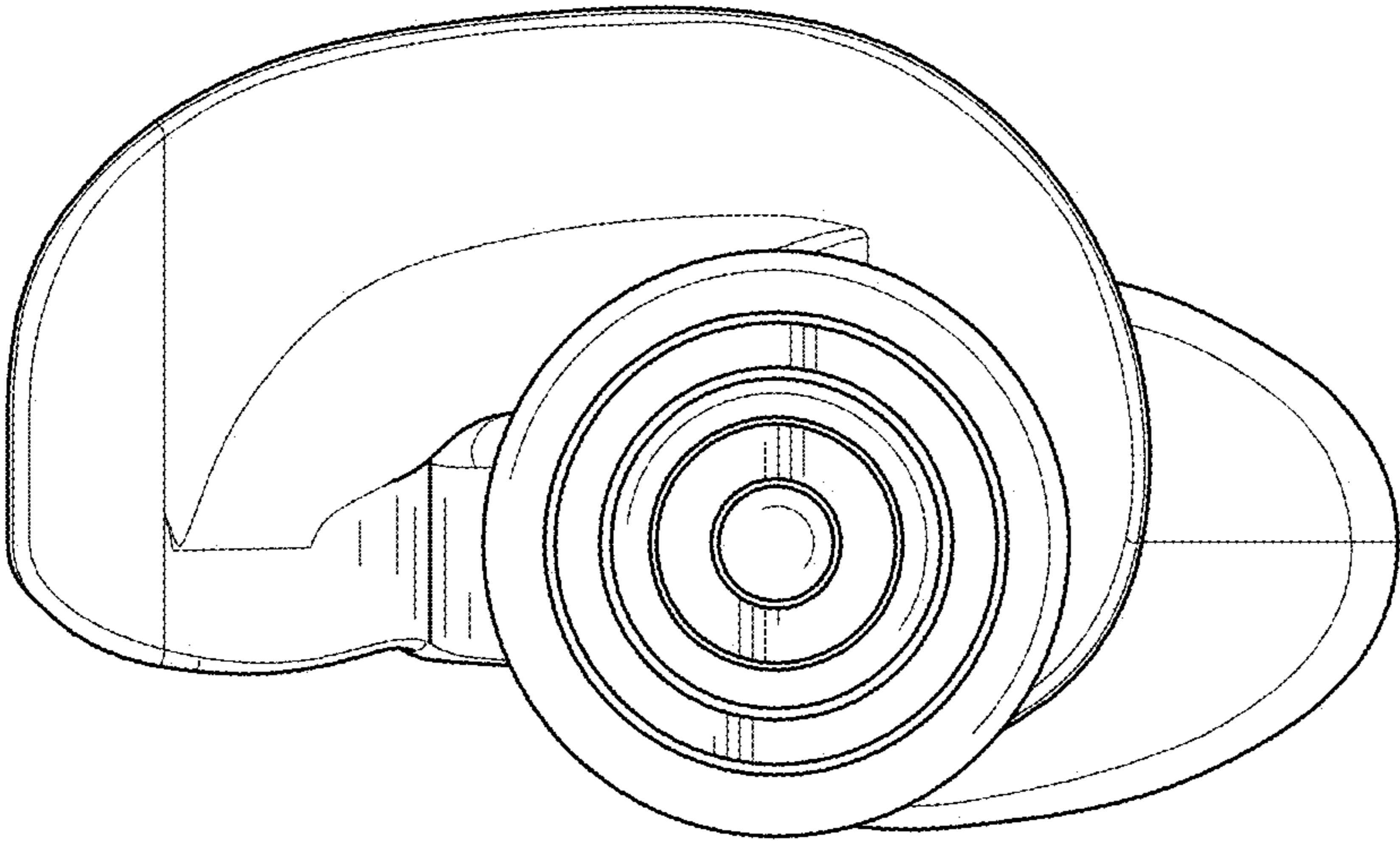


FIG. 9