



US00D876805S

(12) **United States Design Patent** (10) **Patent No.:** **US D876,805 S**
Akin et al. (45) **Date of Patent:** **** Mar. 3, 2020**

(54) **UMBRELLA WITH SOLAR PANELS** 4,527,721 A 7/1985 Goldstein
5,143,107 A * 9/1992 Kelley A45B 3/00
135/16

(71) Applicant: **ZON**, Manhattan Beach, CA (US) D336,982 S 7/1993 Johnson
D341,831 S * 11/1993 Mozdzanowski D14/168

(72) Inventors: **Sarah Akin**, Manhattan Beach, CA 5,273,062 A * 12/1993 Mozdzanowski A45B 3/00
(US); **David Johnson**, San Francisco, CA (US) 135/16
5,318,055 A * 6/1994 Olaniyan A45B 11/02
135/16

(73) Assignee: **ZON**, Redondo Beach, CA (US) 5,349,975 A * 9/1994 Valdner A45B 3/00
135/16

(**) Term: **15 Years** D373,465 S 9/1996 Chipman
D373,467 S 9/1996 Chipman
D373,468 S 9/1996 Dubinsky
D396,741 S 8/1998 Vitali et al.
5,868,152 A * 2/1999 Brown A45B 3/00
135/19

(21) Appl. No.: **29/648,609** D443,409 S 6/2001 Pilz et al.
6,830,058 B2 12/2004 Li

(22) Filed: **May 22, 2018**

Related U.S. Application Data

(62) Division of application No. 29/553,440, filed on Feb. 1, 2016, now Pat. No. Des. 818,258, which is a division of application No. 29/467,880, filed on Sep. 24, 2013, now Pat. No. Des. 748,905.

(51) **LOC (12) Cl.** **03-03**

(52) **U.S. Cl.**
USPC **D3/5**

(58) **Field of Classification Search**
USPC D3/5, 6, 10; D13/102, 118, 199;
D21/839
CPC A45B 11/00; A45B 17/00; A45B 19/00;
A45B 23/00; A45B 2023/0012; A45B
25/00; A45B 2025/003; A45B 2200/10;
A45B 2200/1009; A45B 2200/1027; H02J
7/0047; H02J 7/35

See application file for complete search history.

(56) **References Cited**

U.S. PATENT DOCUMENTS

1,397,789 A 11/1921 Stonestreet
D151,655 S 11/1948 Preaus
D248,042 S 5/1978 Ouelette
4,193,389 A 3/1980 Ku

(Continued)

OTHER PUBLICATIONS

Solar Powered Umbrella with USB Ports Product Reference, Apr. 5, 2013, 17 pages.

Primary Examiner — Steven J Czyz

(74) *Attorney, Agent, or Firm* — Aka Chan LLP

(57) **CLAIM**

The ornamental design for an umbrella with solar panels, as shown and described.

DESCRIPTION

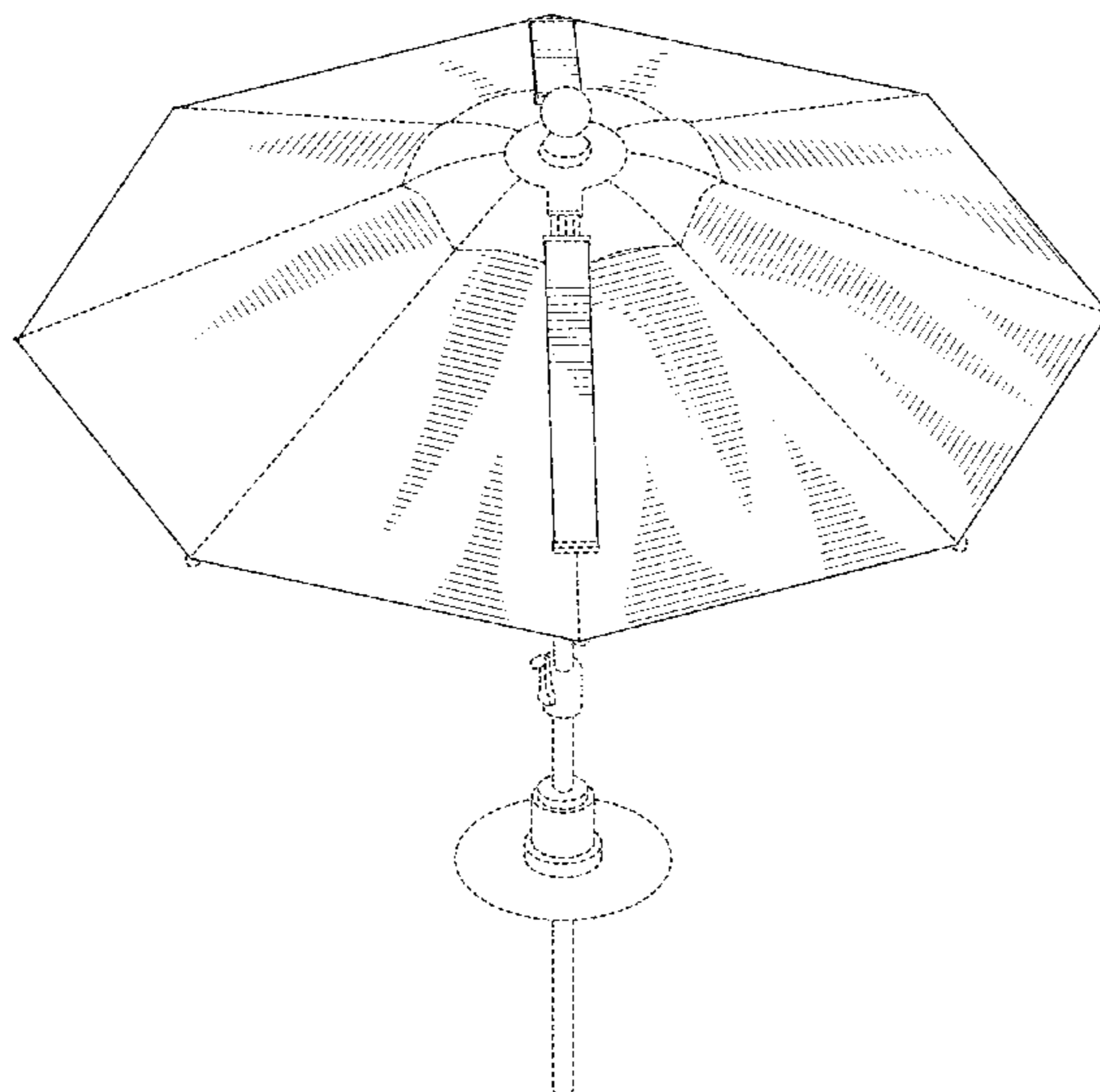
FIG. 1 shows a perspective view of a design for an umbrella with solar panels.

FIG. 2 shows a top view of FIG. 1; and,

FIG. 3 shows a side view of FIG. 1.

The broken lines in the figures depict portions of the umbrella with solar panels that form no part of the claimed design.

1 Claim, 3 Drawing Sheets



(56)

References Cited

U.S. PATENT DOCUMENTS

6,837,255 B2 * 1/2005 Bunch A45B 3/04
135/16
6,923,058 B2 8/2005 Nieman et al.
6,923,194 B2 * 8/2005 Li A45B 3/00
135/16
7,000,624 B2 * 2/2006 Chang A45B 3/04
135/16
7,013,903 B2 3/2006 Li
D530,269 S 10/2006 Fowler et al.
D561,460 S 2/2008 Peterson et al.
7,562,667 B2 * 7/2009 Li A45B 3/04
135/21
D600,200 S * 9/2009 Dimov D13/102
7,661,836 B1 * 2/2010 Naranjo A45B 3/04
362/102
D668,443 S * 10/2012 Sims, II D3/5
8,360,079 B2 1/2013 Li
D680,949 S * 4/2013 Swatek D13/102
D681,548 S 5/2013 Zhang et al.
8,497,656 B2 * 7/2013 Portis, Jr. A45B 3/00
136/243
D688,621 S 8/2013 Mozzardi et al.
8,561,625 B2 * 10/2013 Chen A45B 11/00
135/20.3
D693,561 S * 11/2013 Akin D13/102
D693,562 S * 11/2013 Akin D13/102
D693,563 S * 11/2013 Akin D13/102
D701,828 S 4/2014 Garrett-Shesch
D701,829 S 4/2014 Garrett-Shesch
D702,037 S * 4/2014 Akin D13/102
8,695,614 B2 * 4/2014 Chaimovski A45B 23/00
135/16
D703,939 S * 5/2014 Akin D13/102

D706,026 S * 6/2014 Akin D13/102
D724,524 S 3/2015 Garrett-Shesch
D727,253 S * 4/2015 Presley D13/102
D728,466 S * 5/2015 Ehram D13/102
9,088,181 B2 * 7/2015 Akin A45B 23/00
9,125,462 B2 * 9/2015 Akin B23P 15/26
D748,905 S * 2/2016 Akin D13/102
D749,313 S * 2/2016 Akin D13/102
D758,062 S * 6/2016 Akin D13/102
D758,298 S * 6/2016 Akin D13/102
D770,756 S * 11/2016 Akin D3/5
D770,757 S * 11/2016 Akin D3/10
D779,810 S * 2/2017 Akin D13/102
D783,522 S 4/2017 Cameron
9,706,834 B1 * 7/2017 Taylor A45B 23/00
D799,199 S * 10/2017 Akin D3/10
9,820,540 B2 * 11/2017 Pan A45B 25/00
D813,154 S * 3/2018 Akin D13/102
D818,258 S * 5/2018 Akin D3/5
10,010,143 B2 * 7/2018 Kong A45B 3/04
10,045,613 B2 * 8/2018 Wei A47B 37/04
10,051,931 B2 * 8/2018 Zadi A45B 3/04
10,153,656 B2 * 12/2018 Volin H02J 7/35
10,159,316 B2 * 12/2018 Gharabegian A45B 23/00
D840,671 S * 2/2019 Akin D3/5
10,250,817 B2 * 4/2019 Gharabegian H04N 5/247
D848,140 S * 5/2019 Akin D3/10
D850,093 S * 6/2019 Akin D3/5
10,306,959 B2 * 6/2019 Rosedale A45B 23/00
2005/0161067 A1 7/2005 Hollins
2009/0058354 A1 3/2009 Harrison
2014/0028242 A1 * 1/2014 Akin A45B 23/00
320/101
2015/0216273 A1 * 8/2015 Akin B23P 15/26
135/16

* cited by examiner

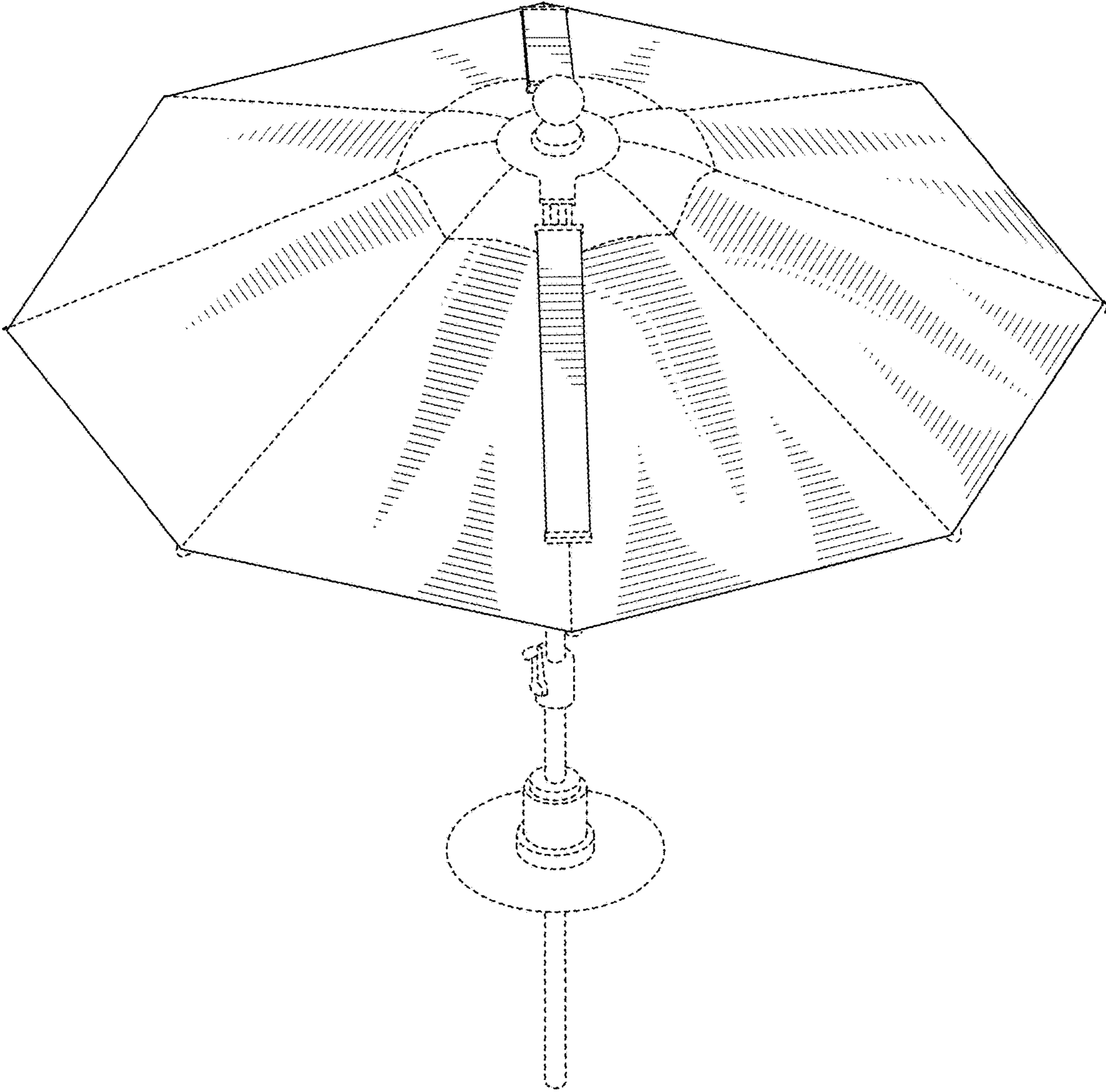


FIG. 1

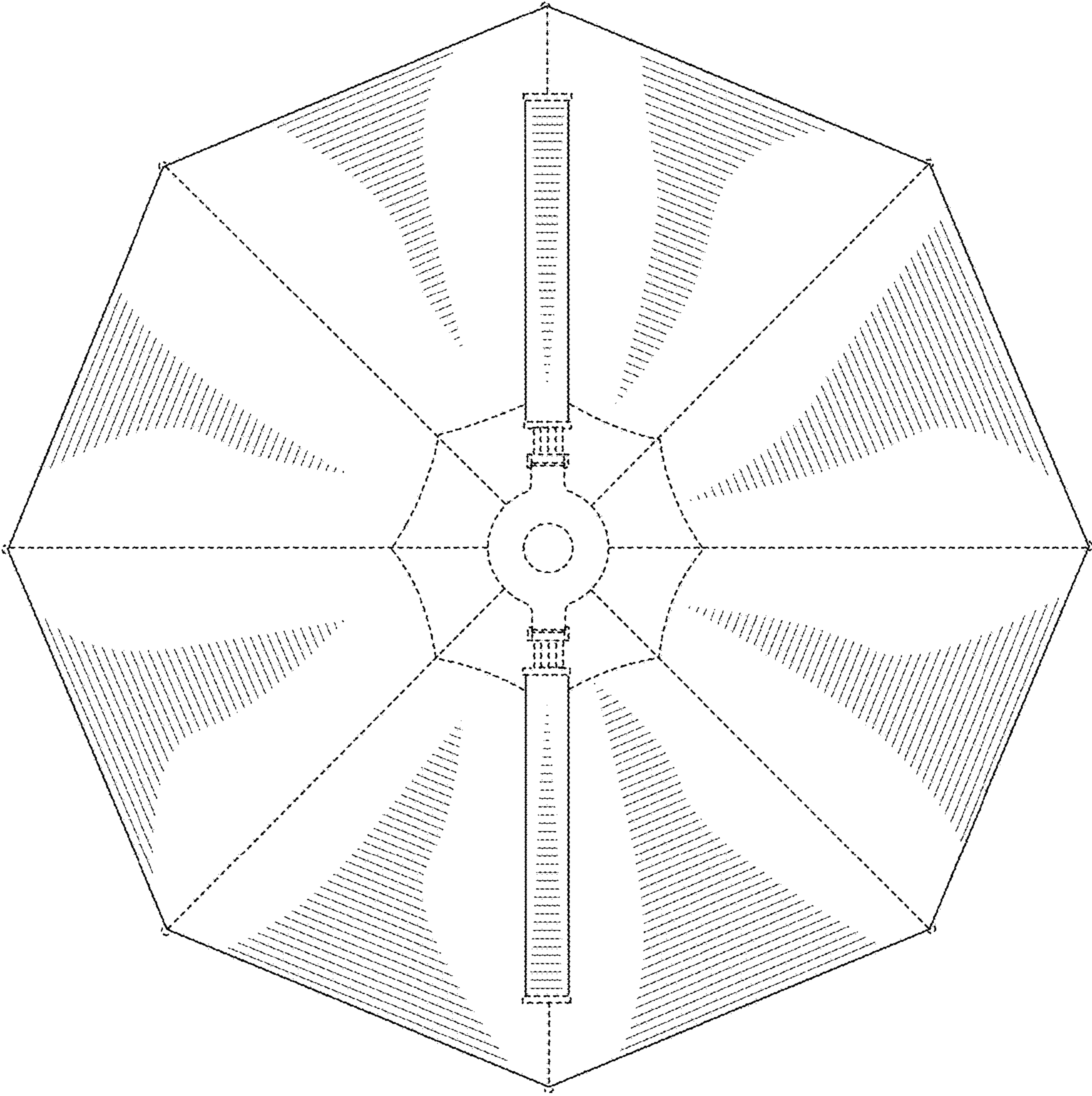


FIG. 2

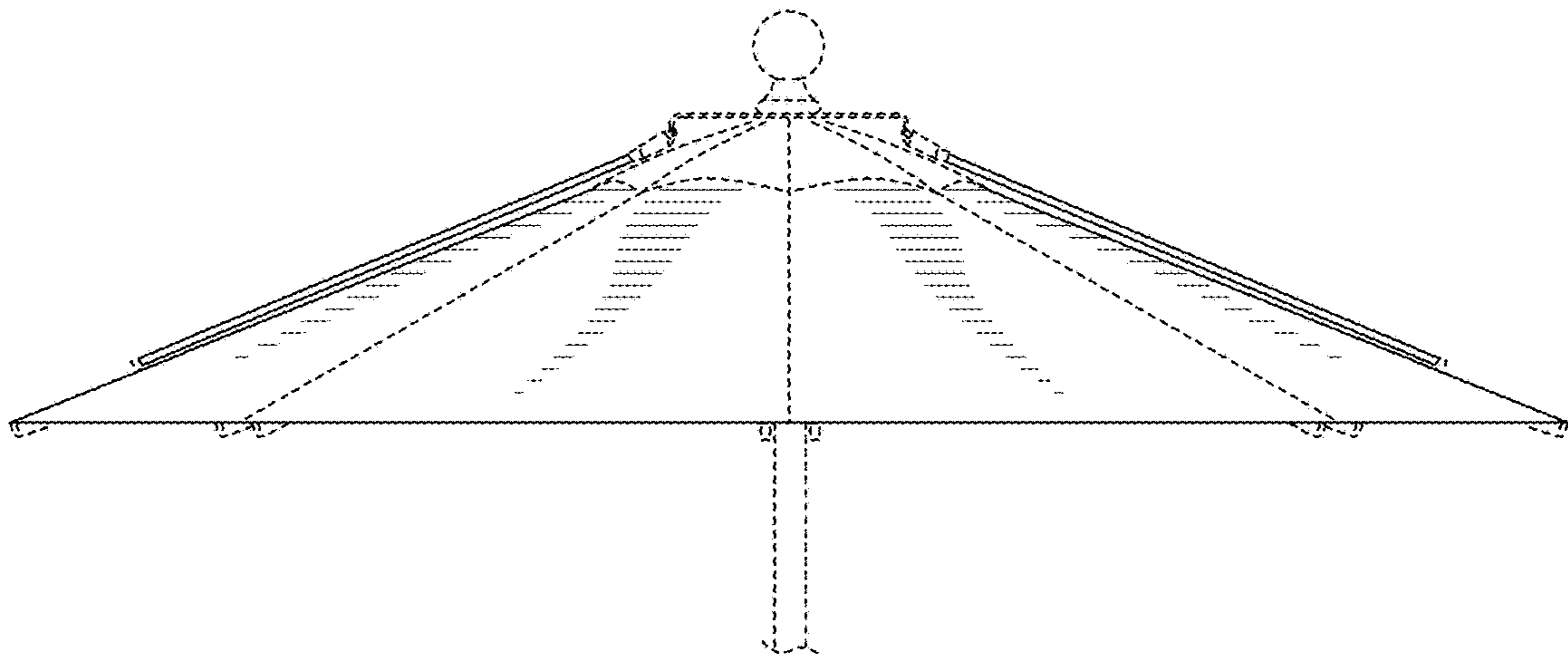


FIG. 3