



US00D876804S

(12) **United States Design Patent**
Hendrix et al.

(10) **Patent No.:** **US D876,804 S**

(45) **Date of Patent:** **** *Mar. 3, 2020**

- (54) **VIEW SAVER UMBRELLA**
- (71) Applicants: **Marilyn Teresa Hendrix**, Seal Rock,
OR (US); **Barry Blaine Hendrix**, Seal
Rock, OR (US)
- (72) Inventors: **Marilyn Teresa Hendrix**, Seal Rock,
OR (US); **Barry Blaine Hendrix**, Seal
Rock, OR (US)
- (*) Notice: This patent is subject to a terminal dis-
claimer.
- (**) Term: **15 Years**
- (21) Appl. No.: **29/552,663**
- (22) Filed: **Jan. 25, 2016**
- (51) **LOC (12) Cl.** **03-03**
- (52) **U.S. Cl.**
USPC **D3/5**
- (58) **Field of Classification Search**
USPC D3/5, 6, 10
CPC A45B 11/00; A45B 15/00; A45B 17/00;
A45B 25/00; A45B 25/22
See application file for complete search history.

D627,554 S *	11/2010	Elder	D3/5
D627,555 S *	11/2010	Elder	D3/5
D627,961 S *	11/2010	Elder	D3/5
D637,389 S *	5/2011	Beaulieu	D3/10
D664,760 S *	8/2012	Elder	D3/5
D664,761 S *	8/2012	Horowitz	D3/6
D668,444 S *	10/2012	Jang	D3/6
D669,677 S *	10/2012	Cohen	D3/5
D696,510 S *	12/2013	Su	D3/5
D707,037 S *	6/2014	Tetsuro	D3/5
D720,524 S *	1/2015	Tetsuro	D3/13
D731,165 S *	6/2015	Principi	D3/5
D736,515 S *	8/2015	Chaklos	D3/5
D737,565 S *	9/2015	Di Cesare	D3/5
D741,590 S *	10/2015	Varga	D3/5
2010/0258151 A1 *	10/2010	Vogt	A45B 25/20 135/33.7

* cited by examiner

Primary Examiner — Steven J Czyz

(74) *Attorney, Agent, or Firm* — Schwabe, Williamson & Wyatt, P.C.

(57) **CLAIM**

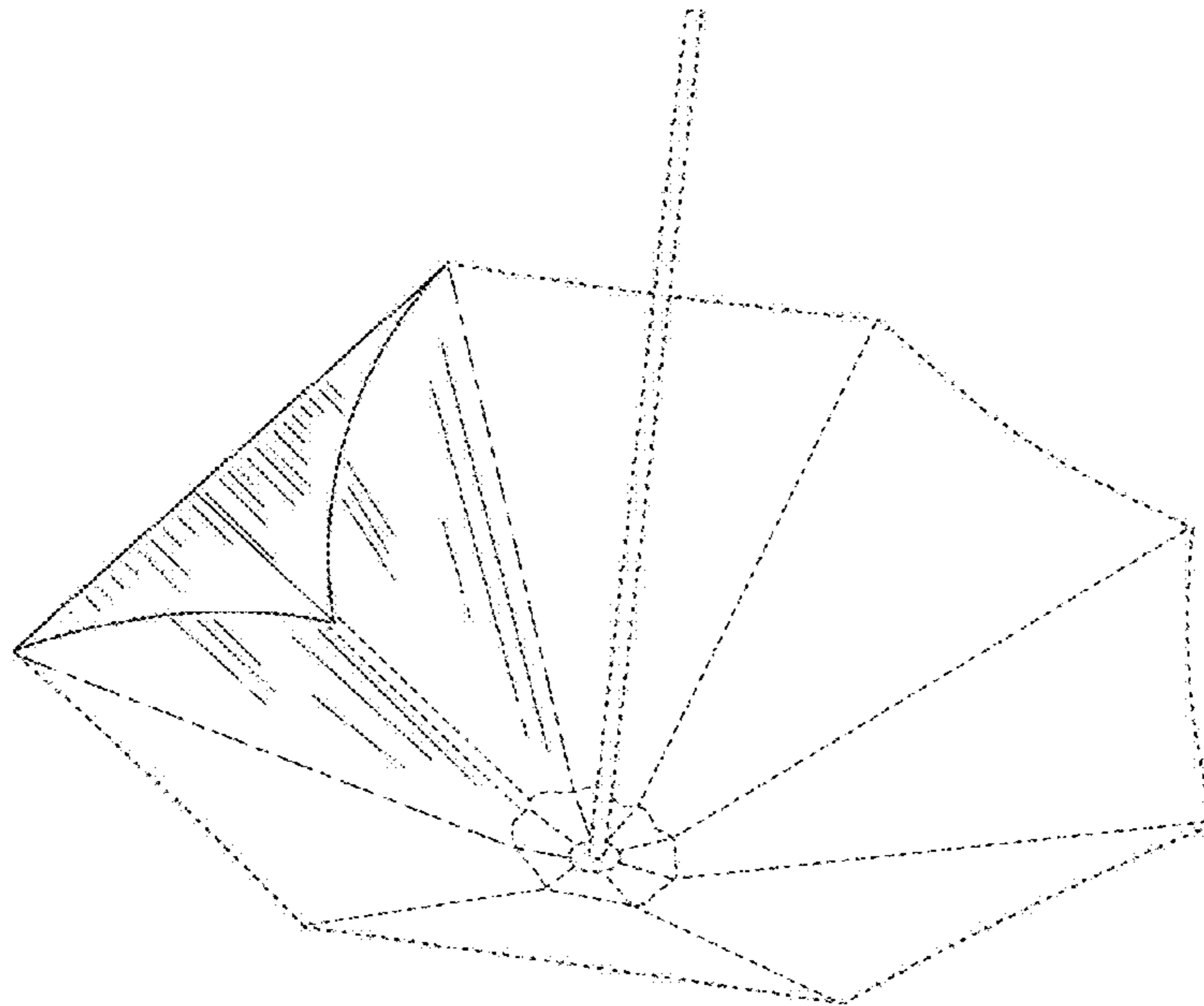
We claim the ornamental design for a view saver umbrella, as shown and described.

DESCRIPTION

FIG. 1 is a top plan view of a view saver umbrella, shown in a folded state and showing our new design;
 FIG. 2 is a bottom view of the view saver umbrella, shown in a folded state; and,
 FIG. 3 is a top perspective view of the view saver umbrella, shown in an open state.
 The broken lines depict portions of the view saver umbrella that form no part of the claimed design.

1 Claim, 3 Drawing Sheets

- (56) **References Cited**
U.S. PATENT DOCUMENTS
- | | | | | |
|--------------|---------|--------------------|-------|----------|
| D373,467 S * | 9/1996 | Chipman | | 135/33.2 |
| D390,696 S * | 2/1998 | Bauman | | D3/5 |
| D419,759 S * | 2/2000 | Goudarzi | | D3/5 |
| D503,036 S * | 3/2005 | Di Cesare | | D3/5 |
| D509,954 S * | 9/2005 | Waltz | | D3/5 |
| D546,551 S * | 7/2007 | de Oliveira Santos | | D3/5 |
| D627,553 S * | 11/2010 | Elder | | D3/5 |



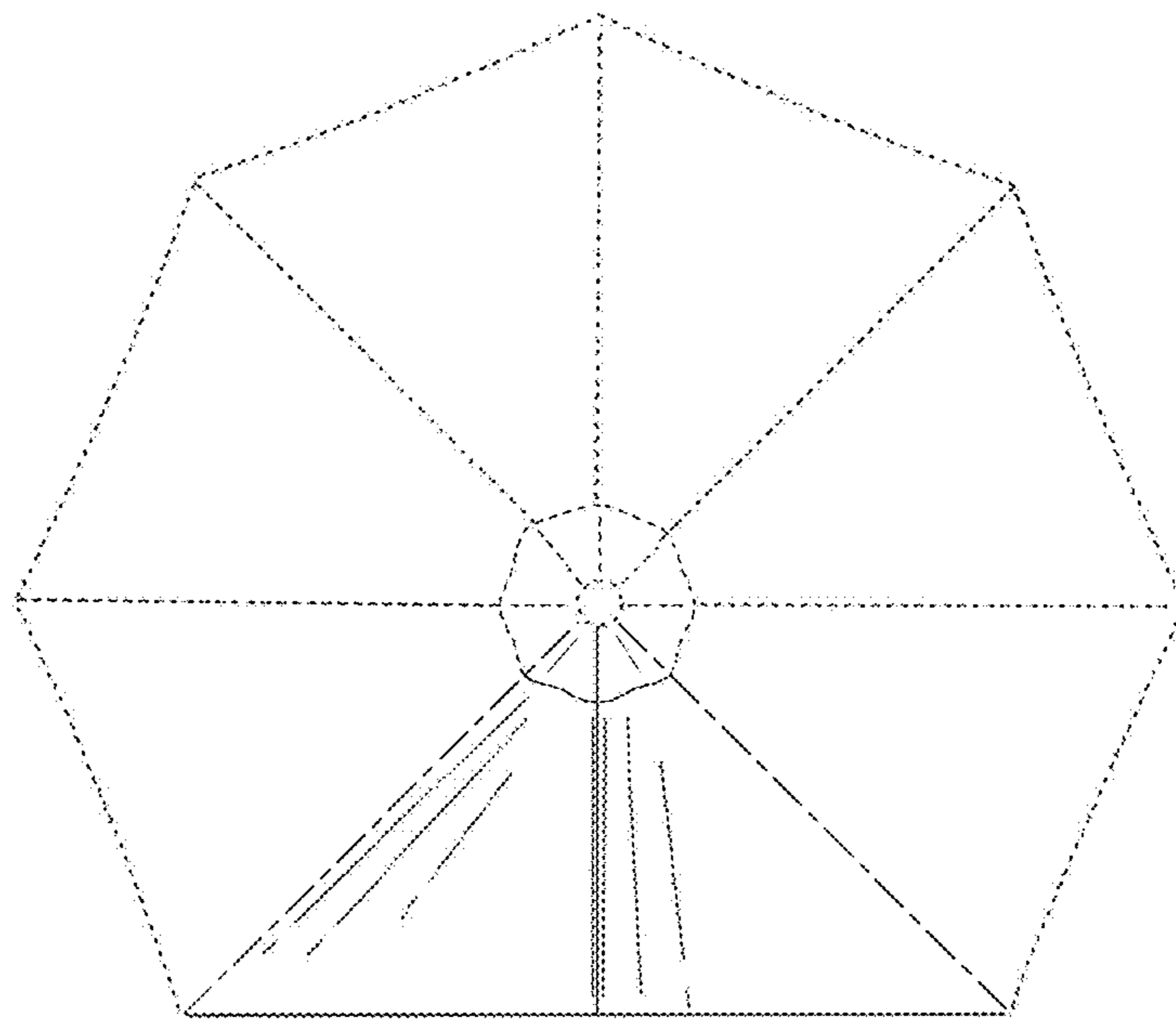


FIG. 1

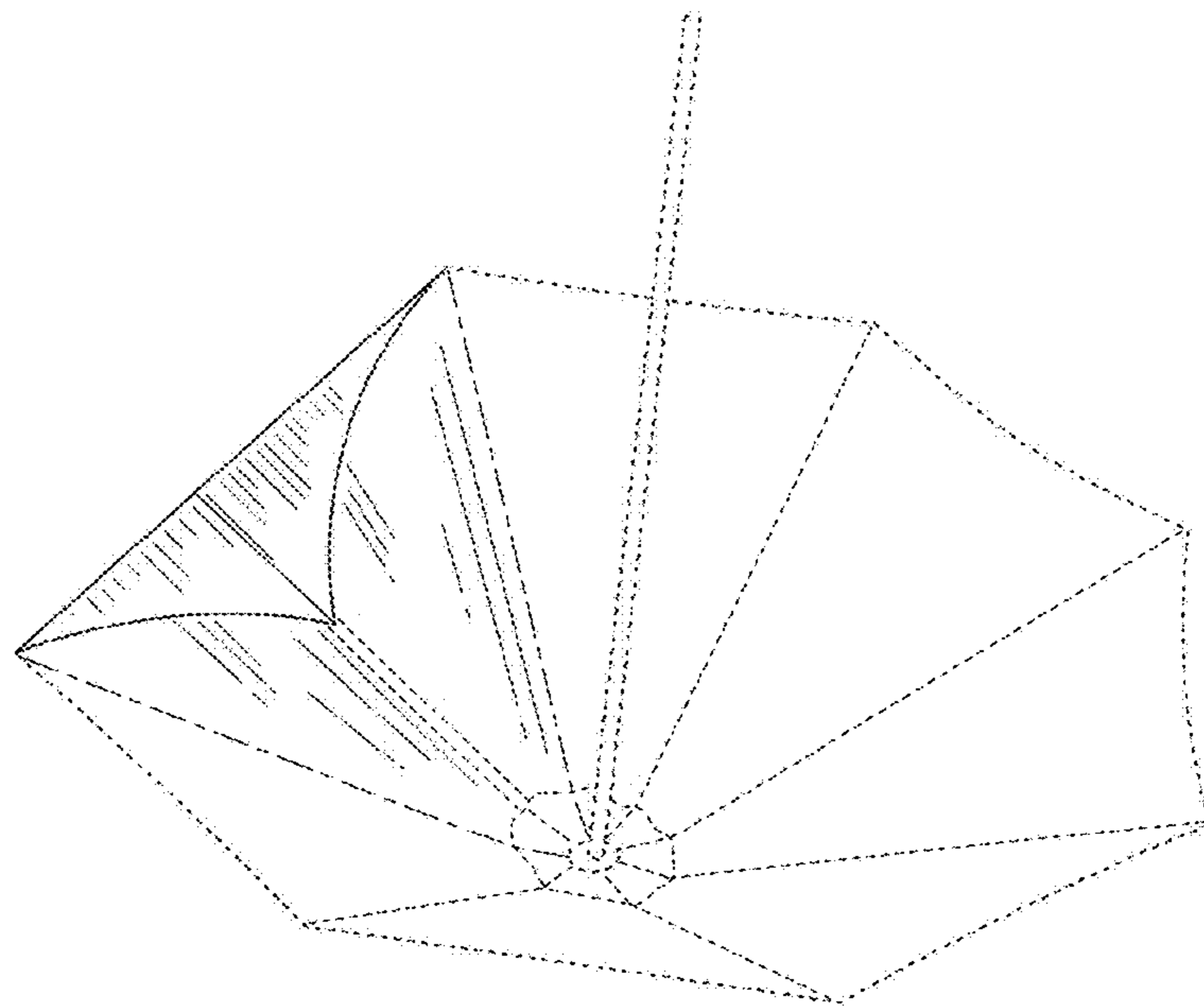


FIG. 2

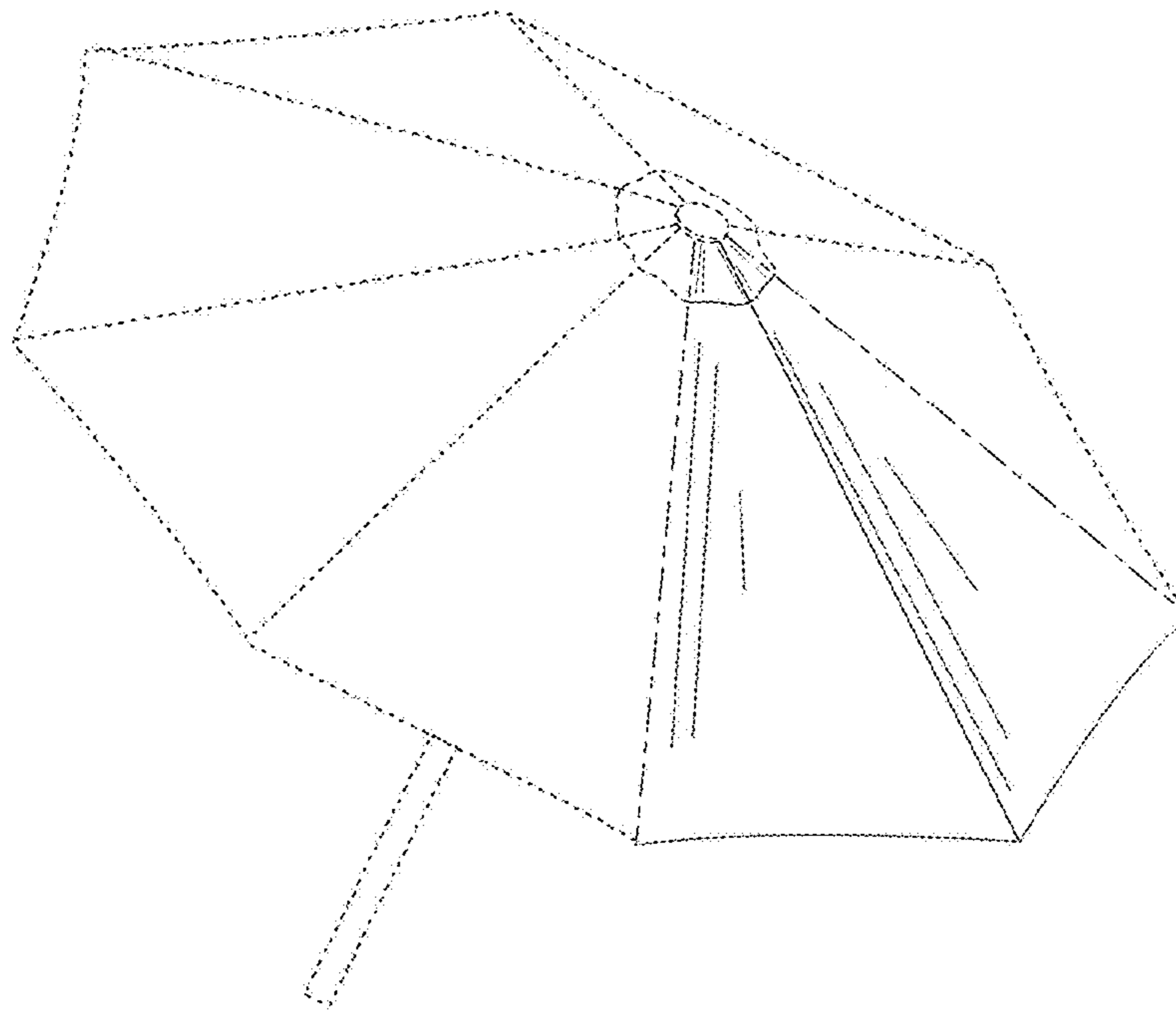


FIG. 3