

US00D876797S

(12) **United States Design Patent**
Aden

(10) **Patent No.:** **US D876,797 S**
(45) **Date of Patent:** **** Mar. 3, 2020**

- (54) **SHOE**
- (71) Applicant: **NIKE, Inc.**, Beaverton, OR (US)
- (72) Inventor: **Shamees Aden**, Portland, OR (US)
- (73) Assignee: **NIKE, Inc.**, Beaverton, OR (US)
- (**) Term: **15 Years**
- (21) Appl. No.: **29/688,305**
- (22) Filed: **Apr. 19, 2019**
- (51) **LOC (12) Cl.** **02-04**
- (52) **U.S. Cl.**
USPC **D2/972**
- (58) **Field of Classification Search**
USPC D2/896, 897, 902, 904, 906-908, 946,
D2/969, 972-974; D5/47, 49, 50, 53, 54,
D5/56, 60
CPC ... A43B 13/181; A43B 13/141; A43B 13/186;
A43B 13/188; A43B 23/00; A43B 23/02;
A43B 5/00; A43B 23/26; A43B 1/04;
A43B 11/14; A43B 7/00; A43B 3/12;
A43C 3/00; A43C 5/00; A43C 7/00;
A43C 11/004
See application file for complete search history.

D299,787 S	2/1989	Bates
D301,935 S	7/1989	Jonah
D302,763 S	8/1989	Kilgore et al.
D304,876 S	12/1989	Brown et al.
D329,528 S	9/1992	Hatfield
D329,532 S	9/1992	Greene
D330,799 S	11/1992	Hatfield
D345,450 S	3/1994	Kusuki et al.
D355,755 S	2/1995	Kilgore
D365,923 S	1/1996	Crowley
D374,337 S	10/1996	Murai et al.
D407,540 S	4/1999	Dolinsky
D409,361 S	5/1999	Greenberg
D412,238 S	7/1999	Greenberg
D424,287 S	5/2000	Edwards
D435,334 S	12/2000	Wilson
D466,276 S	12/2002	Tomczak
D487,186 S *	3/2004	Maatita D2/972

(Continued)

OTHER PUBLICATIONS

Nike Footwear Catalog, 2015 Fall Boutique NA, p. 348, published Nov. 2014, NIKE, Inc., USA.

(Continued)

Primary Examiner — Dominic V Simone
(74) *Attorney, Agent, or Firm* — Banner & Witcoff, Ltd.

(57) **CLAIM**

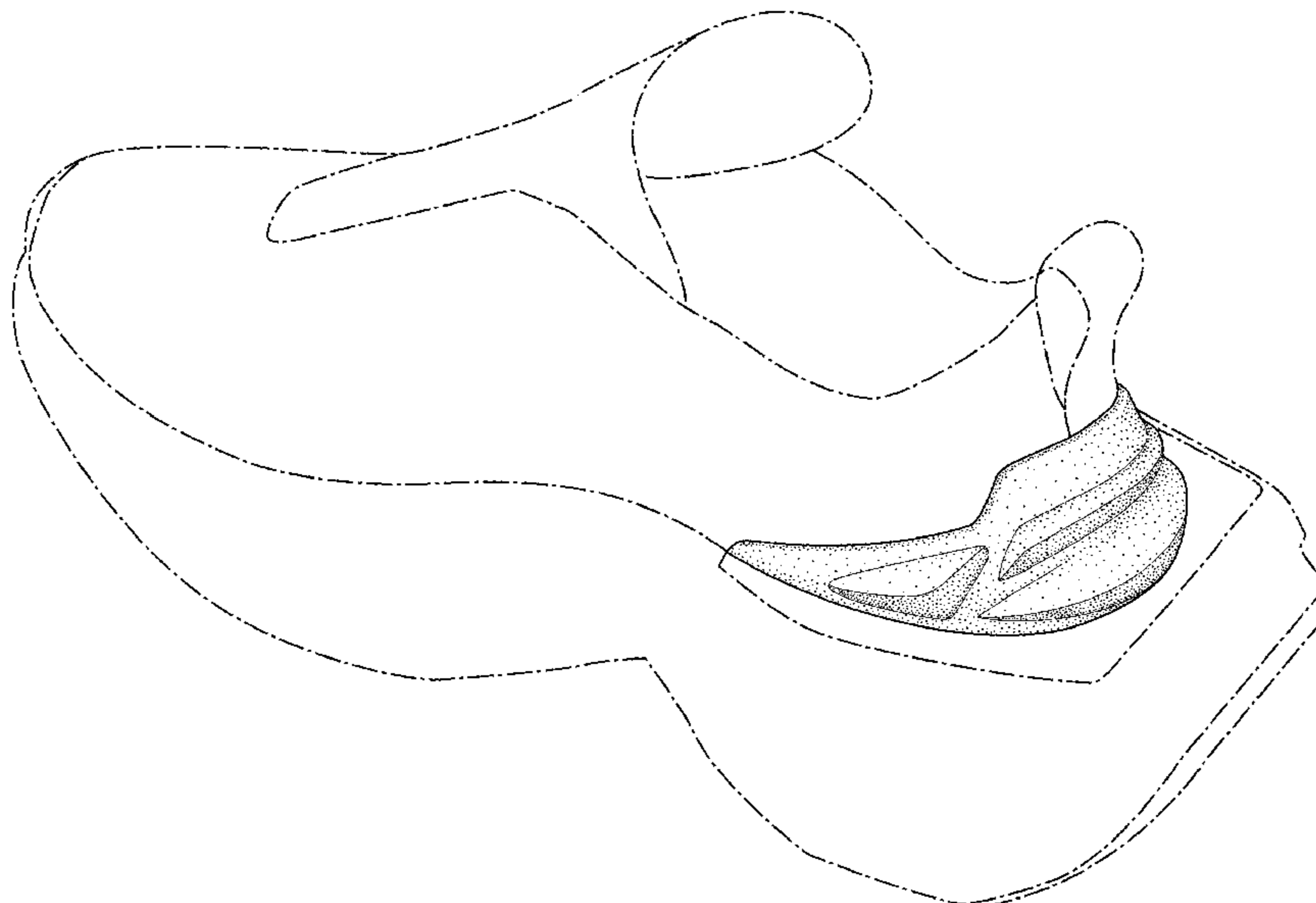
The ornamental design for a shoe, as shown and described.

DESCRIPTION

FIG. 1 is a rear perspective view of a shoe showing my new design;
FIG. 2 is a side view thereof;
FIG. 3 is a rear view thereof;
FIG. 4 is an opposite side view thereof; and,
FIG. 5 is a second rear perspective view thereof.
The broken lines depicting the remainder of the shoe show features that form no part of the claimed design.

1 Claim, 5 Drawing Sheets

- (56) **References Cited**
U.S. PATENT DOCUMENTS
- D166,519 S 4/1952 Ayers
- D166,520 S 4/1952 Ayers
- D234,474 S 3/1975 Famolare
- D236,662 S 9/1975 Cotton
- D236,663 S 9/1975 Cotton
- D255,617 S 7/1980 Dassler
- D265,436 S 7/1982 Vermonet
- D265,437 S 7/1982 Vermonet
- D265,521 S 7/1982 Vermonet
- D284,613 S 7/1986 Bemault
- D295,578 S 5/1988 Tong



(56)

References Cited

U.S. PATENT DOCUMENTS

D487,610 S	3/2004	Lin	
D490,233 S	5/2004	Cooper	
D501,072 S	1/2005	Matis et al.	
D511,886 S	* 11/2005	Galway	D2/974
D513,554 S	1/2006	Matis et al.	
D514,297 S	2/2006	Matis et al.	
D548,444 S	8/2007	Covatch	
D575,488 S	8/2008	Covatch	
D618,452 S	6/2010	Dean et al.	
D638,615 S	5/2011	McMillan	
D658,860 S	5/2012	Stryjak et al.	
D658,861 S	5/2012	Stryjak et al.	
D661,878 S	* 6/2012	Grenet	D2/946
D685,983 S	7/2013	Winskowicz	
D692,217 S	10/2013	Fogg	
D709,273 S	7/2014	Winskowicz	
D713,625 S	9/2014	Raasch	
D737,040 S	8/2015	Pauk	
D744,225 S	12/2015	Thornhill	
D762,056 S	7/2016	Fullum	
D765,380 S	* 9/2016	Petrie	D2/972
D778,568 S	2/2017	Kinley	
D781,561 S	3/2017	Gibson	
D783,993 S	* 4/2017	Hatfield	D2/972
D789,054 S	6/2017	Shyllon	
D796,813 S	9/2017	Link	
D799,179 S	10/2017	Comeaux	
D799,182 S	10/2017	Matthews	
D802,286 S	11/2017	Klein	
D807,631 S	* 1/2018	Sullivan	D2/972
D807,632 S	* 1/2018	Sullivan	D2/972
D808,629 S	* 1/2018	Parrett	D2/972
D816,972 S	* 5/2018	Pauk	D2/972
D817,612 S	* 5/2018	Small	D2/947
D819,311 S	6/2018	Jury et al.	
D828,002 S	* 9/2018	Buscemi	D2/972
D828,994 S	9/2018	de Montgolfier	
D832,568 S	11/2018	Kuerbis	
D835,389 S	* 12/2018	Durflinger	D2/947
D838,966 S	* 1/2019	Pauk	D2/972
D851,381 S	6/2019	Hong	
D851,877 S	* 6/2019	Small	D2/947
D851,878 S	6/2019	Pauk	
D853,701 S	7/2019	Hong	
D860,622 S	* 9/2019	Pauk	D2/972
D863,751 S	* 10/2019	Seamarks	D2/972

OTHER PUBLICATIONS

Nike Footwear Catalog, 2016 Spring Core Footwear NA, p. 16, published May 2015, NIKE, Inc., USA.

Nike Footwear Catalog, 2017 Spring Strategic Sporting Goods Footwear Best NA, p. 109, published May 2016, NIKE, Inc., USA.

Nike Footwear Catalog, 2017 Spring Territory Sporting Goods Footwear Best NA, p. 33, published May 2016, NIKE, Inc., USA.

Nike Footwear Catalog, 2018 Spring Team Soccer, p. 116, published Jun. 5, 2017, NIKE, Inc., USA.

Nike Footwear Catalog, 2018 Summer Running, p. 61, published date unknown, but prior to the filing date of the present application, NIKE, Inc., USA.

Nike Footwear Catalog, 2018 Holiday Men's Training, p. 67, published date unknown, but prior to the filing date of the present application, NIKE, Inc., USA.

Nike Footwear Catalog, 2018 Holiday Sportswear, p. 149, published date unknown, but prior to the filing date of the present application, NIKE, Inc., USA.

Nike Footwear Catalog, 2018 Holiday Young Athletes, p. 159, published date unknown, but prior to the filing date of the present application, NIKE, Inc., USA.

Nike Footwear Catalog, 2019 Spring Running, p. 113, published date unknown, but prior to the filing date of the present application, NIKE, Inc., USA.

Nike Footwear Catalog, 2019 Spring Sportswear, p. 240, published date unknown, but prior to the filing date of the present application, NIKE, Inc., USA.

Nike Footwear Catalog, 1988 Spring Footwear, p. 6, published Jun. 1987, NIKE, Inc., USA.

Nike Footwear Catalog, 1993 Spring Footwear, p. 122, published Jun. 1992, NIKE, Inc., USA.

Nike Footwear Catalog, 1993 Fall Footwear, p. 3, published Dec. 1992, NIKE, Inc., USA.

Nike Footwear Catalog, 1996 Holiday Footwear, p. 55, published Mar. 1996, NIKE, Inc., USA.

Nike Footwear Catalog, 1997 Spring Footwear, p. 37, published Jun. 1996, NIKE, Inc., USA.

Nike Footwear Catalog, 1997 Late Spring Footwear, p. 3, published Sep. 1996, NIKE, Inc., USA.

Nike Footwear Catalog, 1997 Fall Footwear, p. 39, published Dec. 1996, NIKE, Inc., USA.

Nike Footwear Catalog, 2001 Spring Footwear 1, p. 68, published Jun. 2000, NIKE, Inc., USA.

Nike Footwear Catalog, 2001 Spring Footwear 2, p. 20, published Jun. 2000, NIKE, Inc., USA.

Nike Footwear Catalog, 2003 Fall Footwear, p. 15, published Nov. 2002, NIKE, Inc., USA.

Nike Footwear Catalog, 2003 Fall Footwear, p. 38, published Nov. 2002, NIKE, Inc., USA.

Nike Footwear Catalog, 2003 Fall Footwear, p. 107, published Nov. 2002, NIKE, Inc., USA.

Nike Footwear Catalog, 2004 Spring Footwear, p. 19, published Jun. 2003, NIKE, Inc., USA.

Nike Footwear Catalog, 2005 Spring Footwear, p. 1, published Jun. 2004, NIKE, Inc., USA.

Nike Footwear Catalog, 2005 Fall Footwear, p. 54, published Nov. 2004, NIKE, Inc., USA.

Nike Footwear Catalog, 2005 Fall Footwear, p. 58, published Nov. 2004, NIKE, Inc., USA.

Nike Footwear Catalog, 2006 Fall Footwear, p. 1, published Nov. 2005, NIKE, Inc., USA.

Nike Footwear Catalog, 2010 Fall Soccer Footwear, p. 31, published Nov. 2009, NIKE, Inc., USA.

Nike Footwear Catalog, 2010 Fall Urban Better Footwear, p. 21, published Nov. 2009, NIKE, Inc., USA.

Nike Footwear Catalog, 2011 Spring Men's Running Footwear, p. 30, published May 2010, NIKE, Inc., USA.

Nike Footwear Catalog, 2013 Fall Mens Sportswear Footwear Best, p. 11, published Nov. 2012, NIKE, Inc., USA.

Nike Footwear Catalog, 2014 Spring Women's Nike Sportswear Footwear Best, p. 43, published May 17, 2013, NIKE Inc., USA.

Nike Footwear Catalog, 2014 Spring Men's Footwear Performance, p. 8, published May 22, 2013, NIKE, Inc., USA.

Nike Footwear Catalog, 2014 Fall City Specialty Footwear Best Final, p. 67, published Nov. 1, 2013, NIKE, Inc., USA.

Nike Footwear Catalog, 2015 Spring Core Performance Footwear Final, p. 15, published May 14, 2014, NIKE, Inc., USA.

Nike Footwear Catalog, 2015 Spring Men's Nike Sportswear Footwear Best, p. 21, published May 14, 2014, NIKE, Inc., USA.

Nike Footwear Catalog, 2016 Spring Dept Store Footwear Best NA, p. 67, published May 2015, NIKE, Inc., USA.

Nike Footwear Catalog, 2016 Spring Lacrosse Specialty NA, p. 12, published May 2015, NIKE, Inc., USA.

Nike Footwear Catalog, 2017 Spring Athletic Specialty Footwear Best NA, p. 105, published May 2016, NIKE, Inc., USA.

Nike Footwear Catalog, 2017 Spring Athletic Specialty Footwear Best NA, p. 159, published May 2016, NIKE, Inc., USA.

Nike Footwear Catalog, 2017 Spring Athletic Specialty Footwear Best NA, p. 168, published May 2016, NIKE, Inc., USA.

Nike Footwear Catalog, 2018 Holiday Men's Training, p. 77, published date unknown, but prior to the filing date of the present application, NIKE, Inc., USA.

Nike Footwear Catalog, 1976 Footwear, p. 11, published date unknown, but prior to the filing date of the present application, NIKE, Inc., USA.

(56)

References Cited

OTHER PUBLICATIONS

Nike Footwear Catalog, 1979 Footwear, p. 2, published date unknown, but prior to the filing date of the present application, NIKE, Inc., USA.

Nike Footwear Catalog, 1993 Spring Footwear, p. 80, published Jun. 1992, NIKE, Inc., USA.

Nike Footwear Catalog, 1997 Late Spring Footwear, p. 11, published Sep. 1996, NIKE, Inc., USA.

Nike Footwear Catalog, 1999 Late Spring Footwear, p. W23, published Sep. 1998, NIKE, Inc., USA.

Nike Footwear Catalog, 1999 Late Spring Footwear, p. W97, published Sep. 1998, NIKE, Inc., USA.

Nike Footwear Catalog, 1999 Late Spring Footwear, p. W1, published Sep. 1998, NIKE, Inc., USA.

Nike Footwear Catalog, 1999 Fall Footwear, p. W75, published Nov. 1998, NIKE, Inc., USA.

Nike Footwear Catalog, 2000 Fall Footwear Blue Cover, p. 82, published Nov. 1999, NIKE, Inc., USA.

Nike Footwear Catalog, 2001 Spring Footwear 2, p. 9, published Jun. 2000, NIKE, Inc., USA.

Nike Footwear Catalog, 2001 Fall Footwear, p. 45, published Nov. 2000, NIKE, Inc., USA.

Nike Footwear Catalog, 2002 Spring Footwear, p. 29, published Jun. 2001, NIKE, Inc., USA.

Nike Footwear Catalog, 2002 Fall Footwear, p. 21, published Nov. 2001, NIKE, Inc., USA.

Nike Footwear Catalog, 2014 Baseball Footwear, p. 33, published Feb. 2013, NIKE, Inc., USA.

Nike Footwear Catalog, 2014 Fall City Specialty Footwear Best Final, p. 90, published Nov. 1, 2013, NIKE, Inc., USA.

Nike Footwear Catalog, 2014 Fall Men's New Sportswear Footwear Pinnacle Flyer, p. 4, published Nov. 1, 2013, NIKE, Inc., USA.

Nike Footwear Catalog, 2015 Spring Core Performance Footwear Final, p. 4, published May 14, 2014, NIKE, Inc., USA.

Nike Footwear Catalog, 2015 Spring Men's Nike Sportswear Footwear Best, p. 8, published May 14, 2014, NIKE, Inc., USA.

* cited by examiner

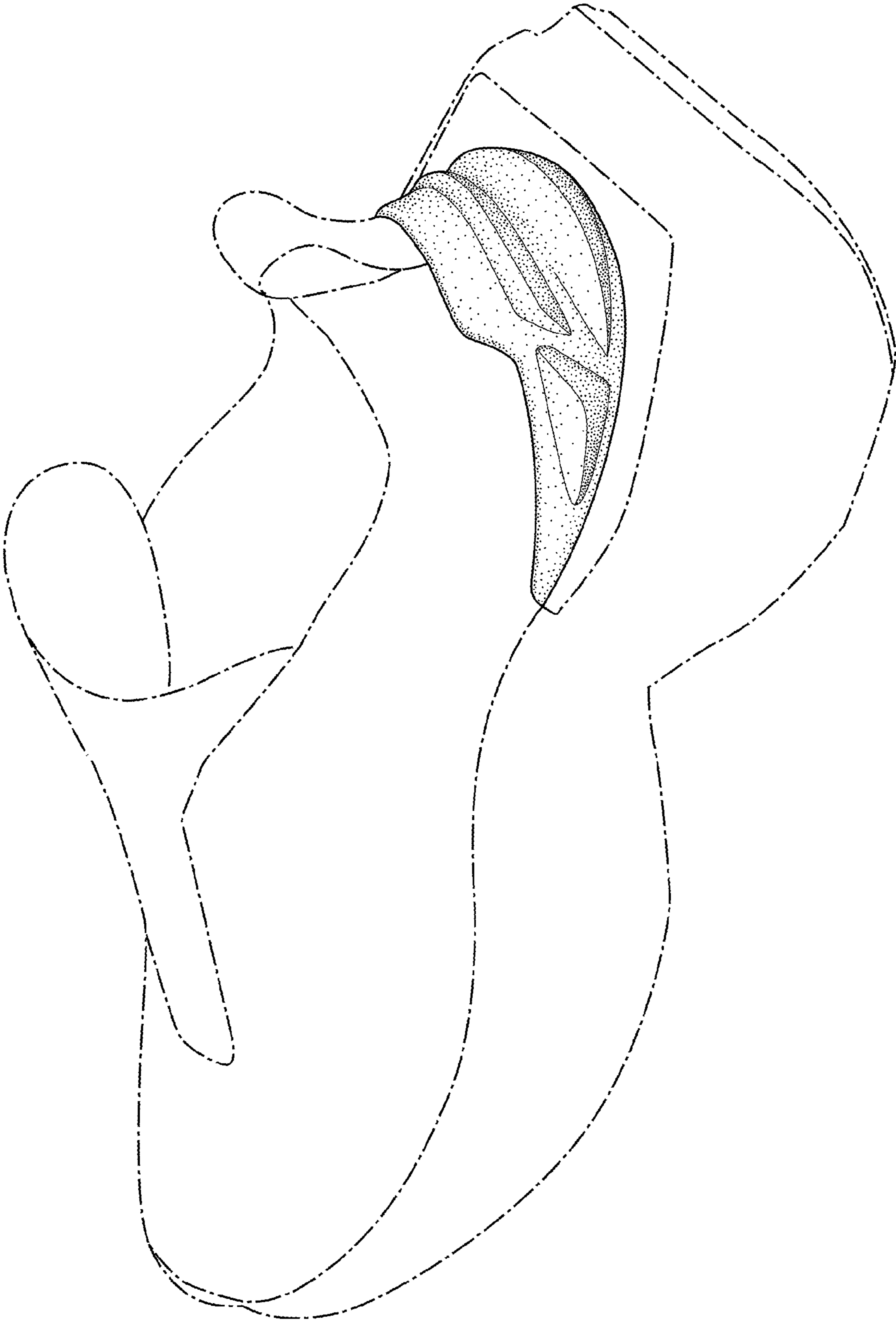


FIG. 1

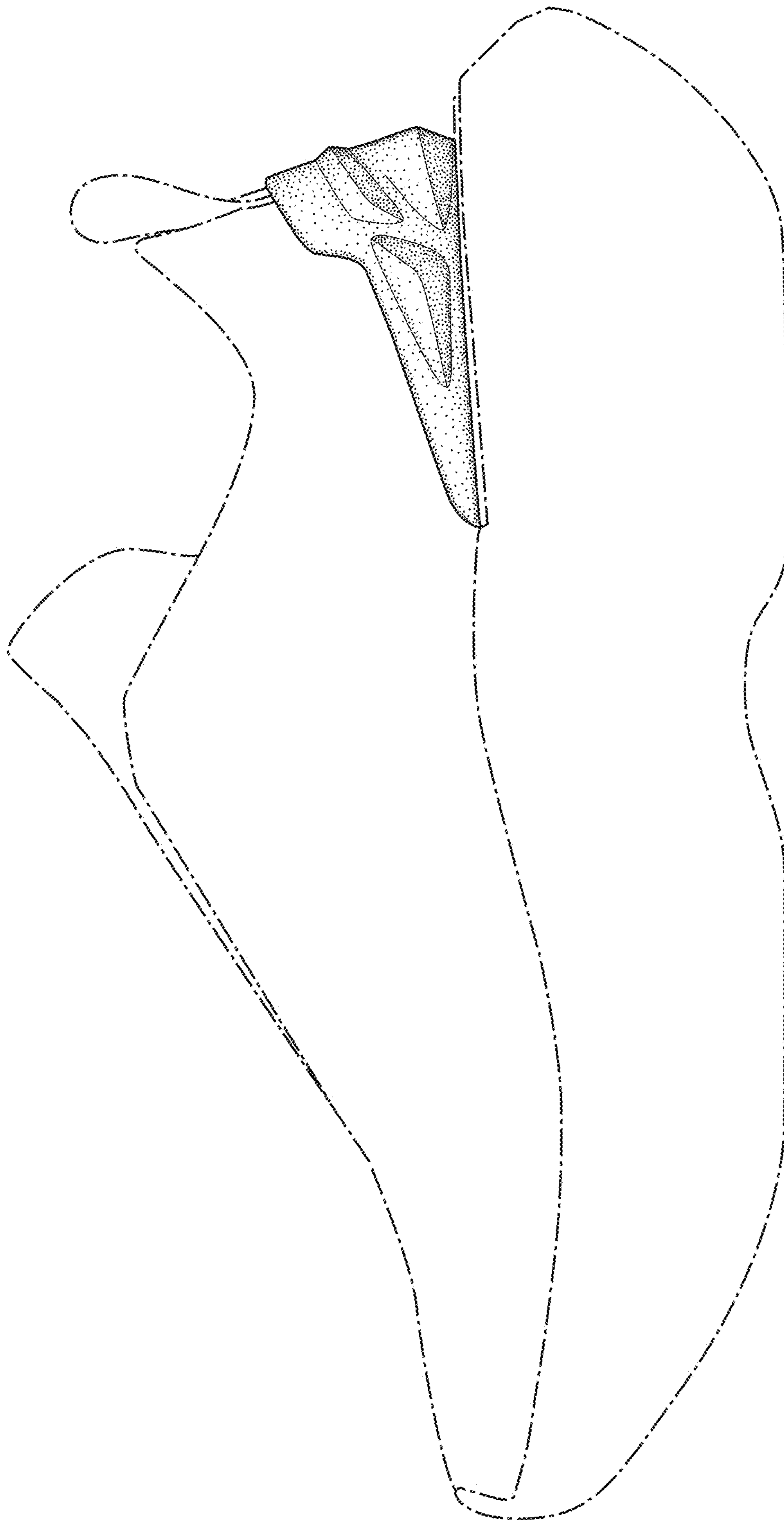


FIG. 2

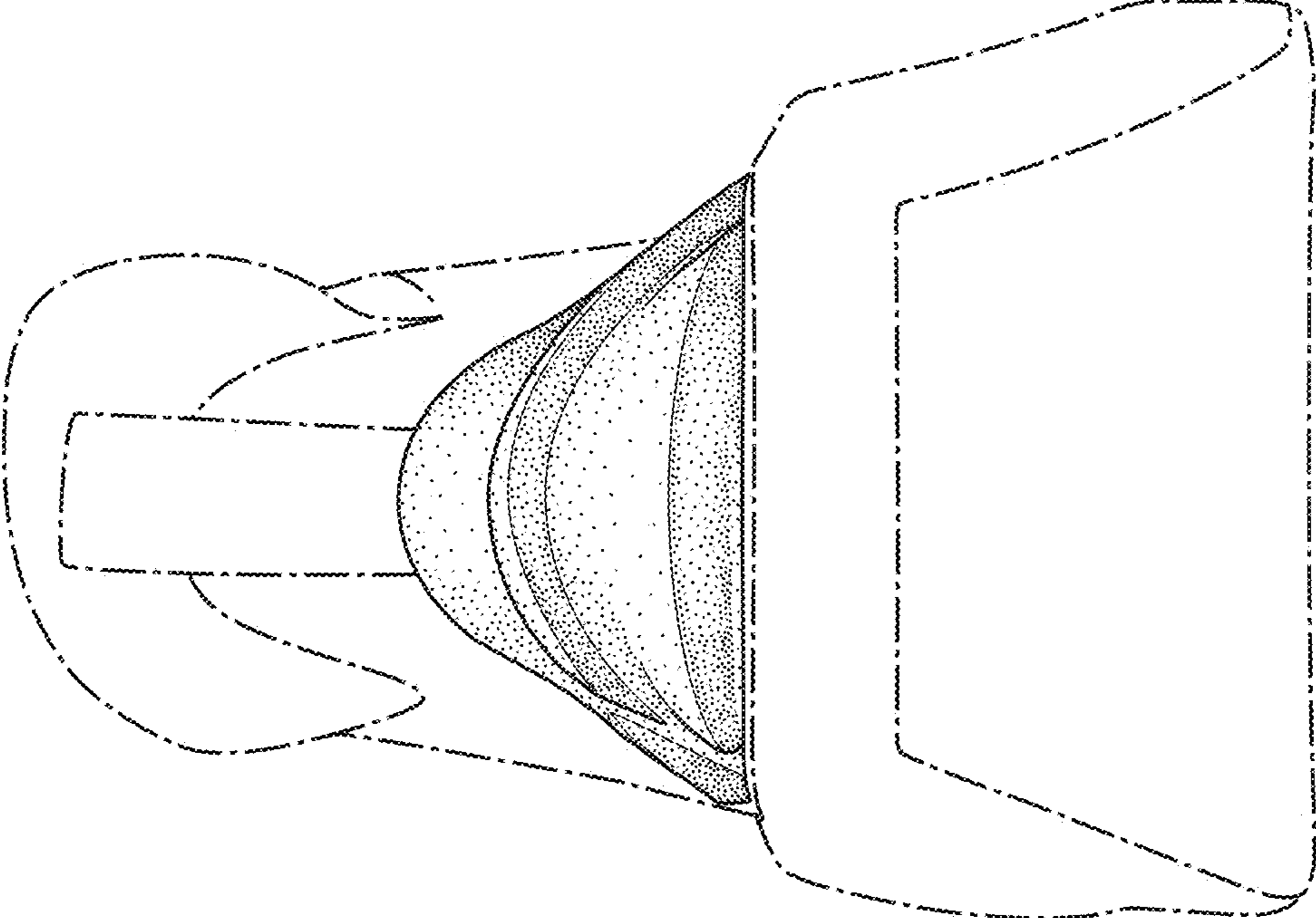


FIG. 3

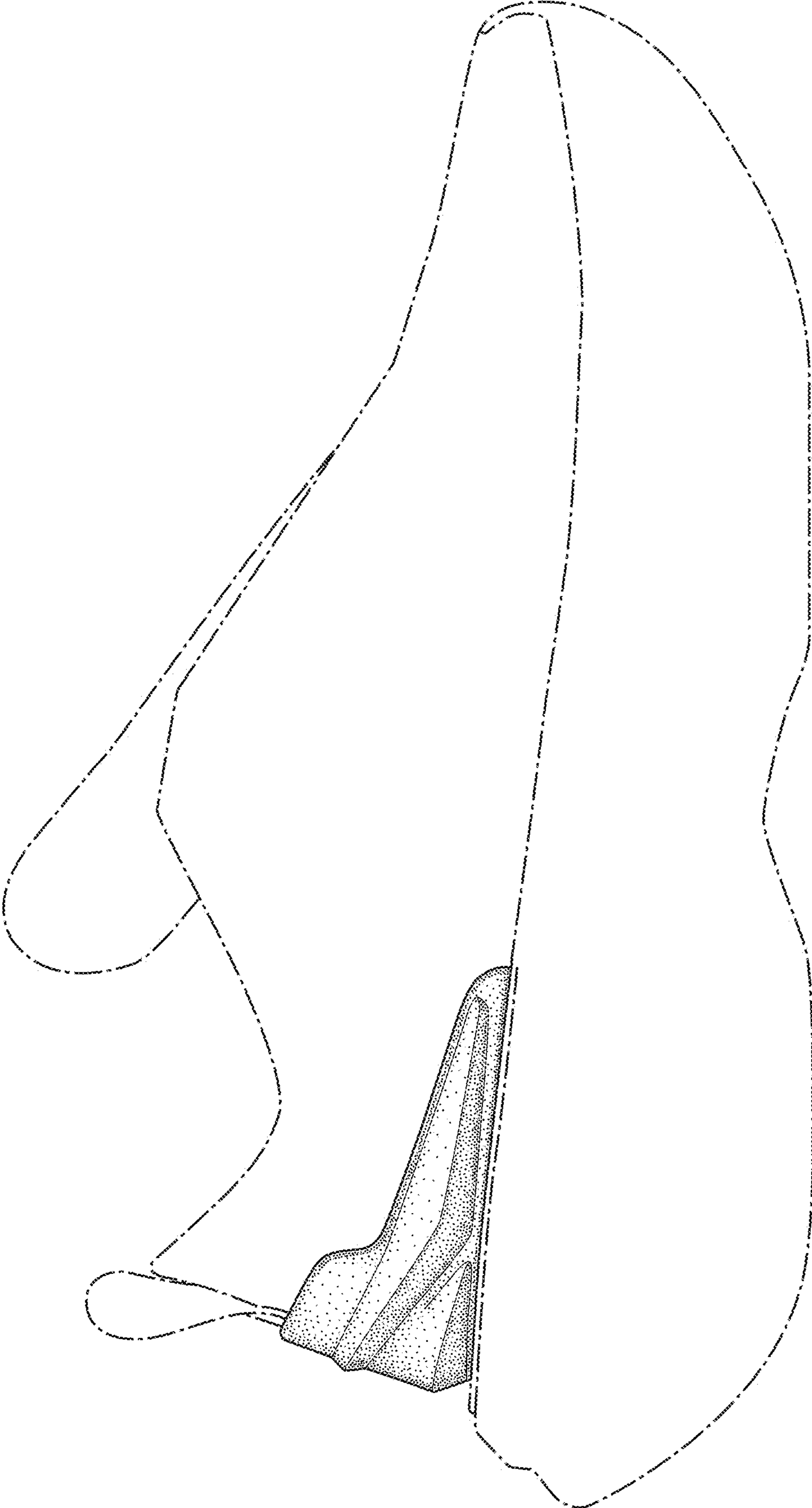


FIG. 4

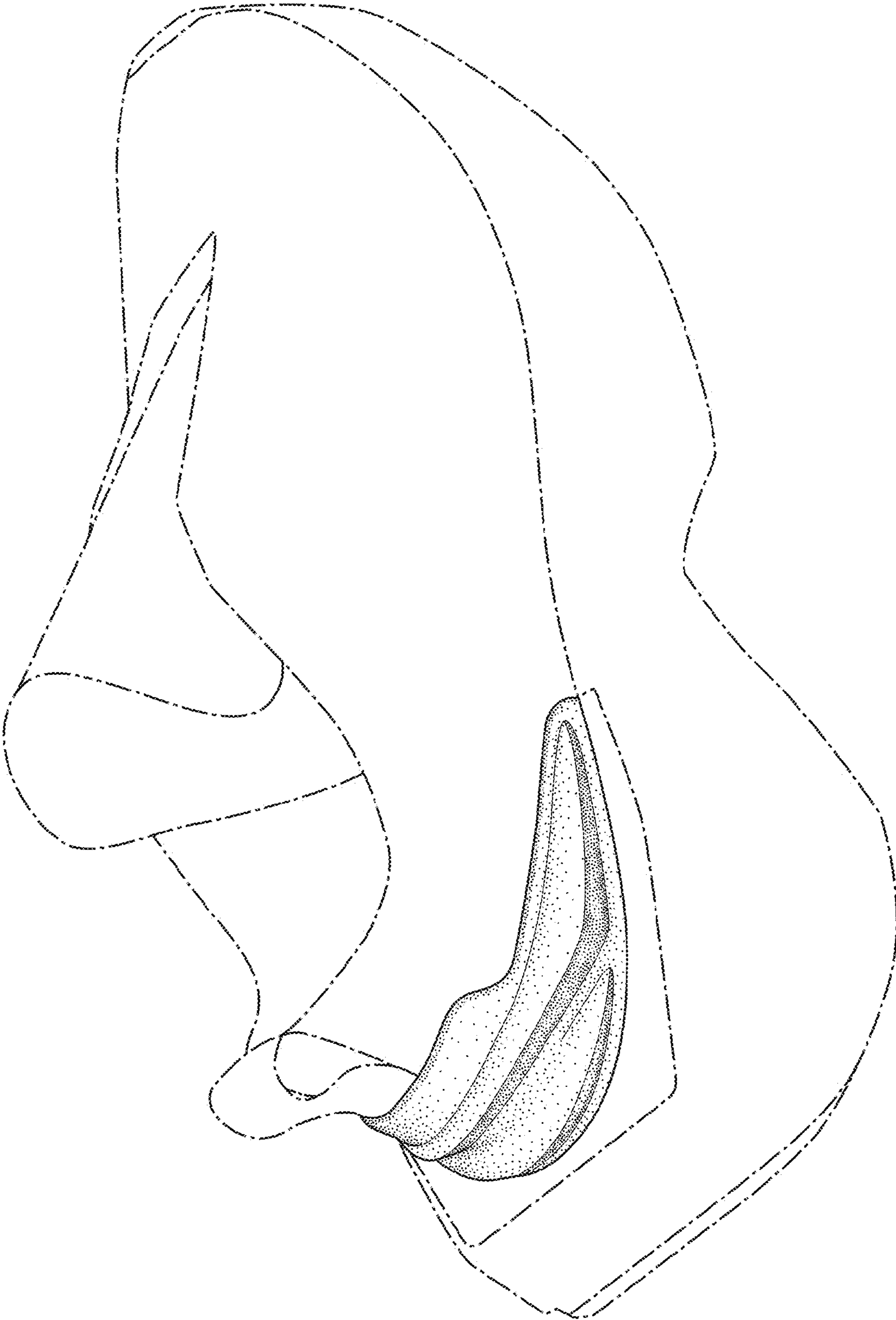


FIG. 5