



US00D876769S

(12) **United States Design Patent**  
**Aden**

(10) **Patent No.:** **US D876,769 S**  
(45) **Date of Patent:** **\*\* Mar. 3, 2020**

- (54) **SHOE**
- (71) Applicant: **NIKE, Inc.**, Beaverton, OR (US)
- (72) Inventor: **Shamees Aden**, Portland, OR (US)
- (73) Assignee: **NIKE, Inc.**, Beaverton, OR (US)
- (\*\*) Term: **15 Years**
- (21) Appl. No.: **29/688,311**
- (22) Filed: **Apr. 19, 2019**
- (51) **LOC (12) Cl.** ..... **02-04**
- (52) **U.S. Cl.**  
USPC ..... **D2/947**
- (58) **Field of Classification Search**  
USPC ..... D2/902, 906, 908, 916, 918, 925,  
D2/946-962, 977; 36/3 B, 22 R, 24.5,  
36/25 R, 28, 32 R, 34 R, 59 C, 67 A, 103  
CPC ..... A43B 13/00; A43B 13/02; A43B 13/023;  
A43B 13/026; A43B 13/04; A43B 13/08;  
A43B 13/10; A43B 13/12; A43B 13/14;  
A43B 13/141; A43B 13/143; A43B  
13/16; A43B 13/18; A43B 13/181; A43B  
13/187; A43B 13/189; A43B 13/20; A43B  
13/22; A43B 13/223; A43B 13/24; A43B  
13/28; A43B 13/30; A43B 13/32; A43B  
13/34; A43B 13/36  
See application file for complete search history.

- D265,436 S 7/1982 Vermonet
- D265,437 S 7/1982 Vermonet
- D265,521 S 7/1982 Vermonet
- D284,613 S 7/1986 Bernault
- D295,578 S 5/1988 Tong
- D299,787 S 2/1989 Bates
- D301,935 S 7/1989 Jonah
- D302,763 S 8/1989 Kilgore et al.
- D304,876 S 12/1989 Brown et al.
- D329,528 S 9/1992 Haffield
- D329,532 S 9/1992 Greene
- D330,799 S 11/1992 Haffield
- D345,450 S 3/1994 Kusuki et al.

(Continued)

**OTHER PUBLICATIONS**

Nike Footwear Catalog, 1976 Footwear, p. 11, published date unknown, but prior to the filing date of the present application, NIKE, Inc., USA.

(Continued)

*Primary Examiner* — T Chase Nelson

(74) *Attorney, Agent, or Firm* — Banner & Witcoff, Ltd.

(57) **CLAIM**

The ornamental design for a shoe, as shown and described.

**DESCRIPTION**

FIG. 1 is a rear perspective view of a shoe showing my new design;

FIG. 2 is a side view thereof;

FIG. 3 is a rear view thereof;

FIG. 4 is an opposite side view thereof; and,

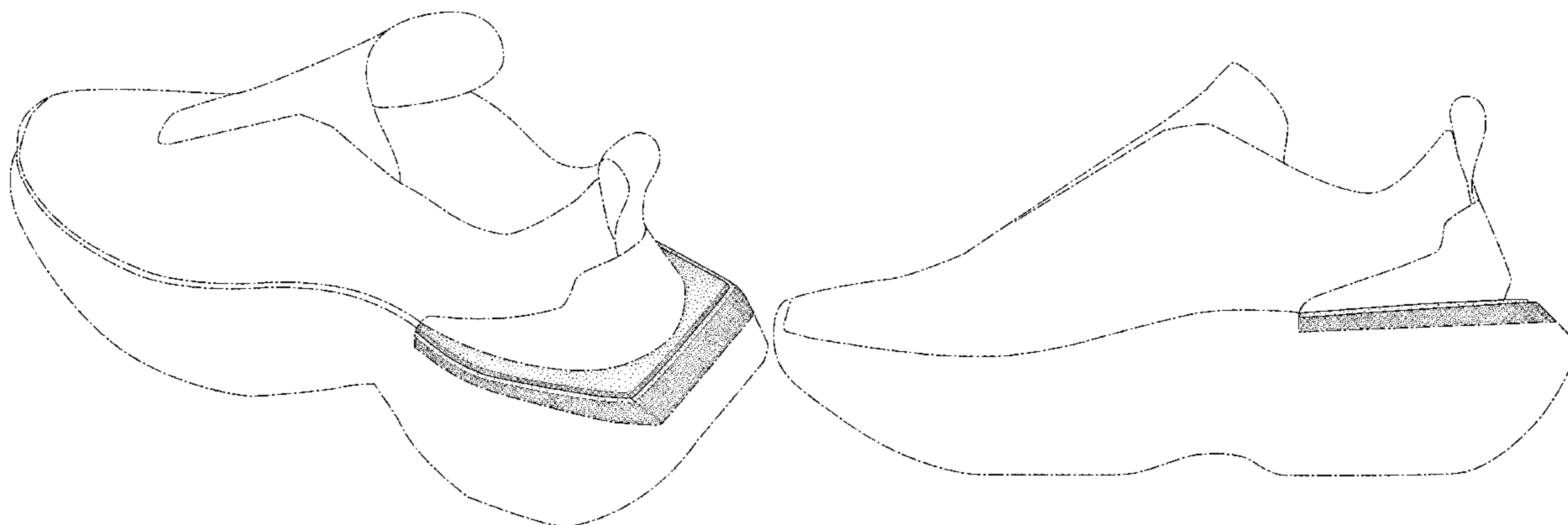
FIG. 5 is a second rear perspective view thereof.

The broken lines immediately adjacent to the shaded area define the peripheral boundary of the claimed design and form no part thereof. The broken lines depicting the remainder of the shoe show features that form no part of the claimed design.

**1 Claim, 5 Drawing Sheets**

(56) **References Cited**  
U.S. PATENT DOCUMENTS

- D31,294 S \* 7/1899 Fuller ..... D2/947
- D166,519 S 4/1952 Ayers
- D166,520 S 4/1952 Ayers
- D234,474 S 3/1975 Famolare
- D236,662 S 9/1975 Cotton
- D236,663 S 9/1975 Cotton
- D255,617 S 7/1980 Dassler



(56)

References Cited

U.S. PATENT DOCUMENTS

5,319,866 A \* 6/1994 Foley ..... A43B 5/00  
36/103  
D355,755 S 2/1995 Kilgore  
5,425,184 A \* 6/1995 Lyden ..... A43B 13/20  
36/114  
D365,923 S 1/1996 Crowley  
D374,337 S 10/1996 Murai et al.  
D395,739 S \* 7/1998 Mervar ..... D2/947  
D407,540 S 4/1999 Dolinsky  
D409,361 S 5/1999 Greenberg  
D412,238 S 7/1999 Greenberg  
D418,282 S \* 1/2000 von Conta ..... D2/947  
D422,779 S \* 4/2000 Kusumoto ..... D2/915  
D424,287 S 5/2000 Edwards  
D426,054 S \* 6/2000 Mazars ..... D2/947  
D435,334 S 12/2000 Wilson  
D466,276 S 12/2002 Tomczak  
D487,610 S 3/2004 Lin  
D490,233 S 5/2004 Cooper  
D501,072 S 1/2005 Matis et al.  
D501,713 S \* 2/2005 Kayano ..... D2/977  
D513,554 S 1/2006 Matis et al.  
D514,297 S 2/2006 Matis et al.  
D548,444 S 8/2007 Covatch  
D560,335 S \* 1/2008 Turner ..... A43B 13/223  
D2/957  
D575,488 S 8/2008 Covatch  
D604,480 S \* 11/2009 Della Valle ..... D2/902  
D618,452 S 6/2010 Dean et al.  
D620,691 S \* 8/2010 Akhidime ..... D2/946  
D624,737 S \* 10/2010 Akhidime ..... D2/946  
D638,615 S 5/2011 McMillan  
D655,483 S \* 3/2012 Portzline ..... D2/902  
D658,860 S 5/2012 Stryjak et al.  
D658,861 S 5/2012 Stryjak et al.  
D662,697 S \* 7/2012 Portzline ..... D2/946  
D685,983 S 7/2013 Winskowicz  
D692,217 S 10/2013 Fogg  
D703,422 S \* 4/2014 Hansen ..... D2/916  
D709,273 S 7/2014 Winskowicz  
D713,625 S 9/2014 Raasch  
D719,725 S \* 12/2014 Katz ..... D2/902  
D737,040 S 8/2015 Pauk  
D744,225 S 12/2015 Thornhill  
D762,056 S 7/2016 Fullum  
D765,380 S 9/2016 Petrie  
D777,410 S \* 1/2017 Takahashi ..... D2/947  
D778,568 S 2/2017 Kinley  
D781,561 S 3/2017 Gibson  
D782,168 S \* 3/2017 Reid ..... A43B 13/186  
D2/947  
D783,958 S \* 4/2017 Petrenka ..... A43B 13/141  
D2/947  
D789,054 S 6/2017 Shyllon  
D794,287 S \* 8/2017 Raasch ..... A43B 21/28  
D2/947  
D796,813 S 9/2017 Link  
D799,179 S 10/2017 Comeaux  
D799,182 S 10/2017 Matthews  
D802,286 S 11/2017 Klein  
D804,788 S \* 12/2017 Bikowski ..... A43B 13/12  
D2/947  
D816,972 S 5/2018 Pauk  
D819,311 S 6/2018 Jury et al.  
D828,994 S 9/2018 de Montgolfier  
D832,568 S 11/2018 Kuerbis  
D838,966 S 1/2019 Pauk  
D841,297 S \* 2/2019 Small ..... A43B 3/0005  
D2/947  
D846,245 S \* 4/2019 Kosenick ..... A43B 13/181  
D2/947  
D850,083 S \* 6/2019 Jenkins ..... D2/959  
D851,368 S \* 6/2019 Fuerst, Sr. .... A43B 21/32  
D2/916

D851,381 S 6/2019 Hong  
D851,875 S \* 6/2019 Jacobs ..... A43B 5/00  
D2/947  
D851,877 S \* 6/2019 Small ..... A43B 13/20  
D2/947  
D851,878 S 6/2019 Pauk  
D853,701 S 7/2019 Hong  
D858,054 S \* 9/2019 McMillan ..... D2/947  
D858,955 S \* 9/2019 Bongers ..... D2/910  
D858,962 S \* 9/2019 Small ..... D2/947  
D863,744 S \* 10/2019 Della Valle ..... D2/953  
2008/0256827 A1 \* 10/2008 Hardy ..... A43B 13/181  
36/27  
2009/0064538 A1 \* 3/2009 Roether ..... A43B 13/026  
36/88  
2010/0071228 A1 \* 3/2010 Crowley, II ..... A43B 13/181  
36/28  
2010/0251565 A1 \* 10/2010 Litchfield ..... A43B 13/12  
36/28  
2010/0251567 A1 \* 10/2010 McInnis ..... A43B 3/0005  
36/29  
2017/0127749 A1 \* 5/2017 Boeck ..... A43B 7/32  
2018/0110292 A1 \* 4/2018 Beers ..... A43B 21/28  
2018/0289109 A1 \* 10/2018 Beers ..... A43B 21/32  
2019/0104805 A1 \* 4/2019 Del Biondi ..... B32B 3/263  
2019/0254381 A1 \* 8/2019 Hopkins ..... A43B 13/141  
2019/0320759 A1 \* 10/2019 Conrad ..... A43B 13/186

OTHER PUBLICATIONS

Nike Footwear Catalog, 1979 Footwear, p. 2, published date unknown, but prior to the filing date of the present application, NIKE, Inc., USA.  
Nike Footwear Catalog, 1993 Spring Footwear, p. 80, published Jun. 1992, NIKE, Inc., USA.  
Nike Footwear Catalog, 1997 Late Spring Footwear, p. 11, published Sep. 1996, NIKE, Inc., USA.  
Nike Footwear Catalog, 1999 Late Spring Footwear, p. W23, published Sep. 1998, NIKE, Inc., USA.  
Nike Footwear Catalog, 1999 Late Spring Footwear, p. W97, published Sep. 1998, NIKE, Inc., USA.  
Nike Footwear Catalog, 1999 Late Spring Footwear, p. W1, published Sep. 1998, NIKE, Inc., USA.  
Nike Footwear Catalog, 1999 Fall Footwear, p. W75, published Nov. 1998, NIKE, Inc., USA.  
Nike Footwear Catalog, 2000 Fall Footwear Blue Cover, p. 82, published Nov. 1999, NIKE, Inc., USA.  
Nike Footwear Catalog, 2001 Spring Footwear 2, p. 9, published Jun. 2000, NIKE, Inc., USA.  
Nike Footwear Catalog, 2001 Fall Footwear, p. 45, published Nov. 2000, NIKE, Inc., USA.  
Nike Footwear Catalog, 2002 Spring Footwear, p. 29, published Jun. 2001, NIKE, Inc., USA.  
Nike Footwear Catalog, 2002 Fall Footwear, p. 21, published Nov. 2001, NIKE, Inc., USA.  
Nike Footwear Catalog, 2014 Baseball Footwear, p. 33, published Feb. 2013, NIKE, Inc., USA.  
Nike Footwear Catalog, 2014 Fall City Specialty Footwear Best Final, p. 90, published Nov. 1, 2013, NIKE, Inc., USA.  
Nike Footwear Catalog, 2014 Fall Men's New Sportswear Footwear Pinnacle Flyer, p. 4, published Nov. 1, 2013, NIKE, Inc., USA.  
Nike Footwear Catalog, 2015 Spring Core Performance Footwear Final, p. 4, published May 14, 2014, NIKE, Inc., USA.  
Nike Footwear Catalog, 2015 Spring Men's Nike Sportswear Footwear Best, p. 8, published May 14, 2014, NIKE, Inc., USA.  
Nike Footwear Catalog, 2015 Fall Boutique NA, p. 348, published Nov. 2014, NIKE, Inc., USA.  
Nike Footwear Catalog, 2016 Spring Core Footwear NA, p. 16, published May 2015, NIKE, Inc., USA.  
Nike Footwear Catalog, 2017 Spring Strategic Sporting Goods Footwear Best NA, p. 109, published May 2016, NIKE, Inc., USA.  
Nike Footwear Catalog, 2017 Spring Territory Sporting Goods Footwear Best NA, p. 33, published May 2016, NIKE, Inc., USA.

(56)

**References Cited**

## OTHER PUBLICATIONS

Nike Footwear Catalog, 2018 Spring Team Soccer, p. 116, published Jun. 5, 2017, NIKE, Inc., USA.

Nike Footwear Catalog, 2018 Summer Running, p. 61, published date unknown, but prior to the filing date of the present application, NIKE, Inc., USA.

Nike Footwear Catalog, 2018 Holiday Men's Training, p. 67, published date unknown, but prior to the filing date of the present application, NIKE, Inc., USA.

Nike Footwear Catalog, 2018 Holiday Sportswear, p. 149, published date unknown, but prior to the filing date of the present application, NIKE, Inc., USA.

Nike Footwear Catalog, 2018 Holiday Young Athletes, p. 159, published date unknown, but prior to the filing date of the present application, NIKE, Inc., USA.

NIKE Footwear Catalog, 2019 Spring Running, p. 113, published date unknown, but prior to the filing date of the present application, NIKE, Inc., USA.

NIKE Footwear Catalog, 2019 Spring Running, p. 240, published date unknown, but prior to the filing date of the present application, NIKE, Inc., USA.

Nike Footwear Catalog, 1988 Spring Footwear, p. 6, published Jun. 1987, NIKE, Inc., USA.

Nike Footwear Catalog, 1993 Spring Footwear, p. 122, published Jun. 1992, NIKE, Inc., USA.

Nike Footwear Catalog, 1993 Fall Footwear, p. 3, published Dec. 1992, NIKE, Inc., USA.

Nike Footwear Catalog, 1996 Holiday Footwear, p. 55, published Mar. 1996, NIKE, Inc., USA.

Nike Footwear Catalog, 1997 Spring Footwear, p. 37, published Jun. 1996, NIKE, Inc., USA.

Nike Footwear Catalog, 1997 Late Spring Footwear, p. 3, published Sep. 1996, NIKE, Inc., USA.

Nike Footwear Catalog, 1997 Fall Footwear, p. 39, published Dec. 1996, NIKE, Inc., USA.

Nike Footwear Catalog, 2001 Spring Footwear 1, p. 68, published Jun. 2000, NIKE, Inc., USA.

Nike Footwear Catalog, 2001 Spring Footwear 2, p. 20, published Jun. 2000, NIKE, Inc., USA.

Nike Footwear Catalog, 2003 Fall Footwear, p. 15, published Nov. 2002, NIKE, Inc., USA.

Nike Footwear Catalog, 2003 Fall Footwear, p. 38, published Nov. 2002, NIKE, Inc., USA.

Nike Footwear Catalog, 2003 Fall Footwear, p. 107, published Nov. 2002, NIKE, Inc., USA.

Nike Footwear Catalog, 2004 Spring Footwear, p. 19, published Jun. 2003, NIKE, Inc., USA.

Nike Footwear Catalog, 2005 Spring Footwear, p. 1, published Jun. 2004, NIKE, Inc., USA.

Nike Footwear Catalog, 2005 Fall Footwear, p. 54, published Nov. 2004, NIKE, Inc., USA.

Nike Footwear Catalog, 2005 Fall Footwear, p. 58, published Nov. 2004, NIKE, Inc., USA.

Nike Footwear Catalog, 2006 Fall Footwear, p. 1, published Nov. 2005, NIKE, Inc., USA.

Nike Footwear Catalog, 2010 Fall Soccer Footwear, p. 31, published Nov. 2009, NIKE, Inc., USA.

Nike Footwear Catalog, 2010 Fall Urban Better Footwear, p. 21, published Nov. 2009, NIKE, Inc., USA.

Nike Footwear Catalog, 2011 Spring Men's Running Footwear, p. 30, published May 2010, NIKE, Inc., USA.

Nike Footwear Catalog, 2013 Fall Mens Sportswear Footwear Best, p. 11, published Nov. 2012, NIKE, Inc., USA.

Nike Footwear Catalog, 2014 Spring Women's Nike Sportswear Footwear Best, p. 43, published May 17, 2013, NIKE, Inc., USA.

Nike Footwear Catalog, 2014 Spring Men's Footwear Performance, p. 8, published May 22, 2013, NIKE, Inc., USA.

Nike Footwear Catalog, 2014 Fall City Specialty Footwear Best Final, p. 67, published Nov. 1, 2013, NIKE, Inc., USA.

Nike Footwear Catalog, 2015 Spring Core Performance Footwear Final, p. 15, published May 14, 2014, NIKE, Inc., USA.

Nike Footwear Catalog, 2015 Spring Men's Nike Sportswear Footwear Best, p. 21, published May 14, 2014, NIKE, Inc., USA.

Nike Footwear Catalog, 2016 Spring Dept Store Footwear Best NA, p. 67, published May 2015, NIKE, Inc., USA.

Nike Footwear Catalog, 2016 Spring Lacrosse Specialty NA, p. 12, published May 2015, NIKE, Inc., USA.

Nike Footwear Catalog, 2017 Spring Athletic Specialty Footwear Best NA, p. 105, published May 2016, NIKE, Inc., USA.

Nike Footwear Catalog, 2017 Spring Athletic Specialty Footwear Best NA, p. 159, published May 2016, NIKE, Inc., USA.

Nike Footwear Catalog, 2017 Spring Athletic Specialty Footwear Best NA, p. 168, published May 2016, NIKE, Inc., USA.

Nike Footwear Catalog, 2018 Holiday Men's Training, p. 77, published date unknown, but prior to the filing date of the present application, NIKE, Inc., USA.

\* cited by examiner

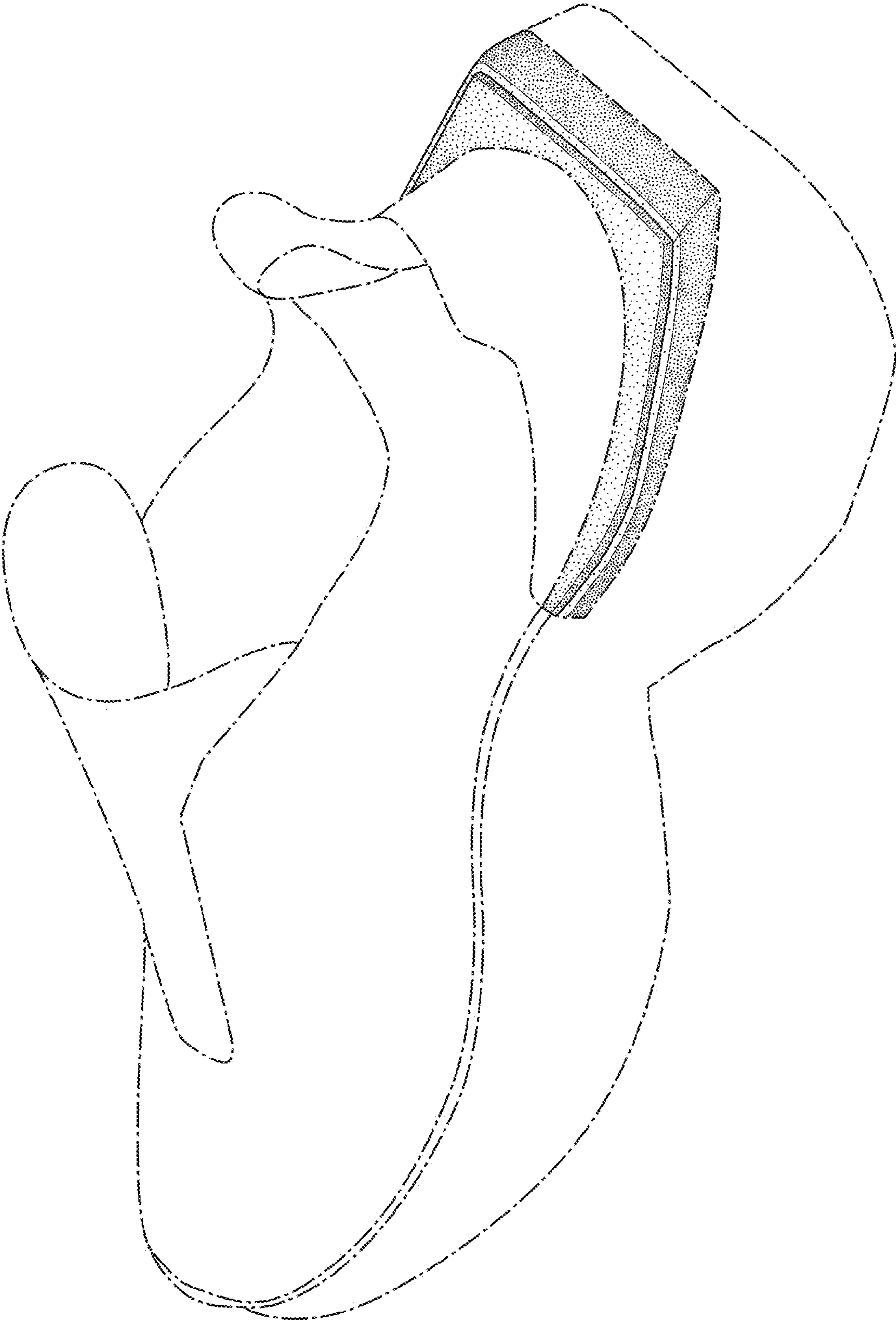


FIG. 1

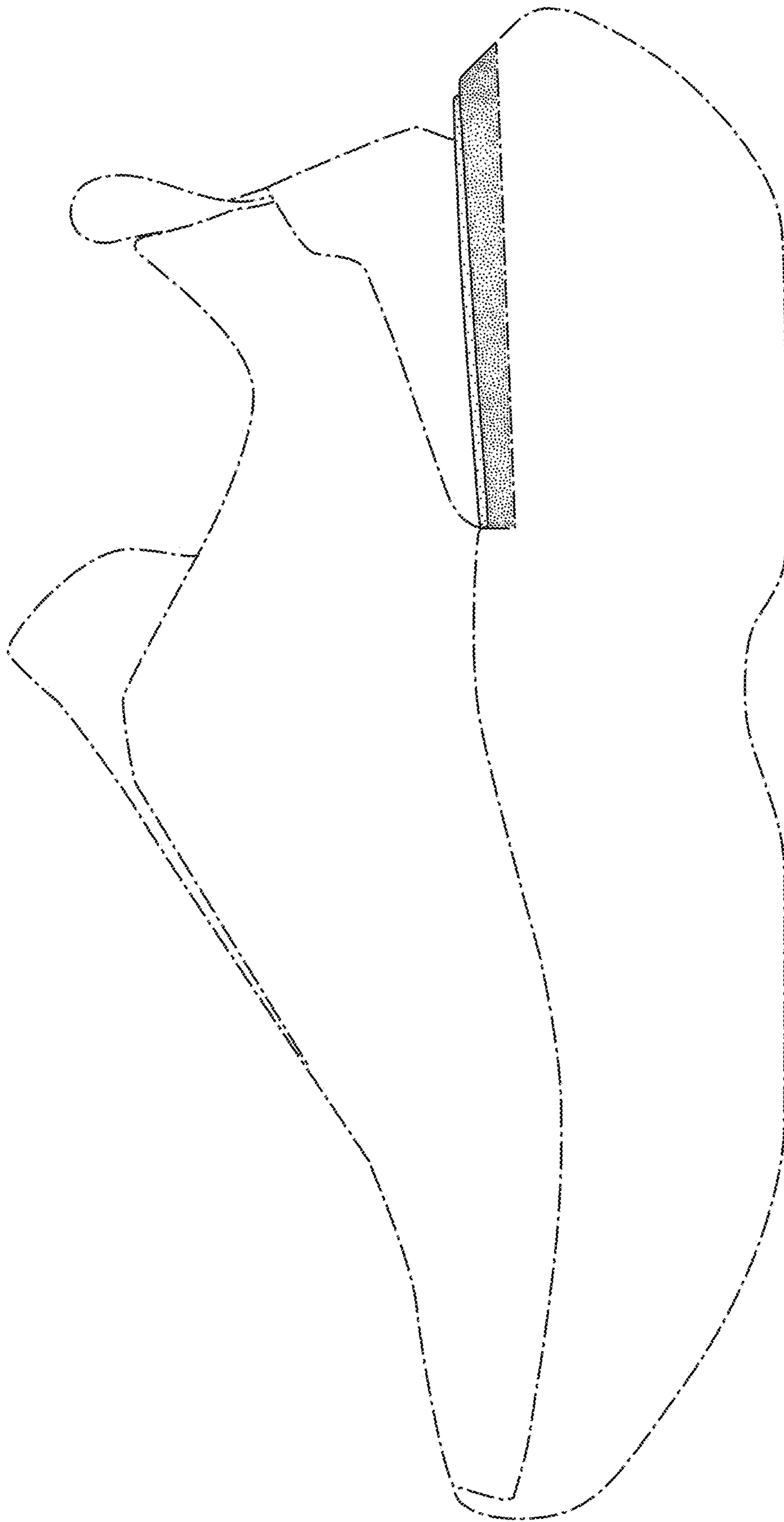


FIG. 2

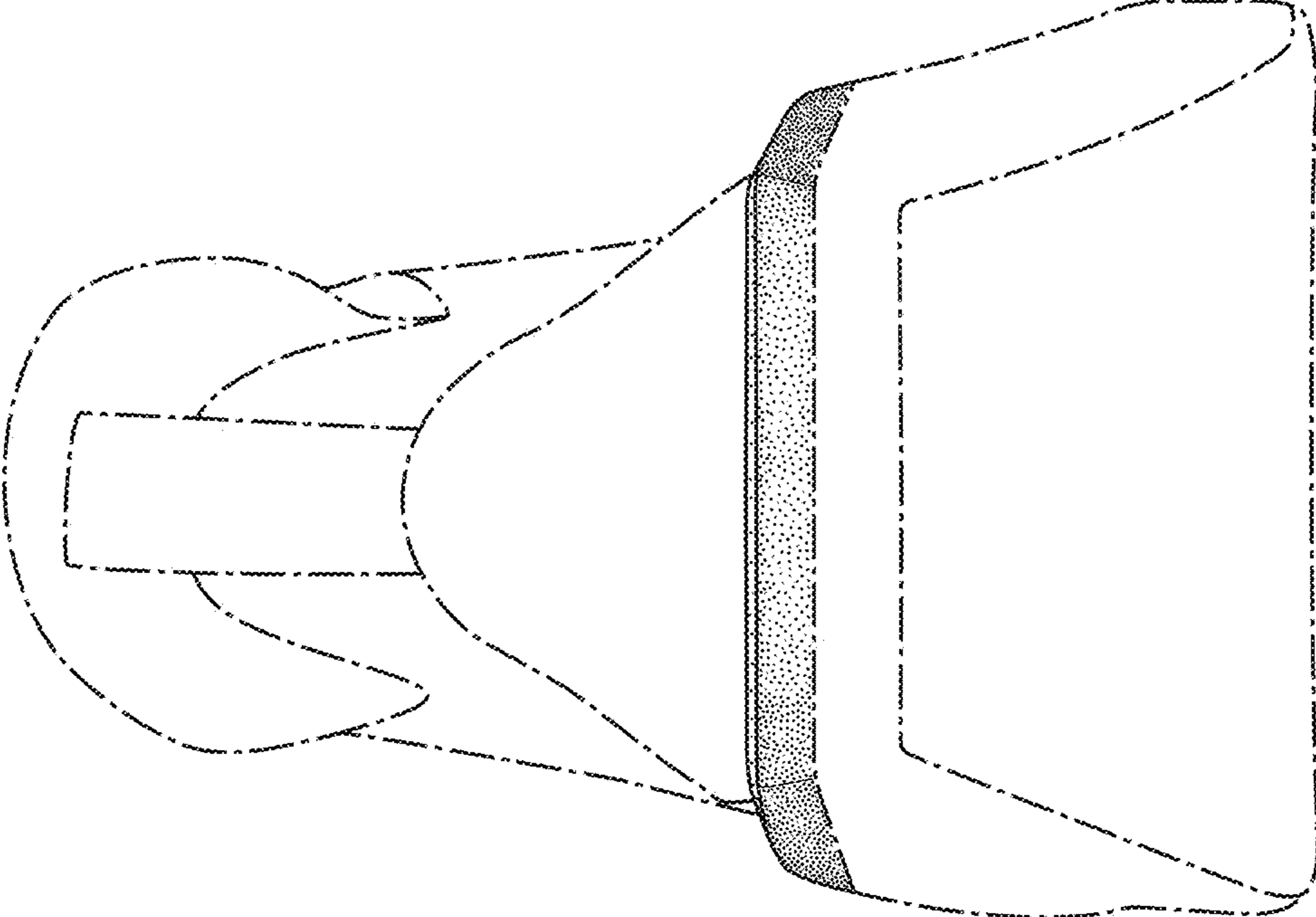


FIG. 3

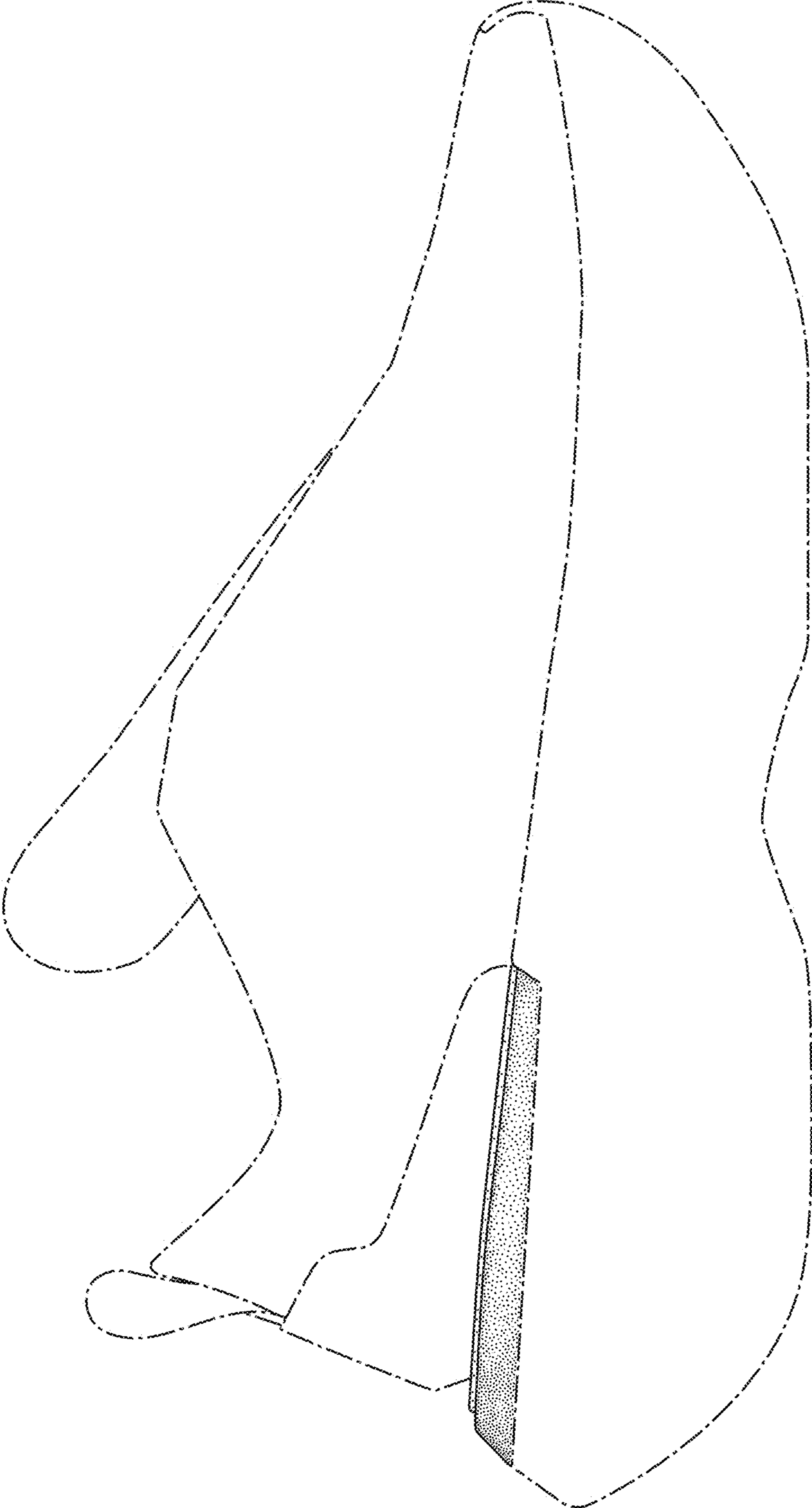


FIG. 4

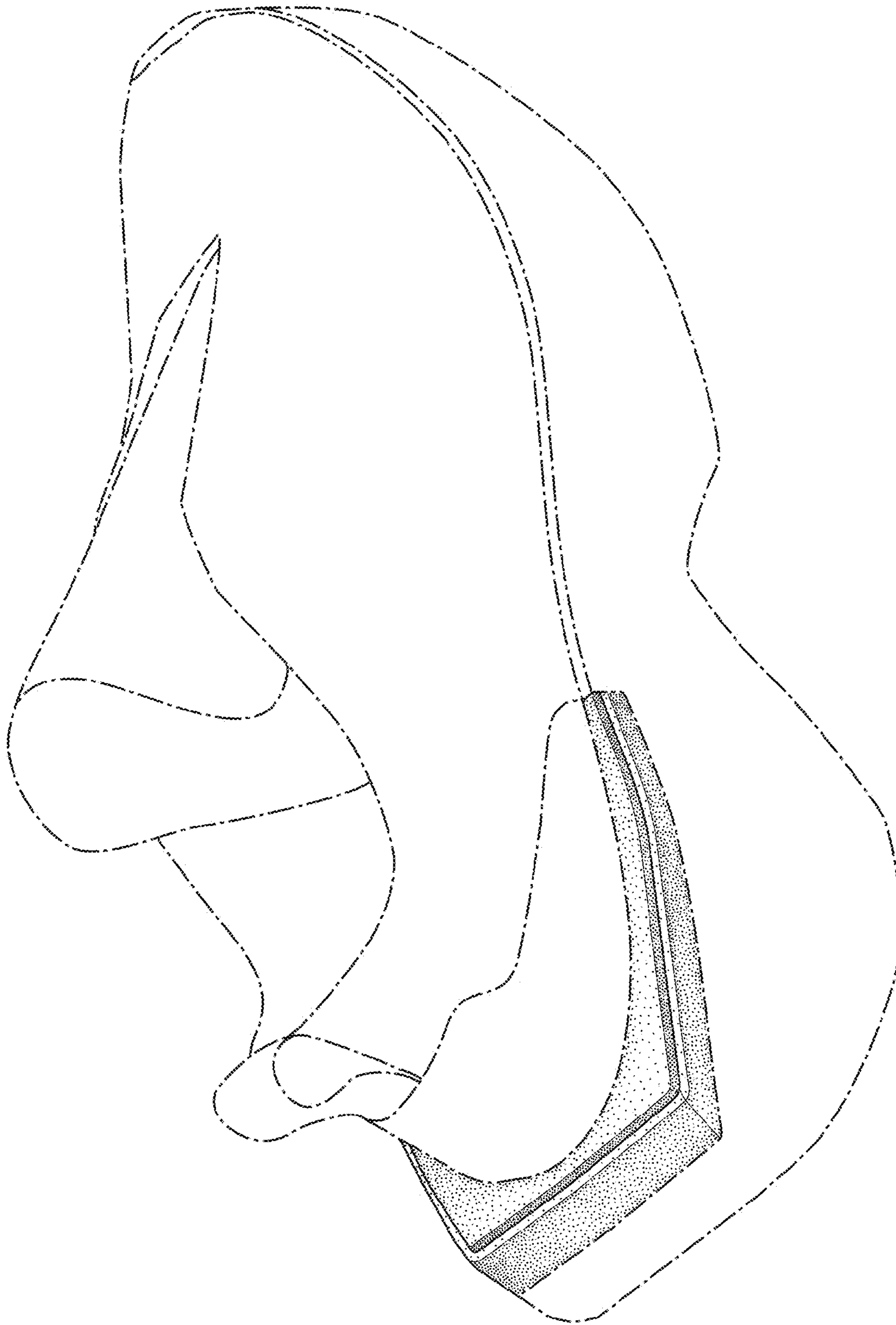


FIG. 5