

US00D876759S

(12) **United States Design Patent**  
**Driscoll**

(10) **Patent No.:** **US D876,759 S**

(45) **Date of Patent:** **\*\* Mar. 3, 2020**

(54) **FOOTWEAR**

(71) Applicant: **Feel the World Inc**, Broomfield, CO (US)

(72) Inventor: **Dennis Driscoll**, Broomfield, CO (US)

(73) Assignee: **FEEL THE WORLD, INC.**, Broomfield, CO (US)

(\*\*) Term: **15 Years**

(21) Appl. No.: **29/677,797**

(22) Filed: **Jan. 23, 2019**

(51) **LOC (12) Cl.** ..... **02-04**

(52) **U.S. Cl.**  
USPC ..... **D2/916**

(58) **Field of Classification Search**  
USPC ..... D2/896–900, 903, 916–925, 943, 946,  
D2/969, 971, 976  
CPC ..... A43B 3/12; A43B 3/122–128  
See application file for complete search history.

(56) **References Cited**

**U.S. PATENT DOCUMENTS**

D244,886 S *	7/1977	Perser	.....	A43B 3/126 D2/914
4,200,997 A *	5/1980	Scheinhaus	.....	A43B 3/126 36/11.5
4,300,294 A *	11/1981	Riecken	.....	A43B 7/26 36/101
4,446,633 A *	5/1984	Scheinhaus	.....	A43B 3/126 36/11.5
4,817,302 A *	4/1989	Saltsman	.....	A43B 3/122 36/11.5
D360,973 S *	8/1995	Bailey	.....	A43B 3/126 D2/916

D461,042 S *	8/2002	Urie	.....	D2/916
6,606,803 B1 *	8/2003	Ritter	.....	A43B 3/126 36/11.5
7,103,993 B2 *	9/2006	Sakai	.....	A43B 3/122 36/11.5
D560,344 S *	1/2008	Belley	.....	A43B 3/126 D2/916

\* cited by examiner

*Primary Examiner* — Rashida C. Walshon

(74) *Attorney, Agent, or Firm* — Dorsey & Whitney LLP

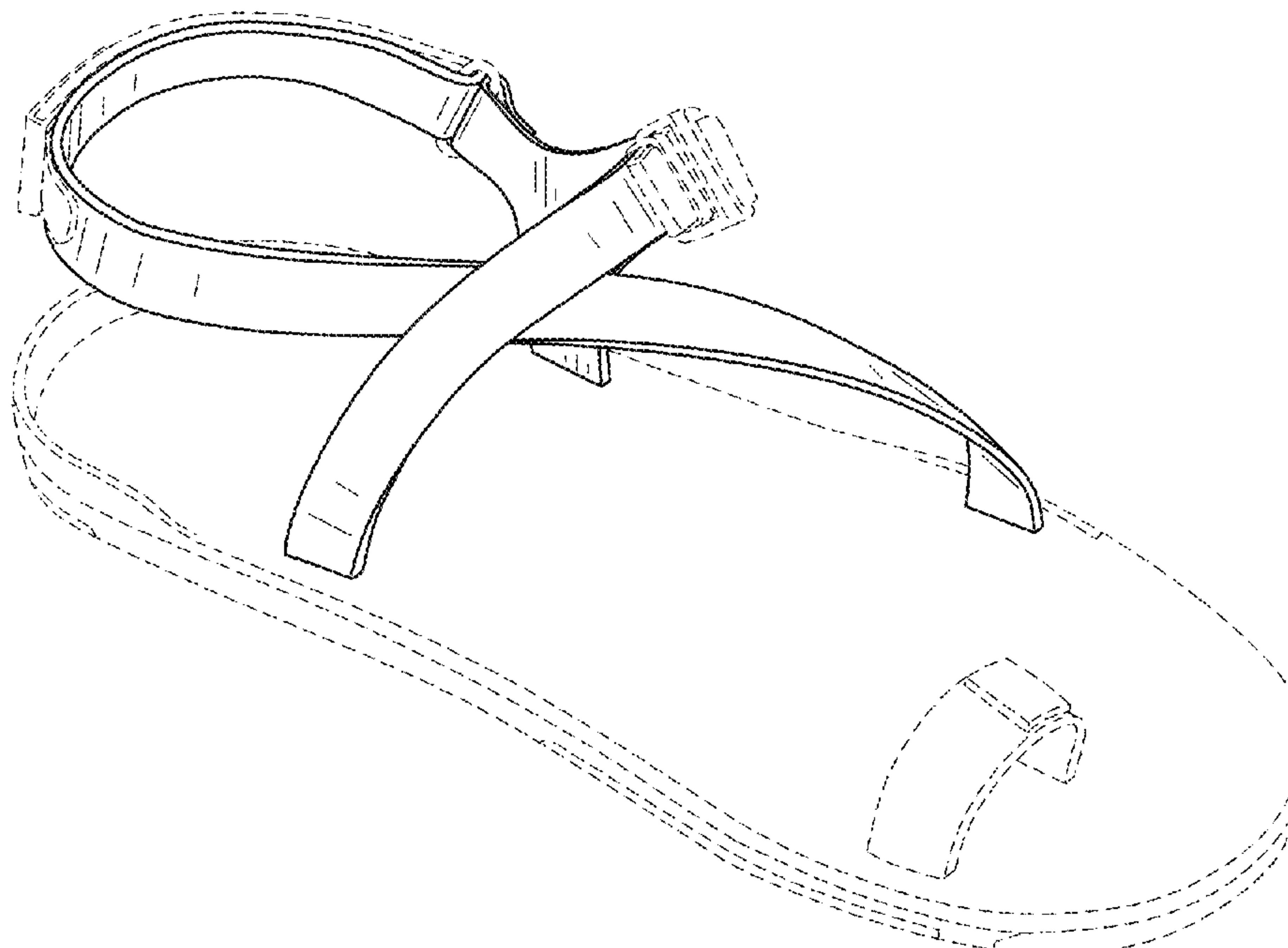
(57) **CLAIM**

The ornamental design for a footwear, as shown and described.

**DESCRIPTION**

FIG. 1 is a left isometric view of footwear shown as when positioned on a foot.  
 FIG. 2 is a top plan view of the footwear of FIG. 1.  
 FIG. 3 is a bottom plan view of the footwear of FIG. 1.  
 FIG. 4 is an inner elevation view of the footwear of FIG. 1.  
 FIG. 5 is an outer elevation view of the footwear of FIG. 1.  
 FIG. 6 is a front elevation view of the footwear of FIG. 1.  
 FIG. 7 is a rear elevation view of the footwear of FIG. 1; and,  
 FIG. 8 is a left isometric view of the footwear of FIG. 1 showing a foot in broken lines for environmental structure. The broken lines in FIG. 8 illustrate a wearer's foot for the purpose of illustrating environmental structure and form no part of the claimed design. The remaining broken lines in the figures illustrate bounds of the claimed design and form no part thereof.

**1 Claim, 6 Drawing Sheets**



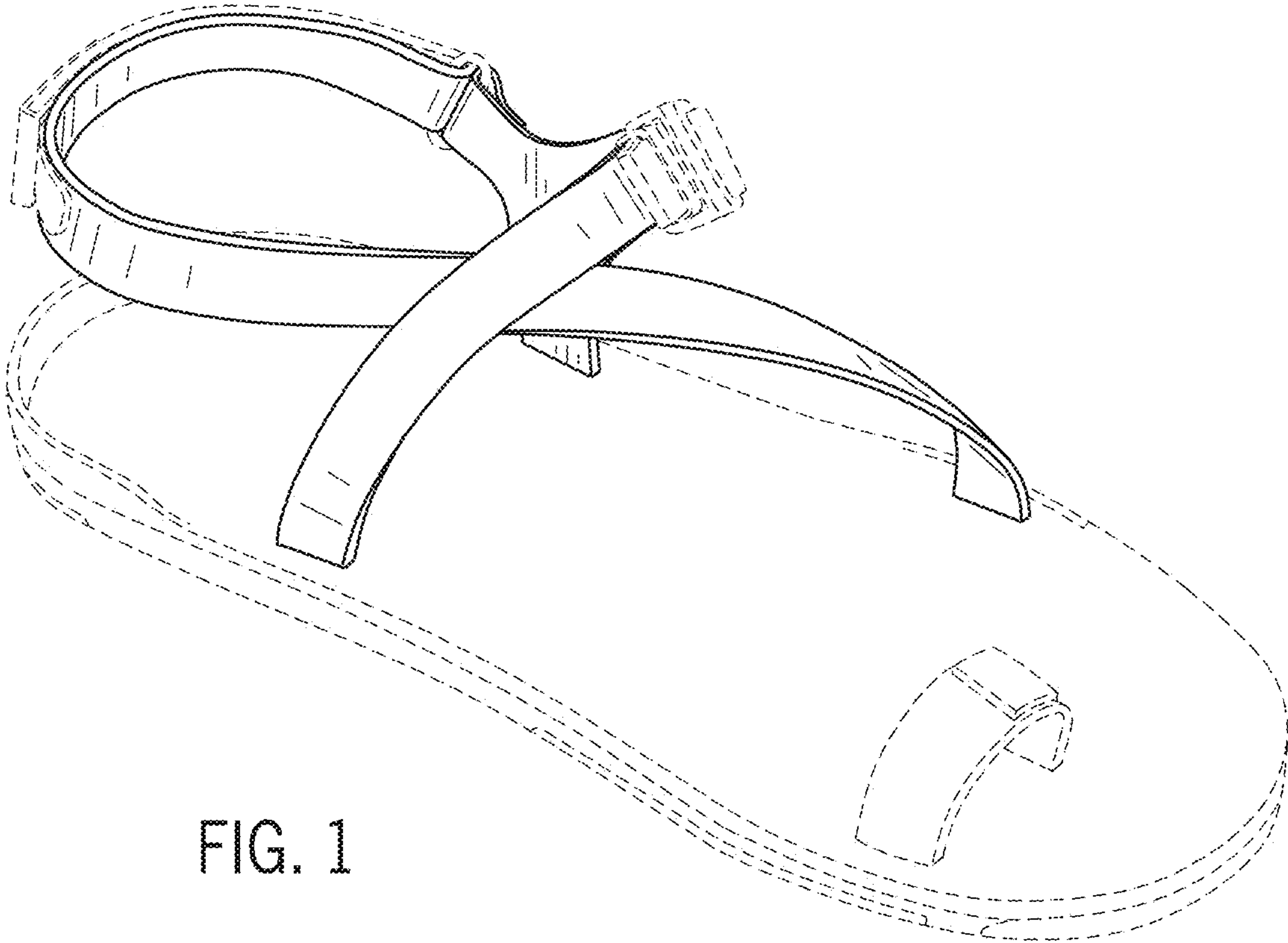


FIG. 1

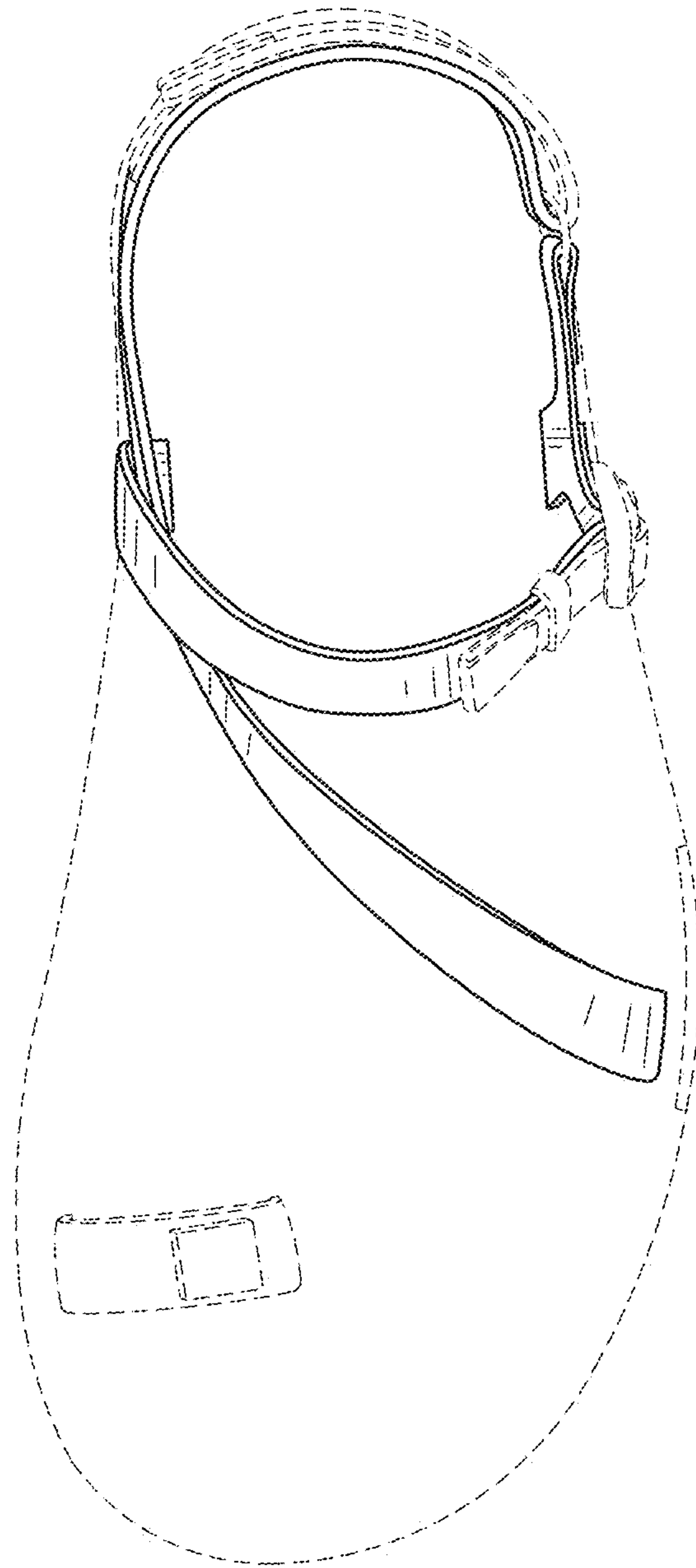


FIG. 2

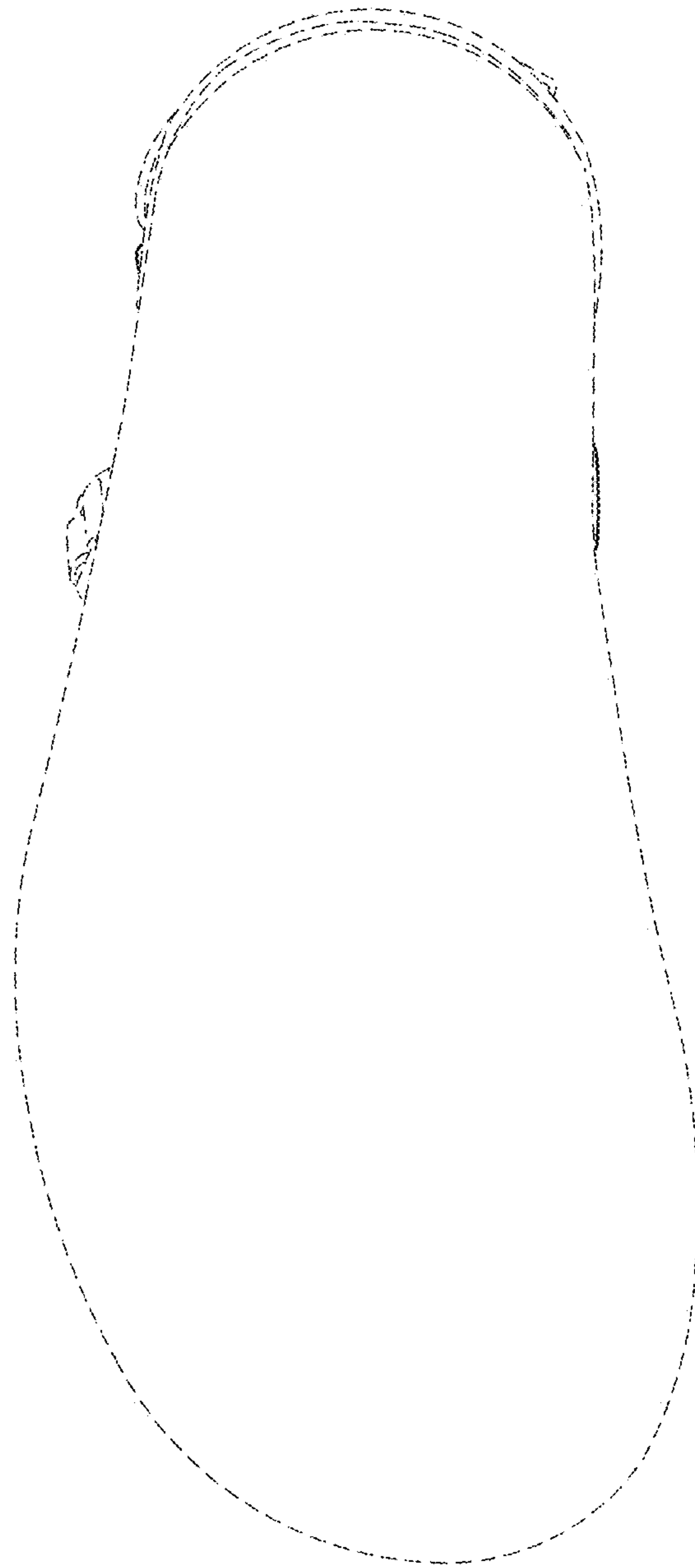


FIG. 3

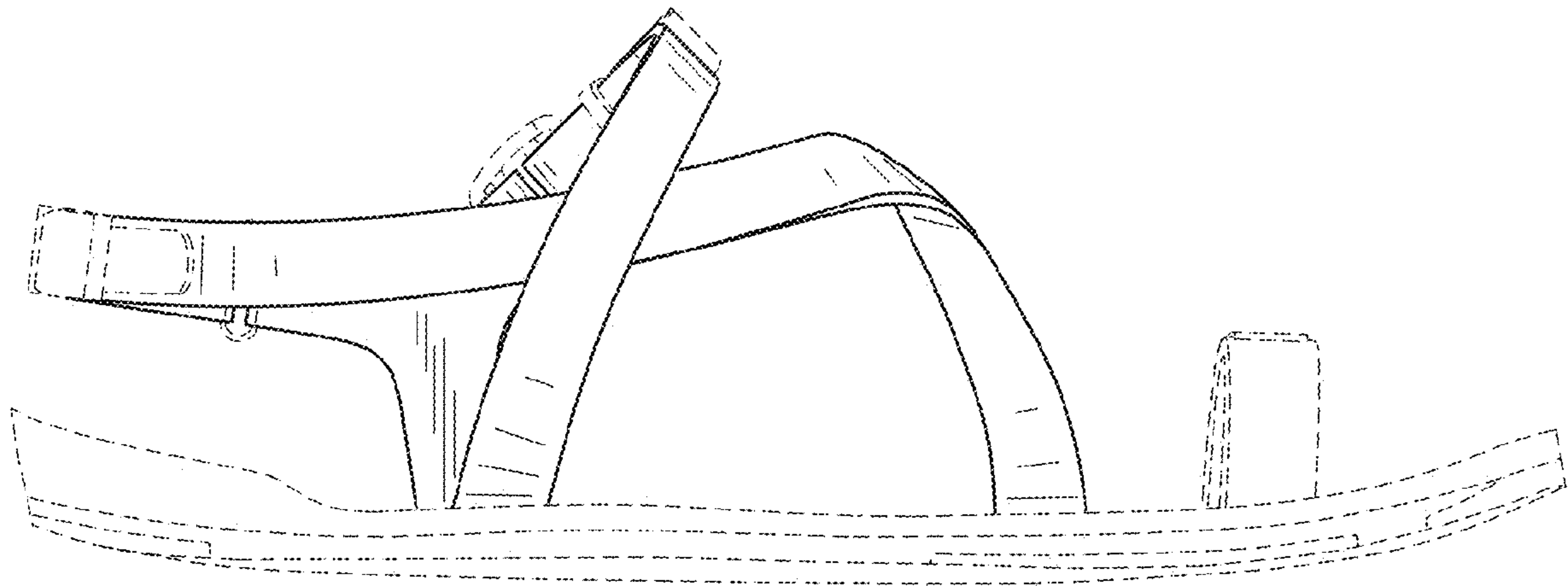


FIG. 4

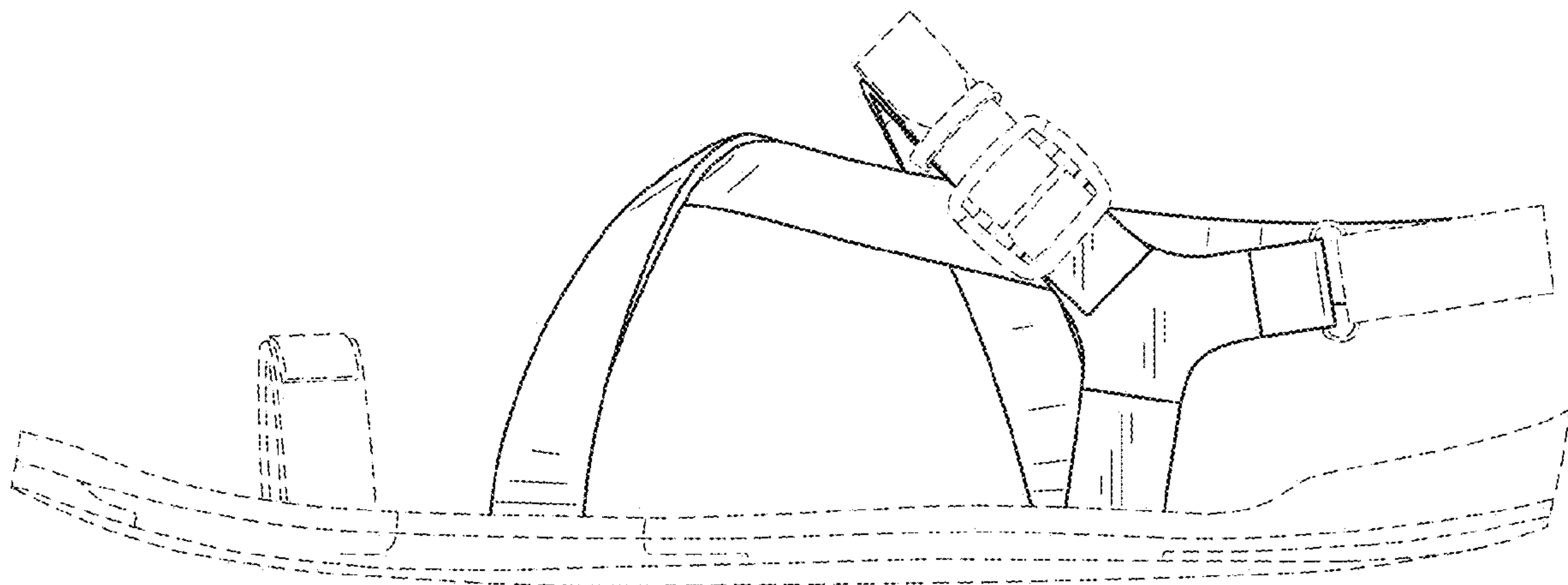


FIG. 5

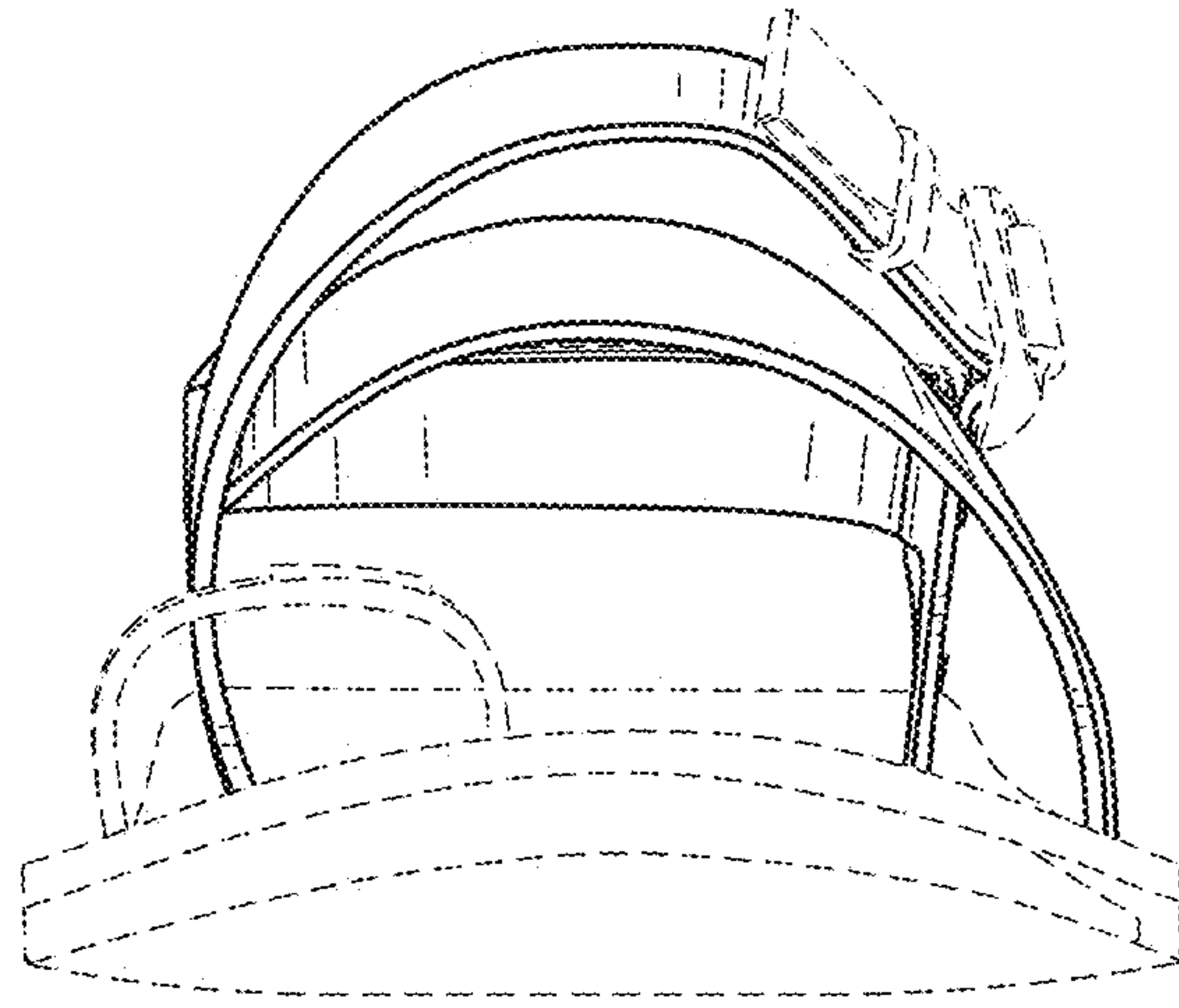


FIG. 6

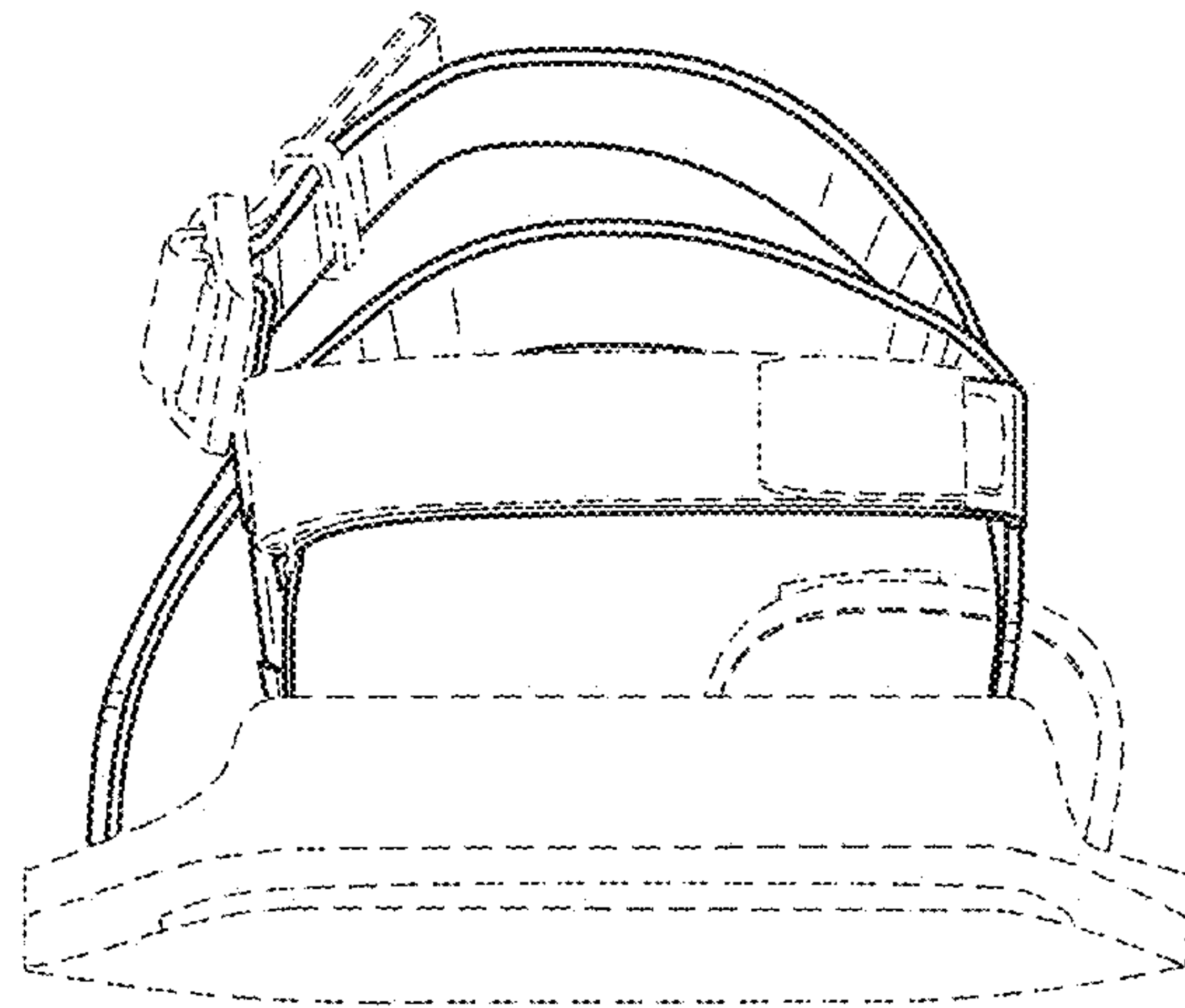


FIG. 7



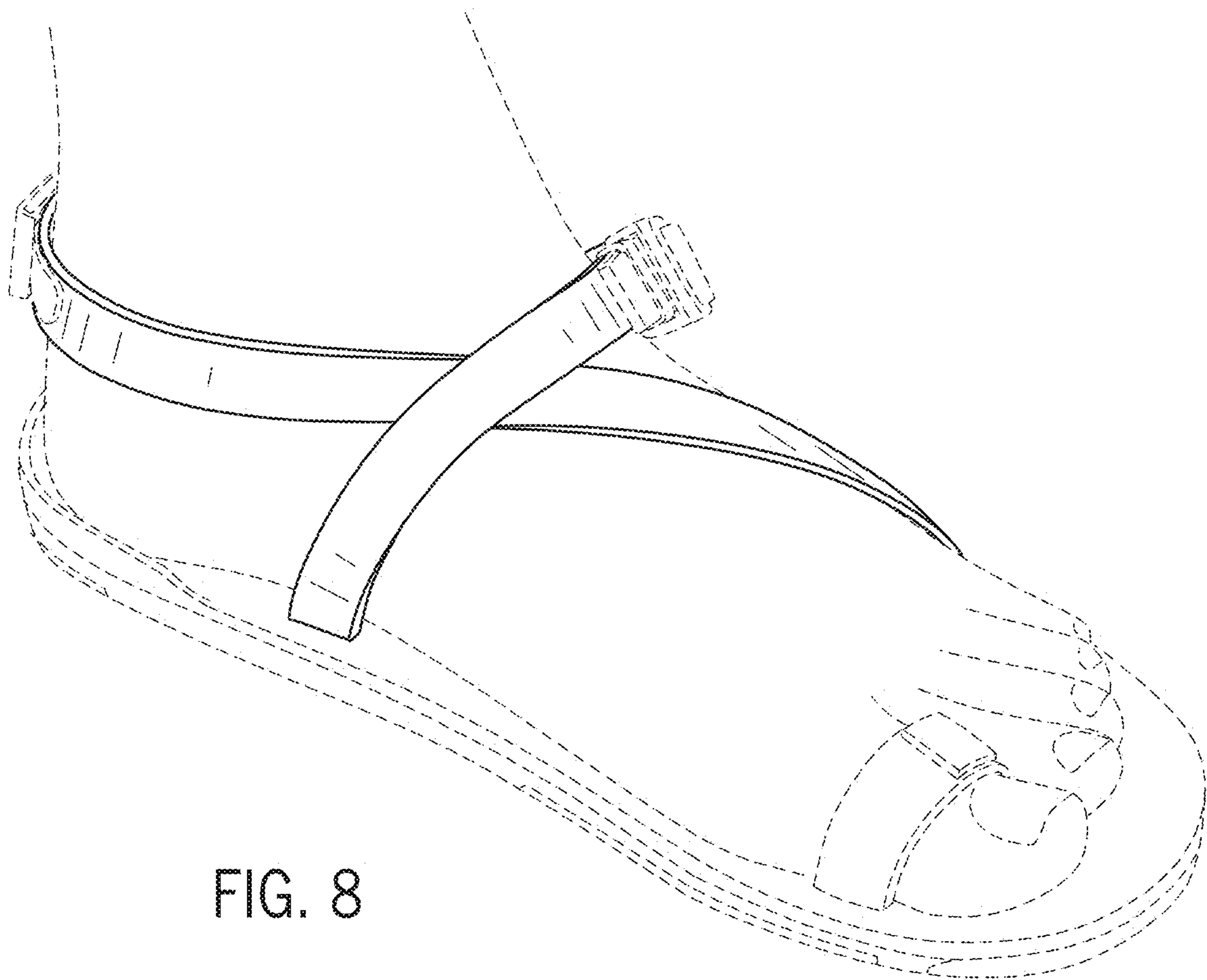


FIG. 8