



US00D876754S

(12) **United States Design Patent**
Pauline

(10) **Patent No.:** **US D876,754 S**
(45) **Date of Patent:** **** Mar. 3, 2020**

- (54) **VENT FOR LEGWEAR**
- (71) Applicant: **David Pauline**, Maryville, IL (US)
- (72) Inventor: **David Pauline**, Maryville, IL (US)
- (**) Term: **15 Years**
- (21) Appl. No.: **29/626,943**
- (22) Filed: **Nov. 21, 2017**
- (51) **LOC (12) Cl.** **02-02**
- (52) **U.S. Cl.**
USPC **D2/853**
- (58) **Field of Classification Search**
USPC D2/830, 853, 742
CPC A41D 27/28
See application file for complete search history.

- 2004/0237168 A1* 12/2004 Braun A41D 27/28
2/93
- 2005/0235392 A1* 10/2005 Bay A41D 3/00
2/93
- 2006/0080987 A1* 4/2006 Ichigaya A41D 13/0025
62/259.3
- 2008/0040832 A1* 2/2008 Bay A41D 27/28
2/93
- 2008/0184454 A1* 8/2008 Collier A41D 1/06
2/93

(Continued)

FOREIGN PATENT DOCUMENTS

WO 2013061032 A1 5/2013

OTHER PUBLICATIONS

“Ventz Range—Ride Cooling System”, <https://www.ventz-range.com/>, Sep. 18, 2017, 8 pages.

Primary Examiner — Kevin K Rudzinski

(74) *Attorney, Agent, or Firm* — Armstrong Teasdale LLP

(56) **References Cited**

U.S. PATENT DOCUMENTS

- 4,576,087 A * 3/1986 Wolfe A41D 27/28
2/87
- 5,105,477 A * 4/1992 Golde A41D 27/10
2/108
- 5,704,064 A 1/1998 van der Sleen
- 6,085,353 A 7/2000 van der Sleen
- 6,263,510 B1 7/2001 Bay et al.
- 6,427,242 B1 8/2002 Bush et al.
- 6,442,760 B2* 9/2002 Moretti A41D 27/28
2/115
- D479,901 S * 9/2003 Brownlee D2/828
- 7,017,191 B2 3/2006 Golde
- 7,284,282 B2 10/2007 Bay
- 9,125,444 B2 9/2015 Mahaney
- D742,623 S 11/2015 Warren
- 9,375,040 B2 6/2016 Rosenbaum
- 9,615,615 B2 4/2017 Slank et al.
- 10,264,830 B2* 4/2019 Ichigaya A41D 13/0025
- 10,426,204 B2* 10/2019 Squires A41D 13/0025
- 2003/0013368 A1* 1/2003 Braun A41D 27/285
442/168
- 2003/0140404 A1* 7/2003 Golde A41D 27/28
2/465

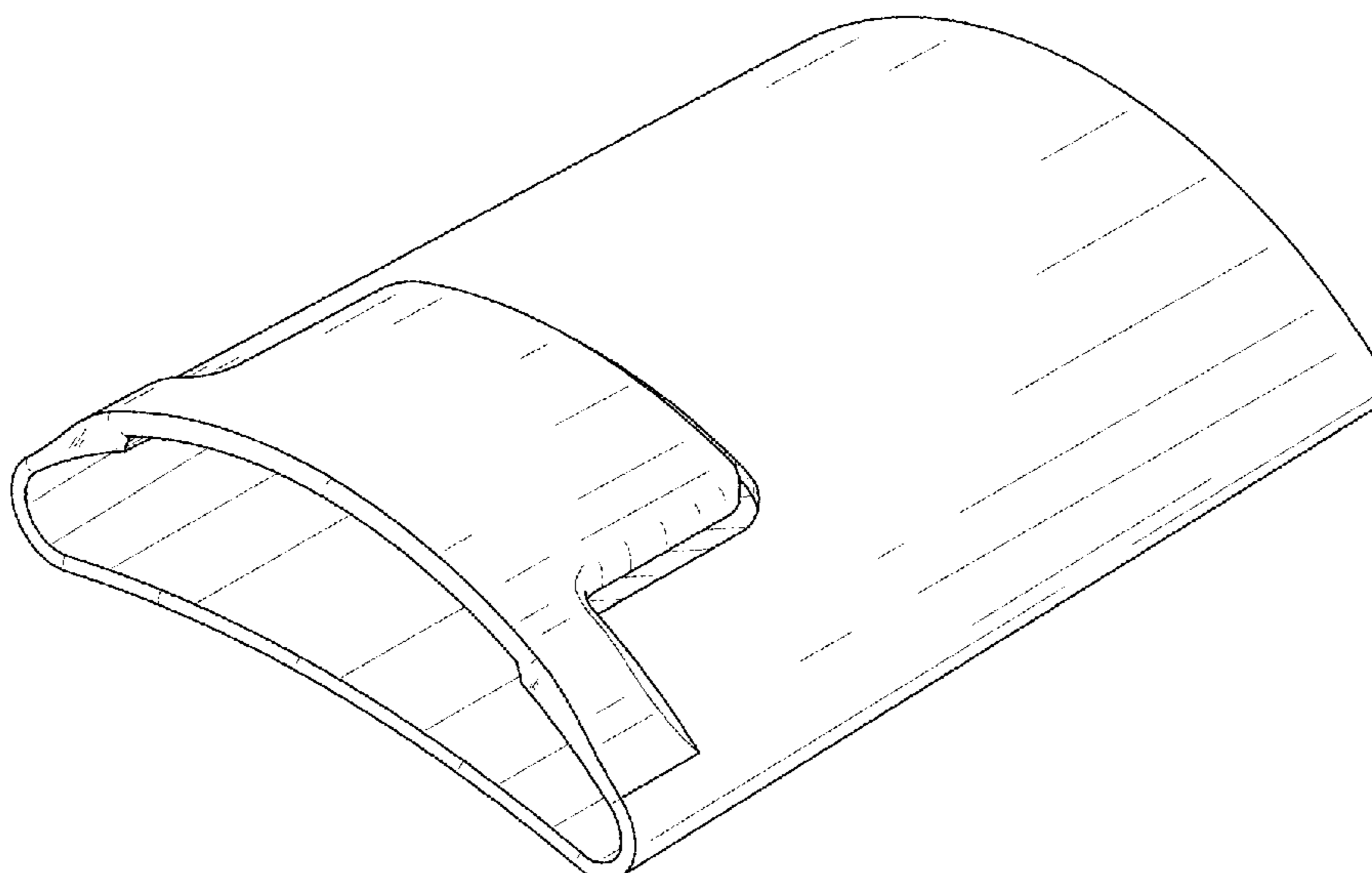
(57) **CLAIM**

I claim the ornamental design for a vent for legwear, as substantially shown and described.

DESCRIPTION

FIG. 1 is a front perspective view of a vent for legwear. FIG. 2 is a front elevational view of the vent shown in FIG. 1. FIG. 3 is a rear elevational view of the vent shown in FIG. 1. FIG. 4 is a right side elevational view of the vent shown in FIG. 1. FIG. 5 is a left side elevational view of the vent shown in FIG. 1. FIG. 6 is a bottomview of the vent shown in FIG. 1; and, FIG. 7 is a top view of the vent shown in FIG. 1.

1 Claim, 7 Drawing Sheets



(56)

References Cited

U.S. PATENT DOCUMENTS

2009/0265829 A1* 10/2009 Gomes Seguin A41D 3/04
2/87
2009/0271917 A1* 11/2009 Richardson A41D 13/0025
2/458
2014/0196192 A1* 7/2014 Koller A41D 3/02
2/85
2017/0156425 A1* 6/2017 Jeong A41D 27/02

* cited by examiner

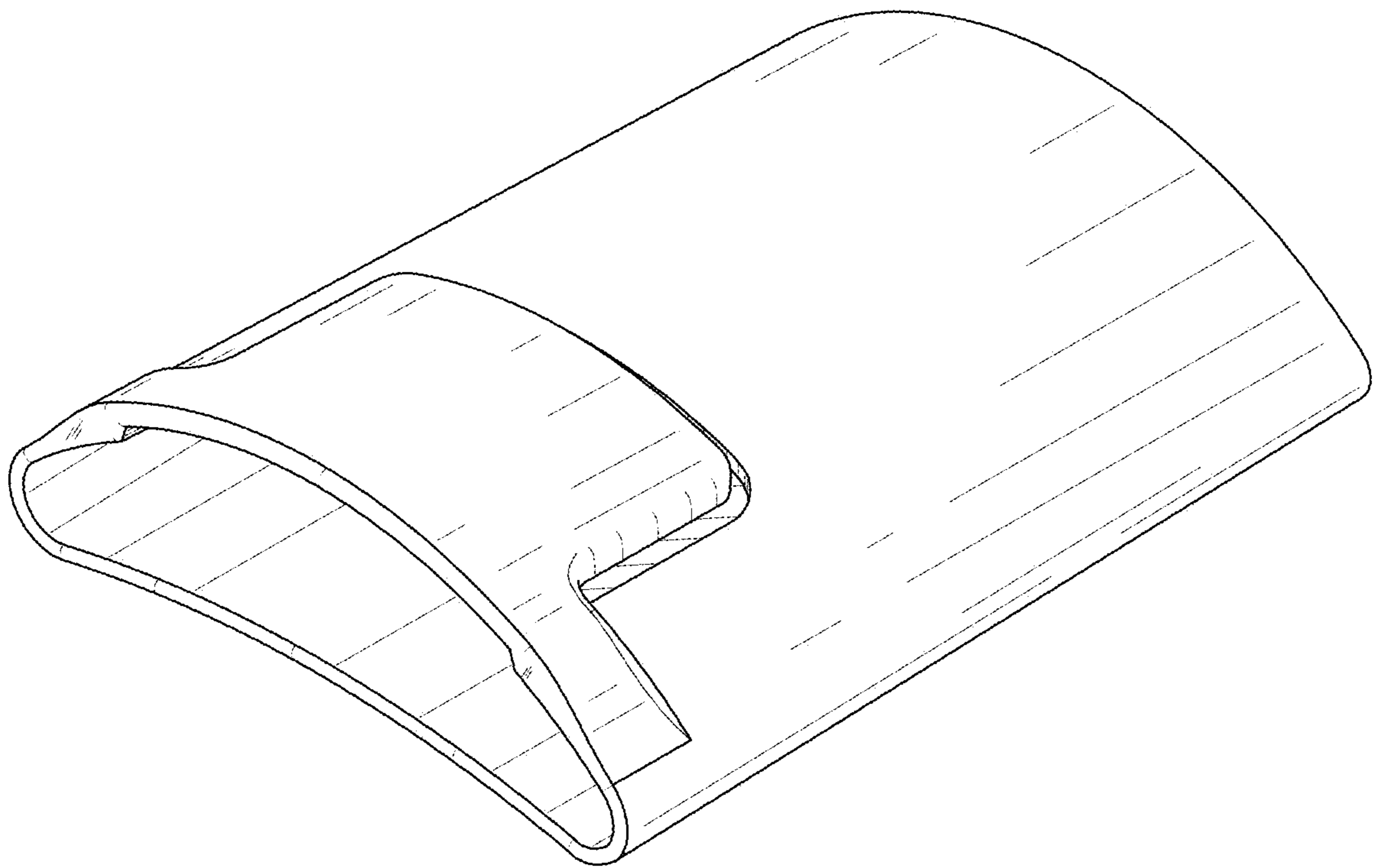


FIG. 1

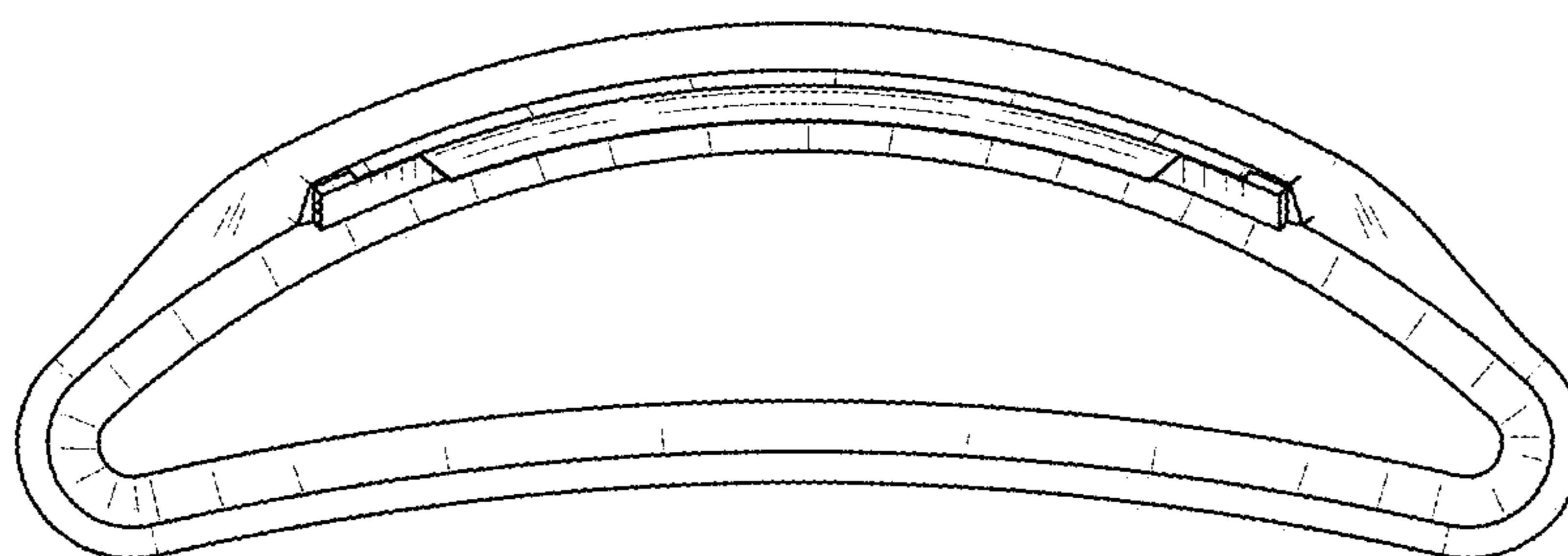


FIG. 2

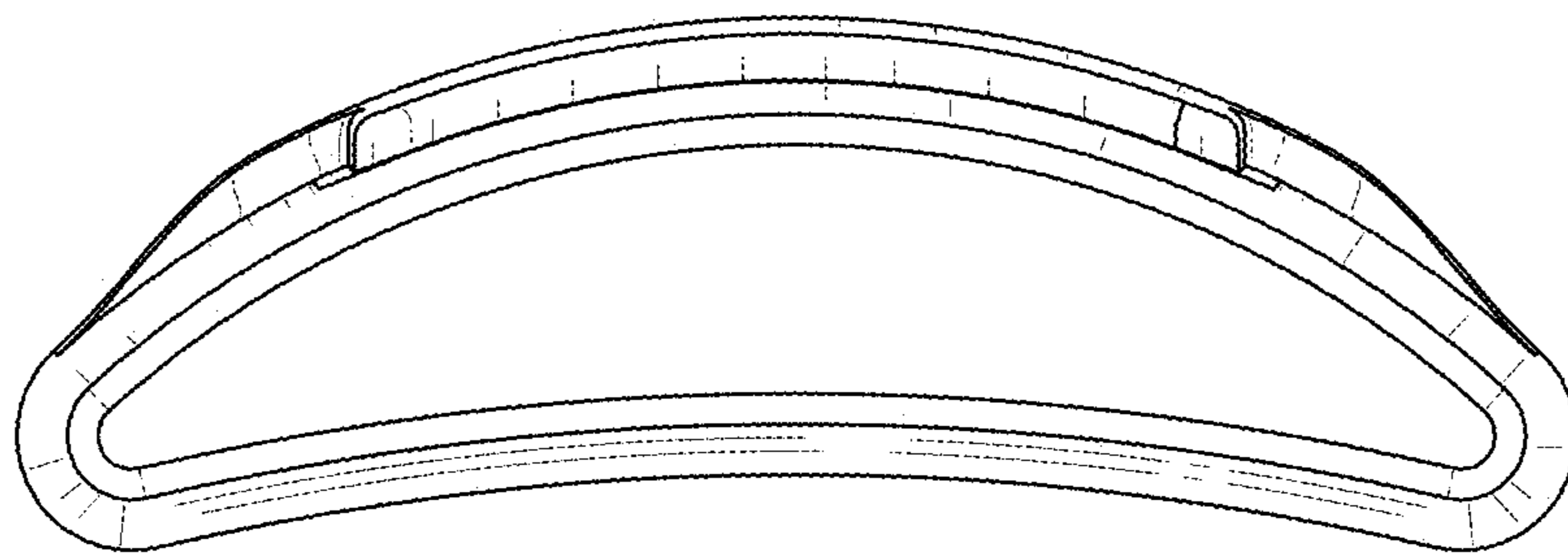


FIG. 3

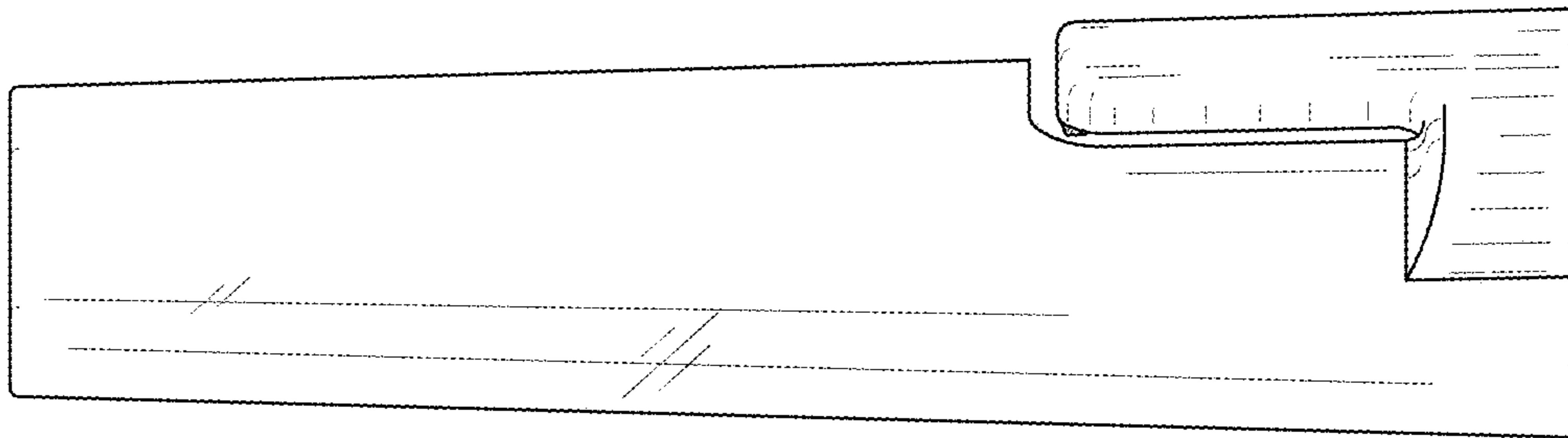


FIG. 4

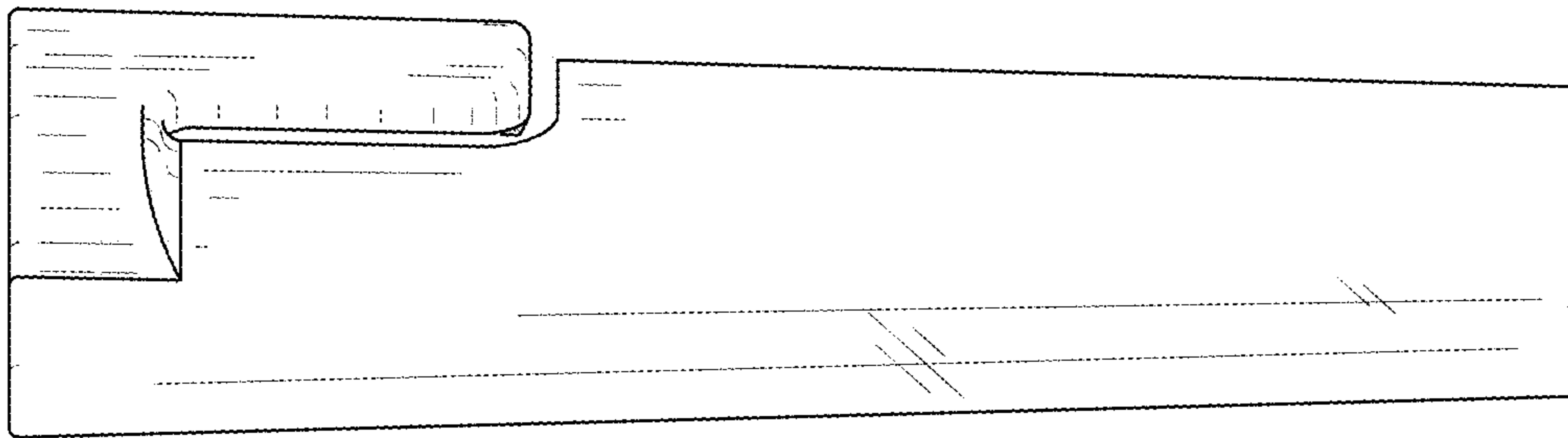


FIG. 5

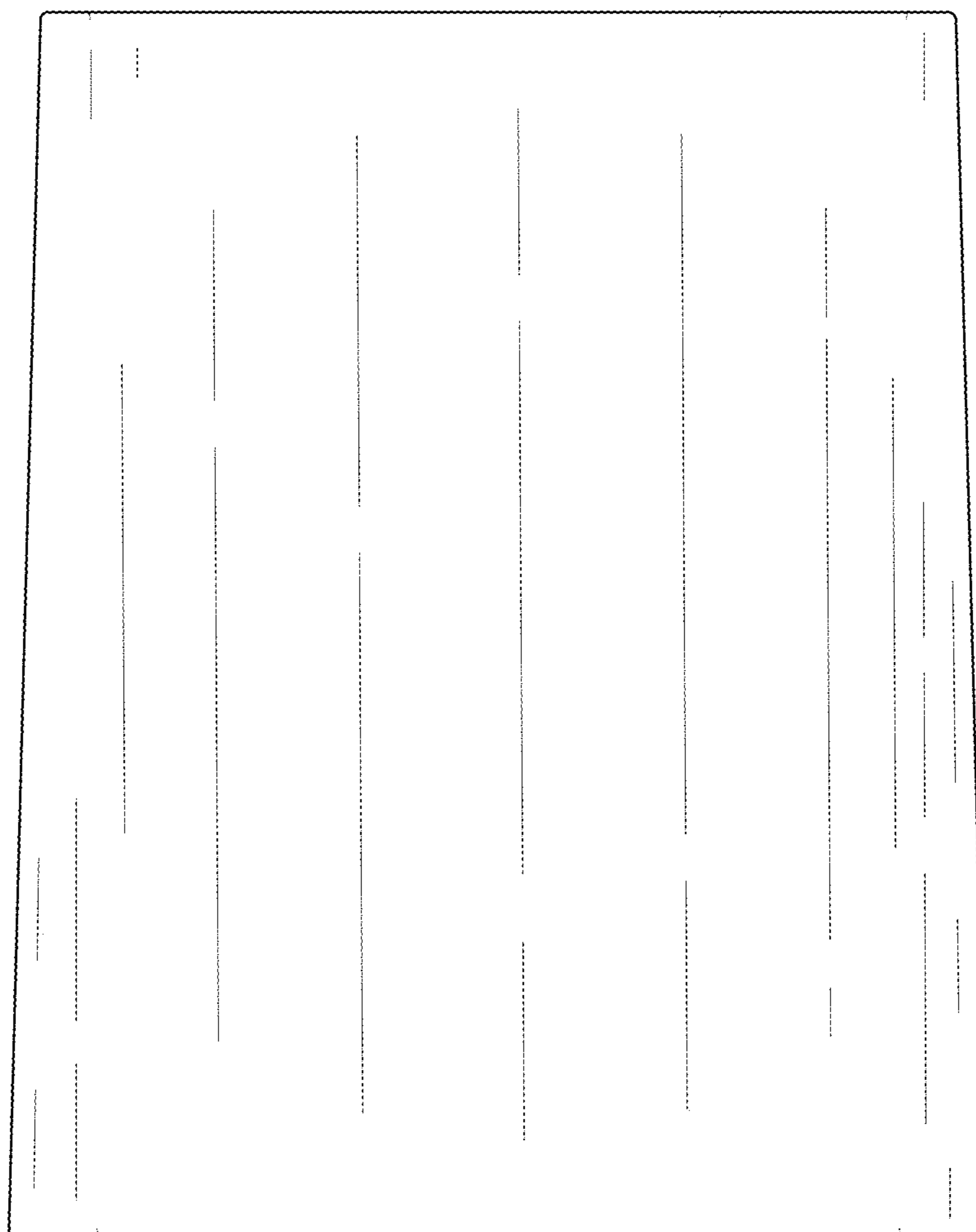


FIG. 6

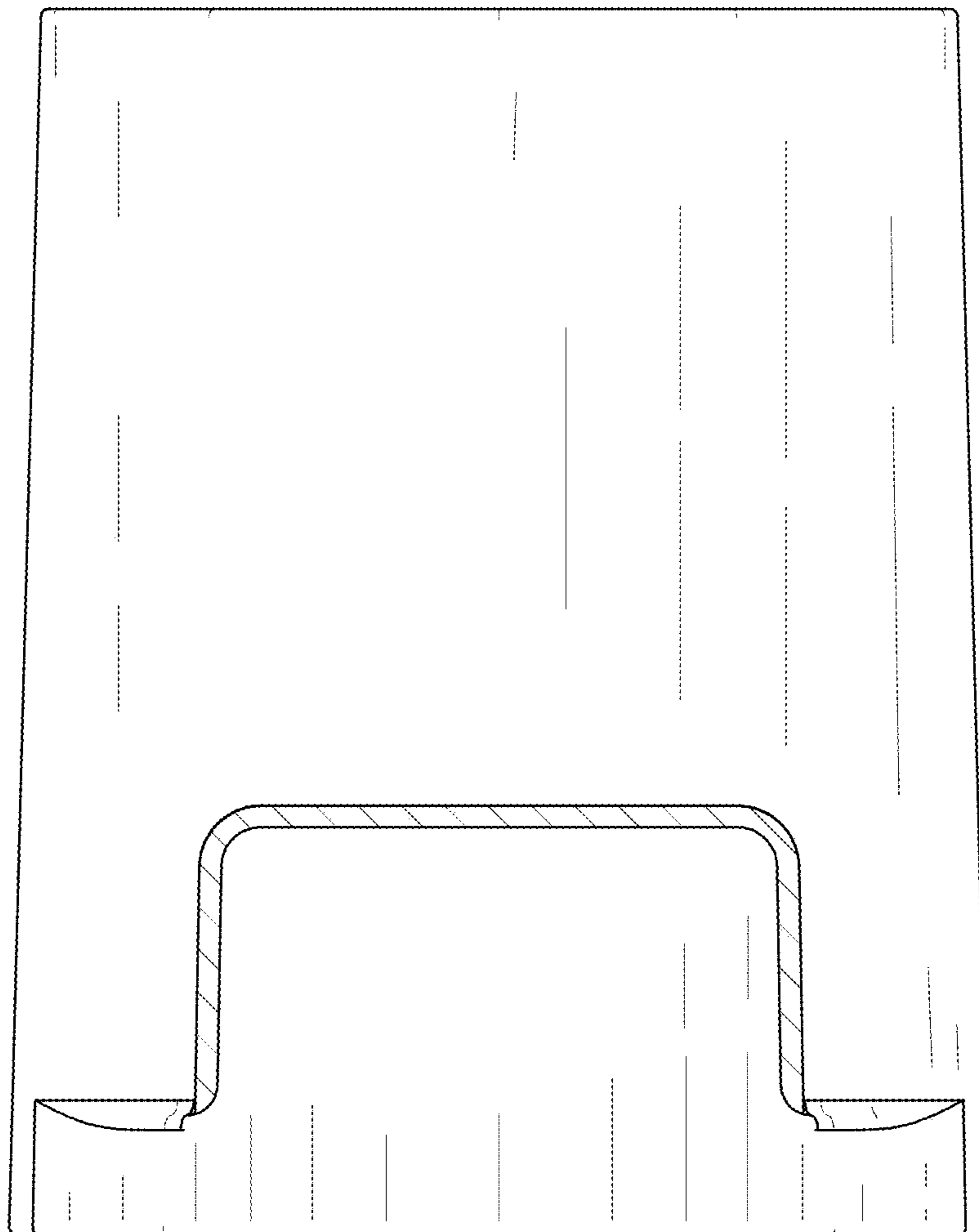


FIG. 7