



US00D876750S

(12) **United States Design Patent**
Benavides

(10) **Patent No.:** **US D876,750 S**
(45) **Date of Patent:** **** Mar. 3, 2020**

- (54) **PADDED UNDERWEAR**
- (71) Applicant: **Rounderbum LLC.**, West Hollywood, CA (US)
- (72) Inventor: **Jamil Nacif Benavides**, Mexico City (MX)
- (73) Assignee: **Rounderbum, LLC.**, West Hollywood, CA (US)
- (**) Term: **15 Years**
- (21) Appl. No.: **29/616,914**
- (22) Filed: **Sep. 10, 2017**
- (51) **LOC (12) Cl.** **02-01**
- (52) **U.S. Cl.**
USPC **D2/712**
- (58) **Field of Classification Search**
USPC D2/700, 711-717, 731-738, 742, 748, D2/857, 728, 860-864
CPC .. A41B 11/00; A41B 9/04; A41B 9/12; A41B 9/023; A41B 9/001; A41D 13/015; A41D 13/0537
See application file for complete search history.

- D583,529 S * 12/2008 Gardner, III A41B 9/12 D2/704
- 7,704,120 B2 * 4/2010 Chen A41B 9/001 2/466
- 8,108,950 B1 * 2/2012 Bowersox-Evans A41B 9/04 2/406
- 9,532,613 B2 * 1/2017 Foley A41D 13/015
- D816,944 S * 5/2018 Gonzalez A41B 9/001 D2/712
- 10,092,042 B2 * 10/2018 Samuel A41B 9/12
- * cited by examiner

Primary Examiner — Rashida C. Walshon
(74) *Attorney, Agent, or Firm* — Treasure IP Group, LLC

(57) **CLAIM**

An ornamental design for a padded underwear, as shown and described.

DESCRIPTION

FIG. 1 is a back elevational view of the padded underwear showing my new design;
FIG. 2 is a front elevational view of the padded underwear of FIG. 1;
FIG. 3 is a left plan view thereof;
FIG. 4 is a right plan view thereof;
FIG. 5 is a top plan view thereof;
FIG. 6 is a bottom plan view thereof.
FIG. 7 is an inside back elevational view of the padded underwear illustrating stitches; and,
FIG. 8 is the left plan view of FIG. 7.

The dashed dotted lines on the design indicate stitching. The broken lines showing the remainder of the garment illustrates the environment in which the design is used. None of the broken-line subject matter forms a part of the claimed design.

1 Claim, 8 Drawing Sheets

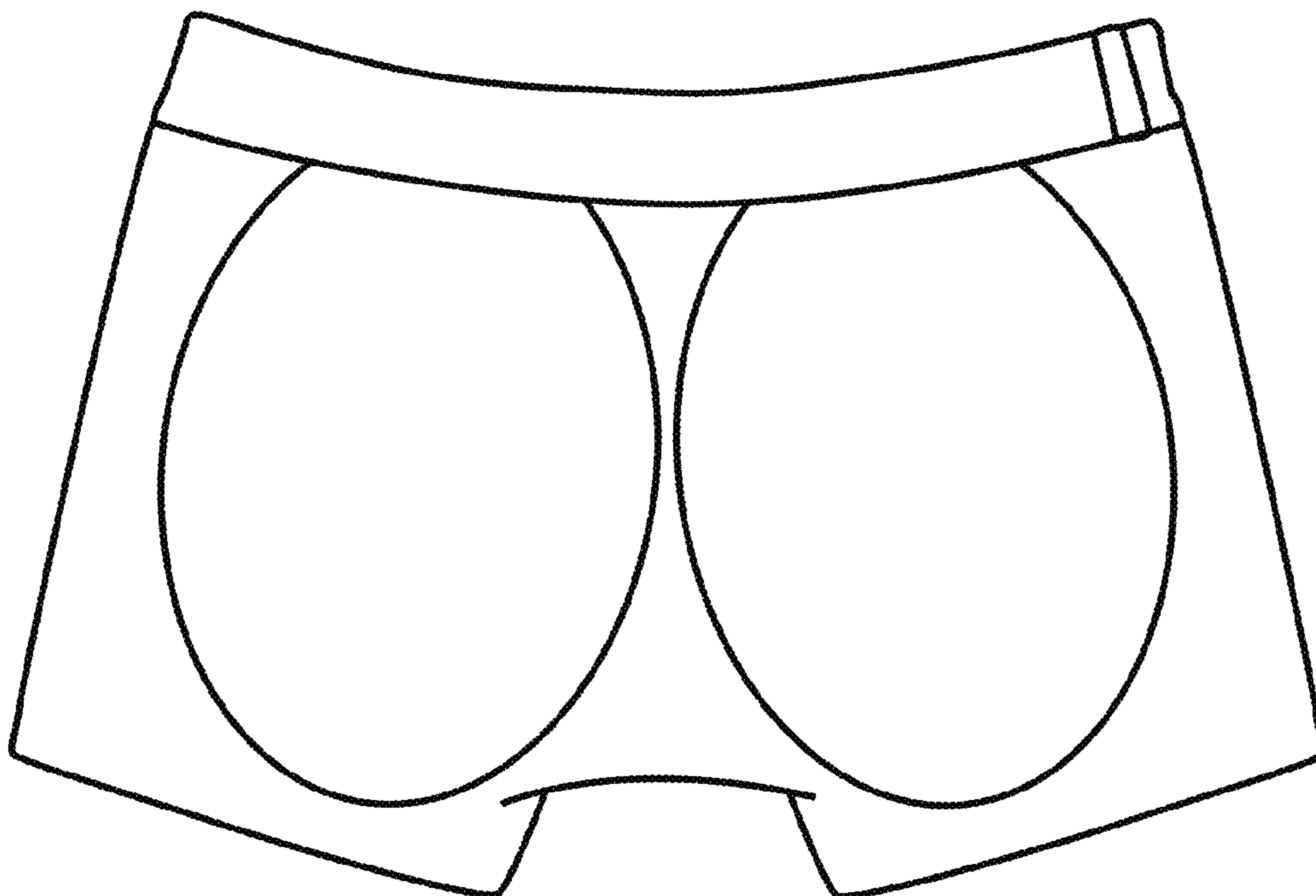
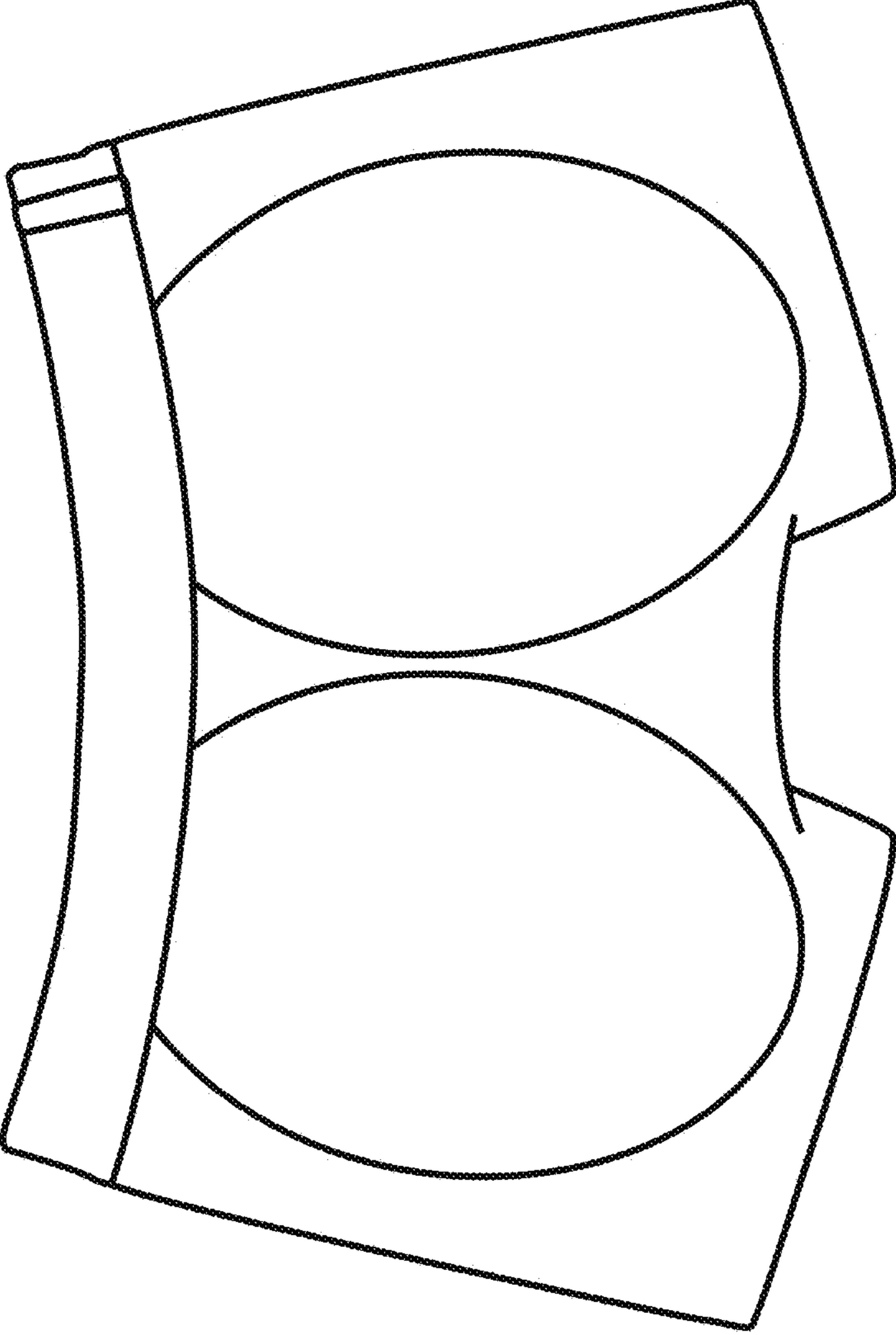


FIG. 1



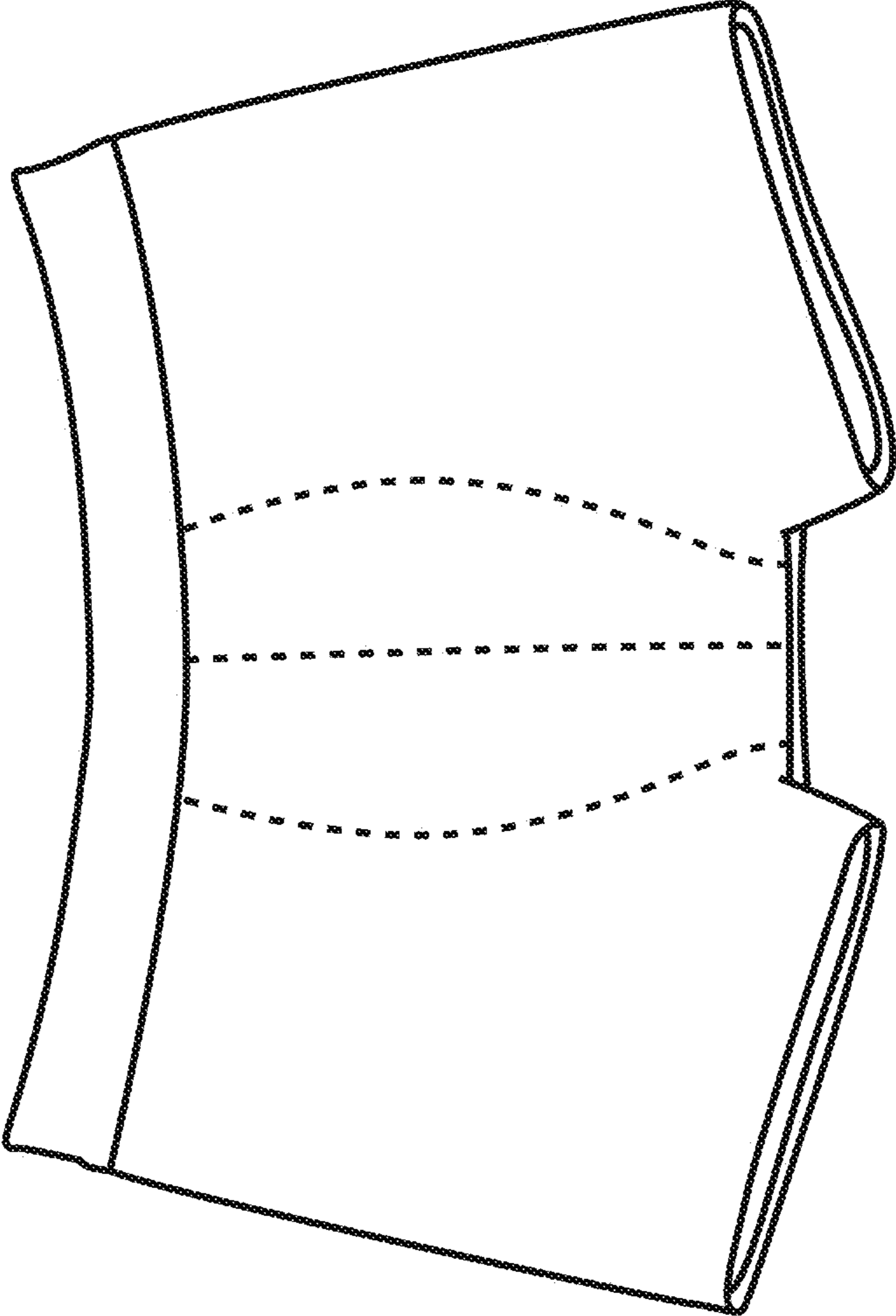


FIG. 2

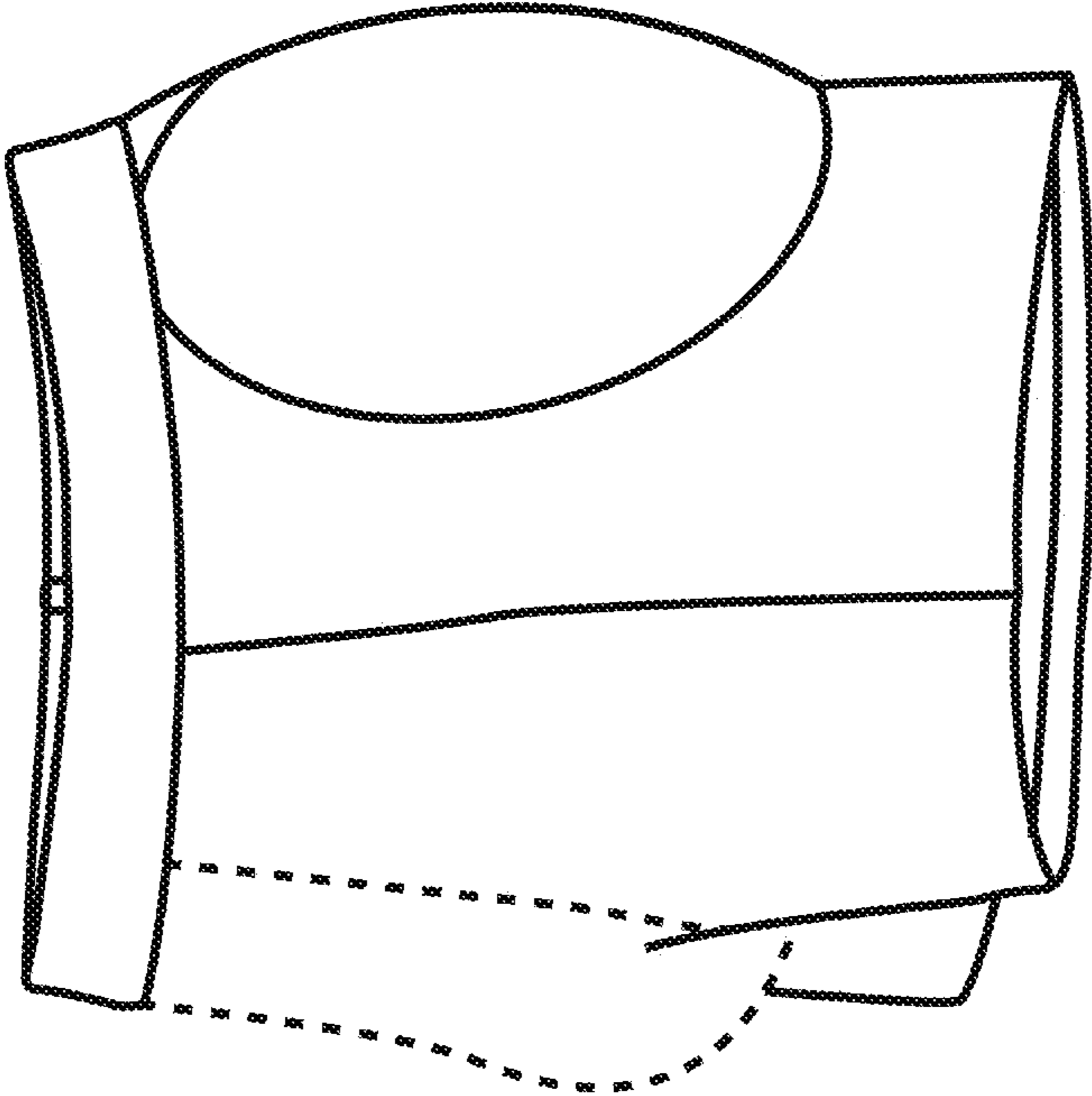
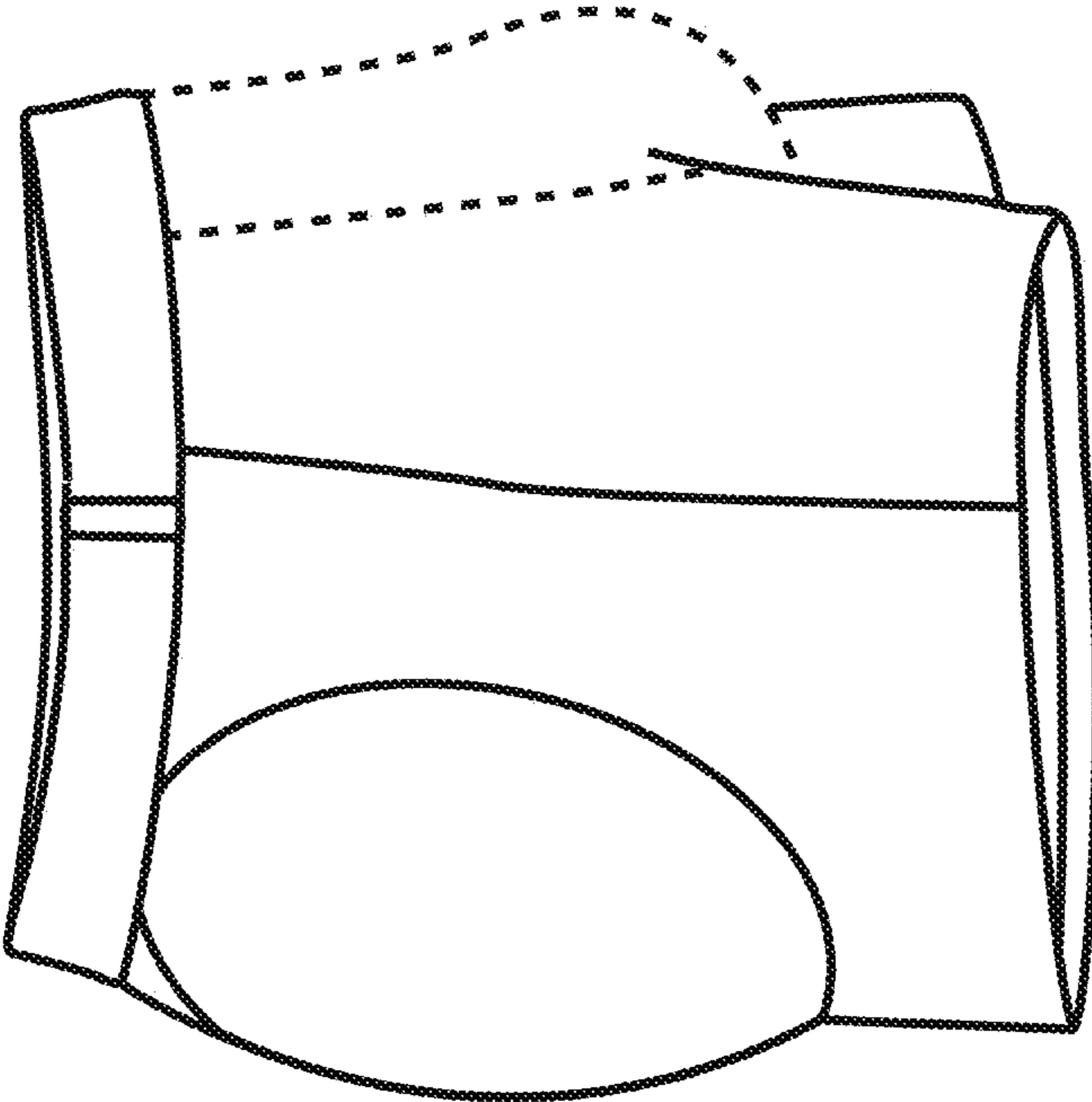


FIG. 3

FIG. 4



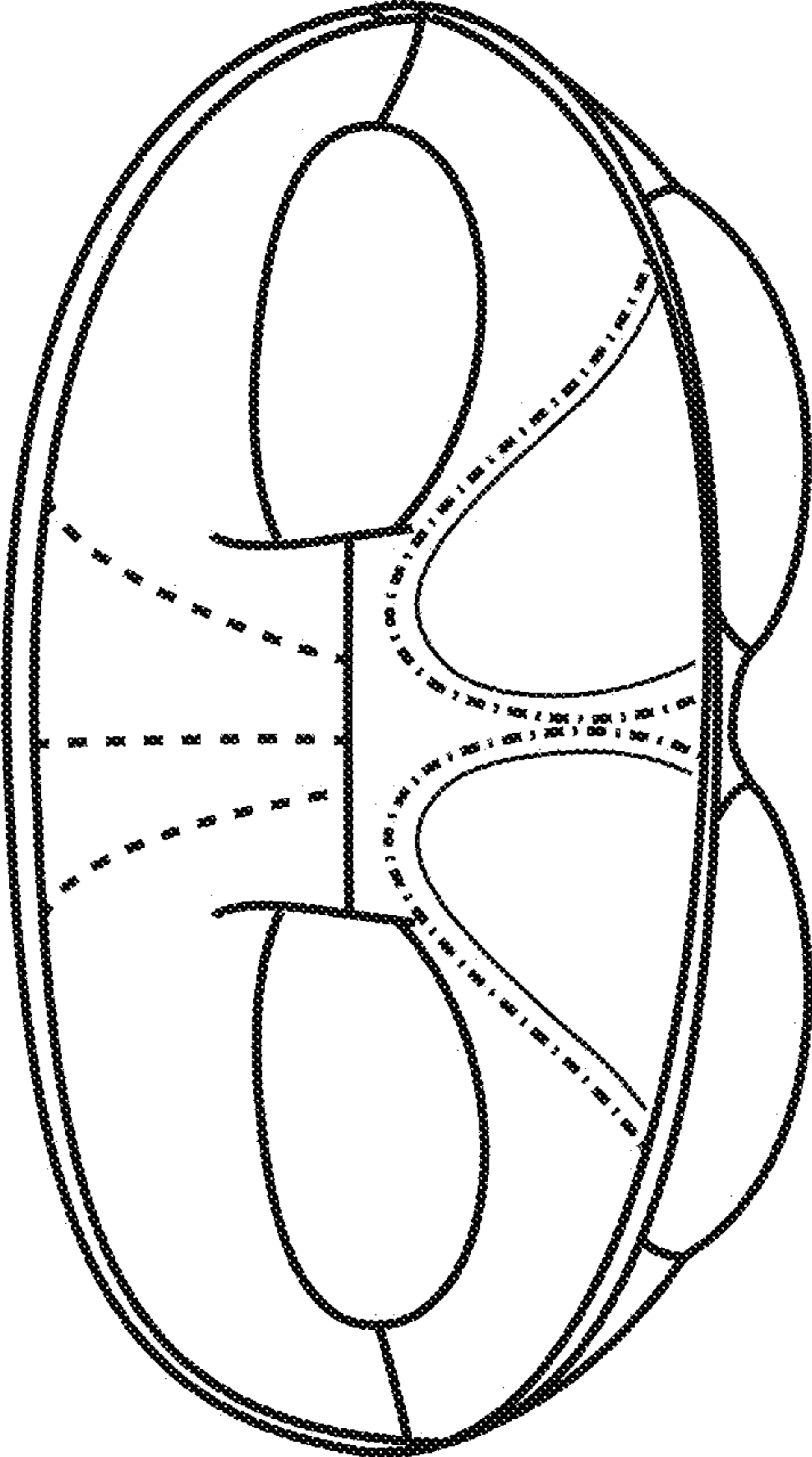
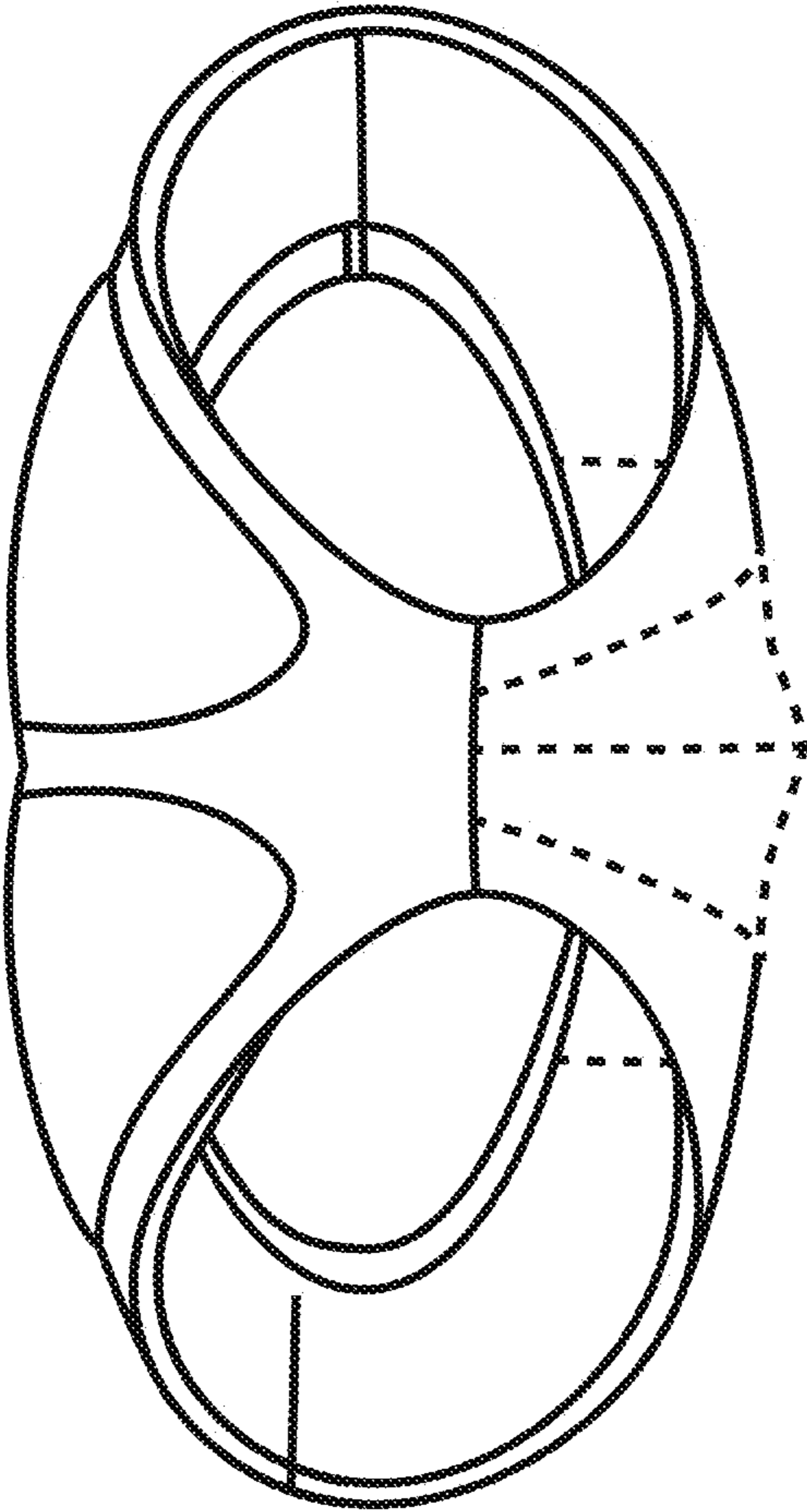


FIG. 5

FIG. 6



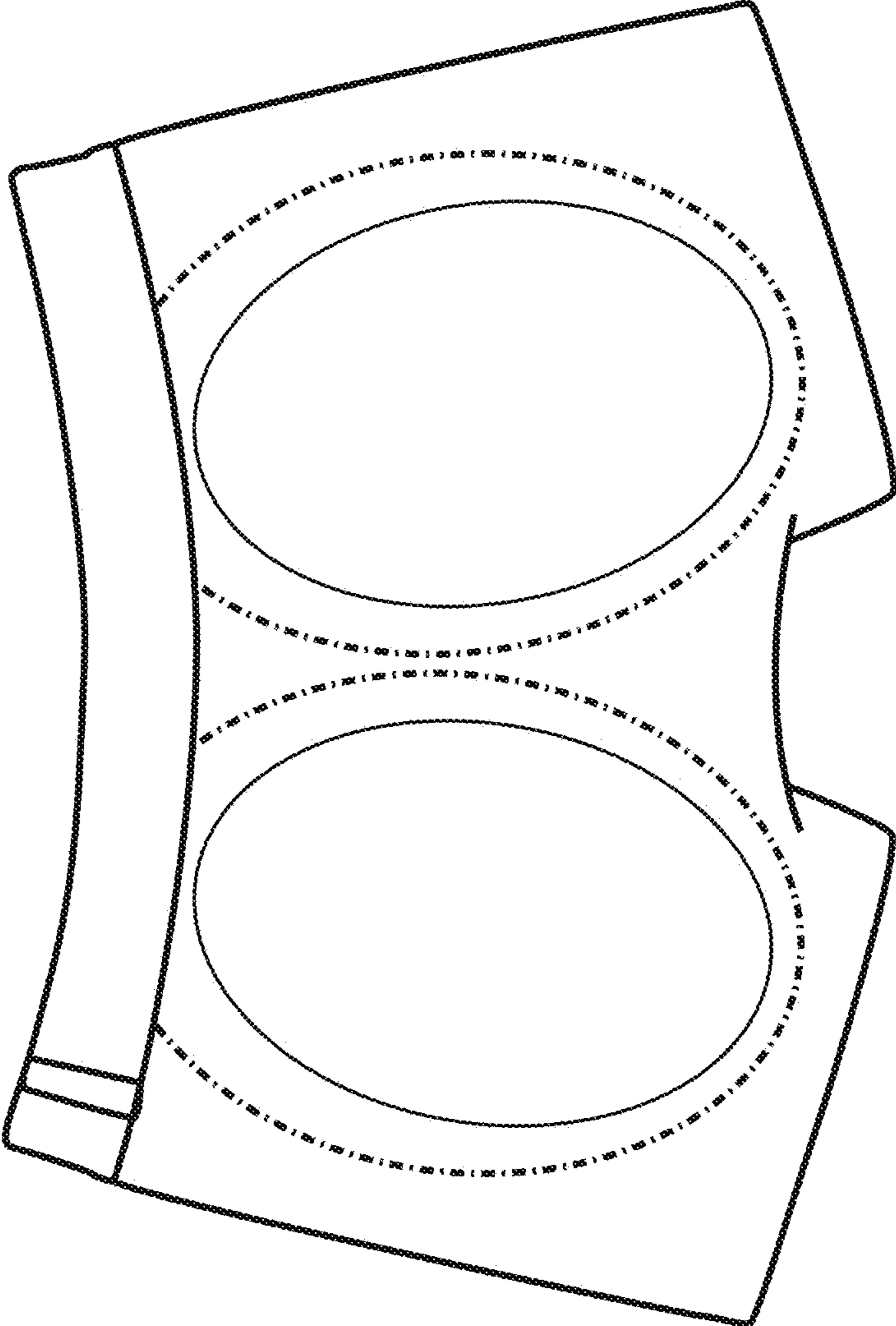


FIG. 7

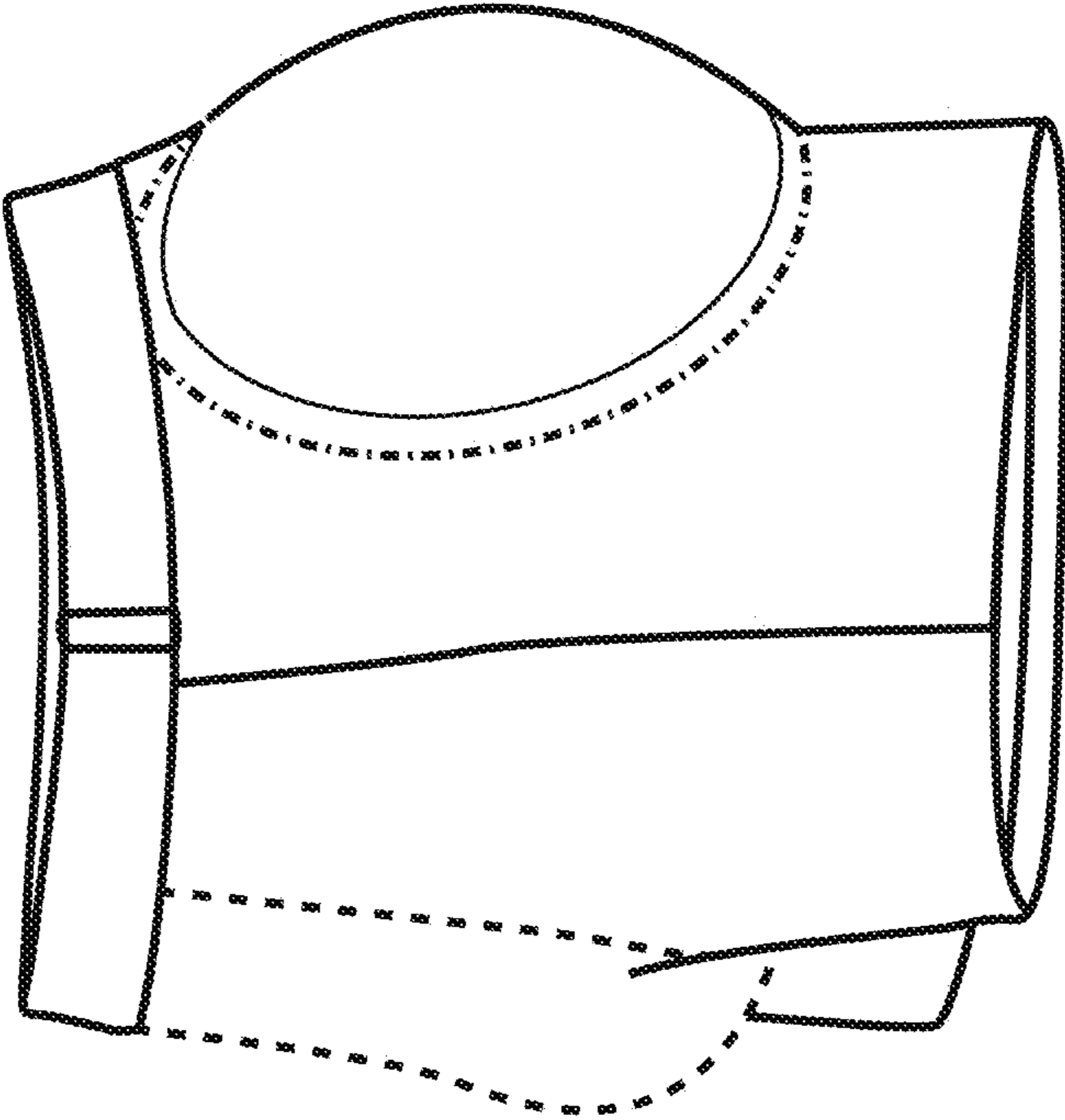


FIG. 8