



US00D876749S

(12) **United States Design Patent**
Ragosino

(10) **Patent No.:** **US D876,749 S**
(45) **Date of Patent:** **** Mar. 3, 2020**

- (54) **CUPLESS UNDERWIRE BRA**
- (71) Applicant: **Amanda Natalie Ragosino**, Lake Katrine, NY (US)
- (72) Inventor: **Amanda Natalie Ragosino**, Lake Katrine, NY (US)
- (**) Term: **15 Years**
- (21) Appl. No.: **29/615,744**
- (22) Filed: **Aug. 30, 2017**
- (51) **LOC (12) Cl.** **02-01**
- (52) **U.S. Cl.**
USPC **D2/706**
- (58) **Field of Classification Search**
USPC D2/706-710, 711, 731, 735, 737, 635, D2/636
CPC A41C 3/00; A41C 3/14; A41C 5/00; A41C 3/0057; A41C 3/0014; A41C 3/144; A41B 9/001; A41B 9/14
See application file for complete search history.

(56) **References Cited**

U.S. PATENT DOCUMENTS

2,429,680	A *	10/1947	Goddard	A41C 3/0007 450/39
D452,959	S *	1/2002	Cabarbaye	D11/3
7,553,213	B2 *	6/2009	Smith	A41C 3/06 450/86
D625,077	S *	10/2010	Lorenz	D2/706
D629,587	S *	12/2010	Tena	D2/706
8,123,587	B2 *	2/2012	Liegey	A41C 3/0071 450/1
D704,251	S *	5/2014	Shows	D16/323
D709,669	S *	7/2014	Pavlik	D2/708
D763,545	S *	8/2016	Morin	D2/706

D785,903	S *	5/2017	Chaleangsak	D2/706
2016/0029706	A1 *	2/2016	Braverman	A41C 3/0092 450/55
2016/0106159	A1 *	4/2016	Yau	A41C 3/04 450/36

FOREIGN PATENT DOCUMENTS

JP	2004131906	A *	4/2004	A41C 3/12
JP	2008274532	A *	11/2008	A41C 3/142
WO	WO-0103525	A1 *	1/2001	A41C 3/00
WO	WO-2015193932	A1 *	12/2015	A41C 3/10

* cited by examiner

Primary Examiner — Brandon M Rosati
Assistant Examiner — Lauren D McVey
(74) *Attorney, Agent, or Firm* — Larry E. Henneman, Jr.

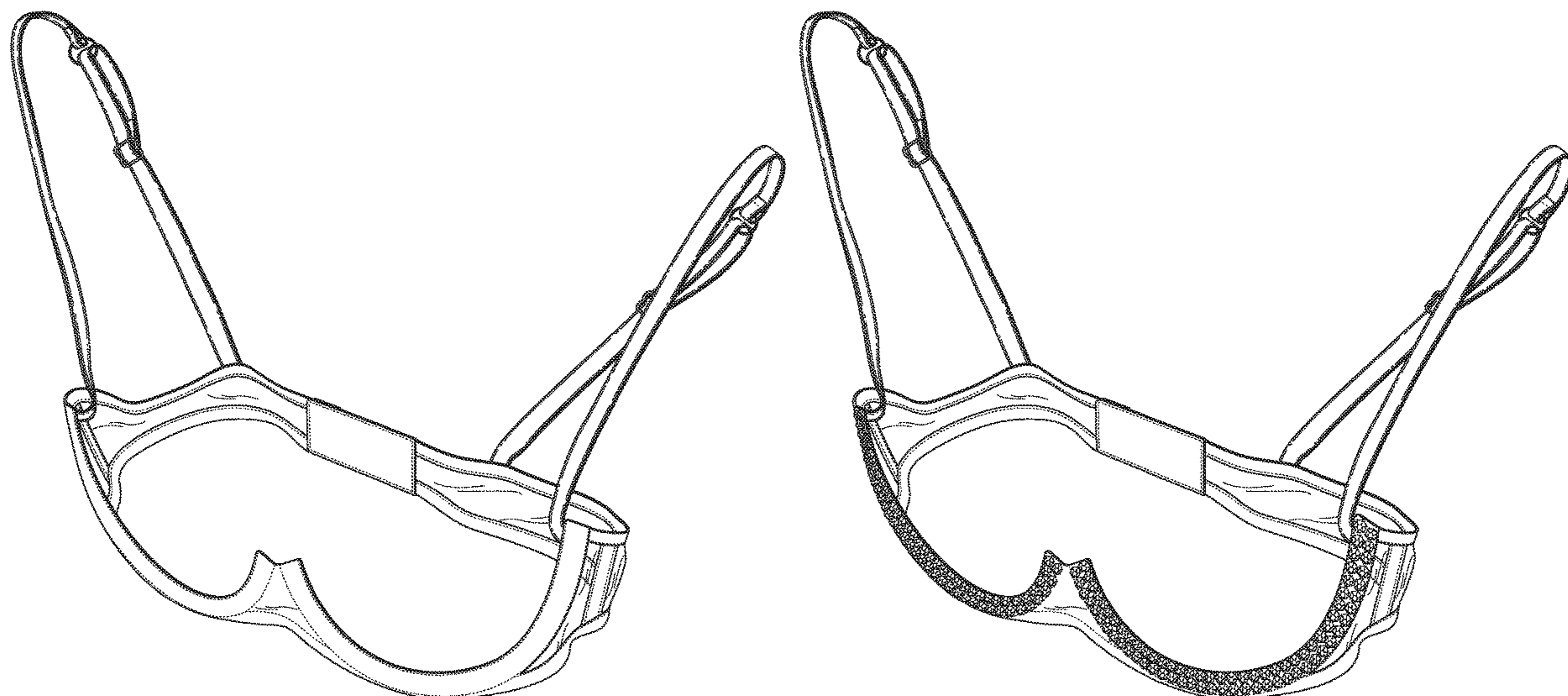
(57) **CLAIM**

The ornamental design for a cupless underwire bra, as shown and described.

DESCRIPTION

FIG. 1 is a front left perspective view of a first embodiment of a cupless underwire bra, showing my new design; FIG. 2 is a front elevation view thereof; FIG. 3 is a rear elevation view thereof; FIG. 4 is a right side elevation view thereof; FIG. 5 is a left side elevation view thereof; FIG. 6 is a top plan view thereof; FIG. 7 is a bottom plan view thereof; FIG. 8 is a front left perspective view of a second embodiment of a cupless underwire bra, showing my new design; FIG. 9 is a front elevation view thereof; FIG. 10 is a rear elevation view thereof; FIG. 11 is a right side elevation view thereof; FIG. 12 is a left side elevation view thereof; FIG. 13 is a top plan view thereof; and, FIG. 14 is a bottom plan view thereof.

1 Claim, 12 Drawing Sheets



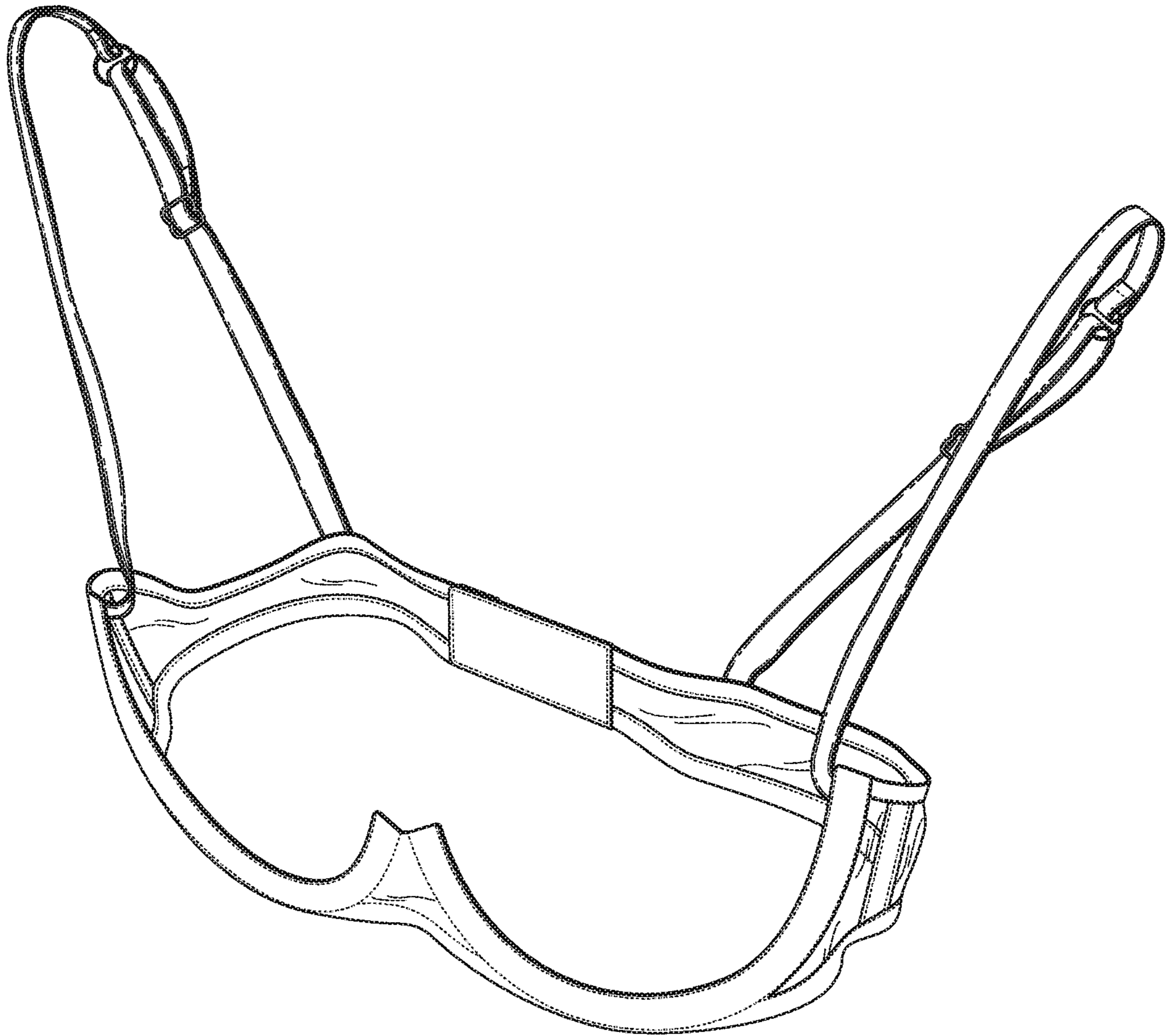


FIG. 1

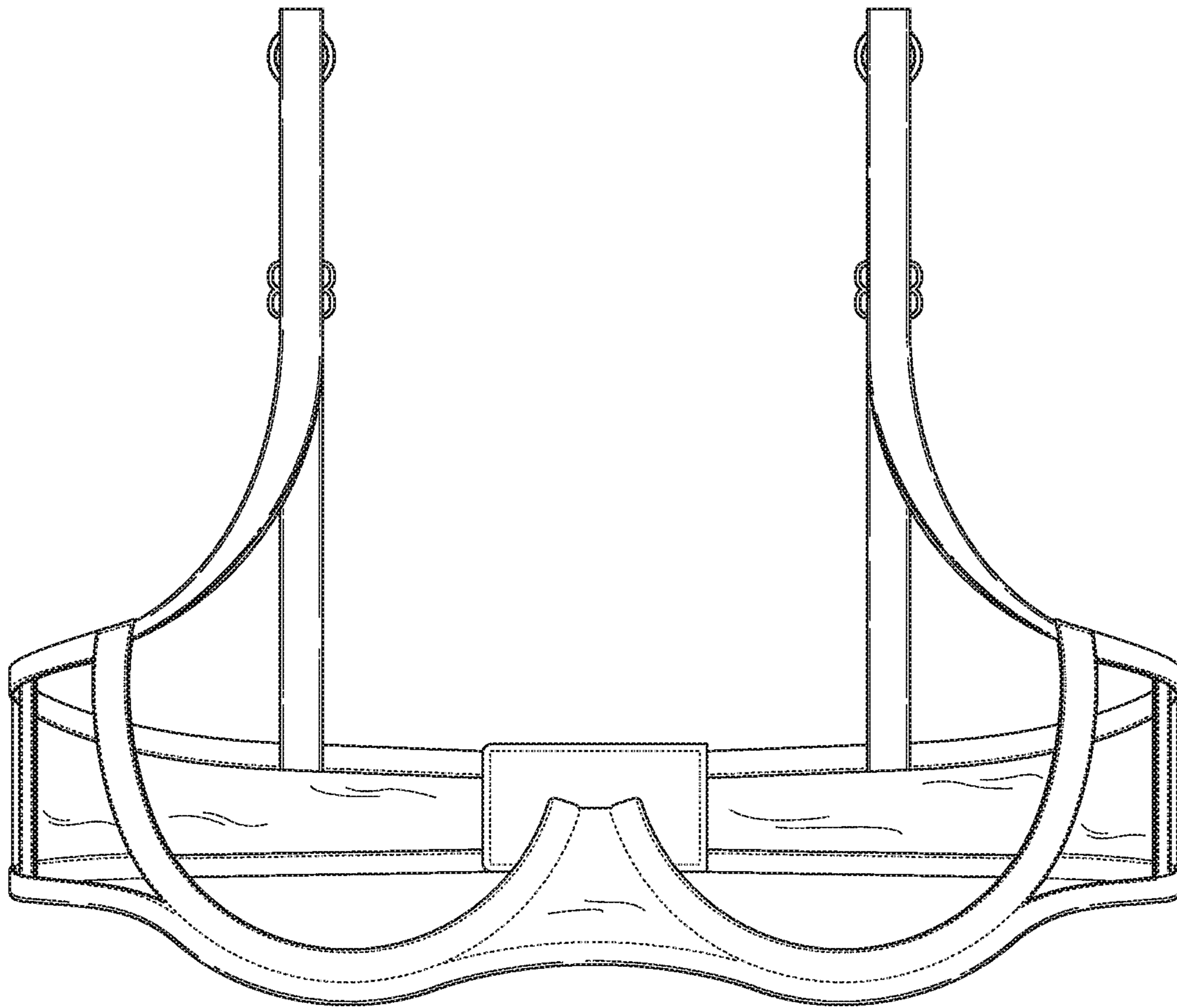


FIG. 2

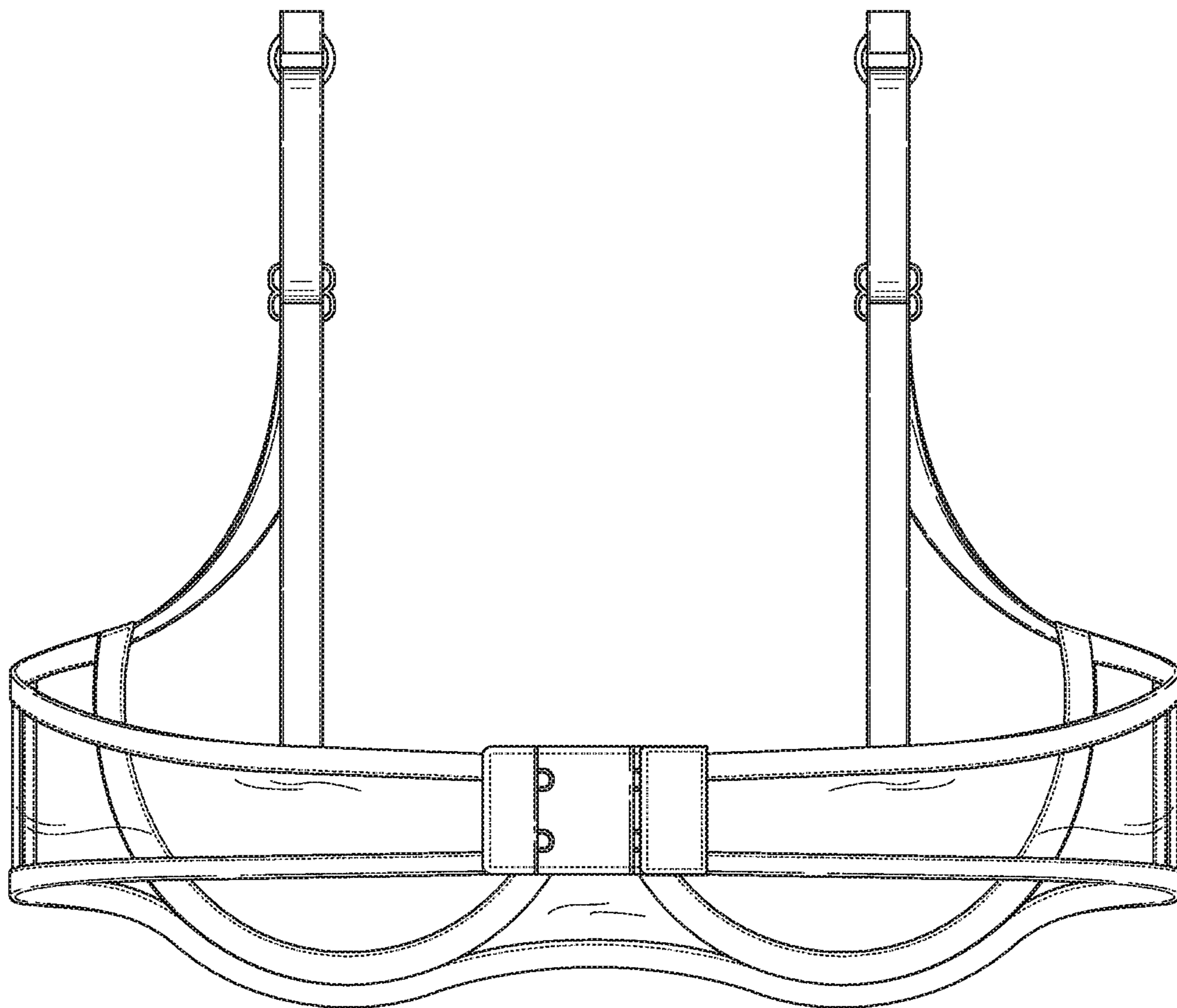


FIG. 3

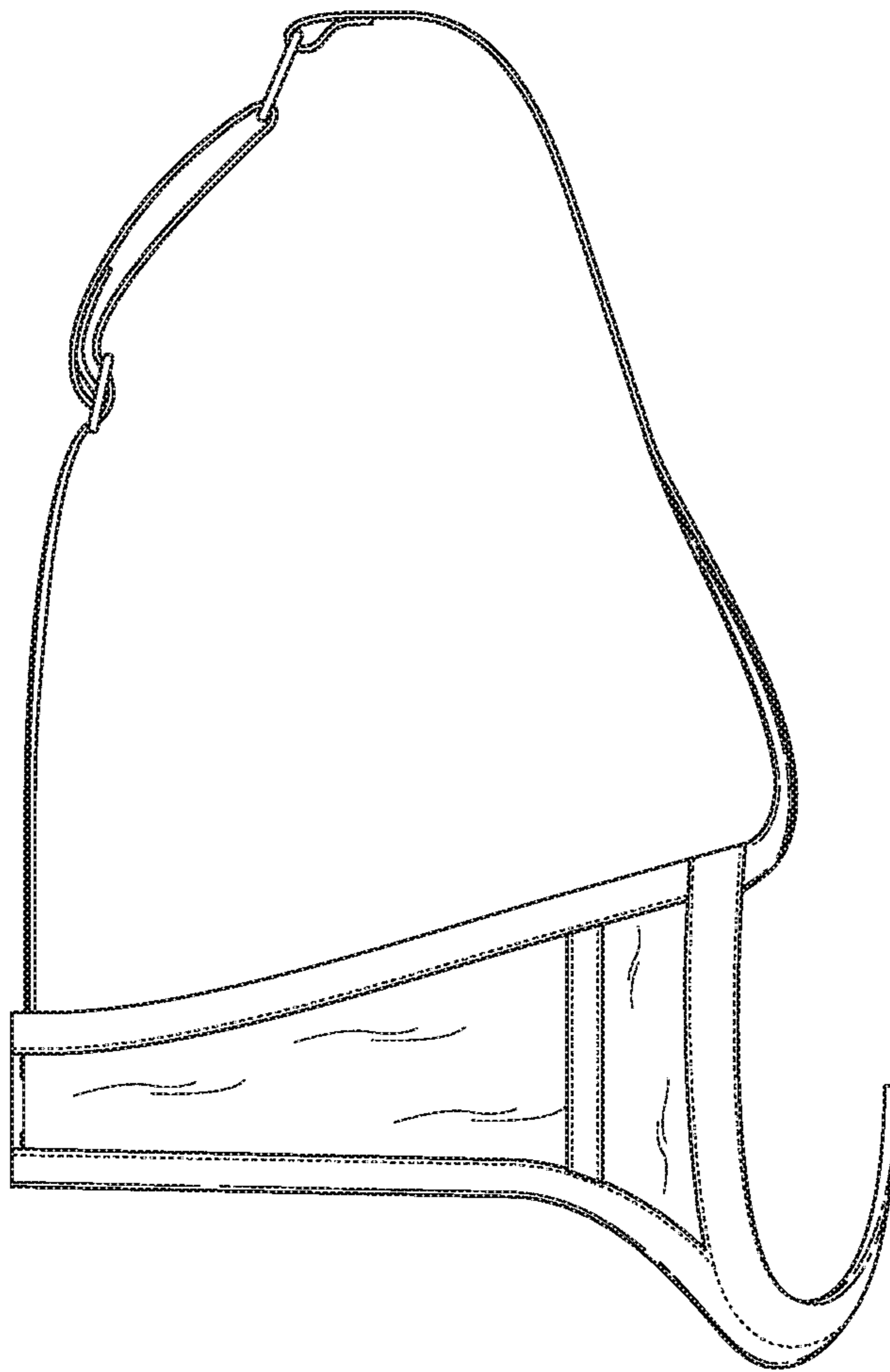


FIG. 4

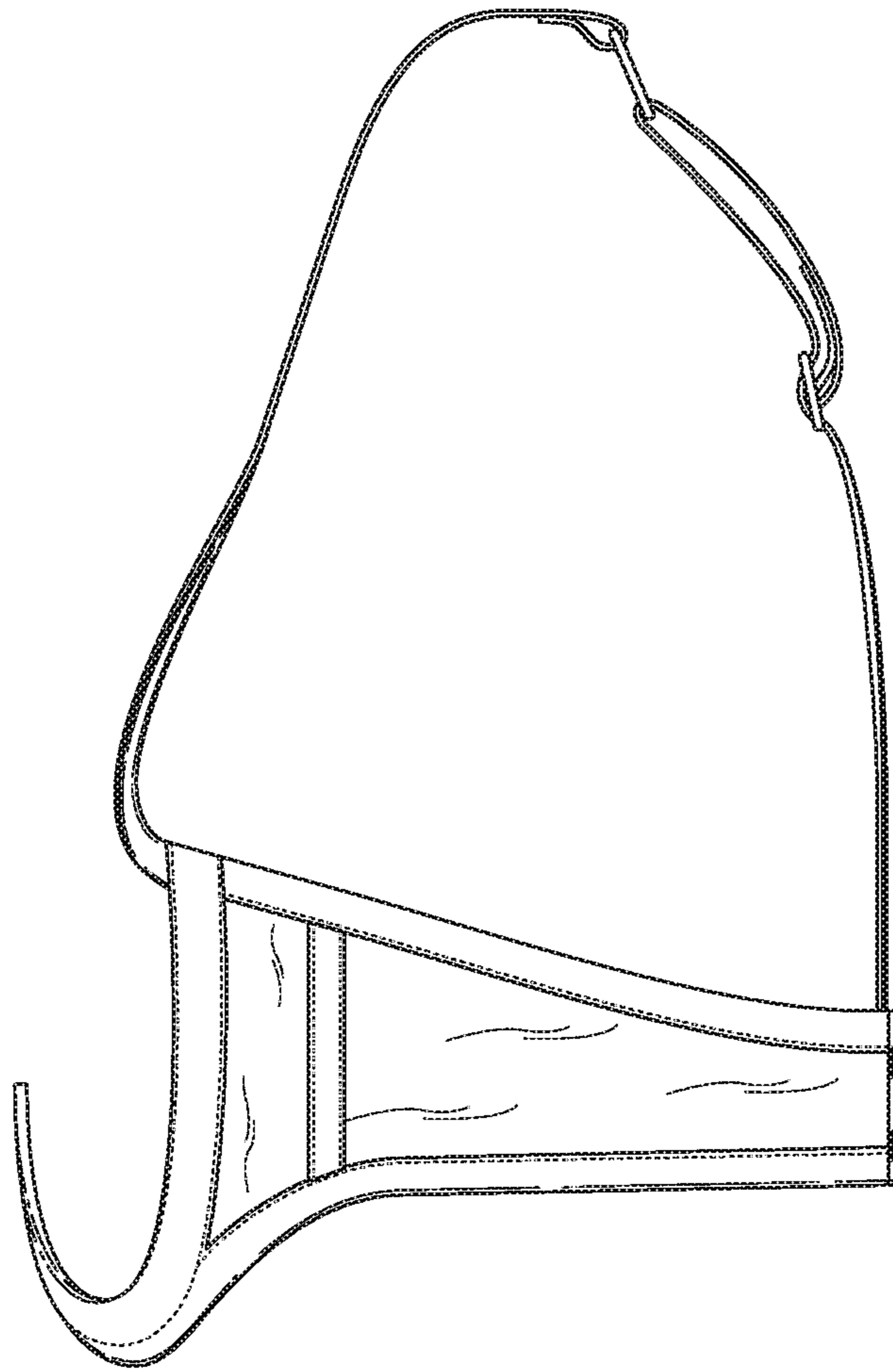


FIG. 5

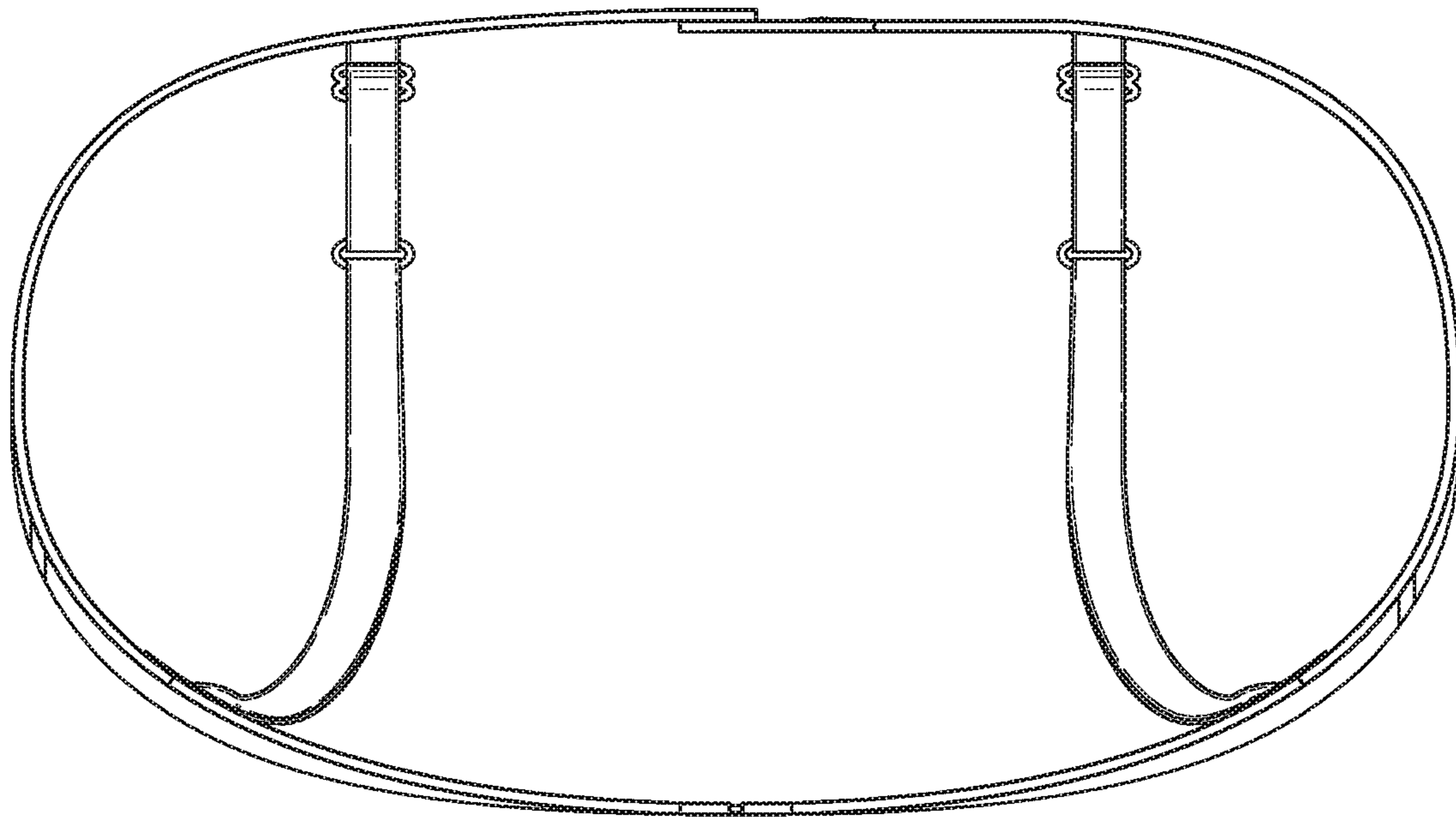


FIG. 6

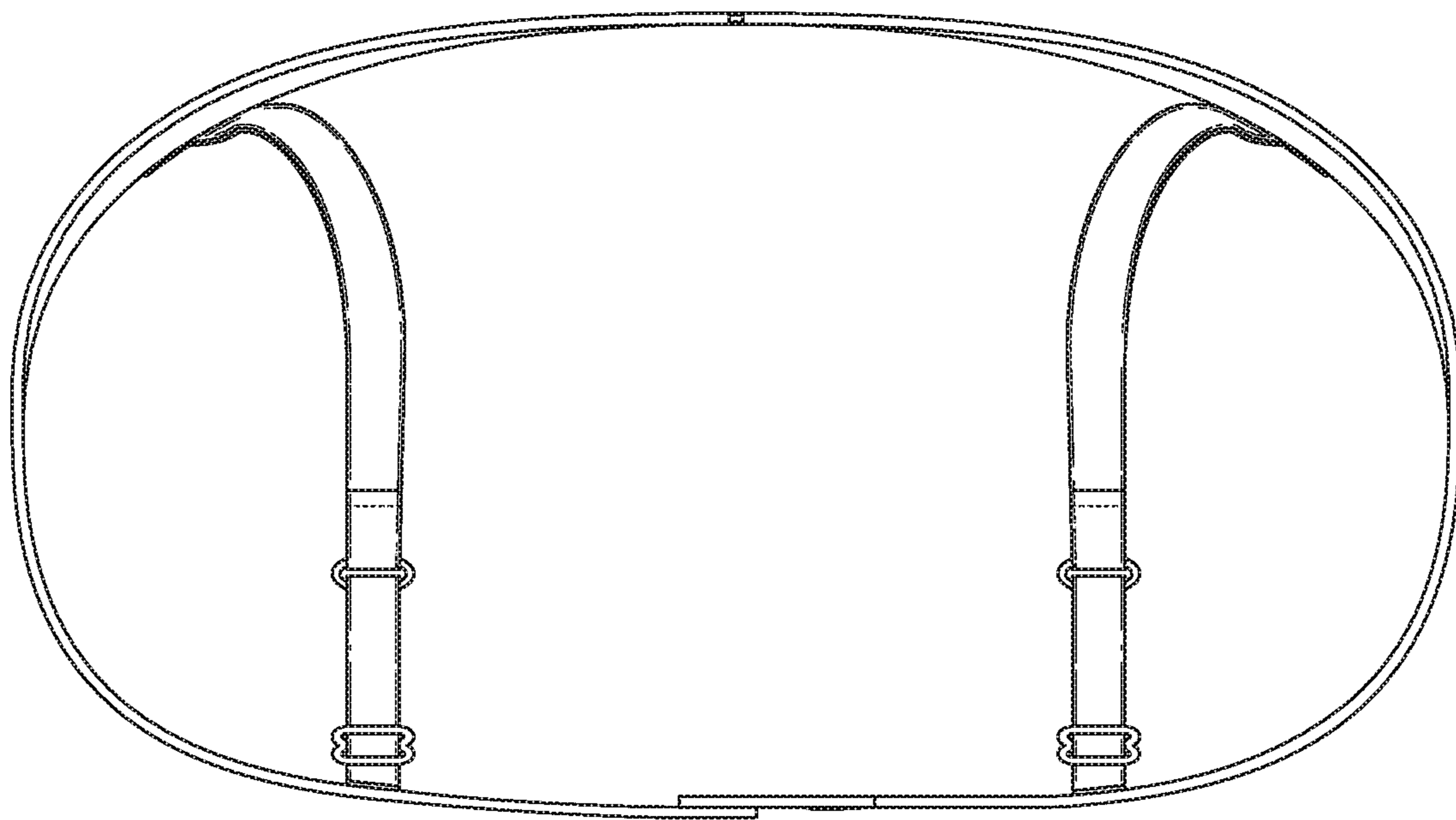


FIG. 7

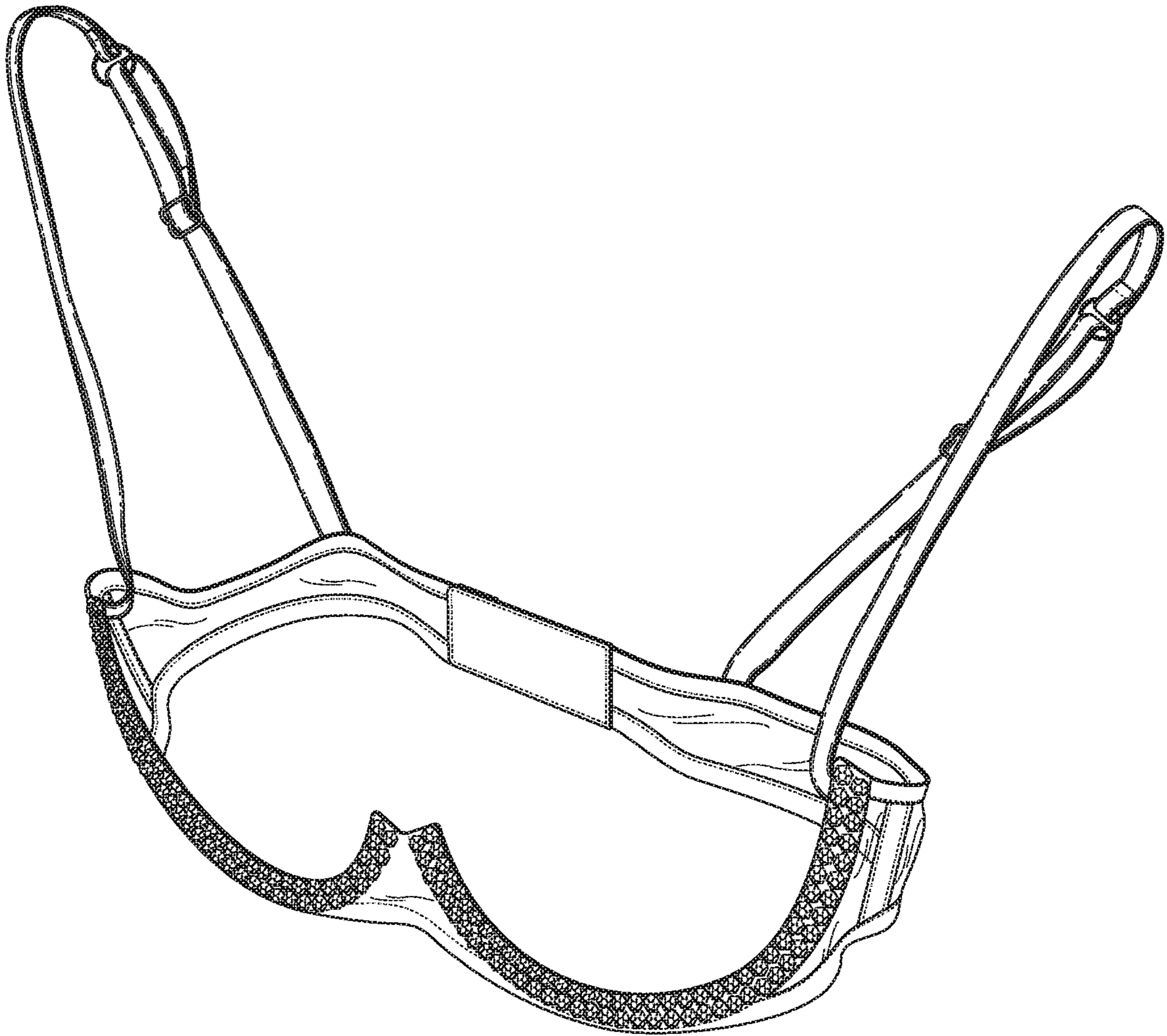


FIG. 8

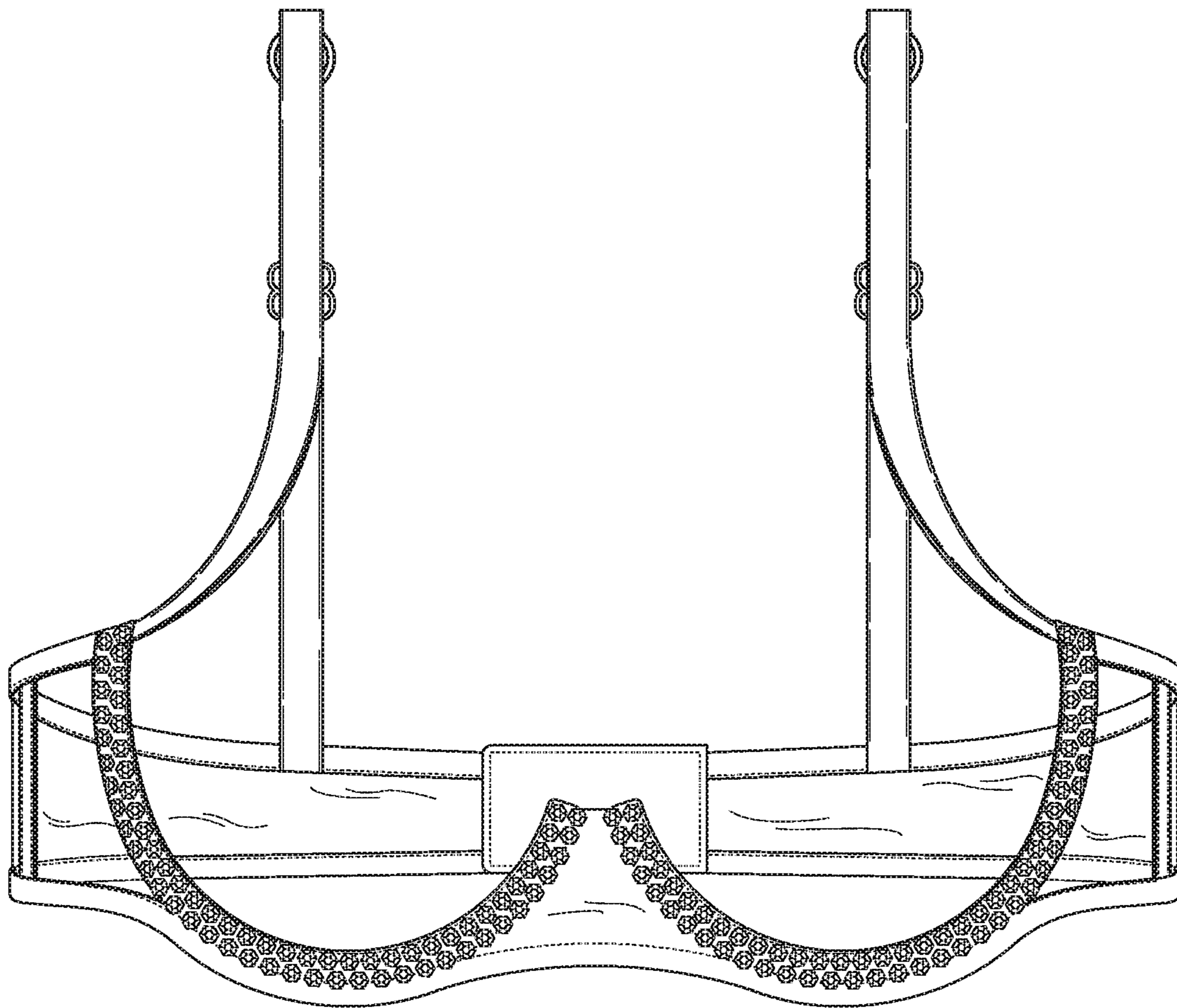


FIG. 9

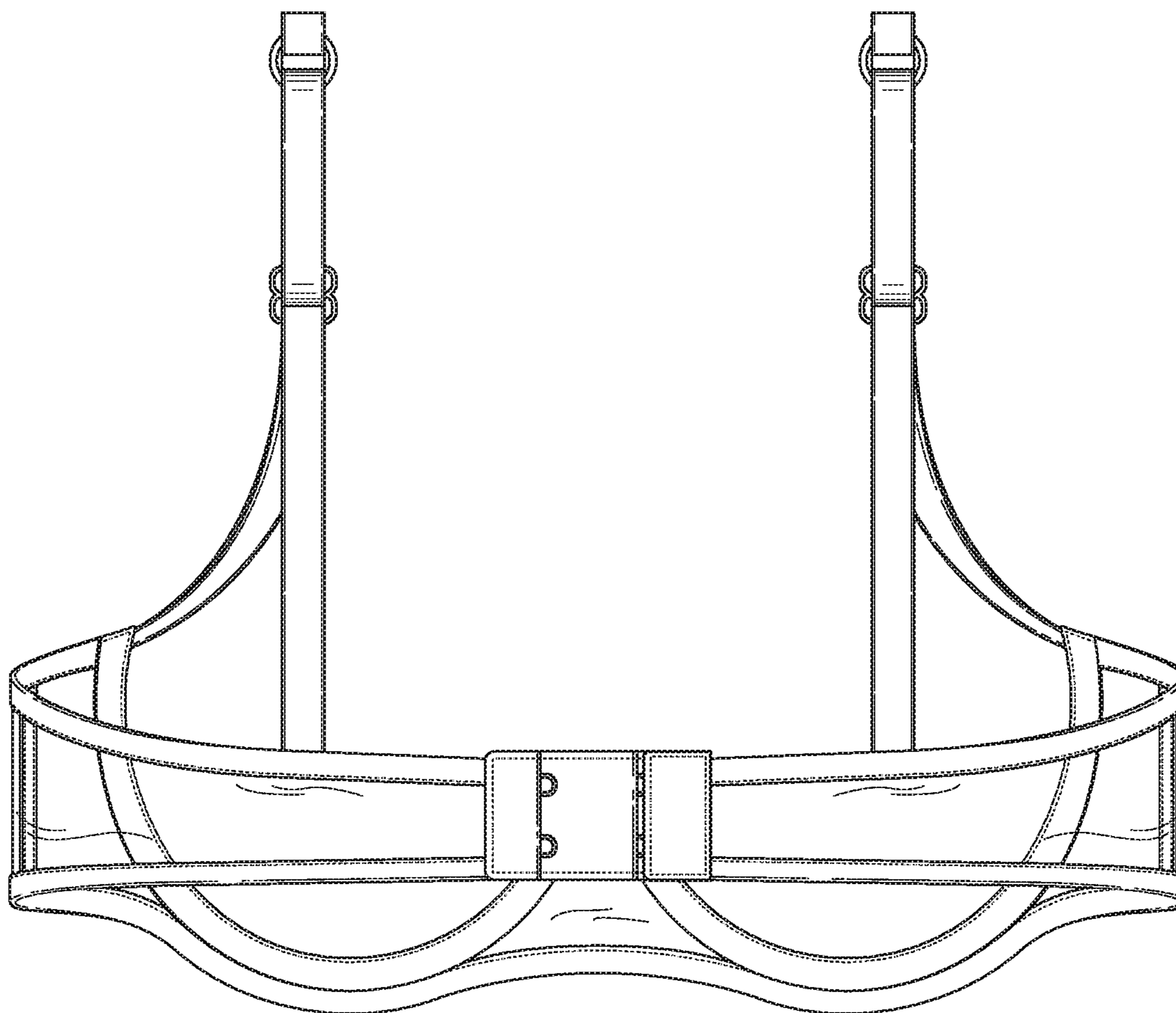


FIG. 10

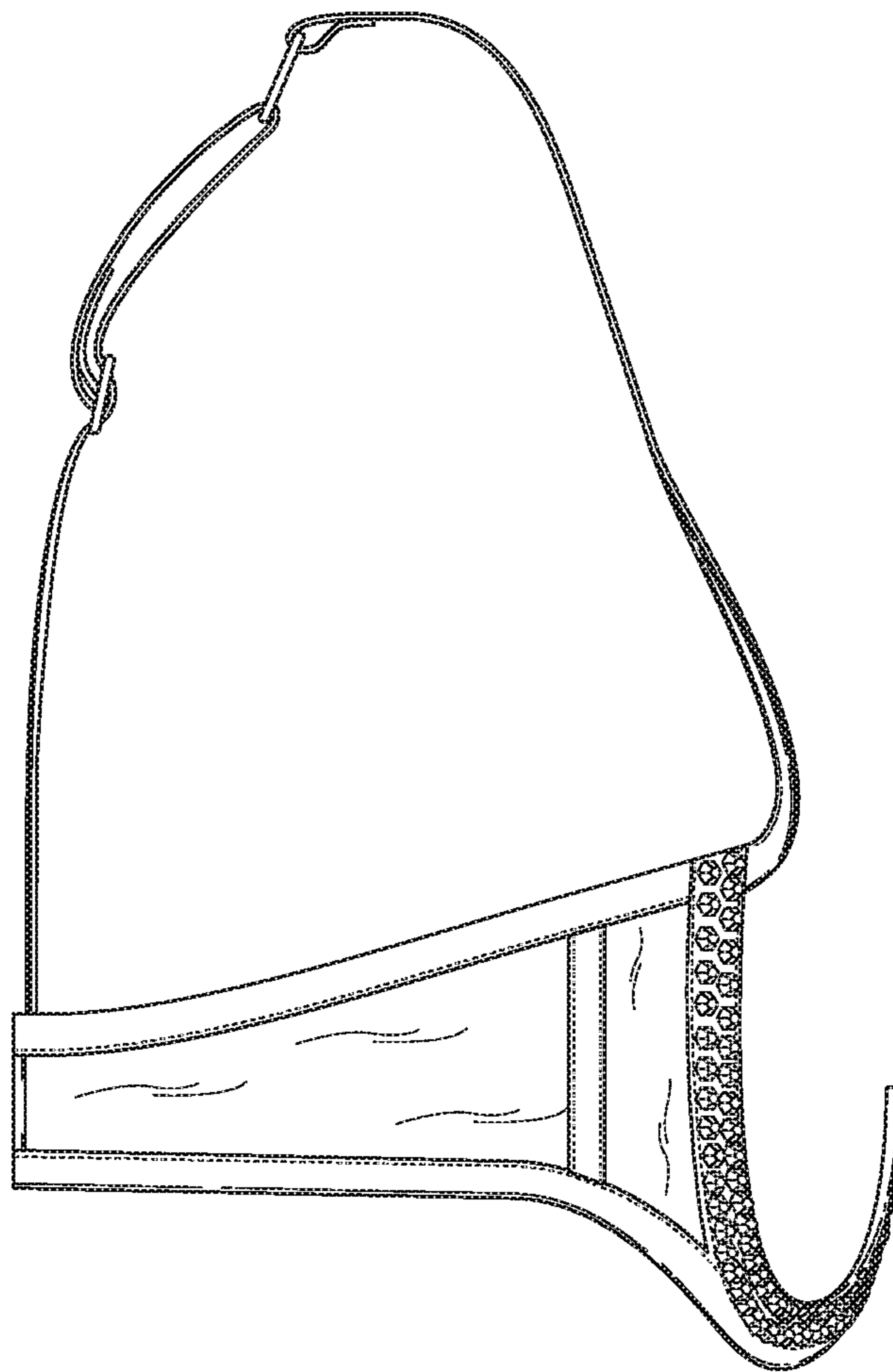


FIG. 11

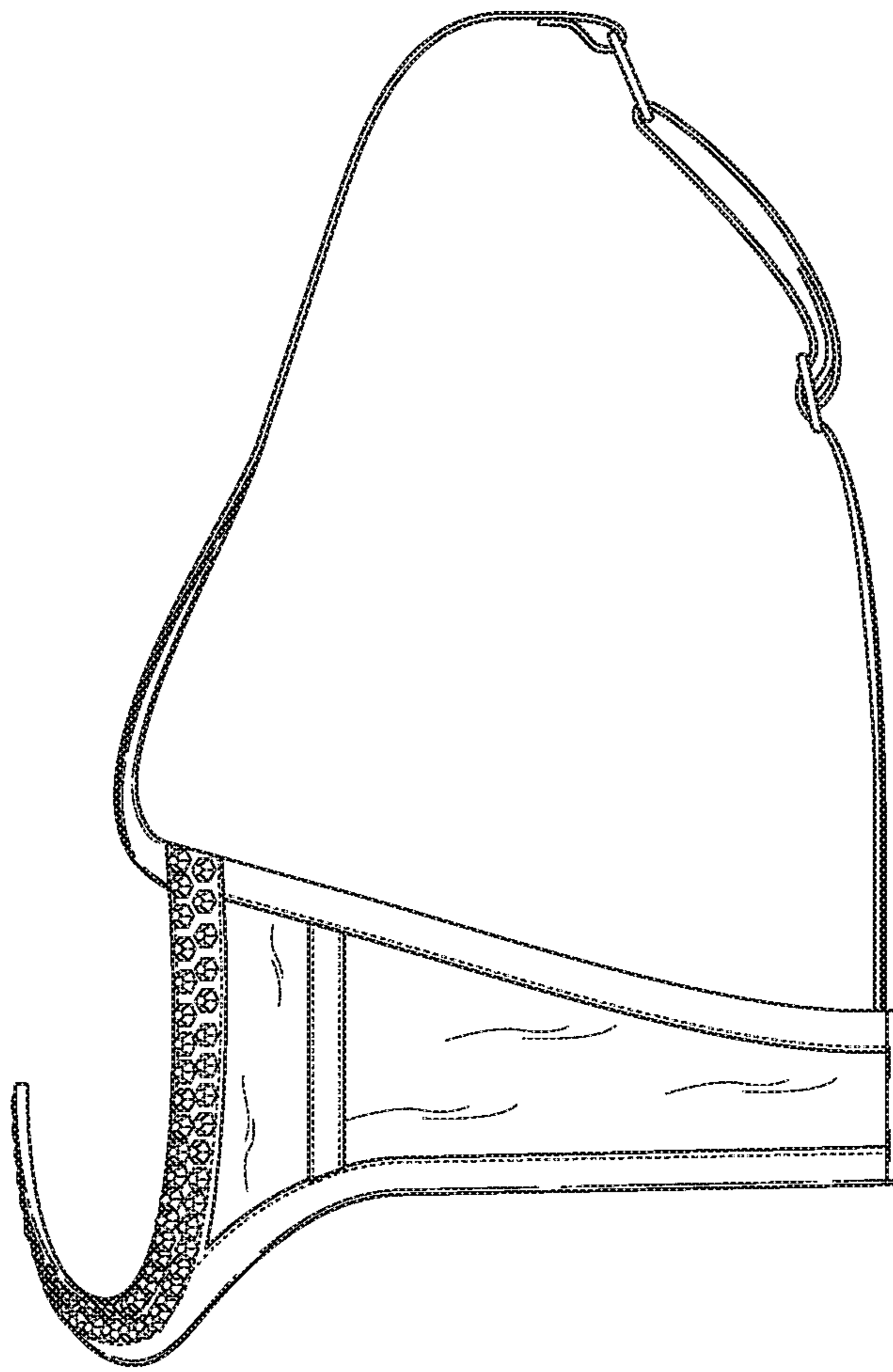


FIG. 12

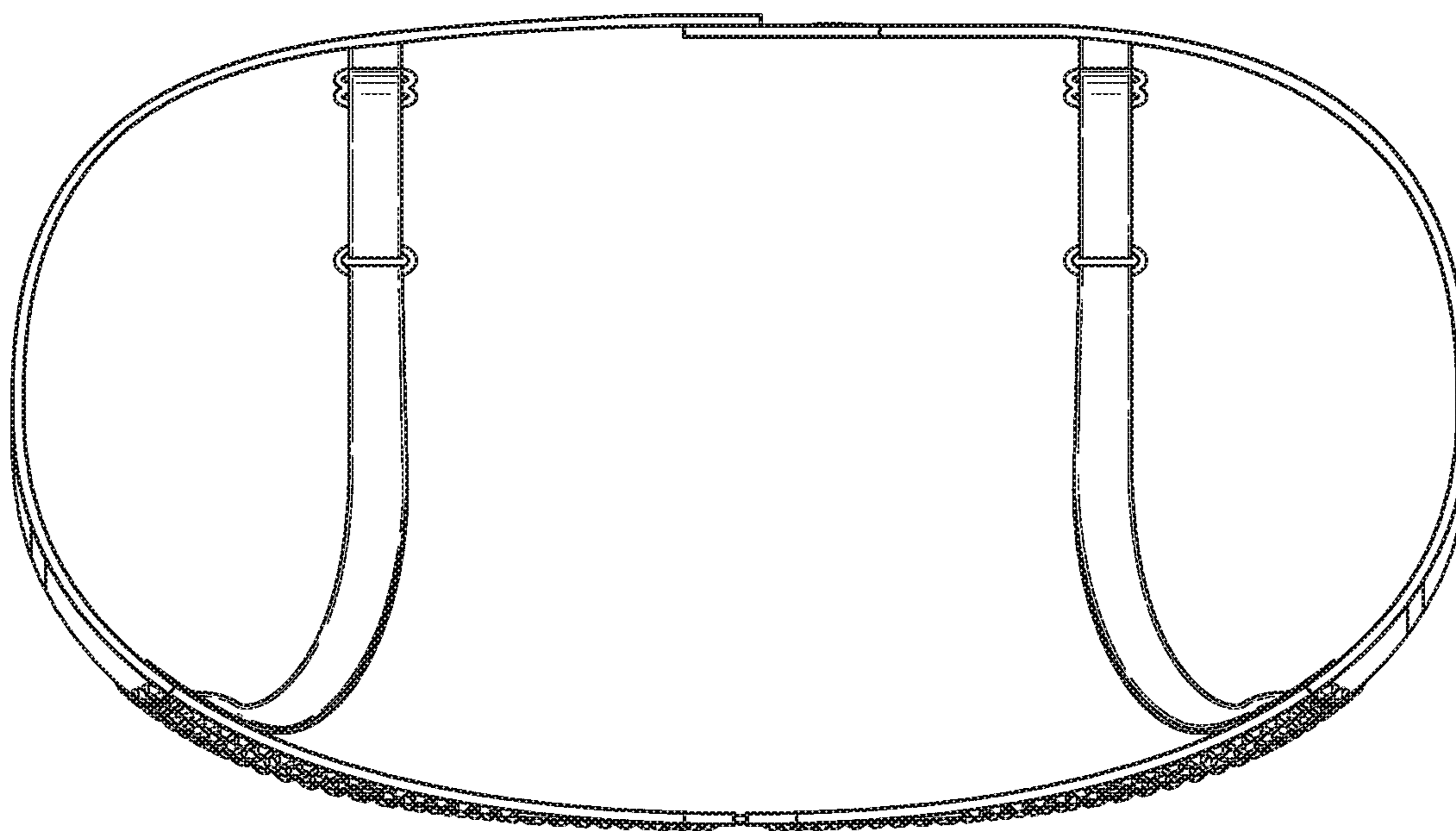


FIG. 13

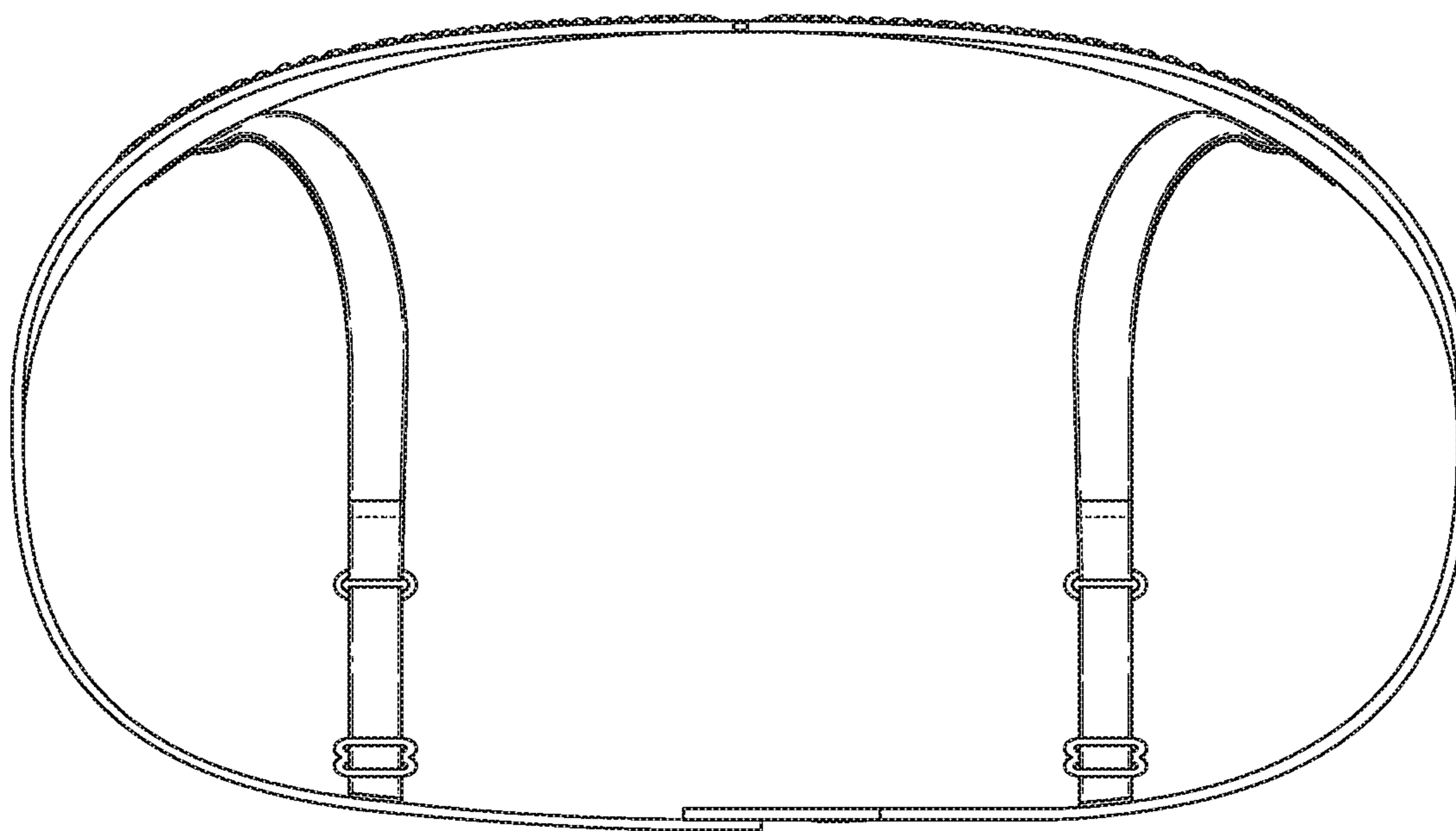


FIG. 14