



US00D876744S

(12) **United States Design Patent** (10) **Patent No.:** **US D876,744 S**
Wernberg et al. (45) **Date of Patent:** **** Feb. 25, 2020**

(54) **DUMPING CART**

(71) Applicant: **Tricam Industries, Inc.**, Eden Prairie, MN (US)

(72) Inventors: **Benjamin M. Wernberg**, Savage, MN (US); **Joseph P. Foley**, St. Paul, MN (US); **Benjamin P. Williams**, Chaska, MN (US); **Dennis D. Simpson**, Plymouth, MN (US)

(73) Assignee: **Tricam Industries, Inc.**, Eden Prairie, MN (US)

(**) Term: **15 Years**

(21) Appl. No.: **29/658,583**

(22) Filed: **Aug. 1, 2018**

(51) **LOC (12) Cl.** **12-02**

(52) **U.S. Cl.**
USPC **D34/16**

(58) **Field of Classification Search**
USPC D34/12-27; 280/47.31, 47.315, 47.18, 280/47.26, 653, 47.24, 651, 47.19, 47.35, 280/655, 47.34, 47.17, 47.371, 204, 656, 280/47.32, 47.33; 298/2, 5, 7
CPC B62B 1/20; B62B 1/24; B62B 3/02; B62B 5/0438
See application file for complete search history.

(56) **References Cited**

U.S. PATENT DOCUMENTS

4,353,596 A * 10/1982 Gibson B62B 1/12
280/47.26
D393,129 S * 3/1998 Yemini D34/16

D465,631 S * 11/2002 Brant D34/16
D487,325 S * 3/2004 Nelsen D34/16
6,848,695 B2 * 2/2005 Panasewicz B62B 1/006
280/47.315
D544,173 S * 6/2007 Mullen D34/16
D574,121 S * 7/2008 Song D34/16
D606,565 S * 12/2009 Hickenbottom D34/16

* cited by examiner

Primary Examiner — Gino Colan

(74) *Attorney, Agent, or Firm* — Patterson Thuent Pedersen, P.A.

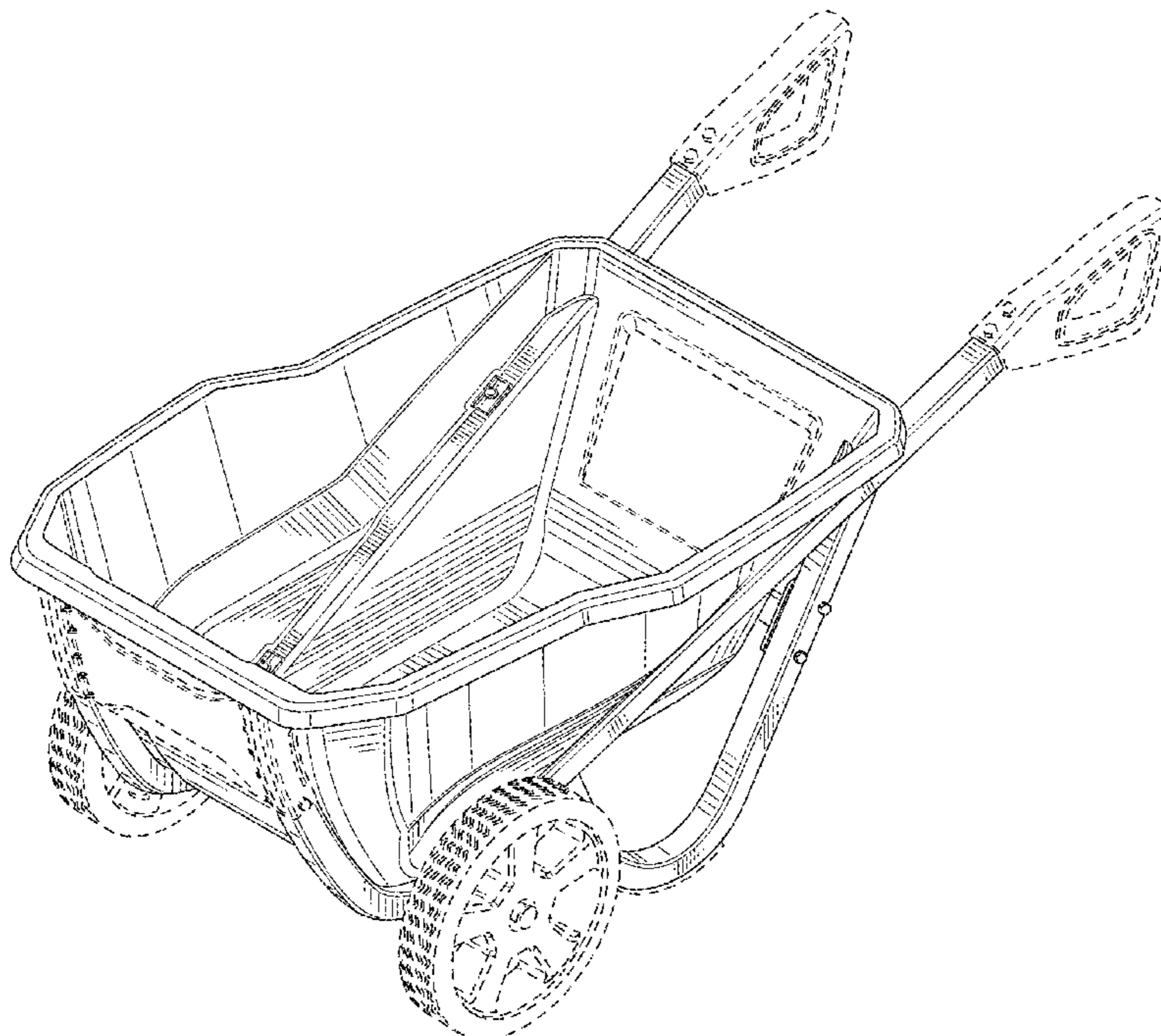
(57) **CLAIM**

We claim the ornamental design for a dumping cart, as shown and described.

DESCRIPTION

FIG. 1 is a perspective view of a dumping cart showing our new design;
FIG. 2 is a top plan view thereof;
FIG. 3 is a front elevation view thereof;
FIG. 4 is a right side elevation view thereof;
FIG. 5 is a rear elevation view thereof;
FIG. 6 is a left side elevation view thereof; and,
FIG. 7 is a bottom plan view thereof.
The broken lines shown in the drawings are for the purpose of illustrating portions of the dumping cart and form no part of the claimed design.

1 Claim, 7 Drawing Sheets



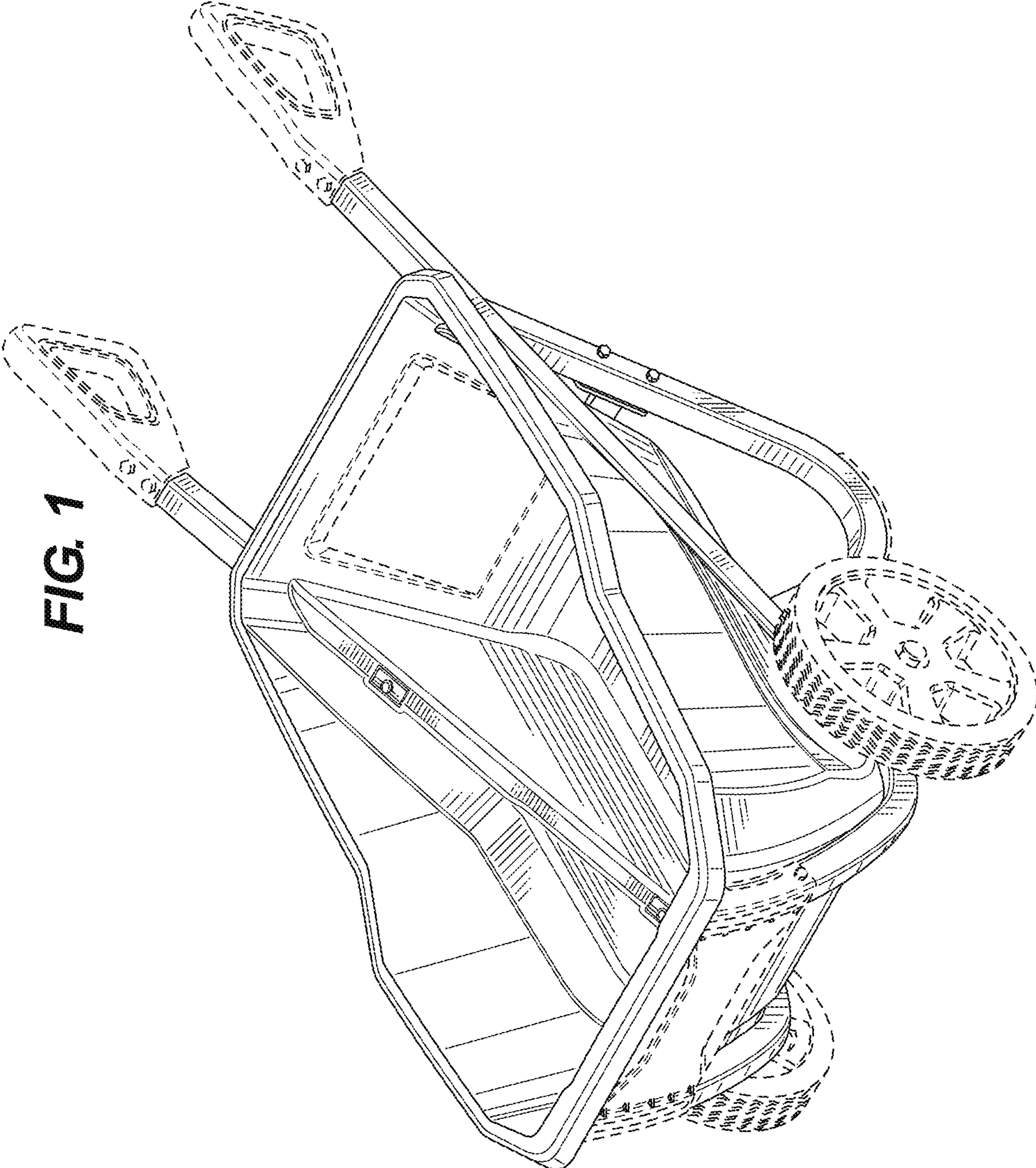


FIG. 1

FIG. 2

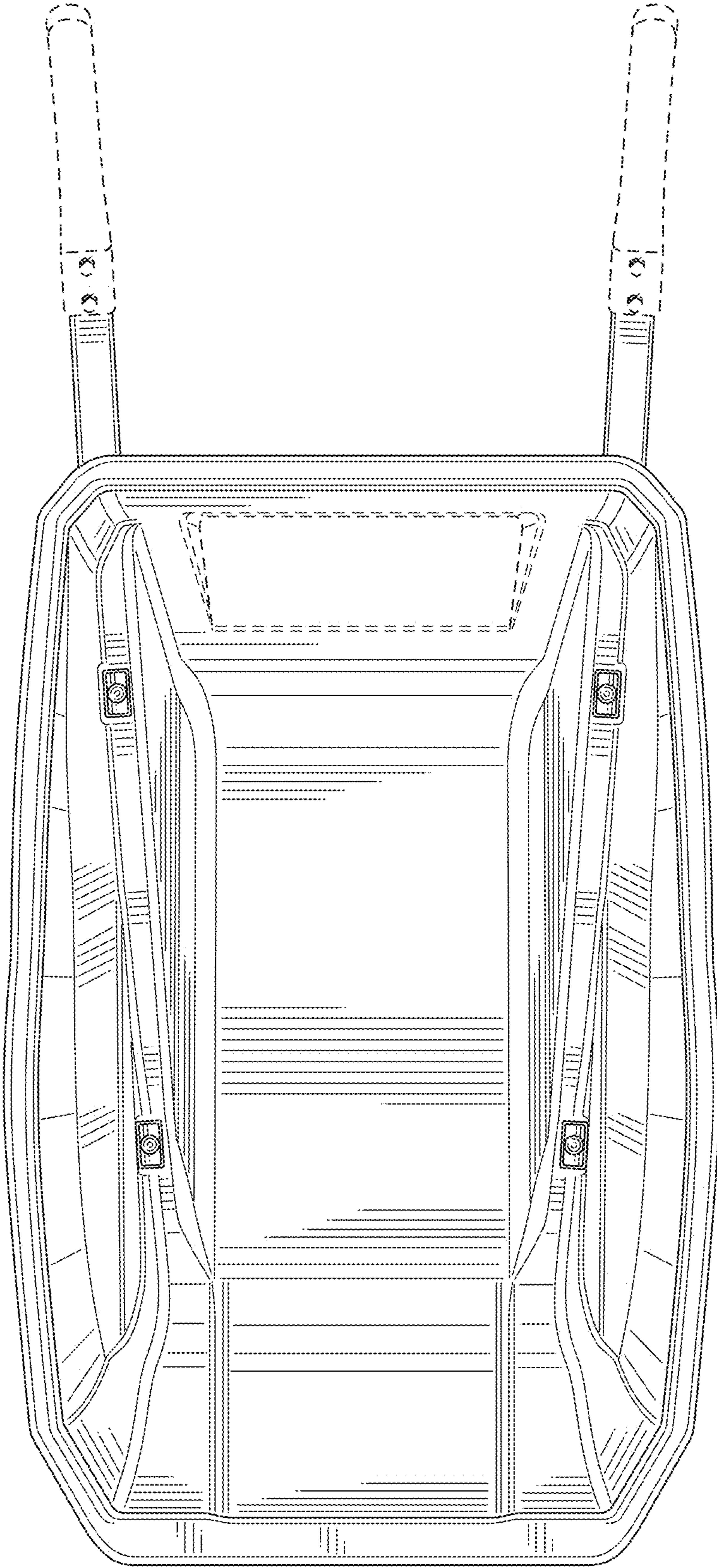


FIG. 3

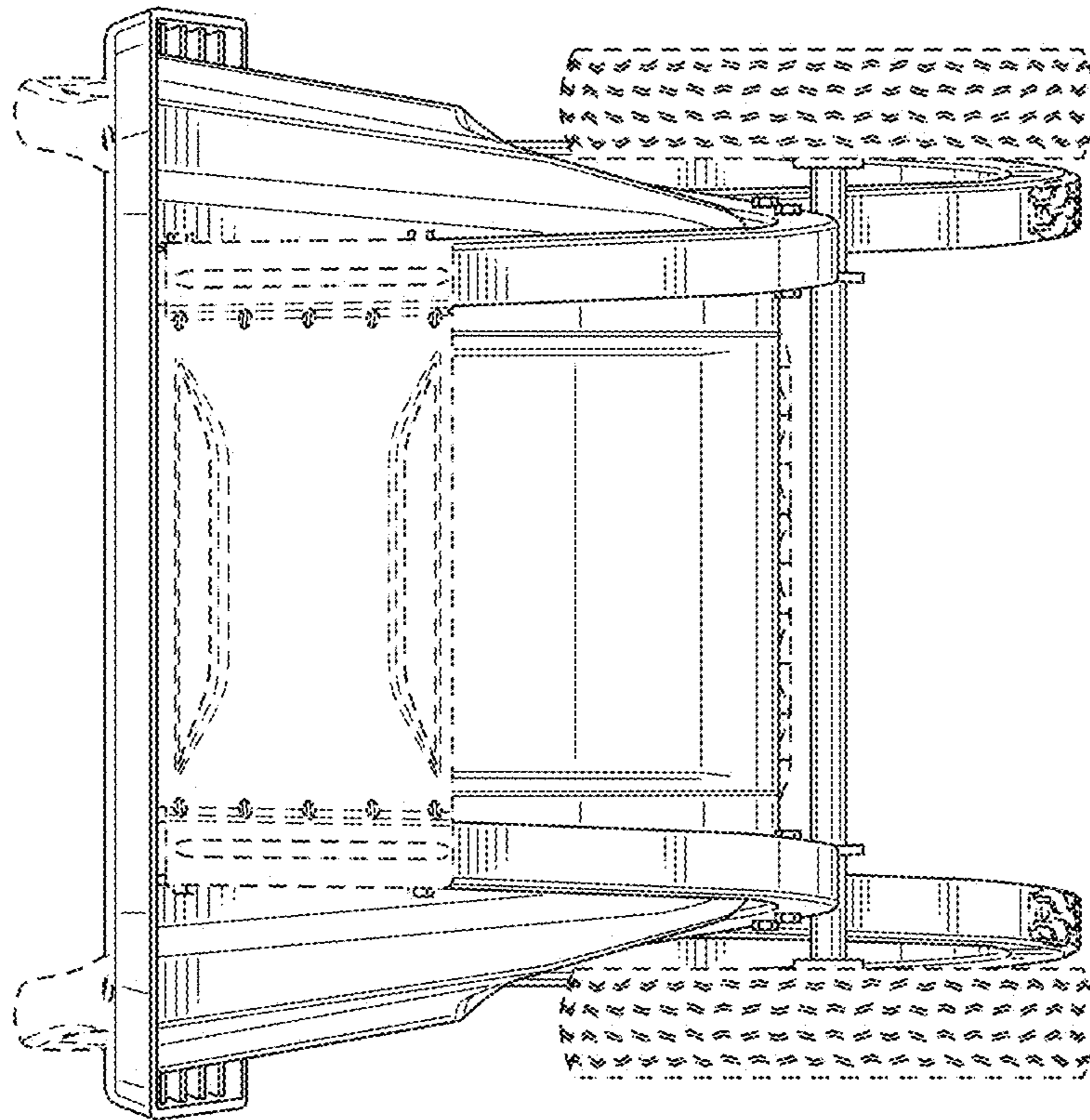


FIG. 4

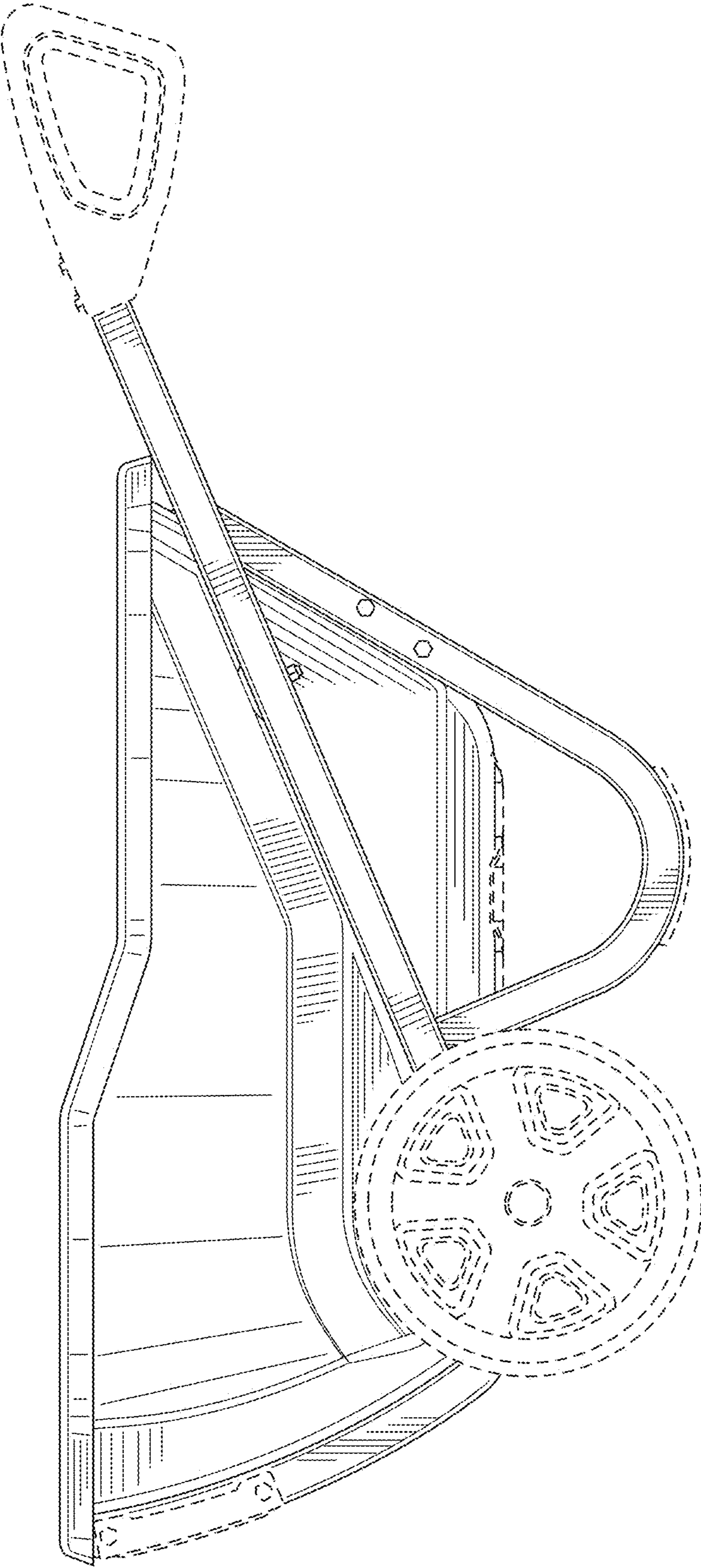


FIG. 5

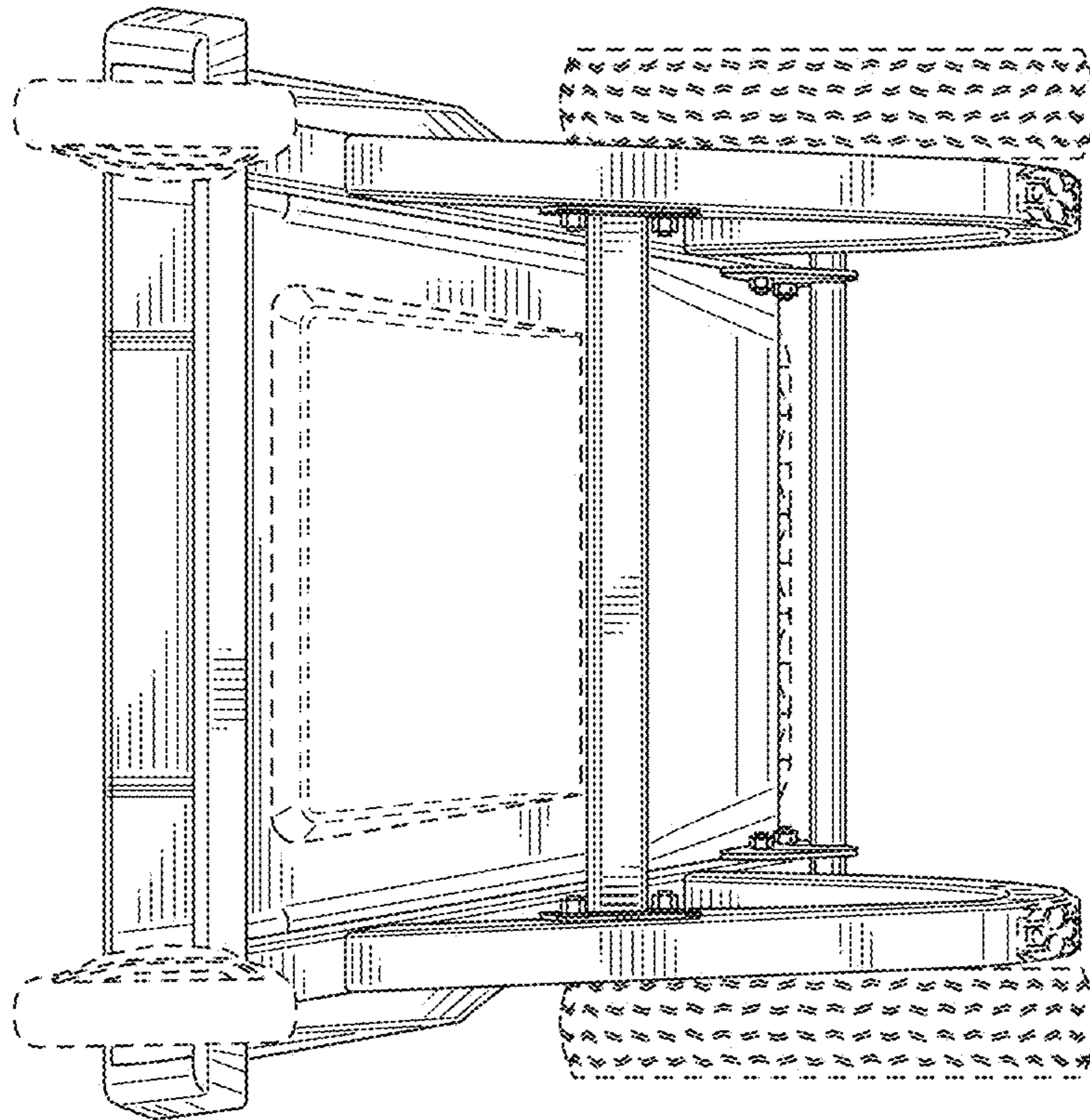


FIG. 6

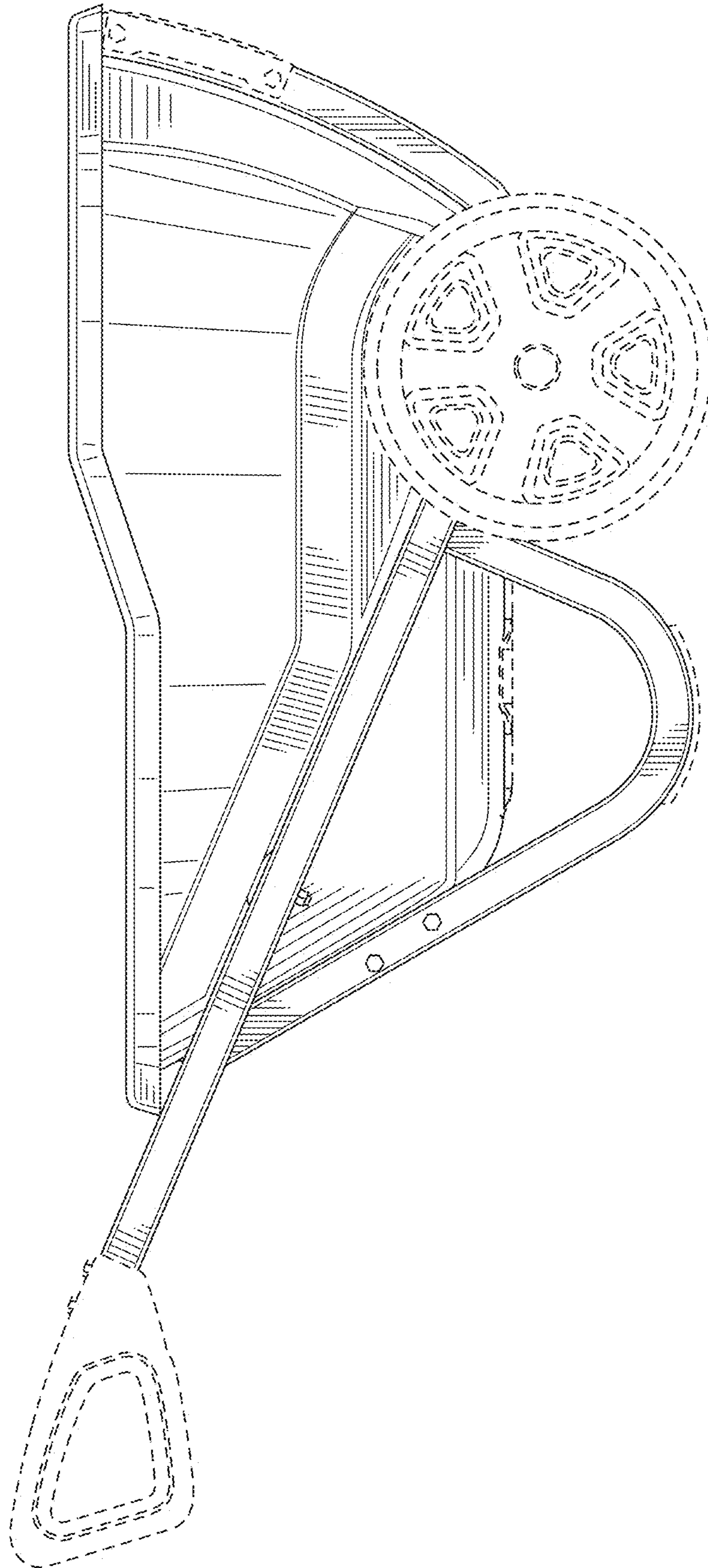


FIG. 7

