



US00D876743S

(12) **United States Design Patent**
Schapiro

(10) **Patent No.:** **US D876,743 S**

(45) **Date of Patent:** **** Feb. 25, 2020**

(54) **HANDLE GRIP FOR CLOTHES IRON**

(71) Applicant: **CLEANER'S SUPPLY, INC.**, Conklin, NY (US)

(72) Inventor: **Jeffrey Schapiro**, Conklin, NY (US)

(73) Assignee: **CLEANER'S SUPPLY, INC.**, Conklin, NY (US)

(**) Term: **15 Years**

(21) Appl. No.: **29/638,196**

(22) Filed: **Feb. 26, 2018**

(51) **LOC (12) Cl.** **07-05**

(52) **U.S. Cl.**
USPC **D32/72**

(58) **Field of Classification Search**
USPC D32/70, 71, 73, 72, 69, 68, 35; D8/71, D8/373, 349, 396, 30; D15/144, 144.2; D28/73; 219/231, 242, 229; 165/80.1; 126/414
CPC D06F 75/34; D06F 75/08; D06F 75/38; D06F 75/00; F22B 27/14; B08B 3/006
See application file for complete search history.

(56) **References Cited**

U.S. PATENT DOCUMENTS

D98,165 S * 1/1936 Jepson D32/72
D122,271 S * 9/1940 Ketcham D32/72

D127,507 S * 5/1941 Russell D32/72
D132,154 S * 4/1942 Russell D32/72
D154,984 S * 8/1949 Binggely et al. D32/72
D300,576 S * 4/1989 Cartabbia D32/72
D328,163 S * 7/1992 Mishan D32/72
D381,154 S * 7/1997 Loomis D32/72
D389,628 S * 1/1998 Naft D32/72

* cited by examiner

Primary Examiner — Austin Murphy

(74) *Attorney, Agent, or Firm* — Epstein Drangel LLP; Robert L. Epstein

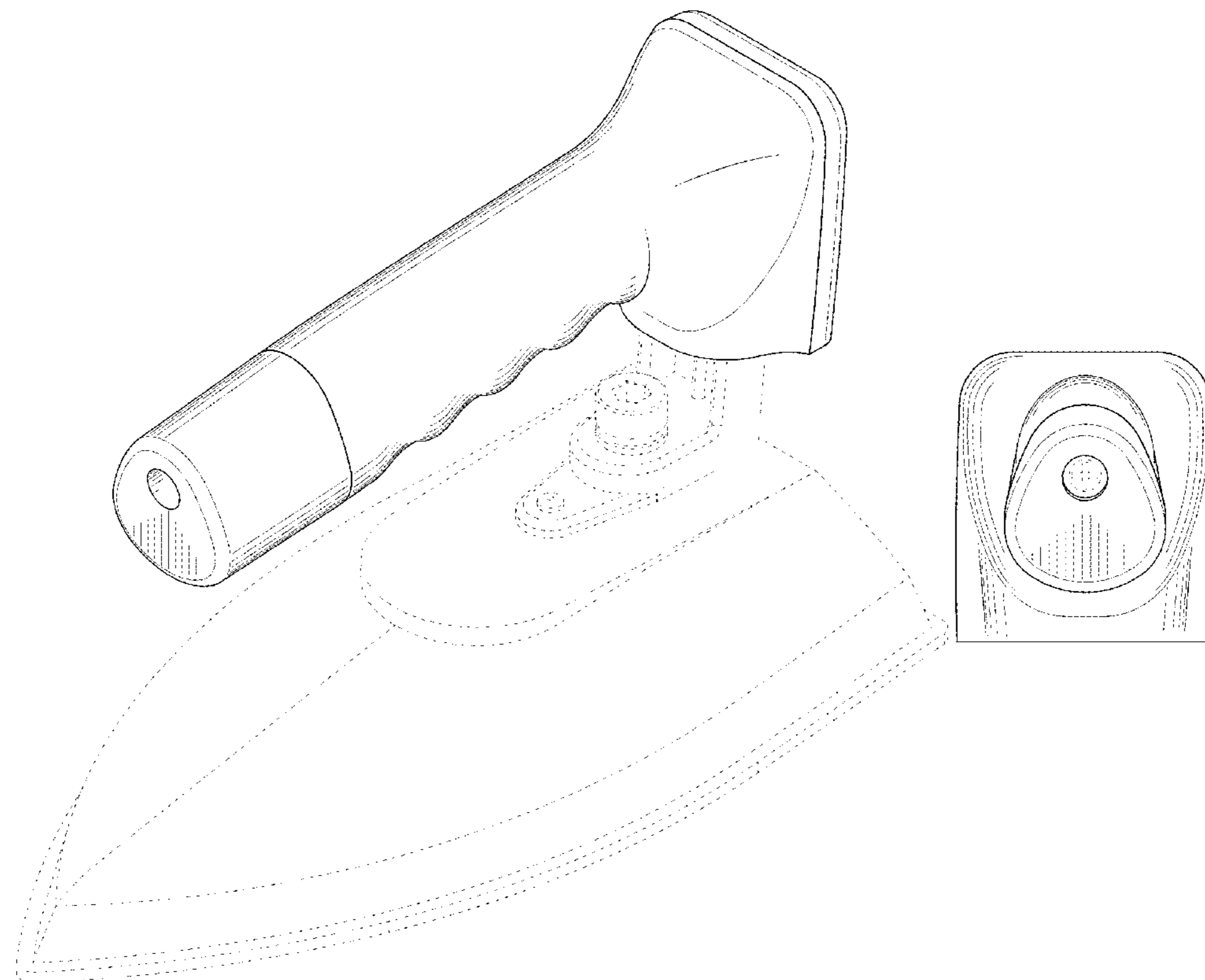
(57) **CLAIM**

An ornamental design for a handle grip of a clothes iron, substantially as shown and described.

DESCRIPTION

FIG. 1 is a perspective view showing the top, front and right side of my design for the handle grip for a clothes iron as it would appear mounted on an iron;
FIG. 2 is a front elevation view of my design;
FIG. 3 is a rear elevation view my design;
FIG. 4 is an elevation view showing the left side of my design;
FIG. 5 is an elevation view showing the right side of my design;
FIG. 6 is a top plan view of my design; and,
FIG. 7 is a bottom plan of my design.
The clothes iron depicted in broken lines in FIG. 1 does not constitute a part of the claimed design.

1 Claim, 4 Drawing Sheets



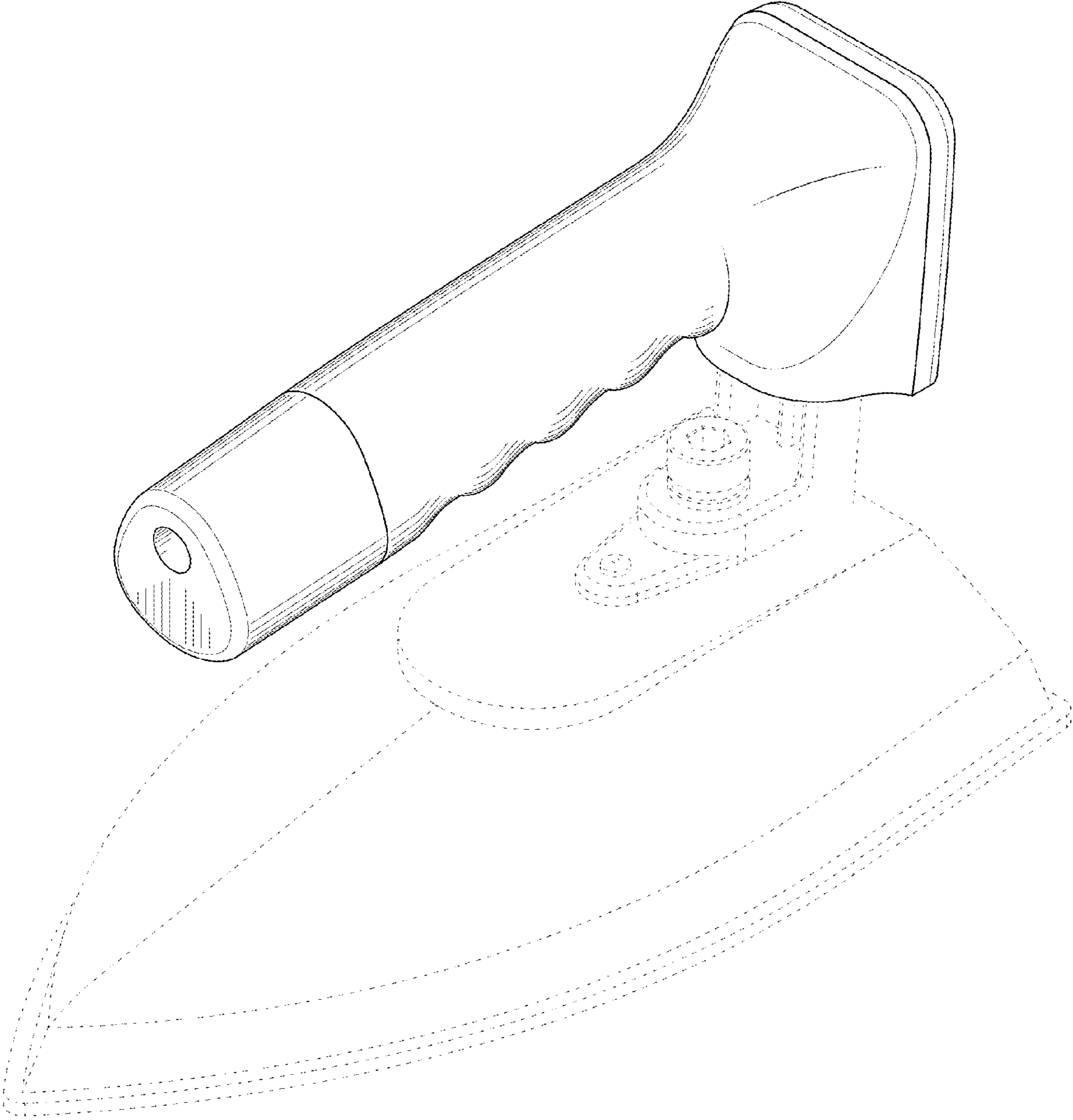


FIG. 1

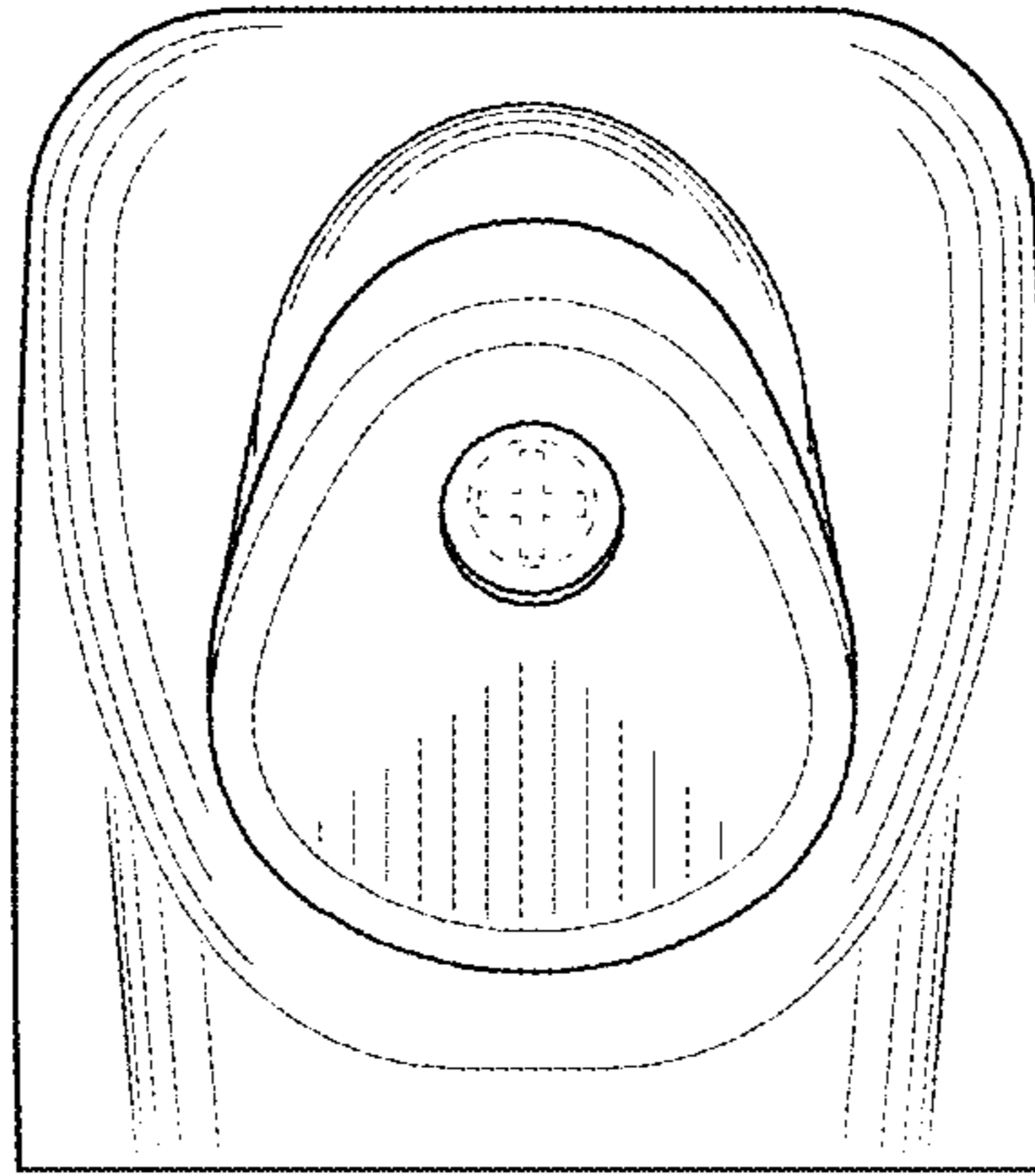


FIG. 2

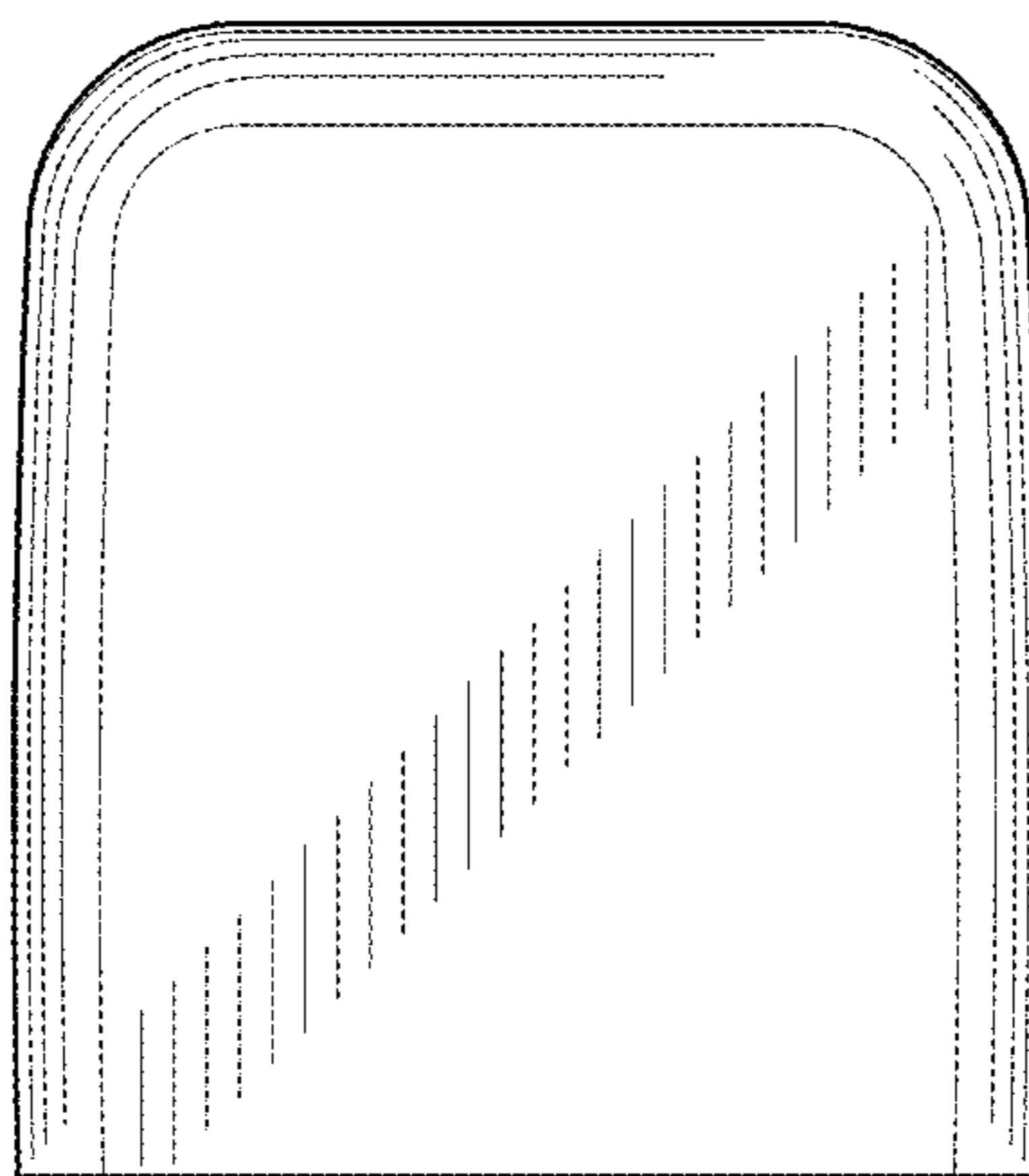


FIG. 3

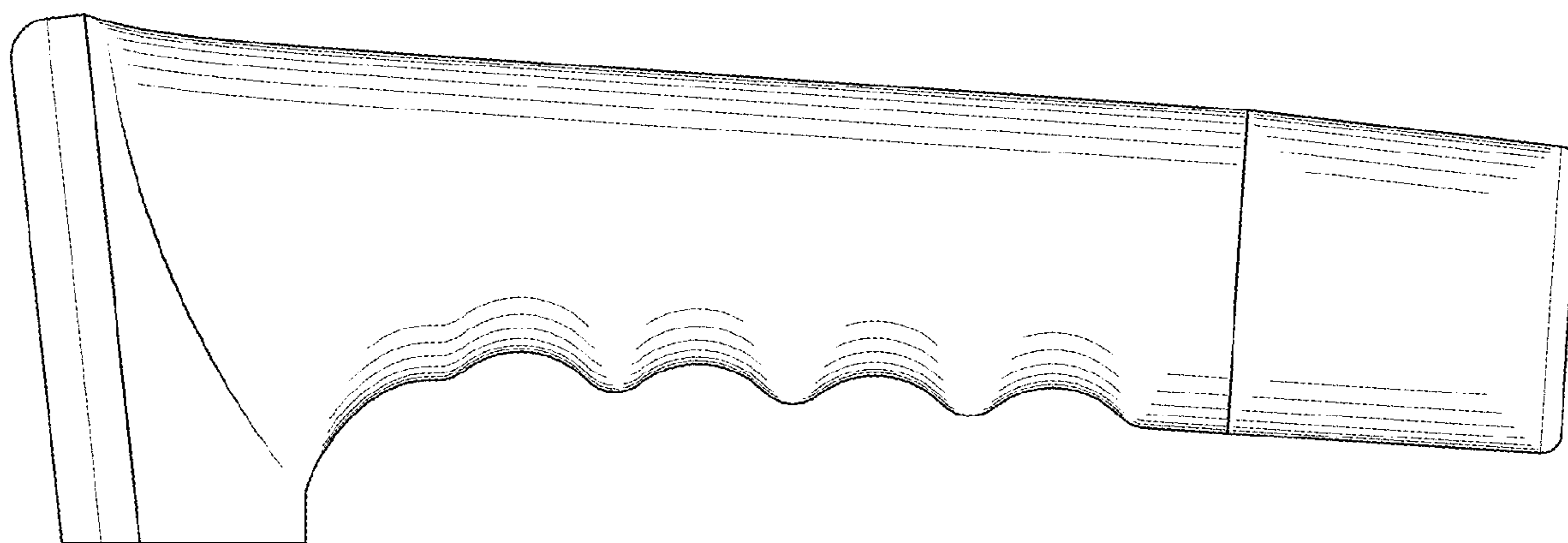


FIG. 4

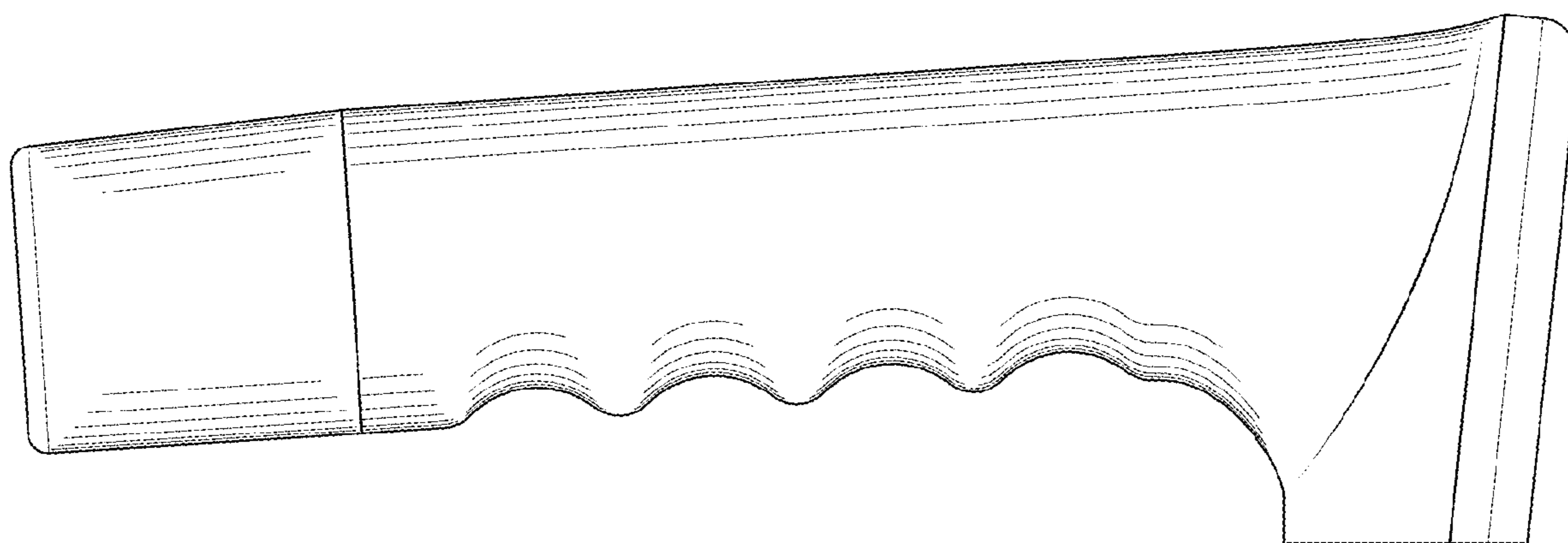


FIG. 5

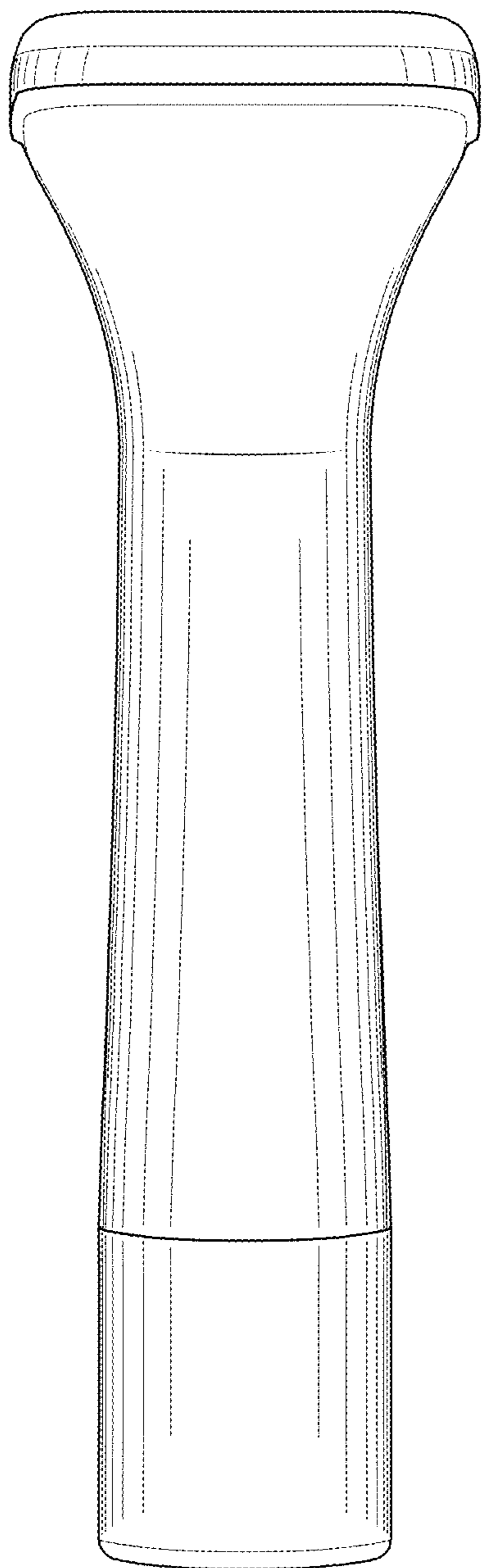


FIG. 6

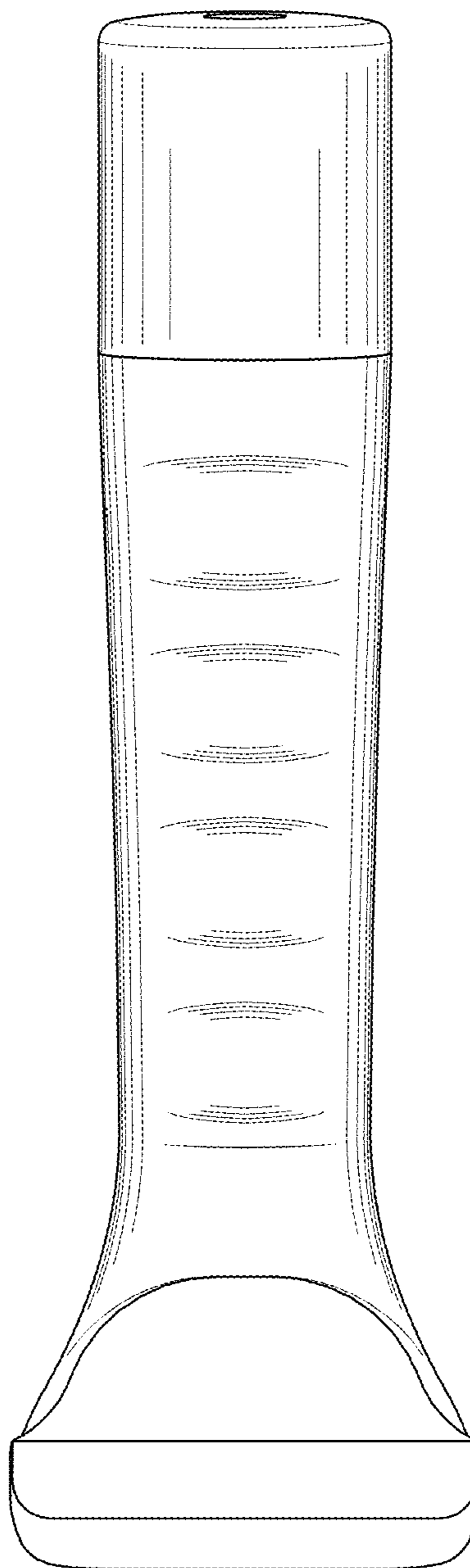


FIG. 7