



US00D876741S

(12) **United States Design Patent**  
**Kokubo**

(10) **Patent No.:** **US D876,741 S**

(45) **Date of Patent:** **\*\* Feb. 25, 2020**

(54) **WASH BOWL**

(71) Applicant: **KOKUBO & CO., LTD.**, Wakayama (JP)

(72) Inventor: **Yoshiaki Kokubo**, Wakayama (JP)

(73) Assignee: **KOKUBO & CO., LTD.**, Wakayama (JP)

(\*\*) Term: **15 Years**

(21) Appl. No.: **29/664,580**

(22) Filed: **Sep. 26, 2018**

(30) **Foreign Application Priority Data**

Apr. 26, 2018 (JP) ..... 2018-009257

(51) **LOC (12) Cl.** ..... **07-05**

(52) **U.S. Cl.**  
USPC ..... **D32/53**

(58) **Field of Classification Search**  
USPC ..... D32/53, 53.1, 54; D3/304, 307, 315;  
D23/284, 288, 290

CPC ..... B44D 3/123; B44D 3/128; B44D 3/12;  
A47L 13/142; A47L 13/58; B65D 25/14  
See application file for complete search history.

(56) **References Cited**

**U.S. PATENT DOCUMENTS**

- 3,447,715 A \* 6/1969 Beney ..... B65D 21/045  
206/507
- 3,680,735 A \* 8/1972 Lucas ..... B65D 21/0215  
206/511
- 4,029,209 A \* 6/1977 Frahm ..... B65D 21/0213  
206/510
- D250,459 S \* 12/1978 Fields ..... D34/38
- 5,046,636 A \* 9/1991 Coskery ..... B65D 1/40  
220/555
- D326,345 S \* 5/1992 Mandell ..... D3/312

- D335,730 S \* 5/1993 Tessner ..... D34/1
- D342,817 S \* 12/1993 Lippisch ..... D34/1
- D362,525 S \* 9/1995 Kruger ..... D34/1
- D373,873 S \* 9/1996 Nguyen ..... D34/1
- D382,405 S \* 8/1997 Ohayon ..... D19/75
- D467,052 S \* 12/2002 Van Landingham, Jr. .... D34/1
- D467,397 S \* 12/2002 McCoy ..... B65D 1/40  
D12/162
- D517,264 S \* 3/2006 Wheeler ..... D32/37
- D625,961 S \* 10/2010 Kent ..... B65D 21/0213  
D7/545
- D656,367 S \* 3/2012 Segal ..... B65D 21/0215  
D7/629
- D708,017 S \* 7/2014 Carlson ..... D7/602
- D825,923 S \* 8/2018 Suomela ..... B65D 21/045  
D3/304

\* cited by examiner

*Primary Examiner* — Sheryl Lane

*Assistant Examiner* — Calvin E Vansant

(74) *Attorney, Agent, or Firm* — Culpepper IP, LLLC;  
Kerry S. Culpepper

(57) **CLAIM**

I claim the ornamental design for a wash bowl, as shown.

**DESCRIPTION**

FIG. 1 is a front view;  
 FIG. 2 is a rear view;  
 FIG. 3 is a right side view;  
 FIG. 4 is a left side view;  
 FIG. 5 is a top plan view;  
 FIG. 6 is a bottom plan view;  
 FIG. 7 is a cross-sectional view along lines A-A of FIG. 3;  
 and,  
 FIG. 8 a perspective view.

Any broken lines shown represent unclaimed subject matter and form no part of the claimed design. Additionally, the unevenly broken lines in the drawings define the boundaries of the claimed design.

**1 Claim, 4 Drawing Sheets**

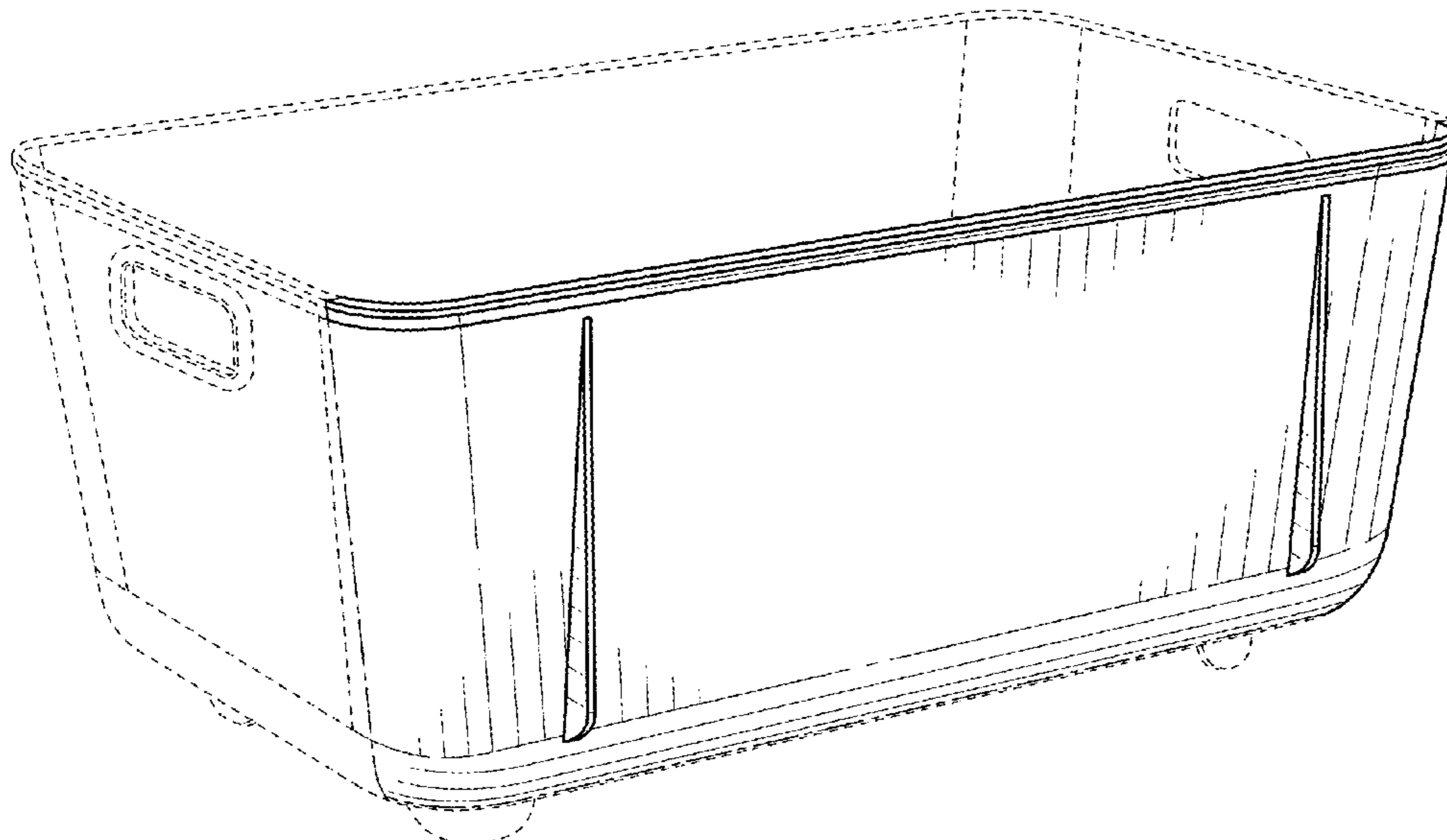


FIG. 1

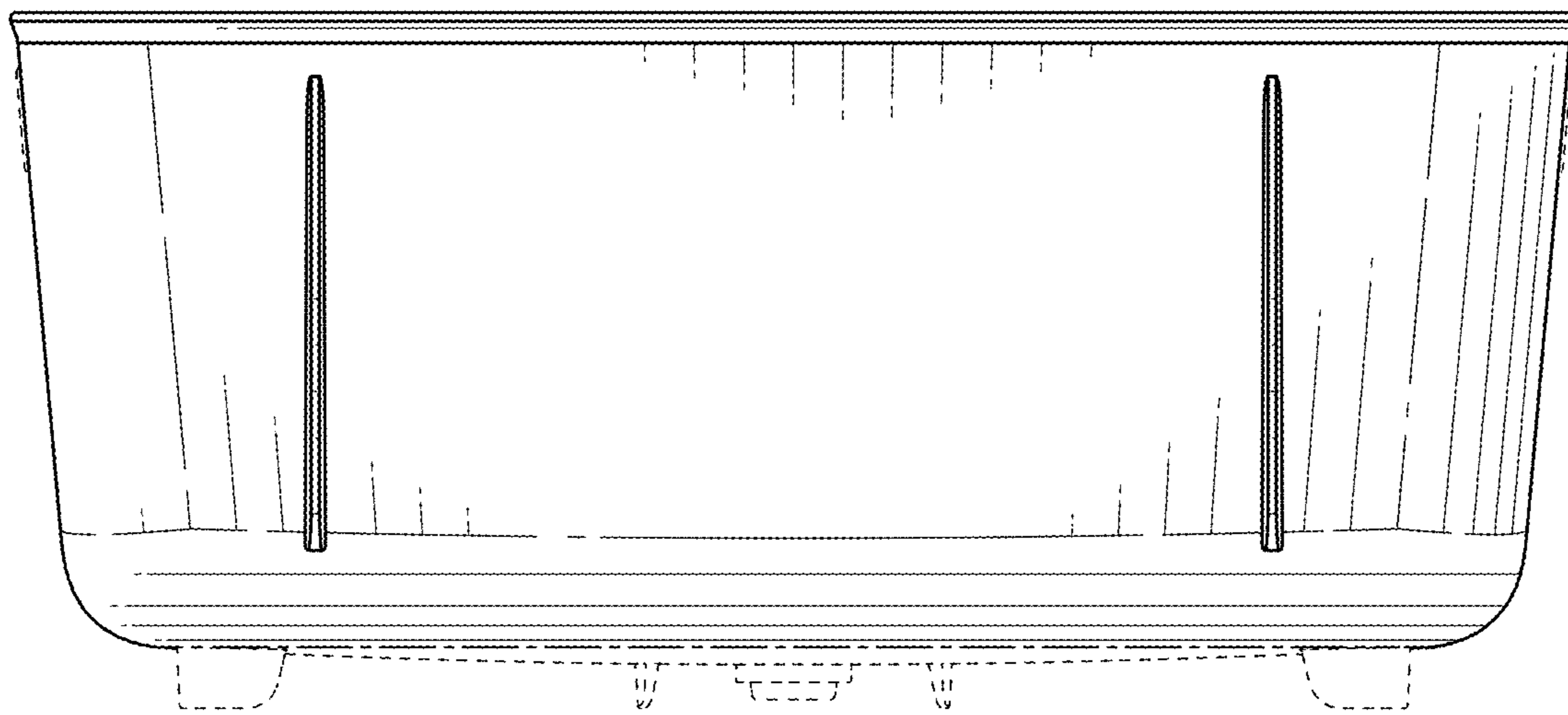


FIG. 2

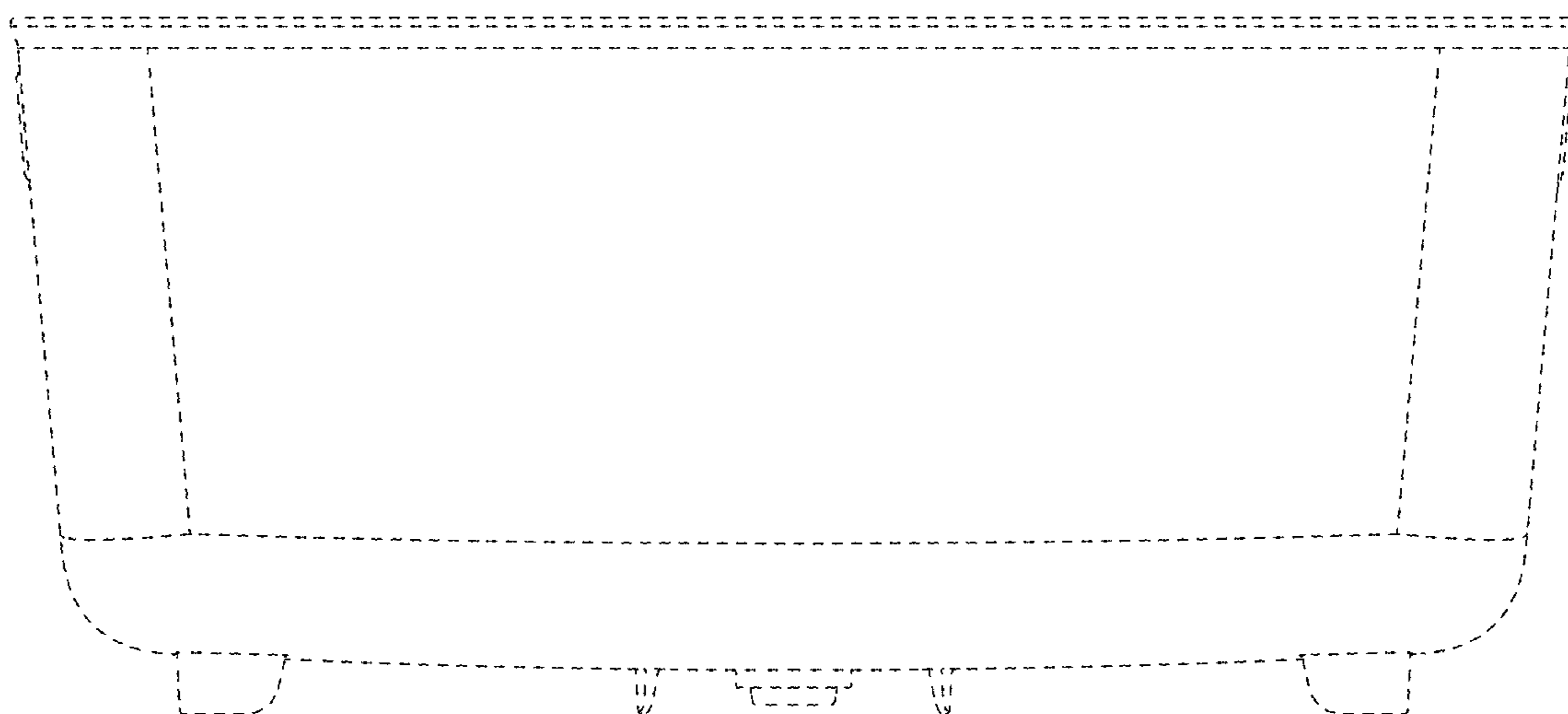


FIG. 3

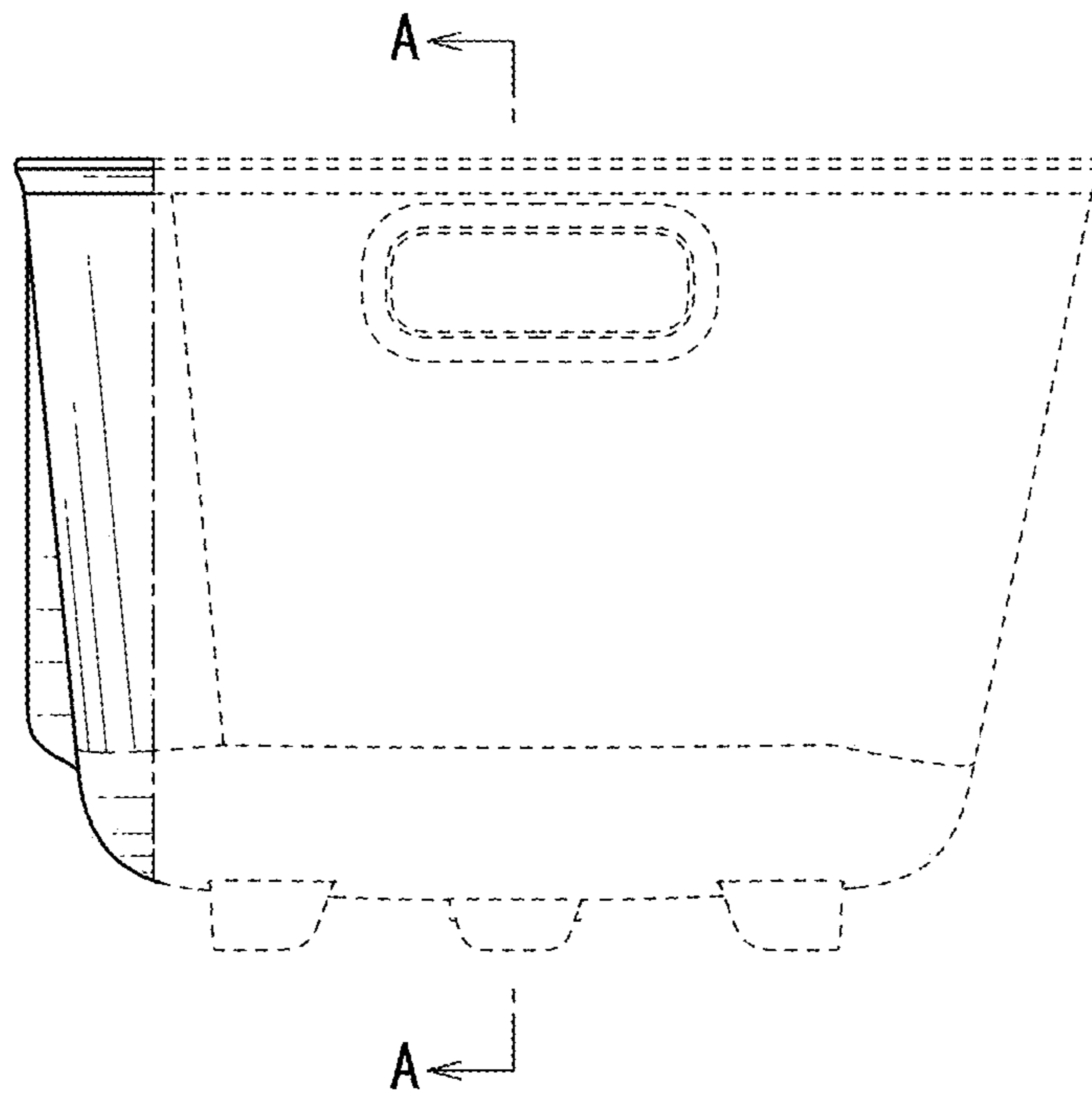


FIG. 4

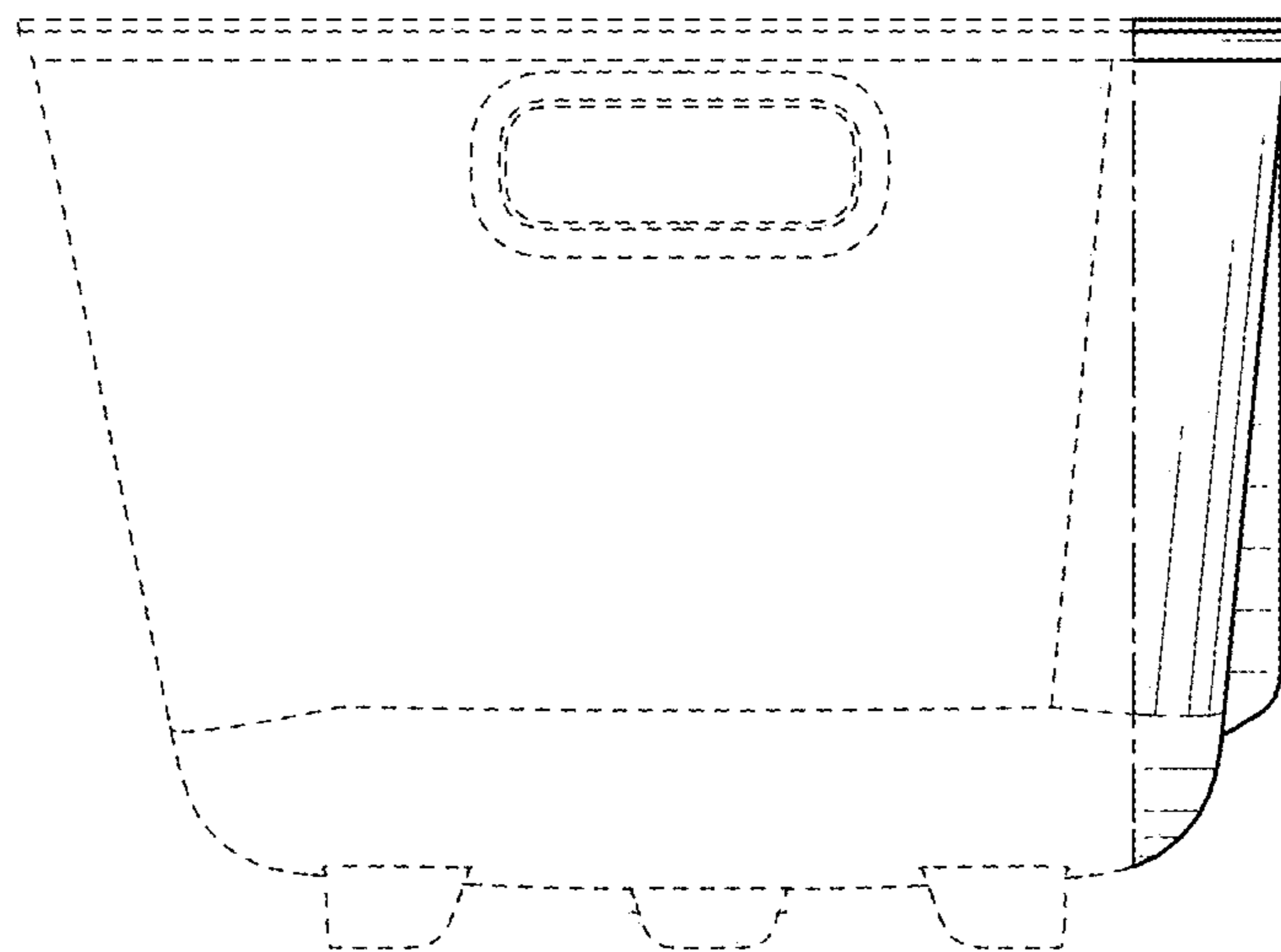


FIG. 5

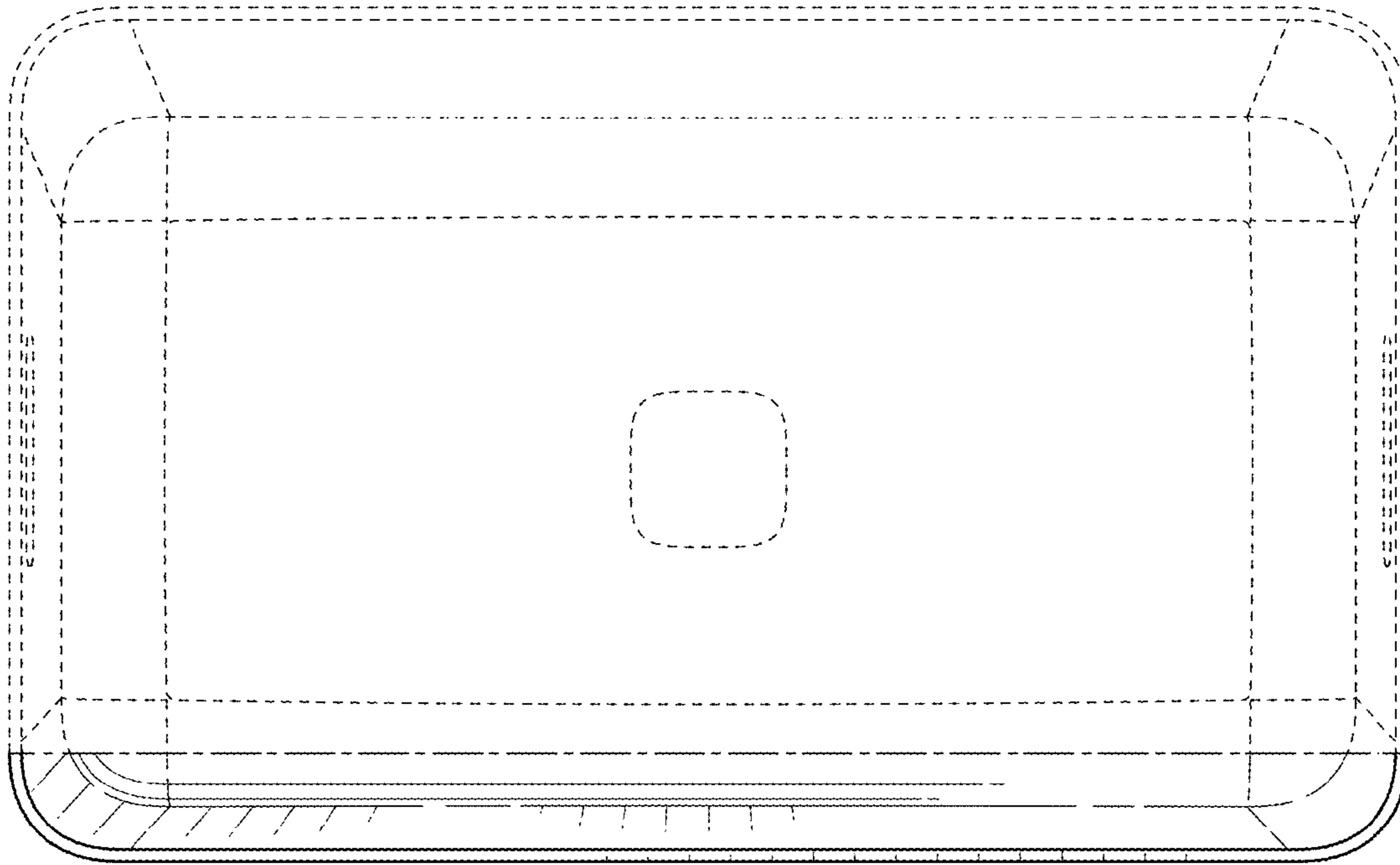


FIG. 6

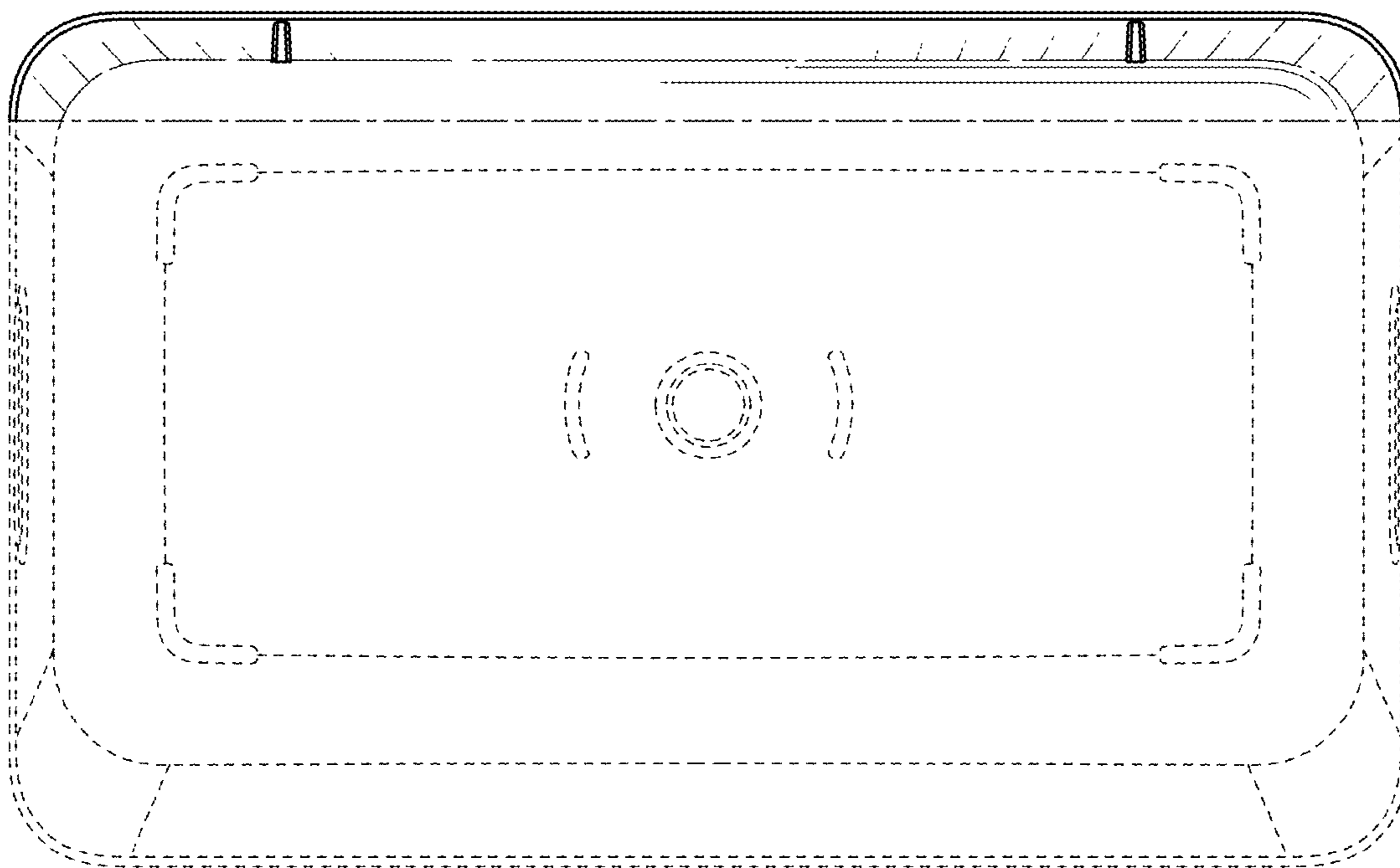


FIG. 7

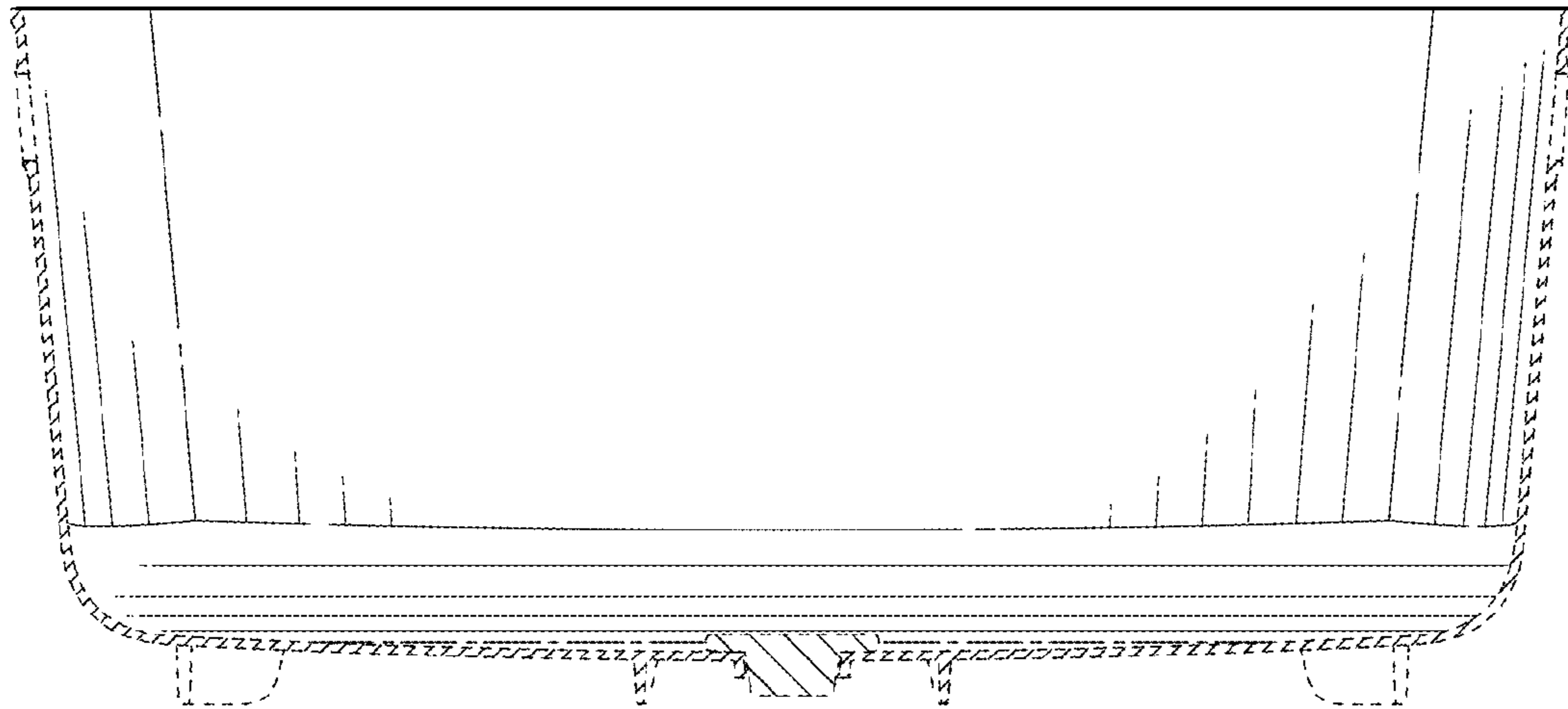


FIG. 8

