



US00D876738S

(12) **United States Design Patent**  
**Wall et al.**

(10) **Patent No.:** **US D876,738 S**  
(45) **Date of Patent:** **\*\* Feb. 25, 2020**

- (54) **WET/DRY VACUUM CLEANER**
- (71) Applicant: **Emerson Electric Co.**, St. Louis, MO (US)
- (72) Inventors: **Alex J. Wall**, St. Louis, MO (US);  
**Mark J. Tomasiak**, St. Peters, MO (US)
- (73) Assignee: **Emerson Electric Co.**, St. Louis, MO (US)
- (\*\*) Term: **15 Years**
- (21) Appl. No.: **29/645,957**
- (22) Filed: **Apr. 30, 2018**
- (51) **LOC (12) Cl.** ..... **15-05**
- (52) **U.S. Cl.**  
USPC ..... **D32/31**
- (58) **Field of Classification Search**  
USPC ..... D32/21–23, 31, 34  
CPC . A47L 5/362; A47L 5/365; A47L 5/28; A47L 5/32; A47L 5/36; A47L 7/0004; A47L 7/0038; A47L 11/29; A47L 11/30  
See application file for complete search history.

- D492,824 S \* 7/2004 Tomasiak ..... D32/23
- D494,327 S \* 8/2004 Song ..... D32/21
- D519,251 S \* 4/2006 Hoshino ..... D32/23
- D520,689 S 5/2006 Eccardt et al.
- D528,256 S 9/2006 Beth et al.
- D528,718 S 9/2006 Tomasiak et al.
- D537,992 S 3/2007 Hoshino
- D541,818 S 5/2007 Rhea et al.
- D549,903 S 8/2007 Eccardt et al.
- D551,681 S 9/2007 Rhea et al.
- D558,410 S 12/2007 Hill et al.
- D565,269 S 3/2008 Tomasiak et al.
- D577,164 S 9/2008 Williams et al.
- D580,115 S 11/2008 Theising et al.
- D595,910 S 7/2009 Hollis et al.
- D596,359 S 7/2009 Hollis et al.

(Continued)

**FOREIGN PATENT DOCUMENTS**

- CA ID87833 S 10/1999
- CA ID89522 S 5/2000

(Continued)

*Primary Examiner* — Ruth McInroy  
(74) *Attorney, Agent, or Firm* — Armstrong Teasdale LLP

(57) **CLAIM**

We claim the ornamental design for a wet/dry vacuum cleaner, as shown and described.

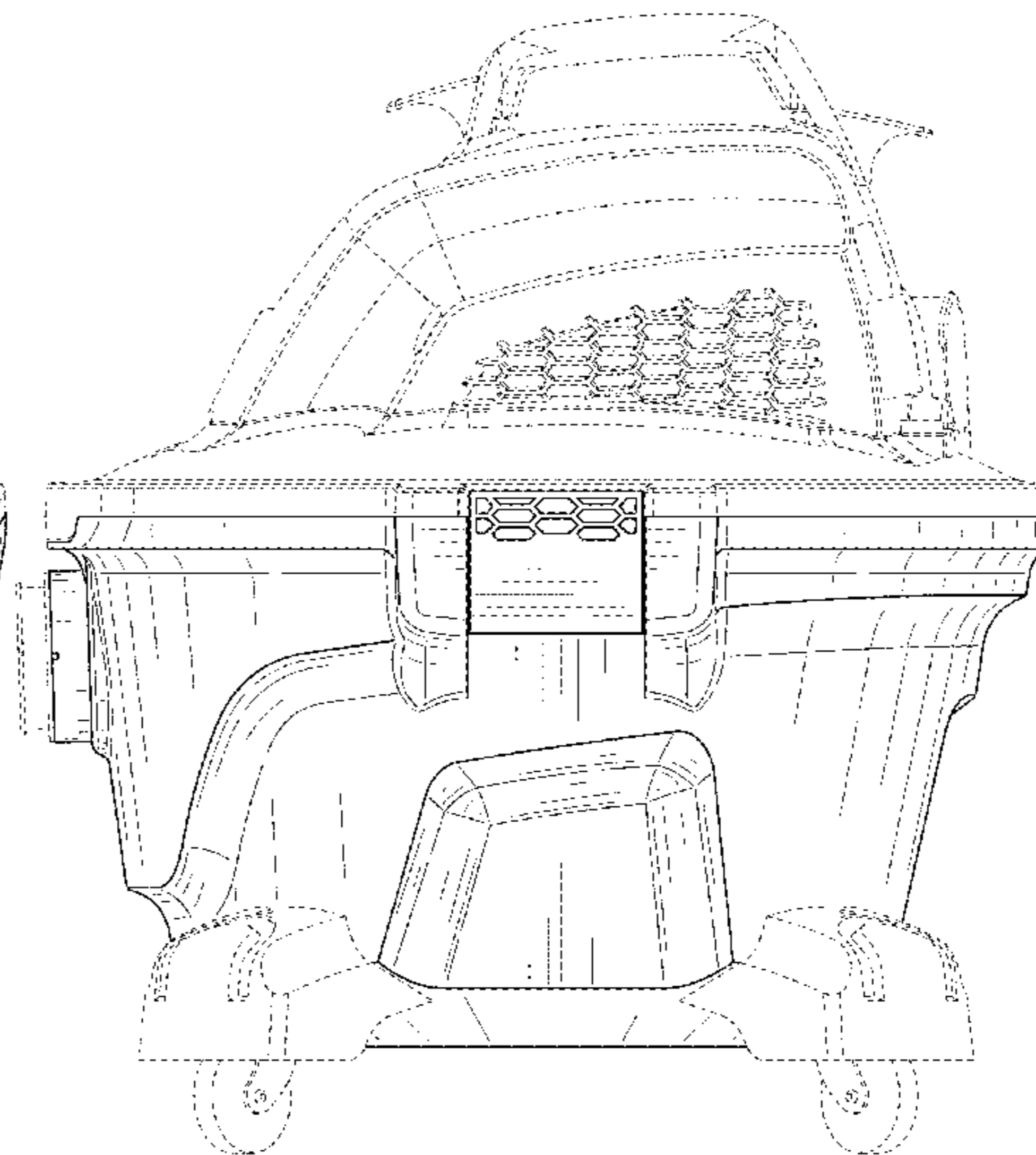
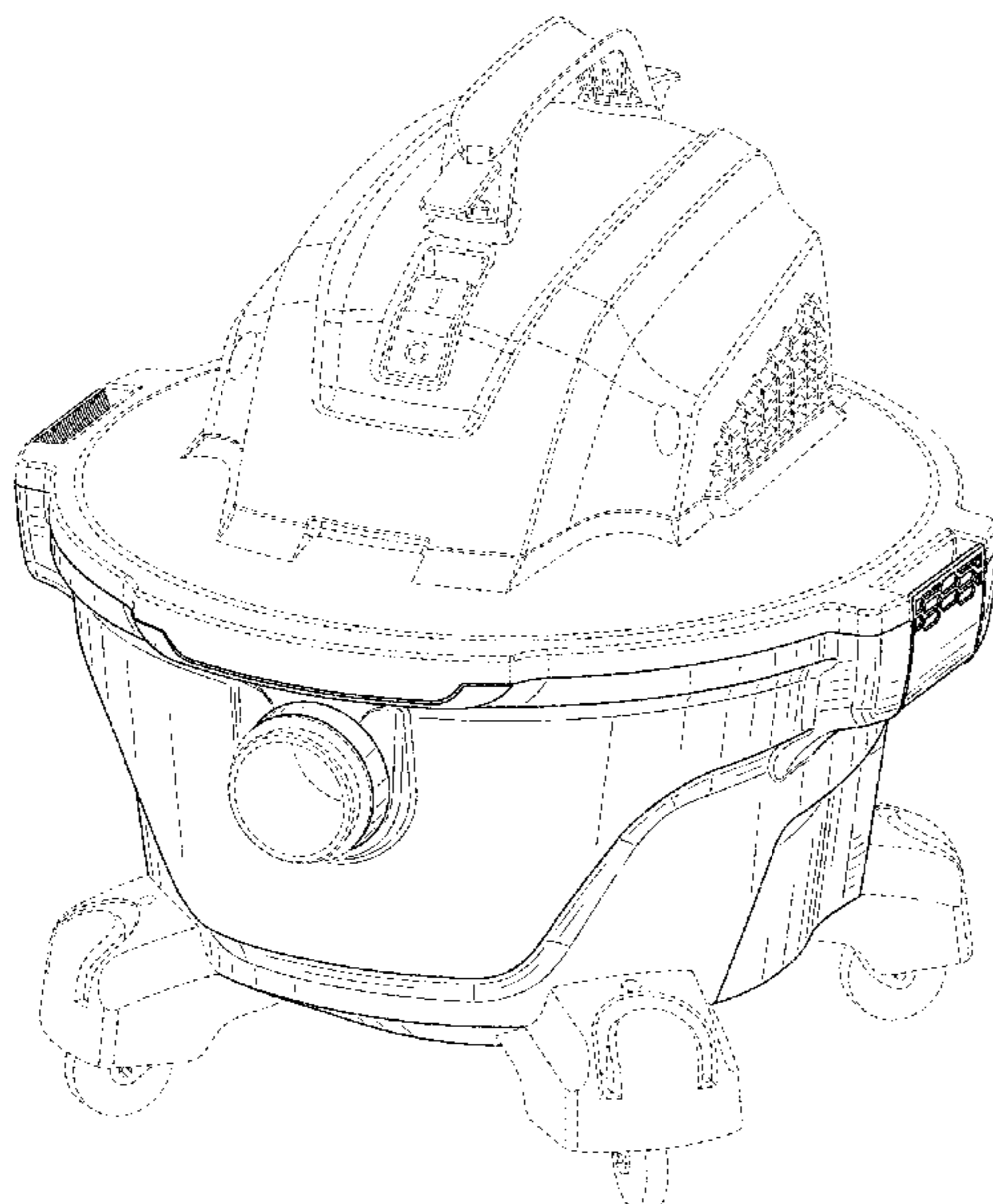
**DESCRIPTION**

FIG. 1 is a front perspective view of a wet/dry vacuum cleaner showing the new design.  
FIG. 2 is a front view thereof.  
FIG. 3 is a rear view thereof.  
FIG. 4 is a right side view thereof.  
FIG. 5 is a left side view thereof; and,  
FIG. 6 is a top view thereof.  
The details shown in broken lines form no part of the claimed design.

**1 Claim, 6 Drawing Sheets**

(56) **References Cited**  
U.S. PATENT DOCUMENTS

- D286,336 S \* 10/1986 Berfield ..... D32/23
- D361,179 S \* 8/1995 Moine ..... D32/23
- D362,091 S 9/1995 Tomasiak et al.
- D418,643 S 1/2000 Hoshino
- D429,394 S \* 8/2000 Griffin ..... D32/31
- D438,353 S 2/2001 Hoshino et al.
- D443,739 S 6/2001 Young et al.
- D445,549 S \* 7/2001 Griffin ..... D32/31
- D447,609 S 9/2001 Hult et al.
- D479,023 S 8/2003 Holsten et al.
- D486,280 S \* 2/2004 Holsten ..... D32/23
- D492,823 S \* 7/2004 Hoshino ..... D32/23



(56)

**References Cited**

U.S. PATENT DOCUMENTS

D614,369	S	4/2010	Theising et al.	
D615,259	S *	5/2010	Theising .....	D32/31
D617,514	S	6/2010	Hollis et al.	
D618,870	S	6/2010	Williams et al.	
D634,494	S	3/2011	Theising et al.	
D647,260	S	10/2011	Hollis et al.	
D647,261	S	10/2011	Schultz et al.	
D657,101	S	4/2012	Williams et al.	
D666,369	S	8/2012	Williams et al.	
D669,646	S	10/2012	Theising et al.	
D670,046	S	10/2012	Theising et al.	
D670,048	S	10/2012	Theising et al.	
D676,205	S	2/2013	Theising et al.	
D740,504	S	10/2015	Williams et al.	
D743,655	S	11/2015	Holsten et al.	
9,192,270	B2 *	11/2015	Westbrook .....	A47L 7/0038
9,468,345	B2 *	10/2016	Zhu .....	A47L 5/365
9,492,047	B2 *	11/2016	Marsden .....	A47L 5/365
9,668,625	B2 *	6/2017	Wolford .....	A47L 5/14
10,092,148	B2 *	10/2018	Gierer .....	A47L 5/22

FOREIGN PATENT DOCUMENTS

CA	ID89523	S	5/2000
CA	ID90731	S	10/2000

\* cited by examiner

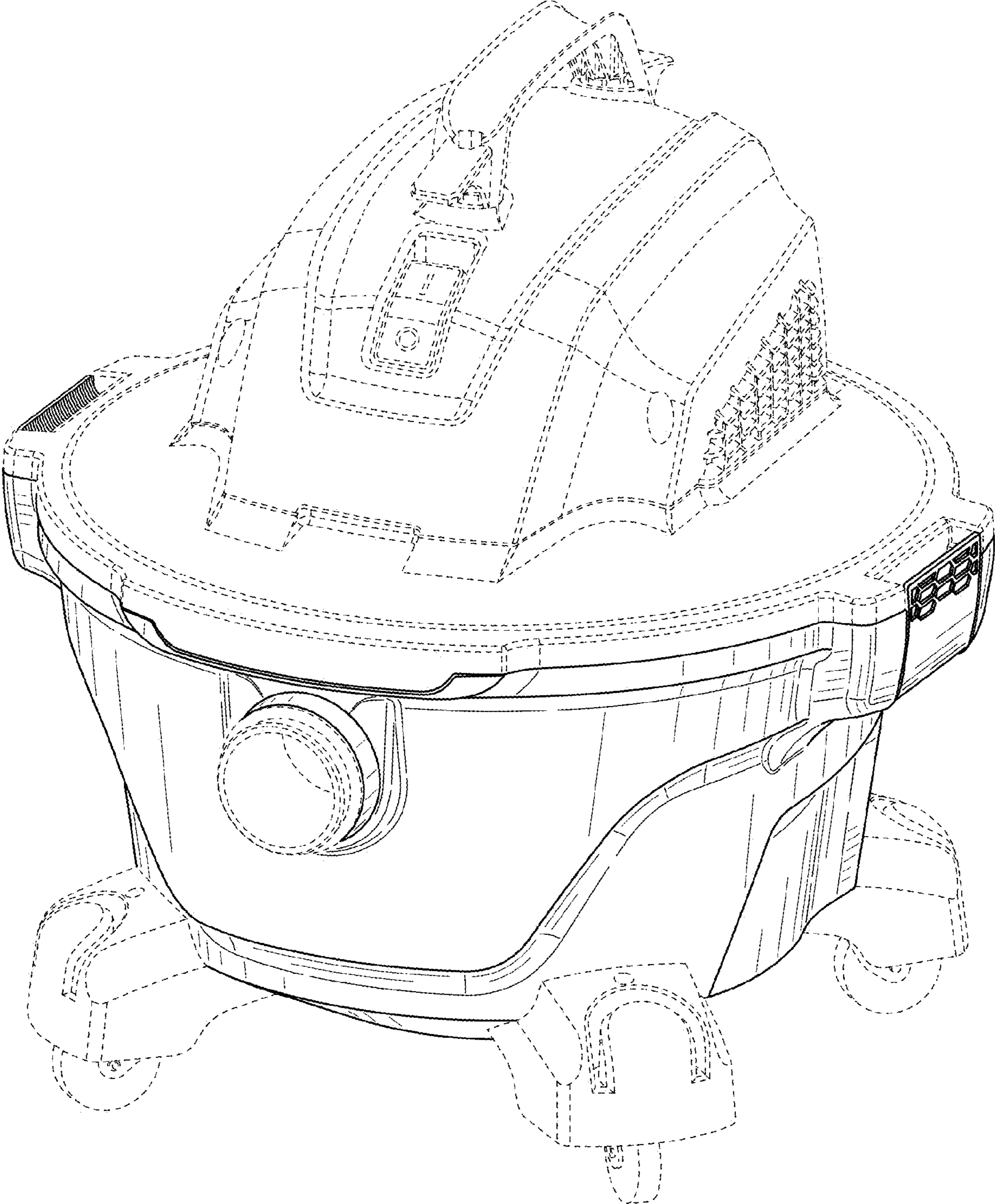


FIG. 1

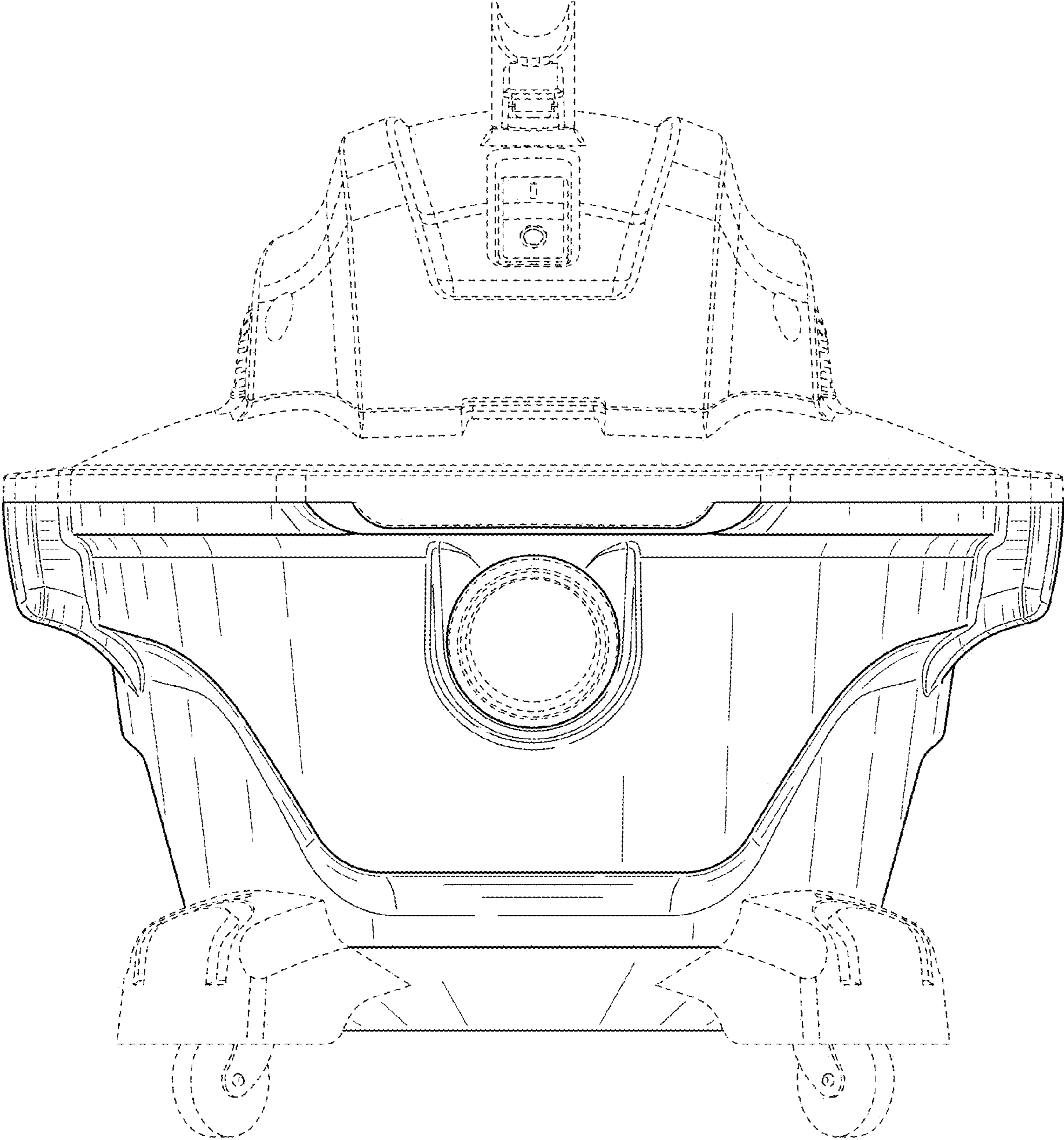


FIG. 2

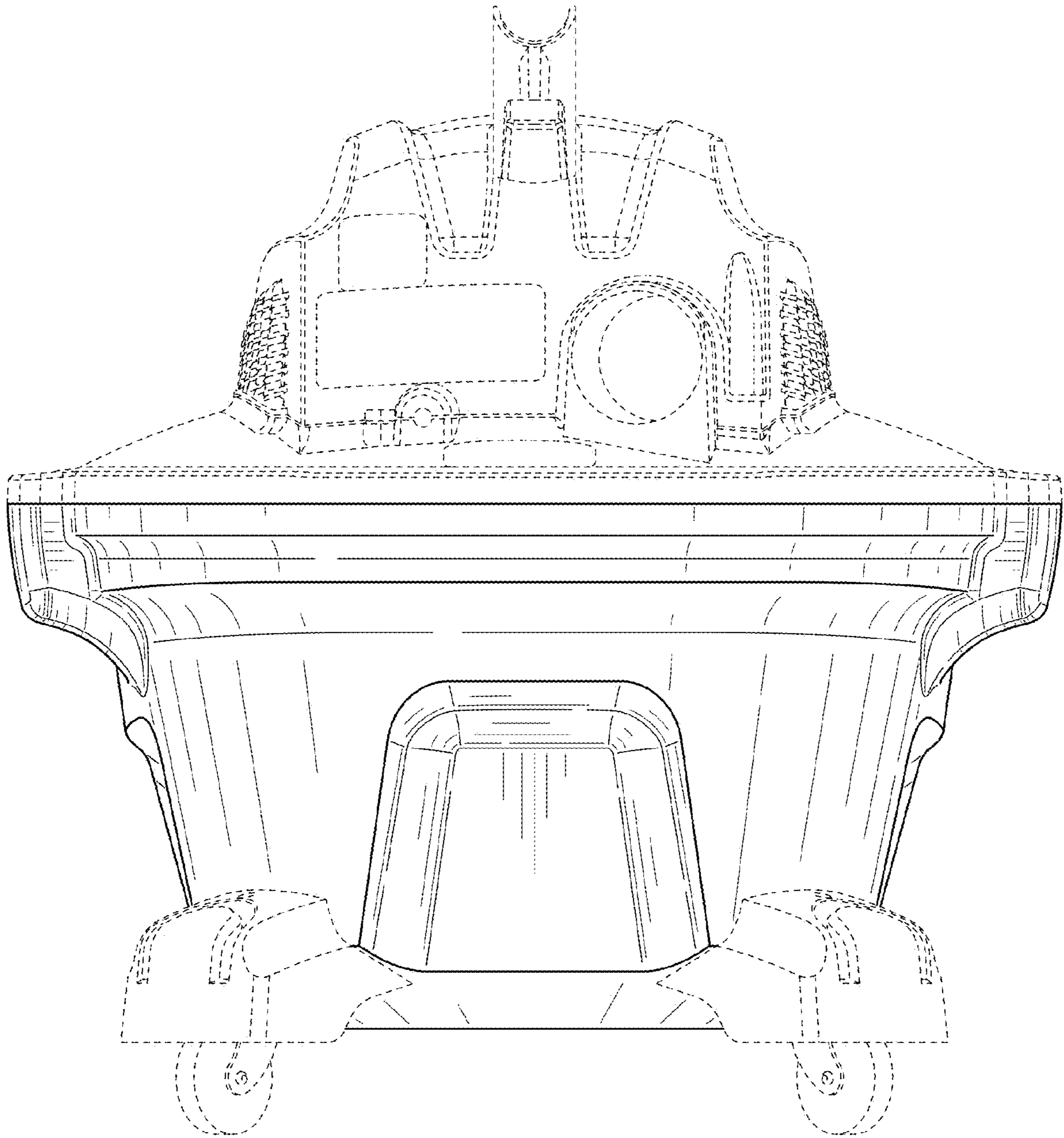


FIG. 3

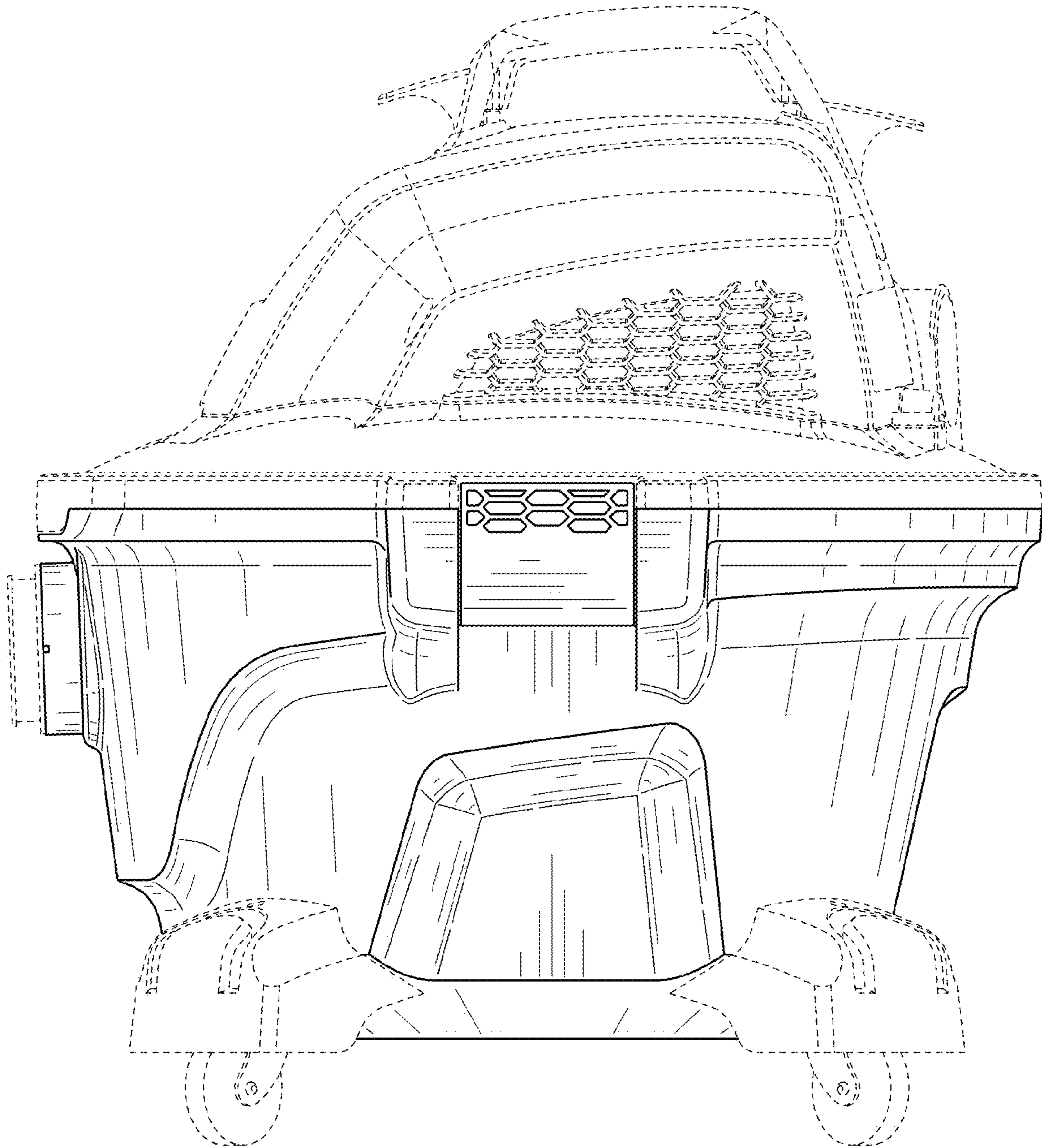


FIG. 4

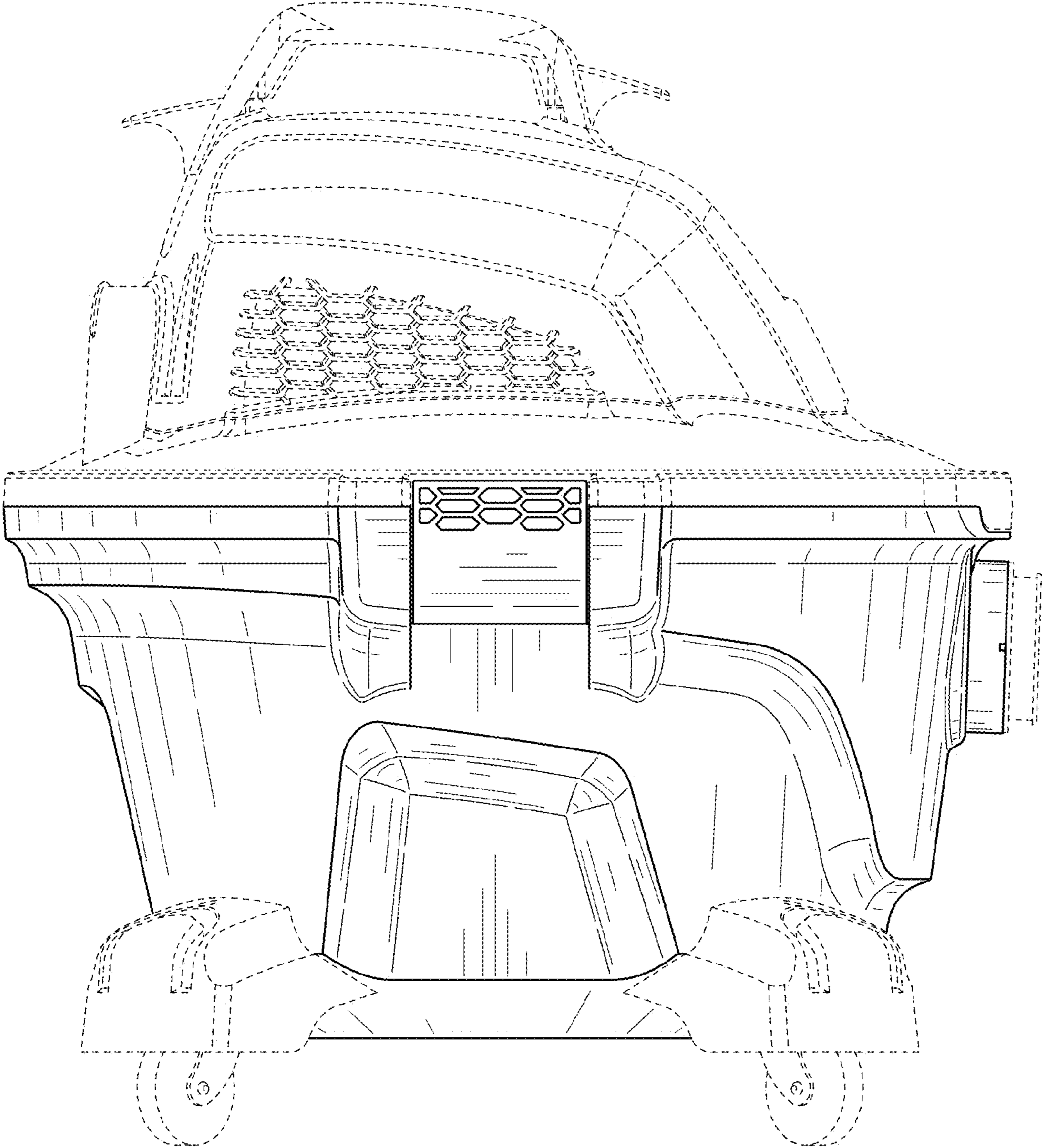


FIG. 5

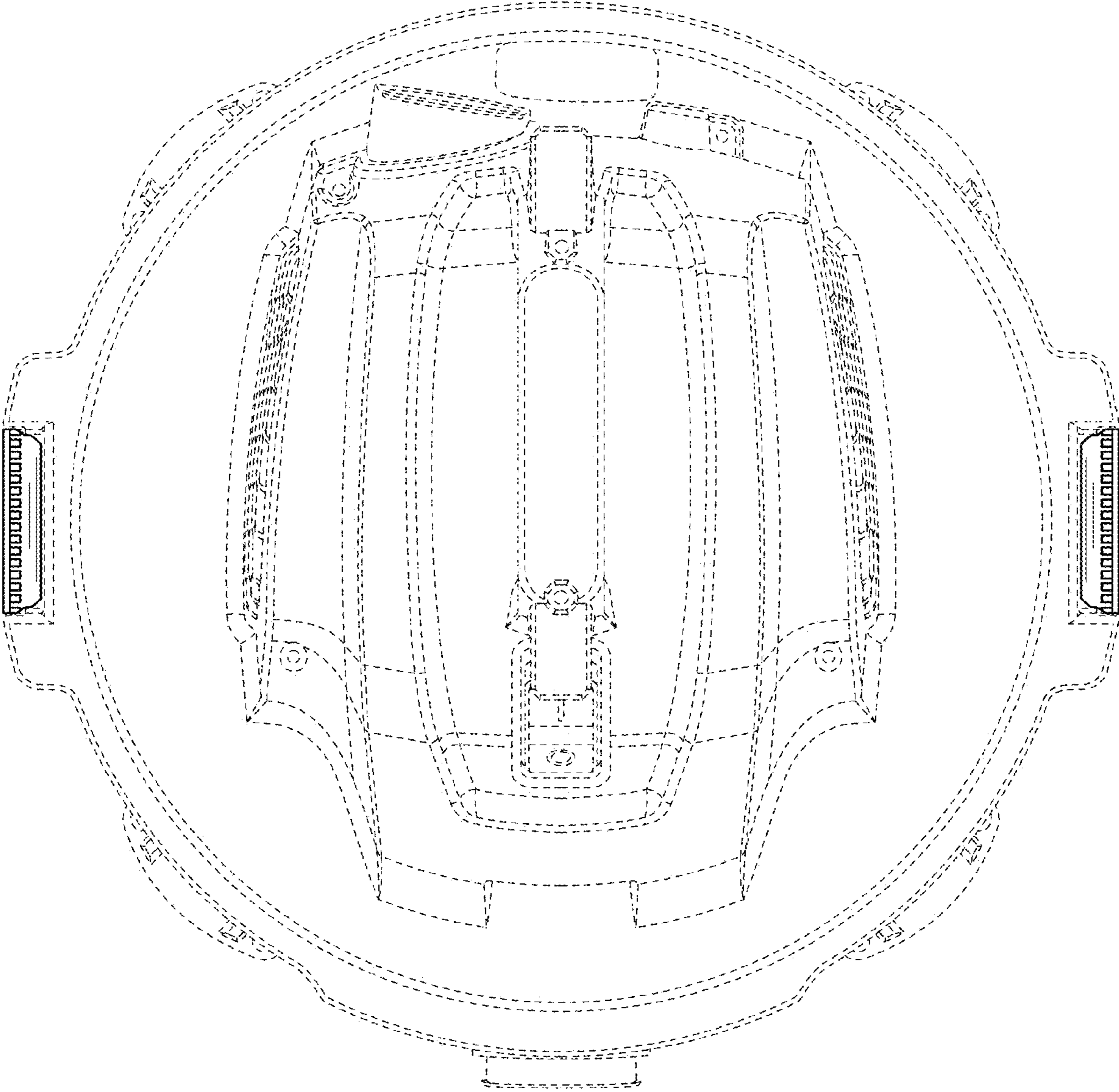


FIG. 6